



US00D797353S

(12) **United States Design Patent** (10) **Patent No.:** **US D797,353 S**  
**Stanley** (45) **Date of Patent:** **\*\* Sep. 12, 2017**

(54) **SEALED OPTICS AIR COOLED GROW LIGHT**

1,410,945 A 3/1922 Mayfield  
1,547,026 A 7/1925 Canney  
1,798,567 A 3/1931 Wagenhorst

(Continued)

(71) Applicant: **IP Holdings, LLC**, Vancouver, WA (US)

(72) Inventor: **John Stanley**, Vancouver, WA (US)

(73) Assignee: **IP Holdings, LLC**, Vancouver, WA (US)

(\*\*) Term: **15 Years**

(21) Appl. No.: **29/591,795**

(22) Filed: **Jan. 24, 2017**

**Related U.S. Application Data**

(60) Continuation of application No. 29/550,672, filed on Jan. 6, 2016, which is a division of application No. 29/493,634, filed on Jun. 11, 2014, now Pat. No. Des. 748,849.

(51) **LOC (10) Cl.** ..... **26-99**

(52) **U.S. Cl.**  
USPC ..... **D26/118**

(58) **Field of Classification Search**  
USPC ... D26/9, 10, 12, 13, 15, 16, 24, 51, 61, 72, D26/76, 80, 81, 85, 86, 88, 90, 113, 118, D26/119, 120, 122, 128, 129, 138, 143, D26/144  
CPC .... B60Q 1/04; B60Q 1/26; F21S 8/026; F21S 8/04; F21V 29/004; F21V 21/02; F21V 21/04; F21V 29/2212; F21V 7/22; F21V 29/83; F21V 37/002; F21V 7/00; F21L 19/00; F23D 11/443; F21Y 2101/02; A61L 9/037

See application file for complete search history.

(56) **References Cited**

**U.S. PATENT DOCUMENTS**

32,722 A 7/1861 Schmidlin  
D46,253 S 8/1914 Kopp

**FOREIGN PATENT DOCUMENTS**

CA 2034710 8/1991  
CA 1314529 3/1993

(Continued)

**OTHER PUBLICATIONS**

Apollo Horticulture GLRCTAC 6" Air Cool Tube Grow Light Deluxe Glass Cylinder with Hood Reflector, image post date Oct. 15, 2010, site visted Oct. 3, 2014, (online), <[http://www.amazon.com/apollo-horticulture-glrectac-cylinder-reflector/dp/b003qkvv04/ref=pd\\_sbs\\_lg\\_5?ie=utf8&refrid=1y9v9qhh4n5vnctjmftr](http://www.amazon.com/apollo-horticulture-glrectac-cylinder-reflector/dp/b003qkvv04/ref=pd_sbs_lg_5?ie=utf8&refrid=1y9v9qhh4n5vnctjmftr)>.

(Continued)

*Primary Examiner* — Brian N Vinson

(74) *Attorney, Agent, or Firm* — J. Douglas Wells

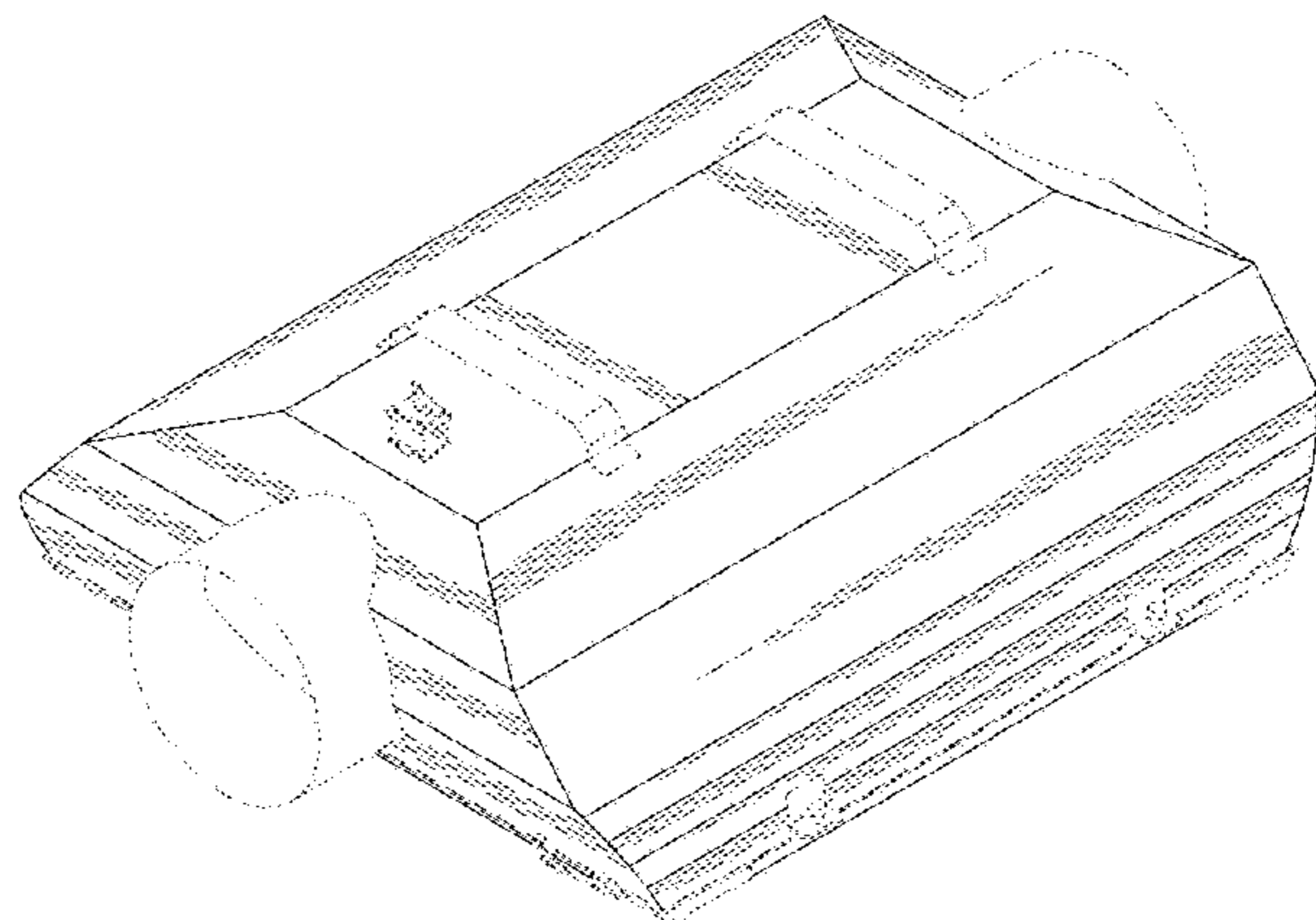
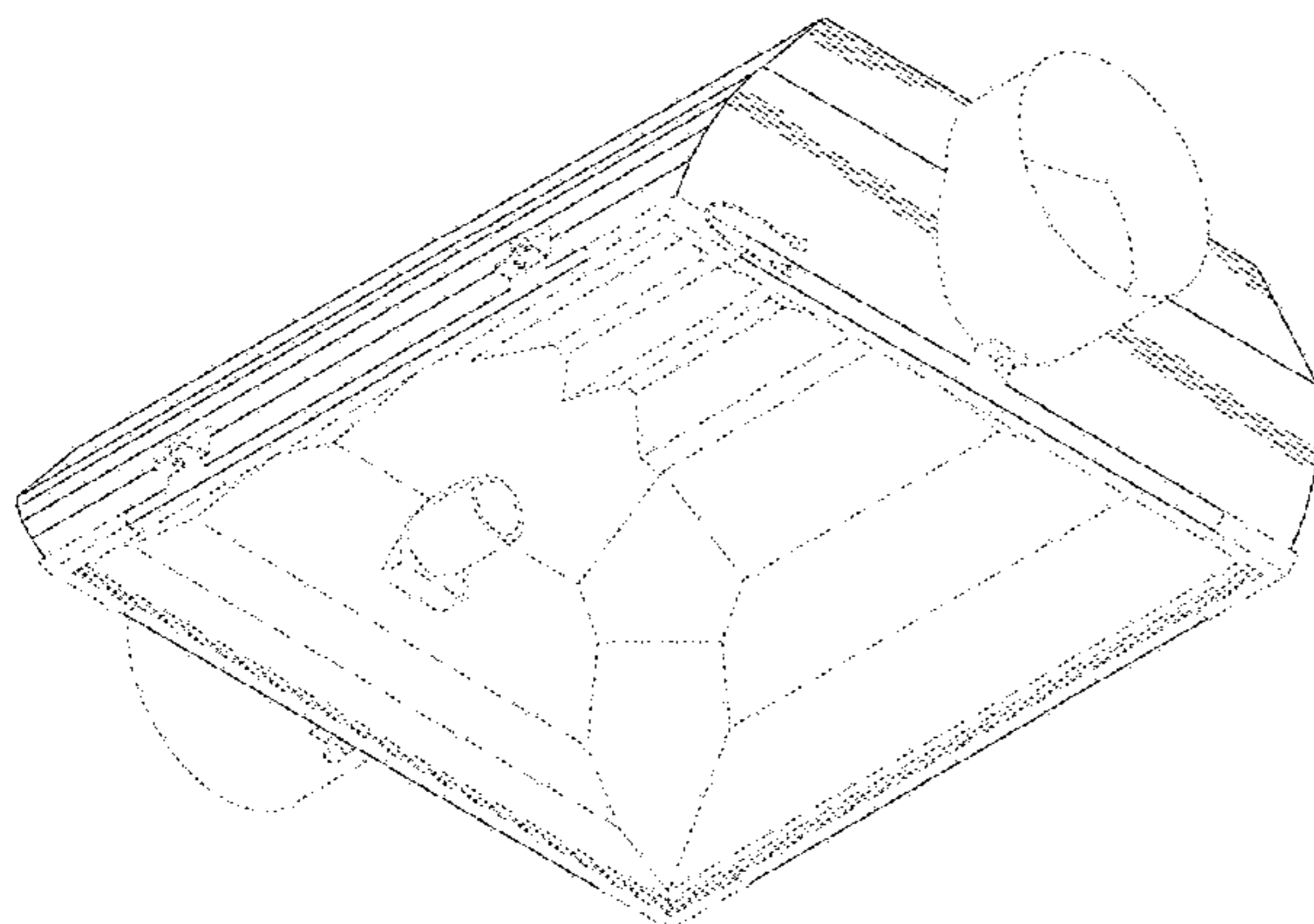
(57) **CLAIM**

The ornamental design for the sealed optics air cooled grow light, as shown and described.

**DESCRIPTION**

FIG. 1 is a bottom perspective view of a sealed optics air cooled grow light showing my new design; FIG. 2 is a top perspective view thereof; FIG. 3 is a left side view thereof; FIG. 4 is a right side view thereof; FIG. 5 is a front elevation view thereof; FIG. 6 is a rear elevation view thereof; FIG. 7 is a top plan view thereof; and, FIG. 8 is a bottom plan view thereof. The broken lines shown in the drawings illustrate portions of the sealed optics air cooled grow light which form no part of the claimed design.

**1 Claim, 6 Drawing Sheets**



(56)

References Cited

U.S. PATENT DOCUMENTS

D85,049 S	9/1931	Kopp	5,192,129 A	3/1993	Figueroa	
D85,382 S	10/1931	Guth	5,199,784 A	4/1993	Hempleman	
1,848,734 A	3/1932	Luce	5,253,152 A	10/1993	Yang	
1,873,310 A	8/1932	Doane	D349,358 S	8/1994	Herst	
1,930,070 A	10/1933	Zecher	5,353,746 A	10/1994	Del Rosario	
1,987,705 A	1/1935	Pedersen	D352,126 S *	11/1994	Ruud	D26/24
D106,614 S	10/1937	Waterbury	5,440,470 A	8/1995	Ly	
2,194,841 A	3/1940	Welch	5,461,554 A	10/1995	Leonetti	
D119,800 S	4/1940	Carter	D365,159 S	12/1995	Tinen	
D123,768 S	12/1940	Scribner	5,486,737 A	1/1996	Hrubowchak	
D125,559 S	3/1941	Biller	5,510,676 A	4/1996	Cottaar	
2,242,590 A	5/1941	Marcel	D373,000 S	8/1996	Brady	
D128,049 S	7/1941	Kurtz	5,555,162 A	9/1996	Shemitz	
D135,375 S	3/1943	Biller	D374,301 S	10/1996	Kleffman	
2,339,100 A	1/1944	Netting	5,568,680 A	10/1996	Parker	
2,348,617 A	5/1944	Furedy	5,570,947 A	11/1996	Felland	
D156,014 S	11/1949	Lazerson	D376,437 S	12/1996	Karlo	
2,492,946 A	1/1950	Barber	D377,993 S	2/1997	Herst	
D174,221 S	3/1955	Hatch	5,621,267 A	4/1997	Shaffner	
2,740,883 A	4/1956	Kruger	D383,243 S	9/1997	Fry	
2,741,694 A	4/1956	Wiig	5,698,947 A	12/1997	Choi	
2,998,511 A	8/1961	Chan	5,702,179 A	12/1997	Sidwell	
3,025,391 A	3/1962	Golko	D391,632 S	3/1998	Thomas	
D193,802 S	10/1962	Thomsen	D396,319 S	7/1998	Sutton	
D195,012 S	4/1963	Hoyle	D397,481 S	8/1998	Schafer	
3,125,301 A	3/1964	Stotter	D399,328 S	10/1998	Compton	
3,263,071 A	7/1966	Fabbri	D399,329 S	10/1998	Compton	
3,272,978 A	9/1966	Jackson	D399,587 S	10/1998	Compton	
3,322,946 A	5/1967	Cooper	D400,289 S	10/1998	Wardenburg	
3,420,995 A	1/1969	Dunckel	5,816,694 A	10/1998	Ideker	
D213,391 S	2/1969	Bruno	D401,006 S	11/1998	Edwards	
3,433,941 A	3/1969	Hall	D405,976 S	2/1999	Beall	
3,675,008 A *	7/1972	Hill	5,896,004 A	4/1999	Feldman	
			5,924,789 A	7/1999	Thornton	
		F21V 1/00	5,932,955 A	8/1999	Berger	
		362/355	5,938,317 A	8/1999	Thornton	
3,684,883 A	8/1972	Entwistle	D415,304 S	10/1999	Brown	
3,701,898 A *	10/1972	McNamara, Jr.	5,983,564 A	11/1999	Stragnola	
			5,987,697 A	11/1999	Song	
		F21V 7/05	5,999,943 A	12/1999	Nori	
		362/341	D418,626 S	1/2000	Herst	
3,755,667 A	8/1973	Price	D419,248 S *	1/2000	Lyons	D26/28
3,829,677 A	8/1974	DeLlano	6,024,468 A	2/2000	Kassay	
3,902,059 A *	8/1975	McNamara, Jr.	6,042,250 A	3/2000	Stragnola	
			6,051,927 A	4/2000	Graser	
		F21V 7/09	6,053,624 A	4/2000	Cronk	
		362/349	D425,237 S	5/2000	Scott	
3,911,265 A	10/1975	Landrum	D425,652 S	5/2000	Brok	
4,028,542 A	6/1977	McReynolds, Jr.	D426,010 S	5/2000	Compton	
D245,016 S	7/1977	Barr	6,061,690 A	5/2000	Nori	
4,037,096 A	7/1977	Brengord	6,065,849 A	5/2000	Chen	
4,078,169 A	3/1978	Armstrong	6,070,173 A	5/2000	Huber	
4,175,360 A	11/1979	Mulvey	6,076,944 A	6/2000	Maranon	
4,229,782 A	10/1980	Ruud	6,079,851 A	6/2000	Altman	
D259,738 S	6/1981	Boschetti	D428,516 S	7/2000	Reo	
4,308,573 A	12/1981	McNamara, Jr.	6,094,919 A	8/2000	Bhatia	
D262,659 S	1/1982	Laltta	6,111,739 A	8/2000	Wu	
D266,578 S	10/1982	Moshier	6,152,579 A	11/2000	Reed	
D268,287 S	3/1983	Boschetti	D439,008 S	3/2001	Kim	
D270,577 S	9/1983	DeVos	6,210,025 B1	4/2001	Schmidt	
4,446,506 A	5/1984	Larson	6,230,497 B1	5/2001	Morris	
4,531,180 A	7/1985	Hernandez	D443,198 S	6/2001	Snyder	
4,616,293 A	10/1986	Baliozian	D443,949 S	6/2001	DiMonte	
4,669,033 A	5/1987	Lee	6,247,830 B1	6/2001	Winnett	
D290,662 S	7/1987	Basil	D445,943 S	7/2001	Littman	
D300,877 S *	4/1989	Cyr	6,257,735 B1	7/2001	Baar	
			6,267,483 B1	7/2001	Hembery	
		D26/118	D447,272 S	8/2001	Smith	
4,855,884 A	8/1989	Richardson	6,279,012 B1	8/2001	Sexton	
4,893,221 A	1/1990	Friedman	6,299,327 B1	10/2001	Camarota	
4,933,821 A	6/1990	Anderson	D452,559 S	12/2001	Schonberger	
4,939,629 A	7/1990	Glanton	6,343,984 B1	2/2002	Langdon	
D311,597 S	10/1990	Poot	6,371,630 B1	4/2002	Unger	
4,970,428 A	11/1990	Hayakawa	D456,927 S	5/2002	Russello	
4,980,809 A	12/1990	Baldwin	D456,928 S	5/2002	Russello	
D316,301 S	4/1991	Michael	D456,938 S	5/2002	Wardenburg	
5,006,752 A	4/1991	Eggink	D457,450 S	5/2002	Lamond et al.	
5,065,294 A	11/1991	Poot	D459,825 S	7/2002	Field	
5,072,349 A	12/1991	Waniga	6,488,387 B2	12/2002	Wardenburg	
D323,897 S	2/1992	Compton				
5,088,015 A	2/1992	Baggio				
D329,104 S	9/1992	Dieperink				
D330,438 S	10/1992	Herst				

(56)

References Cited

U.S. PATENT DOCUMENTS

D469,564 S	1/2003	Brok	D633,247 S	2/2011	Kong	
6,527,422 B1	3/2003	Hutchison	D633,640 S	3/2011	Wauters	
6,548,948 B1	4/2003	Muessli	D634,060 S	3/2011	Wardenburg	
6,595,662 B2	7/2003	Wardenburg	D634,240 S	3/2011	Junkeer	
6,601,972 B2	8/2003	Sei	D634,468 S	3/2011	Hargreaves	
6,658,652 B1	12/2003	Alexander	D634,469 S	3/2011	Hargreaves	
6,679,619 B2	1/2004	Saieva	D637,162 S	5/2011	Bridgman	
D486,593 S	2/2004	Griffin	D637,341 S *	5/2011	Wardenburg	D26/118
6,688,759 B1	2/2004	Hadjimichael	D637,752 S	5/2011	Mekhtarian	
6,709,131 B1	3/2004	Herst	D640,404 S	6/2011	Chipperfield	
6,729,383 B1	5/2004	Cannell	7,959,331 B2	6/2011	Ho	
6,783,263 B1	8/2004	Cronk	D641,100 S	7/2011	Li	
D496,121 S	9/2004	Santoro	7,972,044 B2	7/2011	Burkhauser	
D499,504 S	12/2004	Meyer	D644,185 S	8/2011	Hargreaves	
D499,505 S	12/2004	Benensohn	7,987,632 B2	8/2011	May	
D504,343 S	4/2005	Ek	8,018,630 B2	9/2011	Herloski	
6,885,134 B2	4/2005	Kurashima	8,038,318 B2	10/2011	Plunk	
6,908,212 B2	6/2005	Schultz	D648,652 S	11/2011	Hawkins	
7,011,424 B1	3/2006	Poulson	D649,685 S	11/2011	Trzesniowski	
7,083,309 B2	8/2006	Chan	D650,515 S *	12/2011	Bradley, Jr.	D26/118
7,101,060 B2	9/2006	Oppenheimer	D650,935 S	12/2011	Beghelli	
7,131,753 B1	11/2006	Edwards, Jr.	8,113,696 B2	2/2012	Striebel	
7,156,539 B2	1/2007	Cronk	D655,403 S	3/2012	Zakula	
7,175,309 B2	2/2007	Craw	D657,748 S	4/2012	Hargreaves	
D542,460 S	5/2007	Hargreaves	D660,252 S	5/2012	Hargreaves	
D543,652 S	5/2007	Hargreaves	D661,370 S	6/2012	Zock	
D543,654 S	5/2007	Hargreaves	D661,833 S	6/2012	Imajo	
D543,655 S	5/2007	Hargreaves	8,209,912 B2	7/2012	Hargreaves	
7,213,948 B2	5/2007	Hein	8,215,799 B2	7/2012	Vanden Eynden	
D544,136 S	6/2007	Hargreaves	D667,584 S	9/2012	Beghelli	
D544,138 S	6/2007	Hargreaves	D668,370 S	10/2012	Guercio	
D544,139 S	6/2007	Hargreaves	D671,259 S	11/2012	Chen	
D544,626 S	6/2007	Hargreaves	D672,908 S	12/2012	Wilcox	
D544,980 S	6/2007	Hargreaves	D672,911 S	12/2012	Mayfield, III	
D544,981 S	6/2007	Hargreaves	D673,324 S	12/2012	Mayfield	
D544,982 S	6/2007	Hargreaves	8,334,640 B2	12/2012	Reed	
D544,983 S	6/2007	Hargreaves	D675,369 S	1/2013	Michaud	
D544,984 S	6/2007	Hargreaves	8,348,481 B2	1/2013	Chang	
D544,985 S	6/2007	Hargreaves	D675,772 S	2/2013	Tran	
D544,987 S	6/2007	Hargreaves	8,371,726 B2	2/2013	Collins	
D544,994 S	6/2007	Hargreaves	D678,597 S	3/2013	Lehman	
D544,995 S	6/2007	Hargreaves	D678,599 S	3/2013	Boyer	
D545,460 S	6/2007	Mason, II	D679,848 S	4/2013	Pickard	
D545,484 S	6/2007	Hargreaves	D683,064 S	5/2013	Tuck	
D545,485 S *	6/2007	Hargreaves	8,505,224 B2	8/2013	Huang	
D545,990 S	7/2007	Hargreaves	D689,238 S	9/2013	Halsey	
D545,994 S	7/2007	Hargreaves	D690,875 S	10/2013	McKenzie	
D545,996 S	7/2007	Hargreaves	D693,959 S	11/2013	Boyer	
D549,869 S	8/2007	Ward	D697,663 S	1/2014	Speier	
7,296,914 B1	11/2007	Russello	D698,074 S	1/2014	Hargreaves	
7,360,927 B2	4/2008	Oka	D698,075 S	1/2014	Klus	
D569,024 S	5/2008	Redfern	D698,986 S	2/2014	Reynolds	
D572,858 S	7/2008	Santoro	D698,987 S *	2/2014	Stanley	D26/118
7,445,363 B2	11/2008	Vanden Eynden	D699,386 S	2/2014	Park	
7,524,090 B2	4/2009	Hargreaves	D702,827 S	4/2014	Mase	
7,534,011 B2 *	5/2009	Townsley	8,702,283 B2	4/2014	Bradley, Jr.	
			D705,474 S	5/2014	Philips	
			D705,974 S	5/2014	Blessitt	
			8,723,086 B2	5/2014	McMahan	
			D707,385 S *	6/2014	Wardenburg	D26/118
			D708,390 S	7/2014	Roos	
			D710,528 S	8/2014	Wardenburg	
			8,801,235 B2	8/2014	Yurich	
			D713,953 S	9/2014	Jepson	
			D714,988 S	10/2014	Park	
			D715,994 S	10/2014	Klus	
			D716,995 S	11/2014	Zhu	
			D717,487 S	11/2014	Guzzini	
			D717,636 S	11/2014	Stanley	
			D720,488 S	12/2014	Toyohisa	
			D720,505 S	12/2014	Kersten	
			8,905,575 B2	12/2014	Durkee	
			D720,876 S	1/2015	Haverfield	
			D721,844 S	1/2015	Lay	
			D722,654 S	2/2015	Martone	
			D725,819 S	3/2015	Reynolds	
			D725,820 S	3/2015	Hargreaves	
			8,967,821 B2	3/2015	Pickard	
			D726,359 S	4/2015	Grigore	
D595,894 S	7/2009	Verfuertth				
D602,625 S	10/2009	Santoro				
D603,087 S	10/2009	Mo				
7,617,057 B2	11/2009	May				
D605,342 S	12/2009	Chung				
D608,490 S	1/2010	Chung				
7,641,367 B2	1/2010	Hargreaves				
7,654,702 B1	2/2010	Ding				
D613,900 S	4/2010	Hargreaves				
D614,801 S	4/2010	Collins				
7,722,228 B2	5/2010	Broer				
D617,028 S	6/2010	Verfuertth				
D620,190 S	7/2010	Chung				
D621,993 S	8/2010	Jong				
7,771,086 B2	8/2010	Goverde				
D628,335 S	11/2010	Hyland				
7,854,534 B2	12/2010	Liu				
D632,419 S	2/2011	Ng				

A01G 9/26  
362/264

(56)

References Cited

U.S. PATENT DOCUMENTS

8,998,473 B1 4/2015 Anderson  
 9,016,892 B1 4/2015 Scribante  
 9,016,907 B2 4/2015 Stanley  
 D728,848 S 5/2015 Reyes  
 D729,435 S 5/2015 Arndt  
 D730,556 S 5/2015 Toyohisa  
 D731,103 S 6/2015 Wilke  
 D731,109 S 6/2015 Wardenburg  
 D731,701 S 6/2015 Hargreaves  
 D732,233 S 6/2015 Reynolds  
 D732,234 S 6/2015 Rashidi Doust  
 D732,235 S 6/2015 Reynolds  
 D732,236 S 6/2015 Reynolds  
 D733,347 S 6/2015 Dungan  
 D733,952 S 7/2015 Lay  
 D733,960 S 7/2015 Howe  
 D734,534 S 7/2015 Howe  
 D735,391 S 7/2015 Blessitt  
 D735,401 S 7/2015 Clements  
 D736,450 S 8/2015 Reynolds  
 D737,498 S 8/2015 Stanley  
 9,110,209 B2 8/2015 Blessitt  
 D738,031 S 9/2015 Martins  
 D739,595 S 9/2015 Reynolds  
 9,127,826 B2 9/2015 Boyer  
 D740,486 S 10/2015 Stanley  
 D740,996 S 10/2015 Tragatschnig  
 D745,993 S 12/2015 Reynolds  
 D747,029 S 1/2016 Reynolds  
 D747,538 S 1/2016 Hargreaves  
 D747,825 S 1/2016 Reynolds  
 D747,849 S 1/2016 Ingram  
 D747,923 S 1/2016 Cornu  
 D748,319 S 1/2016 Johnson  
 D748,320 S 1/2016 Johnson  
 D748,847 S 2/2016 Johnson  
 D748,849 S 2/2016 Stanley  
 D748,850 S 2/2016 Johnson  
 D749,773 S 2/2016 Waible  
 D750,312 S 2/2016 Reynolds  
 D750,313 S 2/2016 Reynolds  
 D750,316 S 2/2016 Reynolds  
 9,255,690 B2 2/2016 Dimitriadis  
 D750,831 S 3/2016 Clements  
 D751,244 S 3/2016 Reynolds  
 D751,245 S 3/2016 Stanley  
 D751,247 S 3/2016 Reynolds  
 D753,654 S 4/2016 Eastwood  
 9,310,037 B2 4/2016 Cercone  
 D756,016 S 5/2016 Hargreaves  
 D756,023 S 5/2016 Hoffer  
 D756,026 S 5/2016 Reynolds  
 D757,323 S 5/2016 Reynolds  
 D757,326 S 5/2016 Reynolds  
 D757,346 S 5/2016 Stanley  
 9,335,038 B2 5/2016 Stanley  
 9,366,947 B2 6/2016 Miyata  
 D762,320 S 7/2016 Reynolds  
 D765,306 S 8/2016 Wardenburg  
 D766,756 S 9/2016 Franc  
 D769,513 S 10/2016 Reynolds  
 D769,514 S 10/2016 Reynolds  
 D770,079 S 10/2016 Stanley  
 D770,082 S 10/2016 Reynolds  
 D770,670 S 11/2016 Reynolds  
 D770,671 S 11/2016 Reynolds  
 D771,301 S 11/2016 Stanley  
 D771,304 S 11/2016 Goltche  
 D773,107 S 11/2016 Stanley  
 D775,406 S 12/2016 Hargreaves  
 D775,760 S 1/2017 Reynolds  
 D780,985 S 3/2017 Stanley  
 D780,986 S 3/2017 Reynolds  
 D781,492 S 3/2017 Reynolds  
 D783,887 S 4/2017 Stanley

D786,488 S 5/2017 Reynolds  
 D786,489 S 5/2017 Stanley  
 D786,490 S 5/2017 Stanley  
 2002/0073285 A1 6/2002 Butterworth  
 2002/0141195 A1 10/2002 Peter  
 2003/0031011 A1 2/2003 Miller  
 2003/0191783 A1 10/2003 Wolczko  
 2004/0240214 A1 12/2004 Whitlow  
 2005/0117333 A1 6/2005 Yoshida  
 2005/0160481 A1 7/2005 Todd  
 2005/0233691 A1 10/2005 Horton  
 2006/0231081 A1 10/2006 Kirakosyan  
 2006/0232984 A1 10/2006 Schuknecht  
 2006/0282457 A1 12/2006 Williams  
 2007/0051321 A1 3/2007 Chang  
 2007/0070633 A1 3/2007 Eynden  
 2007/0228993 A1 10/2007 Stuer  
 2007/0246631 A1 10/2007 Brown  
 2007/0282806 A1 12/2007 Hoffman  
 2008/0059799 A1 3/2008 Scarlata  
 2008/0117617 A1 5/2008 Hargreaves  
 2008/0130304 A1 6/2008 Rash  
 2008/0178957 A1 7/2008 Thomas et al.  
 2008/0205030 A1 8/2008 Hargreaves  
 2008/0205071 A1 8/2008 Townsley  
 2008/0212326 A1 9/2008 Chon  
 2008/0278950 A1 11/2008 Pickard  
 2009/0166250 A1 7/2009 Subramanian  
 2009/0231840 A1 9/2009 Boehme  
 2009/0262540 A1 10/2009 Hargreaves  
 2009/0276478 A1 11/2009 Soman  
 2009/0310373 A1 12/2009 Burkhauser  
 2009/0316404 A1 12/2009 Mo  
 2009/0323335 A1 12/2009 Yang  
 2010/0214789 A1 8/2010 Hawkes  
 2010/0238661 A1 9/2010 Pfund  
 2010/0277908 A1 11/2010 Hu  
 2010/0277929 A1 11/2010 Hargreaves  
 2010/0295468 A1 11/2010 Pedersen  
 2010/0302768 A1 12/2010 Collins  
 2011/0169412 A1 7/2011 Yurich  
 2011/0203096 A1 8/2011 Hargreaves  
 2011/0259665 A1 10/2011 Morgan  
 2012/0051041 A1 3/2012 Edmond  
 2012/0092859 A1 4/2012 Gregoris  
 2012/0145699 A1 6/2012 McMahan  
 2012/0212883 A1 8/2012 Hargreaves  
 2012/0230035 A1 9/2012 Bradley, Jr.  
 2013/0077329 A1 3/2013 Hessling  
 2013/0083539 A1 4/2013 Dimitriadis  
 2013/0155685 A1 6/2013 Stanley  
 2013/0242573 A1 9/2013 Petrsoiki  
 2013/0250567 A1 9/2013 Edmond  
 2014/0378283 A1 12/2014 Qiu  
 2015/0023022 A1 1/2015 Stanley  
 2015/0098215 A1 4/2015 Torabifard  
 2015/0252992 A1 9/2015 Stanley  
 2015/0252993 A1 9/2015 Stanley  
 2015/0252994 A1 9/2015 Stanley  
 2015/0260381 A1 9/2015 Verfuert

FOREIGN PATENT DOCUMENTS

EP 0325003 7/1989  
 EP 0440274 8/1991  
 WO 02063210 8/2002  
 WO 03060379 7/2003  
 WO 2008018000 2/2008  
 WO 2009096775 8/2009  
 WO 2011119451 9/2011

OTHER PUBLICATIONS

Apollo Horticulture GLRLS24 6" Air Cooled Hydroponic Grow Light Glass Reflector Hood, image post date Oct. 15, 2010, site visted Oct. 3, 2014, (online), <[http://www.amazon.com/apollo-horticulture-GLRLS24-hydroponic-reflector/dp/B00BMVK8HG/ref=cm\\_cd\\_ql\\_qh\\_dp\\_i](http://www.amazon.com/apollo-horticulture-GLRLS24-hydroponic-reflector/dp/B00BMVK8HG/ref=cm_cd_ql_qh_dp_i)>.

(56)

**References Cited**

## OTHER PUBLICATIONS

Adjustable Reflector, image post date Apr. 23, 2012, site visited Sep. 23, 2015, [http://web.archive.org/web/2012043260757/http://hydroponics-products.en.alibaba.com/product/519225678-213056444/adjustable\\_reflector\\_grow\\_light\\_hydroponics\\_greenhouse\\_horticulture\\_reflector\\_hood.html](http://web.archive.org/web/2012043260757/http://hydroponics-products.en.alibaba.com/product/519225678-213056444/adjustable_reflector_grow_light_hydroponics_greenhouse_horticulture_reflector_hood.html).

Agrotech Magnum Reflector, image post date Feb. 5, 2012, site visited Oct. 31, 2014, [www.hydroponics.net/136580](http://www.hydroponics.net/136580).

Cree CR22, image post date Apr. 28, 2011, site visited Nov. 15, 2014, <http://ledsmagazine.com/content/dam/leds/migrated/objects/news/8/4/19/cree204272011.jpg>.

ZR series High Efficacy Troffer, image post date Apr. 13, 2012, site visited Oct. 31, 2014, [www.cree.com/lighting/products](http://www.cree.com/lighting/products).

Grow Lights Home Depot: Find many types of grow lights for your plant, published Dec. 22, 2012, online. Site visited Jun. 25, 2014. [Http://besthomedecorfurniture.com/gardening-d%C3%A9cor/grow-lights-home-depot-few-things-to-consider-when-buying-grow-lighting-plants-online.html](http://besthomedecorfurniture.com/gardening-d%C3%A9cor/grow-lights-home-depot-few-things-to-consider-when-buying-grow-lighting-plants-online.html).

LED Grow Light Comparison Test Review, Youtube.com, published Jun. 29, 2012, online. Site visited Jun. 25, 2014. [www.youtube.com/watch?v=f-8oy0qbgrs](http://www.youtube.com/watch?v=f-8oy0qbgrs).

Illuminator Pro-Series Hybrid 350W, wordpress.com, published Dec. 22, 2010, online, site visited Jun. 25, 2014. <http://growsetup.wordpress.com/category/grow-lights/>.

California Lightworks New SolarStorm 440W LED Grow Light with UVB, hydrobuilder.com, online. Site visited Jun. 25, 2014. [http://hydrobuilder.com/solarstorm-440w-led-grow-light-with-uvb.html?dzid=strands\\_CLW-SS-440](http://hydrobuilder.com/solarstorm-440w-led-grow-light-with-uvb.html?dzid=strands_CLW-SS-440).

2013 Sunlight Supply Cataog, Issuu.com, published Aug. 1, 2013, online. Site visited Feb. 2, 2015. [http://issuu.com/sunlightsupply/docs/2013\\_sunlightproductcatalog/49](http://issuu.com/sunlightsupply/docs/2013_sunlightproductcatalog/49).

Pages 29 and 54 from 2014-2015 dealer catalog showing and describing Super Sun DE reflector published by Sunlight Supply, Inc. 2014.

Dominator XXXL Non AC Reflector pack of 3 Spec Sheet, GreenTreesHydroponics.com, date available Mar. 12, 2014, online. Site visited Feb. 3, 2015, <https://www.hydroponics.net/i/141477>.

Low Rider Air-Cooled Reflector—TinEye, image post date Oct. 11, 2012, site visited Oct. 1, 2015, [www.tineye.com/search/1b0e187c5ed9e4e9cfb55d0472271385a2c0e88/?pluginver](http://www.tineye.com/search/1b0e187c5ed9e4e9cfb55d0472271385a2c0e88/?pluginver).

OG Air Cooled Parabolic Reflector Only—Make the Most of Your Grow Light, GroWell Hydroponics, <http://www.growell.co.uk/og-air-cooled-parabolic-reflector-only.html>, pp. 1-2, accessed Aug. 26, 2014.

Air Resistance: Distinguishing Between Laminar and Turbulent Flow, [www.docstoc.com](http://www.docstoc.com), Dec. 29, 2010, p. 1-6.

Sun Systems LEC 630 Light Emitting Ceramic Fixture, Spec Sheet for 906217—Sun System LEC 630 120 Volt w/ 3100 K Lamps, [www.sunlightsupply.com/shop/bycategory/led-lighting/sun-system-lec-630-light-emitting-ceramic-fixture](http://www.sunlightsupply.com/shop/bycategory/led-lighting/sun-system-lec-630-light-emitting-ceramic-fixture), online, updated Feb. 9, 2015. Site visited Mar. 30, 2015, p. 1.

Mohri, Mineko, International Preliminary Report on Patentability for PCT/US2014/014959, Jan. 19, 2016.

A3V Reflector, Titaness Light Shop, [www.titanesslightshop.com/products-page/reflectors/a3v-reflector](http://www.titanesslightshop.com/products-page/reflectors/a3v-reflector), online. Site visited Jan. 14, 2015.

G2V Grow Light Reflector, Titaness Light Shop, [www.titanesslightshop.com/products-page/reflectors/g2v-grow-light-reflector](http://www.titanesslightshop.com/products-page/reflectors/g2v-grow-light-reflector), online. Site visited Jan. 14, 2015.

1000 Wall Galaxy Grow Amp Double Ended Grow Light Packages, image post date Jan. 30, 2014, sited visited Jul. 8, 2016, <http://www.ehydroponics.com/100-watt-galaxy-grow-amp-double-ended-grow-light-package.html>.

2009-10-watt-light-set—TinEye, image post date May 23, 2012, site visited Jul. 8, 2016, <https://www.tineye.com/search/2de39cf51f7a031139a80ce555e2f30d0abd5216/>.

Square 10 Watt LED Grow Light, image post date Aug. 1, 2011, site visited Jul. 18, 2016, <http://www.dhgate.com/store/product/hydroponic-vegetable-10-watt-led-grow-light/216755031.html>.

Sun System 630 Ceramic Metal Halide 120v Specifications, GrowersHouse.com, update on Sep. 9, 2014, Online. Site visited Feb. 3, 2015. [http://growershouse.com/aitdownloadablefiles/download/aitfile/aitfile\\_id/583/](http://growershouse.com/aitdownloadablefiles/download/aitfile/aitfile_id/583/).

Growlite HDE 600W-1000W Double Ended Lamp Concealed Vacuum Airflow Technology, Indoor Grow Science, site visited Aug. 3, 2016, <http://www.indoorgrowscience.net/downloads/specs/hde.pdf>.

Sun Systems LEC 315—Reviews?, rollitup.com forum, published Oct. 23, 2013, online. Visited Nov. 8, 2016. <http://rollitup.org/t/sun-systems-lec-315-reviews.742794>.

Sun System LEC 315 120v Light Emitting Ceramic Metal Halide Fixture w/ Free Ratchet Light Hangers, Amazon.com, earliest review of Jul. 2, 2014, online. Visited Nov. 8, 2016 <https://www.amazon.com/sun-system-emitting-ceramic-fixture/dp/B100HBCV8TM>.

LEC 315 Watt Grow Light Great Yield Reports!, YouTube.com, published Mar. 31, 2014, online. Visited Nov. 8, 2016. <https://www.youtube.com/watch?v=QqcoW19KnUk>.

Air Cooled Grow Lights, greensteamhydroponics.com, published May 24, 2014, online. Site visited Nov. 16, 2016. [http://web.archive.org/web/20140524103407/http://www.greensteamhydroponics.com/aircooled-reflector-range-from-greenstream-hydroponics/prod\\_699.html](http://web.archive.org/web/20140524103407/http://www.greensteamhydroponics.com/aircooled-reflector-range-from-greenstream-hydroponics/prod_699.html).

\* cited by examiner

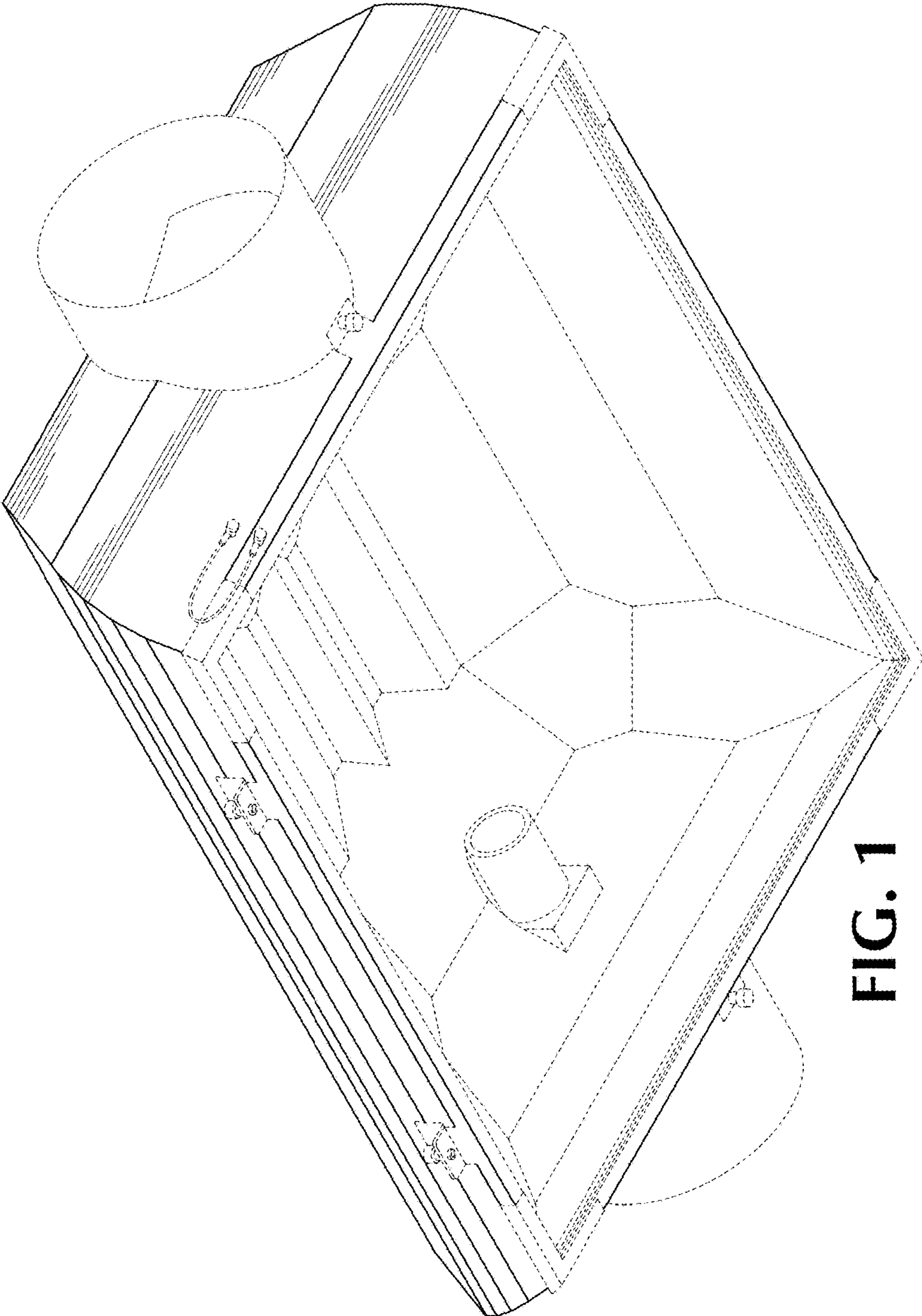


FIG. 1

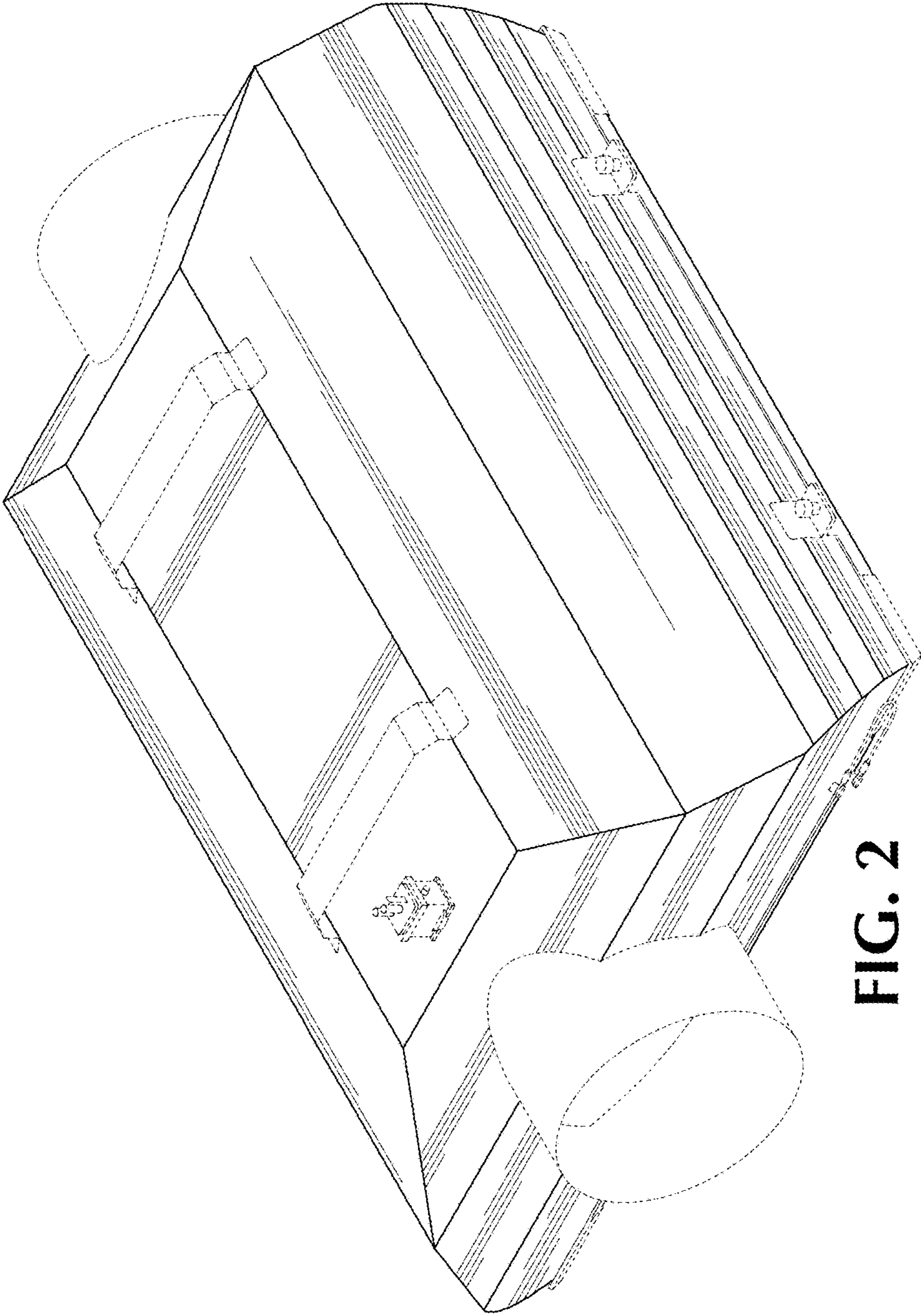


FIG. 2

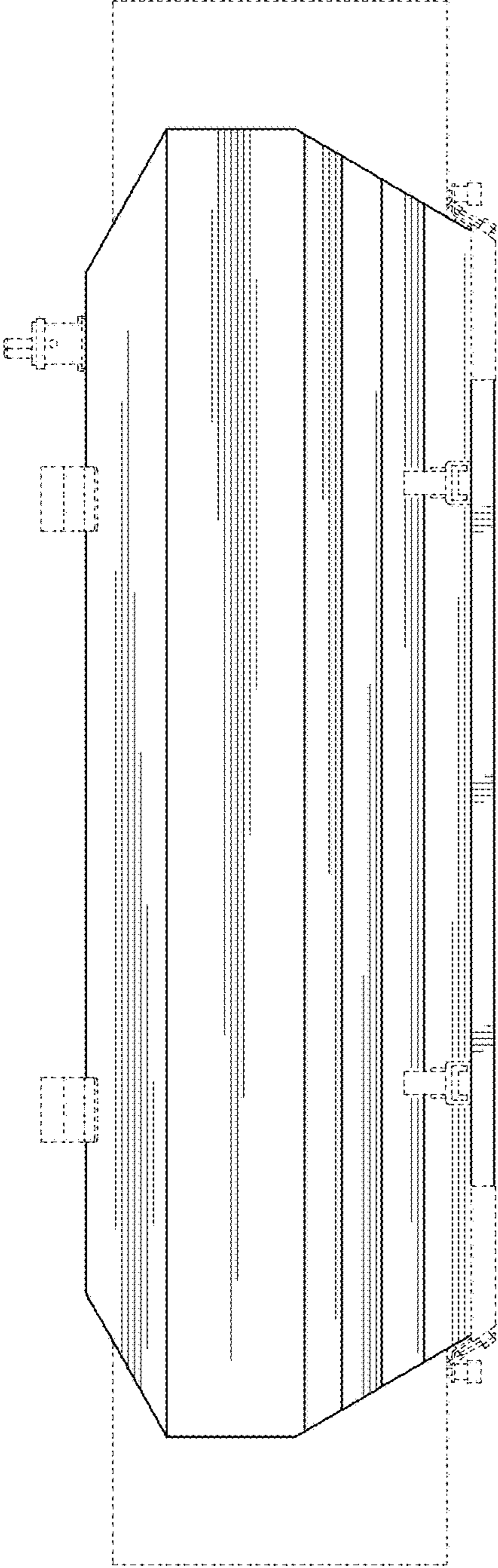


FIG. 3

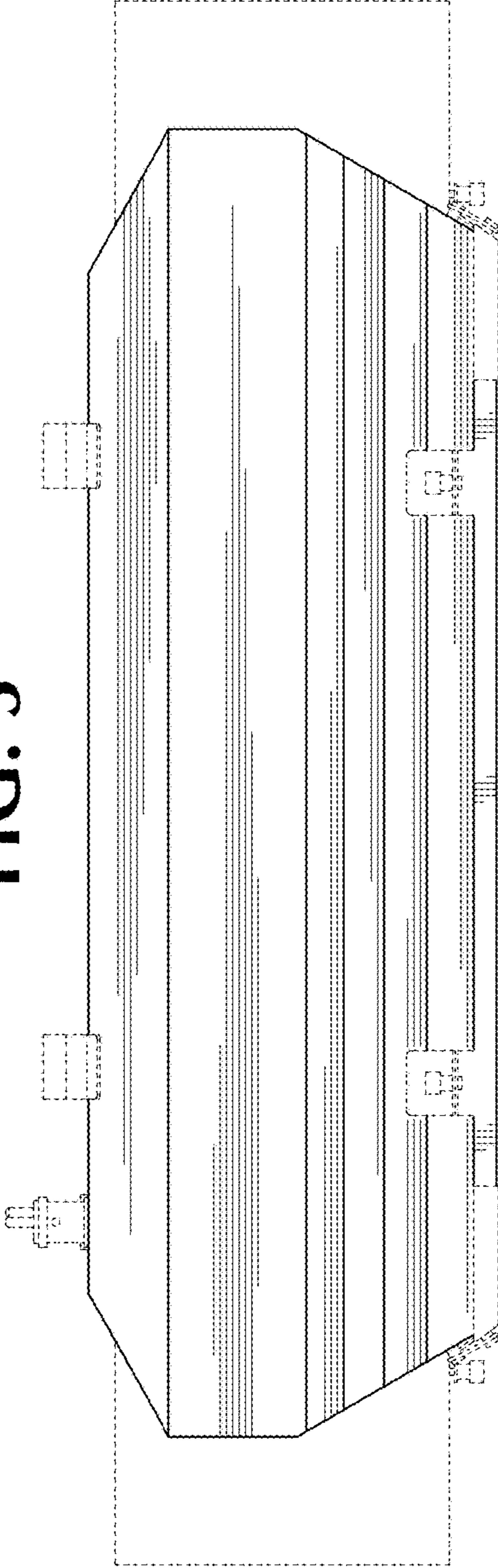
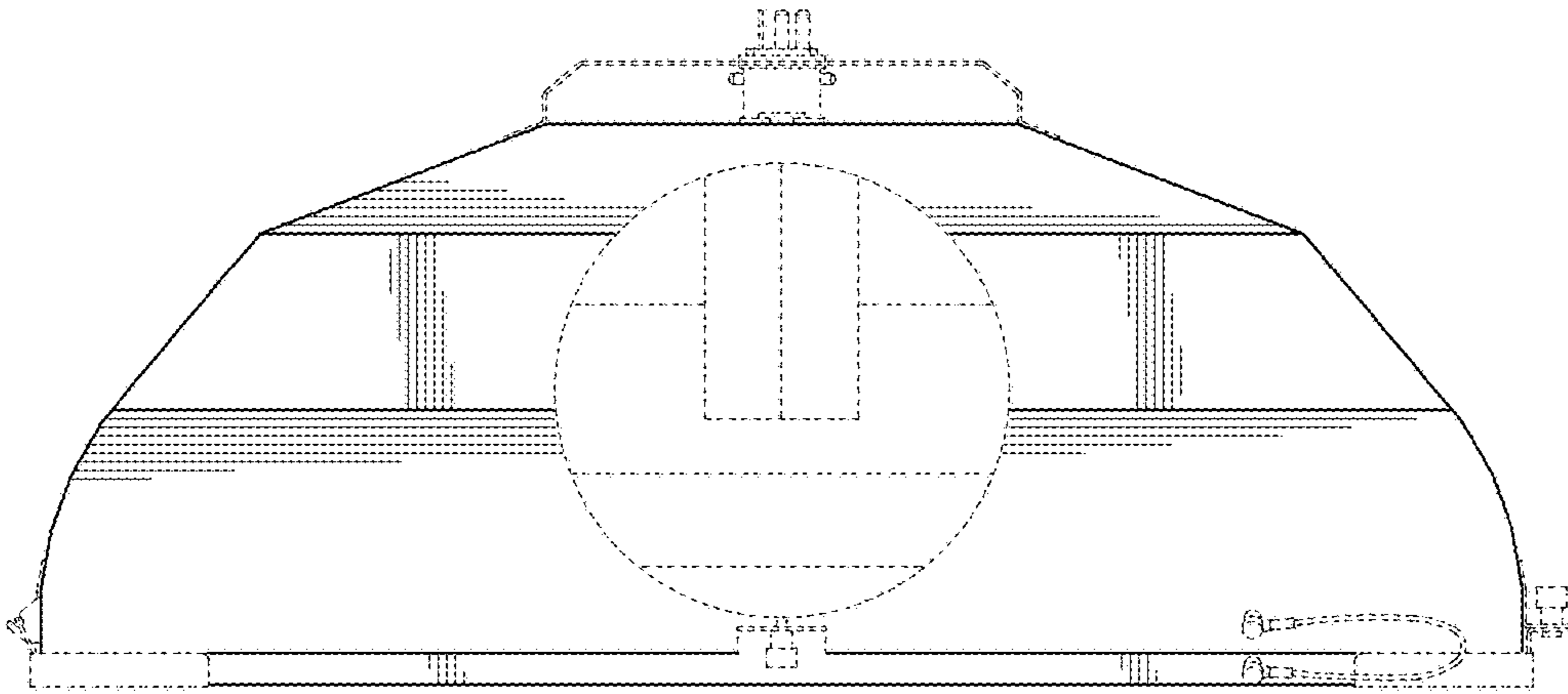
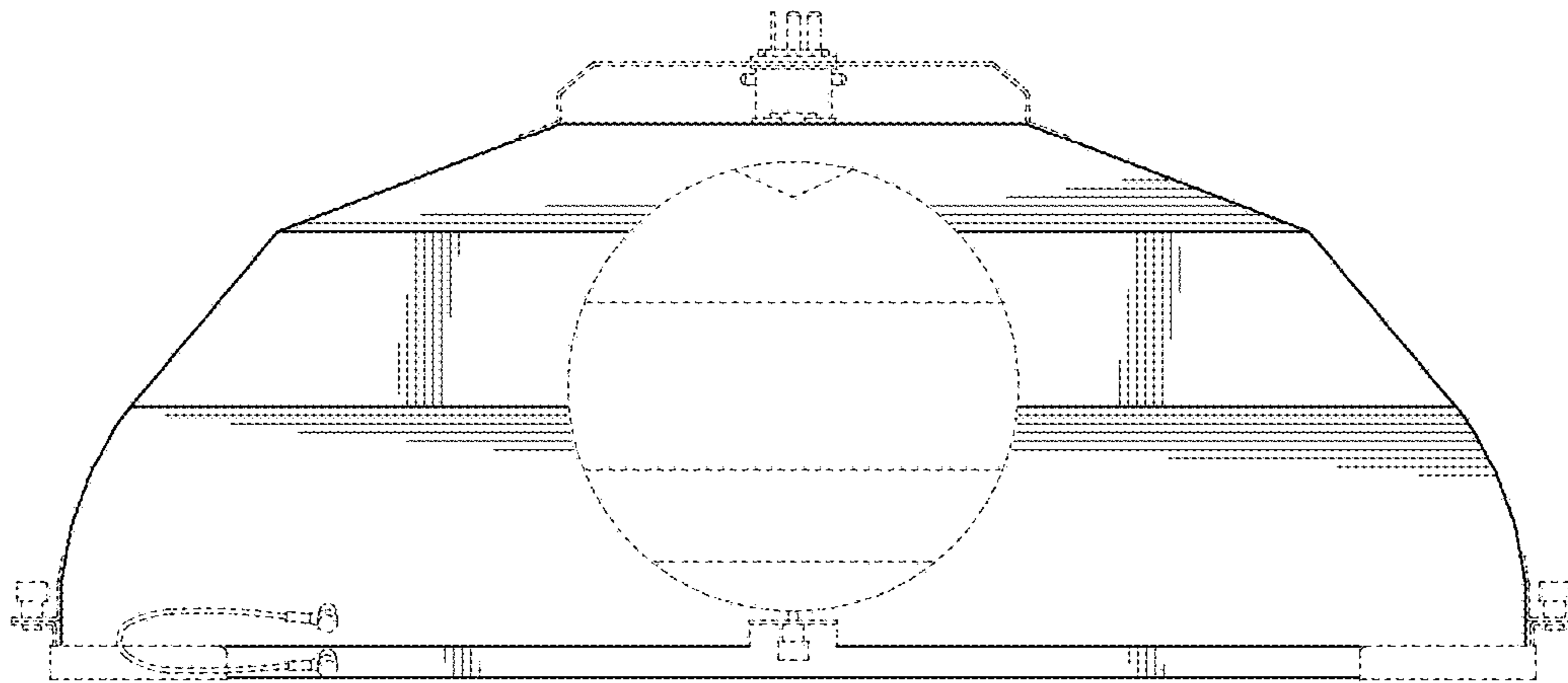


FIG. 4





**FIG. 5**



**FIG. 6**

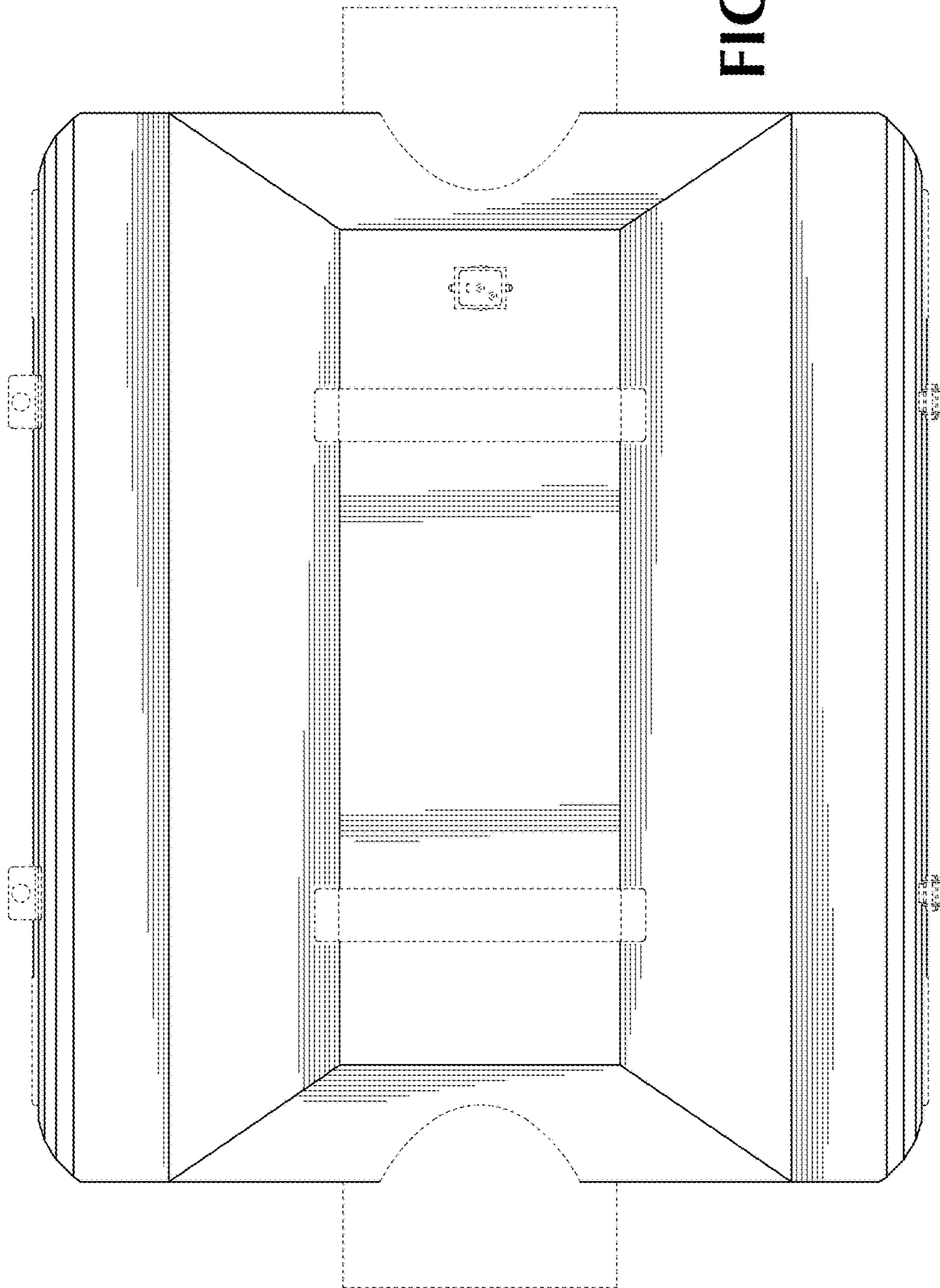


FIG. 7

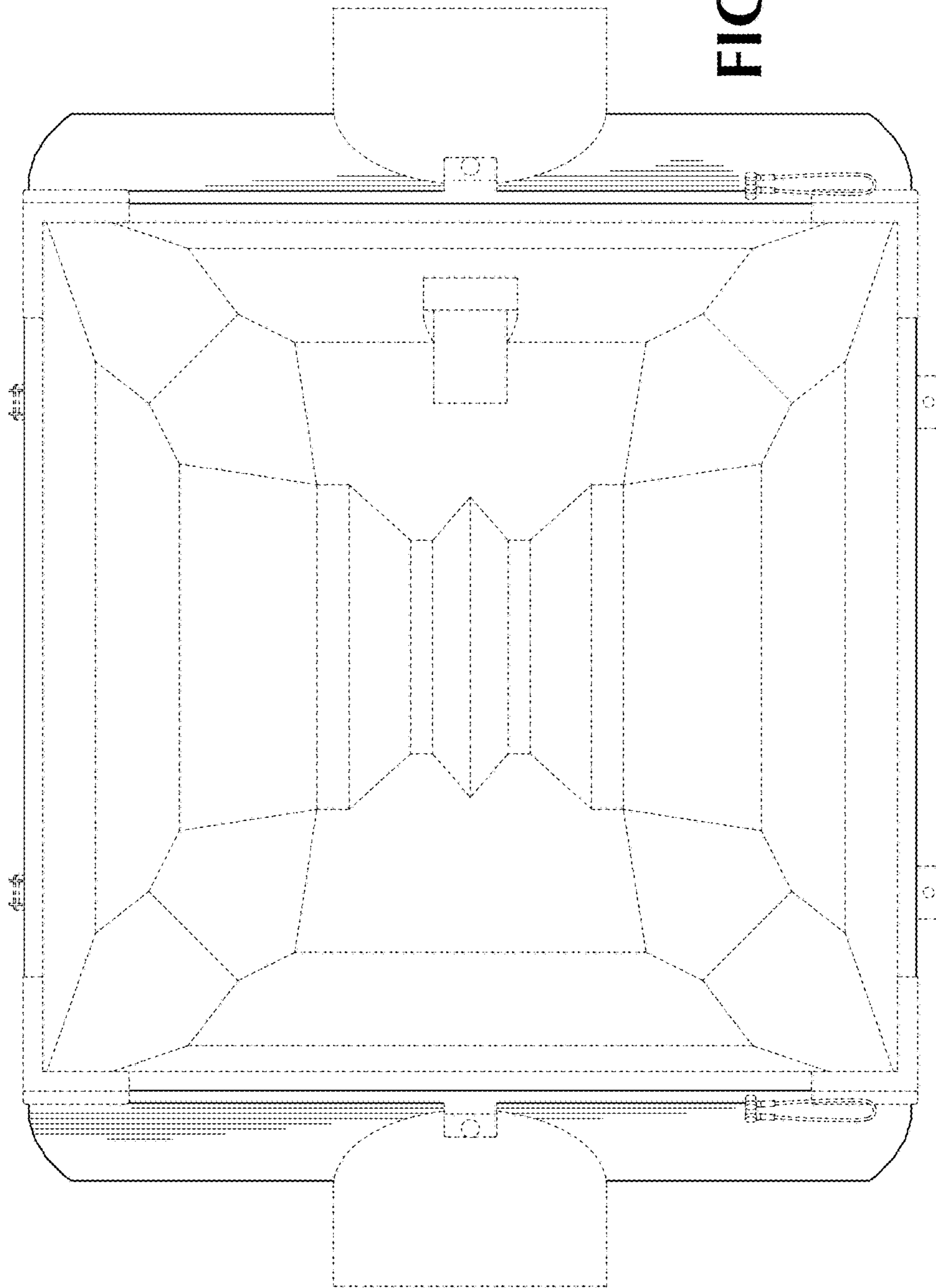


FIG. 8