



US00D797352S

(12) **United States Design Patent** (10) **Patent No.:** **US D797,352 S**
Stanley (45) **Date of Patent:** **** Sep. 12, 2017**

(54) **INTERCHANGEABLE REFLECTOR LIGHT FIXTURE**

(71) Applicant: **IP Holdings, LLC**, Vancouver, WA (US)

(72) Inventor: **John Stanley**, Vancouver, WA (US)

(73) Assignee: **IP Holdings, LLC**, Vancouver, WA (US)

(**) Term: **15 Years**

(21) Appl. No.: **29/585,616**

(22) Filed: **Nov. 28, 2016**

Related U.S. Application Data

(63) Continuation of application No. 29/538,477, filed on Sep. 3, 2015, now Pat. No. Des. 775,405.

(51) **LOC (10) Cl.** **26-99**

(52) **U.S. Cl.**
USPC **D26/118**

(58) **Field of Classification Search**
USPC ... D26/9, 10, 12, 13, 15, 16, 24, 51, 61, 72, D26/76, 80, 81, 85, 86, 88, 90, 113, 118, D26/119, 120, 122, 128, 129, 138, 143, D26/144
CPC B60Q 1/04; B60Q 1/26; F21S 8/026; F21S 8/04; F21V 29/004; F21V 21/02; F21V 21/04; F21V 29/2212; F21V 7/22; F21V 29/83; F21V 37/002; F21V 7/00; F21L 19/00; F23D 11/443; F21Y 2101/02; A61L 9/037

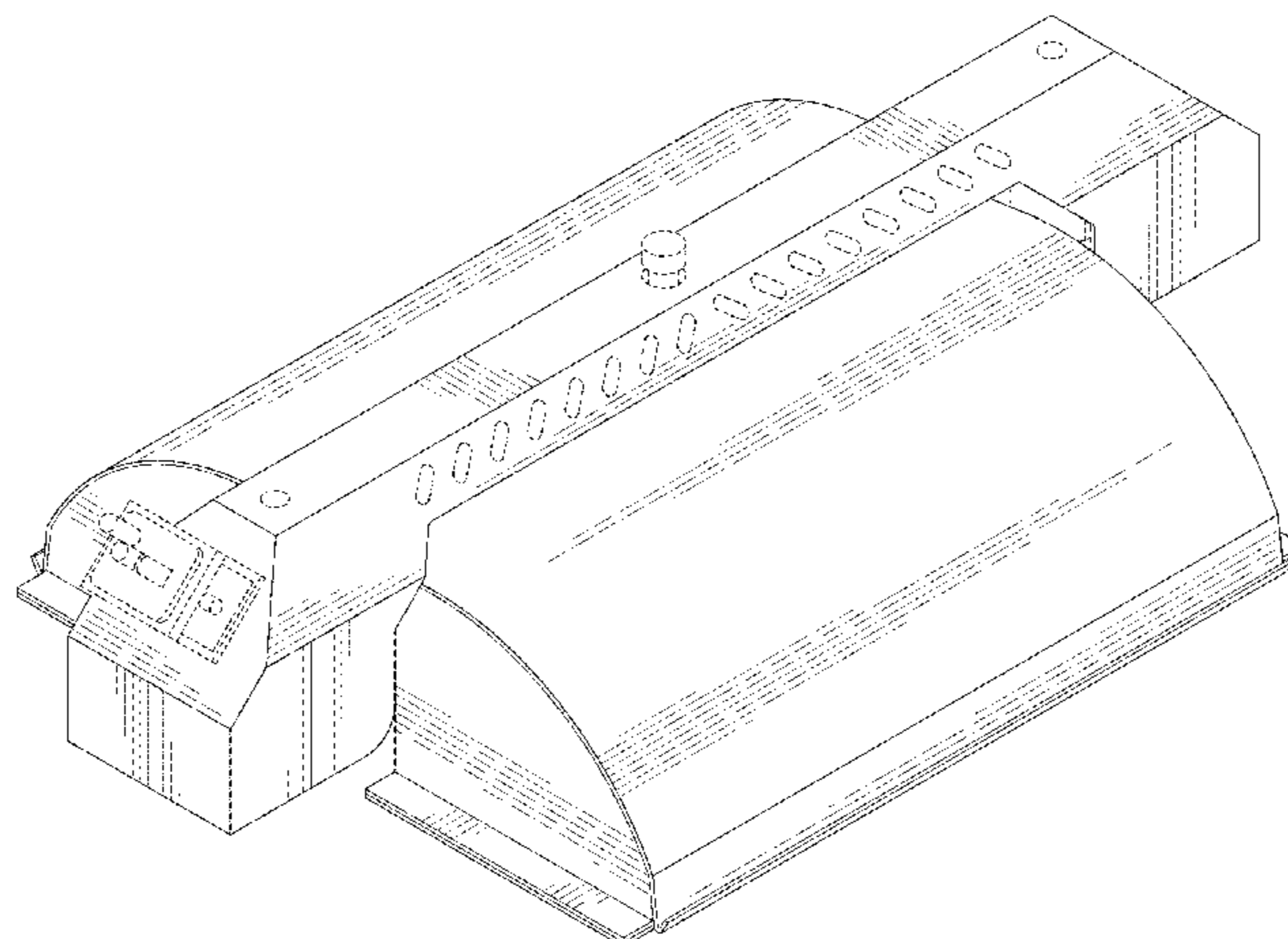
See application file for complete search history.

(56) **References Cited**

U.S. PATENT DOCUMENTS

D106,614 S 10/1937 Waterbury
D123,768 S 12/1940 Scribner
D132,786 S 6/1942 Netting
D133,216 S 7/1942 Parlato
D135,375 S 3/1943 Biller

2,339,100 A 1/1944 Netting
D143,061 S 12/1945 Creed
D156,014 S 11/1949 Lazerson
2,740,883 A 4/1956 Michael
2,740,885 A 4/1956 Kruger
3,272,978 A 9/1966 Jackson
4,363,371 A 12/1982 Hutchinson
D268,287 S 3/1983 Boschetti
4,531,180 A 7/1985 Hernandez
4,779,178 A 10/1988 Spitz
4,814,954 A 3/1989 Spitz
4,933,821 A 6/1990 Anderson
D311,597 S 10/1990 Poot
5,253,152 A 10/1993 Yang
D352,126 S 11/1994 Ruud
D377,234 S 1/1997 Roberts
D413,176 S 8/1999 Mier-Langner
6,053,624 A 4/2000 Cronk
D428,516 S * 7/2000 Reo D26/118
D447,272 S * 8/2001 Smith D26/118
D456,938 S * 5/2002 Wardenburg D26/118
D459,825 S 7/2002 Field
D465,049 S 10/2002 Ludwig
D469,564 S 1/2003 Brok
6,527,422 B1 3/2003 Hutchison
6,595,662 B2 7/2003 Wardenburg
6,988,816 B2 1/2006 Witkowski
D542,460 S 5/2007 Hargreaves
D543,652 S * 5/2007 Hargreaves D26/118
D543,654 S 5/2007 Hargreaves
D544,131 S 6/2007 Blackman
D544,139 S 6/2007 Hargreaves
D544,626 S 6/2007 Hargreaves
D544,983 S 6/2007 Hargreaves
D544,984 S 6/2007 Hargreaves
D544,985 S 6/2007 Hargreaves
D544,987 S 6/2007 Hargreaves
D544,995 S * 6/2007 Hargreaves D26/118
D545,484 S * 6/2007 Hargreaves D26/118
D545,485 S * 6/2007 Hargreaves D26/118
D586,030 S 2/2009 Genova
7,524,090 B2 4/2009 Hargreaves
7,534,011 B2 5/2009 Townsley
D613,900 S 4/2010 Hargreaves
D614,801 S * 4/2010 Collins D26/118
7,722,208 B1 5/2010 Dupre
7,722,228 B2 5/2010 Broer
D633,640 S 3/2011 Wauters
D634,060 S * 3/2011 Wardenburg D26/118
D634,468 S 3/2011 Hargreaves
D634,469 S * 3/2011 Hargreaves D26/118
D637,162 S 5/2011 Bridgman
D637,752 S 5/2011 Mekhtarian



7,959,331	B2	6/2011	Ho	
7,972,044	B2	7/2011	Burkhauser	
D661,833	S	6/2012	Imajo	
8,209,912	B2	7/2012	Hargreaves	
D669,204	S	10/2012	Snell	
D670,850	S	11/2012	Helenowski	
D672,911	S	12/2012	Mayfield	
D675,369	S *	1/2013	Michaud	D26/118
8,348,481	B2	1/2013	Chang	
D676,185	S	2/2013	Piepgas	
D678,599	S	3/2013	Boyer	
D683,064	S	5/2013	Tuck	
D693,959	S *	11/2013	Boyer	D26/118
D698,986	S *	2/2014	Reynolds	D26/118
D698,987	S	2/2014	Stanley	
8,905,575	B2 *	12/2014	Durkee	F21V 7/0008 362/218
D725,819	S	3/2015	Reynolds	
8,998,473	B1	4/2015	Anderson	
9,010,970	B2	4/2015	Guercio	
9,016,907	B2	4/2015	Stanley	
D731,701	S *	6/2015	Hargreaves	D26/118
D732,233	S	6/2015	Reynolds	
D732,235	S *	6/2015	Reynolds	D26/118
D732,236	S *	6/2015	Reynolds	D26/118
D736,450	S *	8/2015	Reynolds	D26/118
D737,134	S	8/2015	Thompson	
D737,498	S	8/2015	Stanley	
9,110,209	B2	8/2015	Blessitt	
D739,595	S	9/2015	Reynolds	
D740,486	S *	10/2015	Stanley	D26/118
D747,029	S *	1/2016	Reynolds	D26/118
D748,849	S *	2/2016	Stanley	D26/118
D750,312	S	2/2016	Reynolds	
D750,316	S *	2/2016	Reynolds	D26/118
D751,244	S *	3/2016	Reynolds	D26/118
D751,247	S *	3/2016	Reynolds	D26/118
9,279,550	B2	3/2016	Torabifard	
D757,323	S	5/2016	Reynolds	
D762,320	S	7/2016	Reynolds	
D765,306	S	8/2016	Wardenburg	
D767,193	S	9/2016	Jung	
9,453,639	B2	9/2016	Mandy	
D769,514	S	10/2016	Reynolds	
D770,670	S	11/2016	Reynolds	
D770,671	S	11/2016	Reynolds	
D775,405	S	12/2016	Stanley	
D779,703	S	2/2017	Stanley	
D783,888	S	4/2017	Reynolds	
2001/0023173	A1	9/2001	Schiedegger	
2002/0141195	A1	10/2002	Peter	
2008/0205030	A1	8/2008	Hargreaves	
2008/0205071	A1	8/2008	Townsley	
2008/0219008	A1	9/2008	Schaefer	
2008/0278950	A1	11/2008	Pickard	
2009/0262540	A1	10/2009	Hargreaves	
2009/0262543	A1	10/2009	Ho	
2009/0310373	A1	12/2009	Burkhauser	
2009/0323335	A1	12/2009	Yang	
2012/0051041	A1	3/2012	Edmond	
2013/0083539	A1	4/2013	Dimitriadis	
2015/0082692	A1	3/2015	Wardenburg	
2015/0252993	A1	9/2015	Stanley	

FOREIGN PATENT DOCUMENTS

CN	ZL 201430166983.7	4/2015
CN	ZL 201530131007.2	7/2015

OTHER PUBLICATIONS

Horticultural Lights, image post date Jul. 7, 2014, site visited Sep. 30, 2015 (online), <<http://web.archive.org/web/20140707223459/http://www.kindgreenbuds.com/cannabis-grow-bible/best-lighting-systems/>>.
Horticultural Lighting, image post date Sep. 2008, site visited Sep. 30, 2015, (online), <<http://www.dendroboard.com/forum/sponsor->

classifieds/104681-grow-your-own-plants-horticulture-neherp.html>.
Steel S Section, image post date Aug. 30, 2000, site visted Sep. 30, 2015 (online), <<http://web.archive.org/web/20000830093120/http://www.efunda.com/math/areas/RolledSteelBeamsS.cfm>>.

* cited by examiner

Primary Examiner — Brian N Vinson
(74) *Attorney, Agent, or Firm* — J. Douglas Wells

(57) **CLAIM**

The ornamental design for an interchangeable reflector light fixture, as shown and described.

DESCRIPTION

FIG. 1 is a perspective view of an interchangeable reflector light fixture, as viewed from above, showing my new design;
FIG. 2 is a reflector component of the interchangeable reflector light fixture shown in FIG. 1, as viewed from above;
FIG. 3 is a reflector component of the interchangeable reflector light fixture shown in FIG. 1, as viewed from below;
FIG. 4 is a left side view of the light fixture shown in FIG. 1;
FIG. 5 is a right side view of the light fixture shown in FIG. 1;
FIG. 6 is a front elevation view of the light fixture shown in FIG. 1;
FIG. 7 is a rear elevation view of the light fixture shown in FIG. 1;
FIG. 8 is a bottom plan view of the light fixture shown in FIG. 1;
FIG. 9 is a top plan view of the light fixture shown in FIG. 1;
FIG. 10 is a perspective view of a reflector engaging component of an interchangeable reflector light fixture, as viewed from above, showing my new design;
FIG. 11 is a perspective view of the reflector engaging component of an interchangeable reflector light fixture, as viewed from below, shown in FIG. 10;
FIG. 12 is a left side view of the reflector engaging component of an interchangeable reflector light fixture, shown in FIG. 10;
FIG. 13 is a right side view of the reflector engaging component of an interchangeable reflector light fixture, shown in FIG. 10;
FIG. 14 is a front elevation view of the reflector engaging component of an interchangeable reflector light fixture, shown in FIG. 10;
FIG. 15 is a rear elevation view of the reflector engaging component of an interchangeable reflector light fixture, shown in FIG. 10;
FIG. 16 is a top plan view of the reflector engaging component of an interchangeable reflector light fixture, shown in FIG. 10; and,
FIG. 17 is a bottom plan view of the reflector engaging component of an interchangeable reflector light fixture, shown in FIG. 10.

The broken-line disclosure shown in the views is understood to represent portions of the article in which the claimed design is embodied, but which form no part of the claimed design.

1 Claim, 12 Drawing Sheets

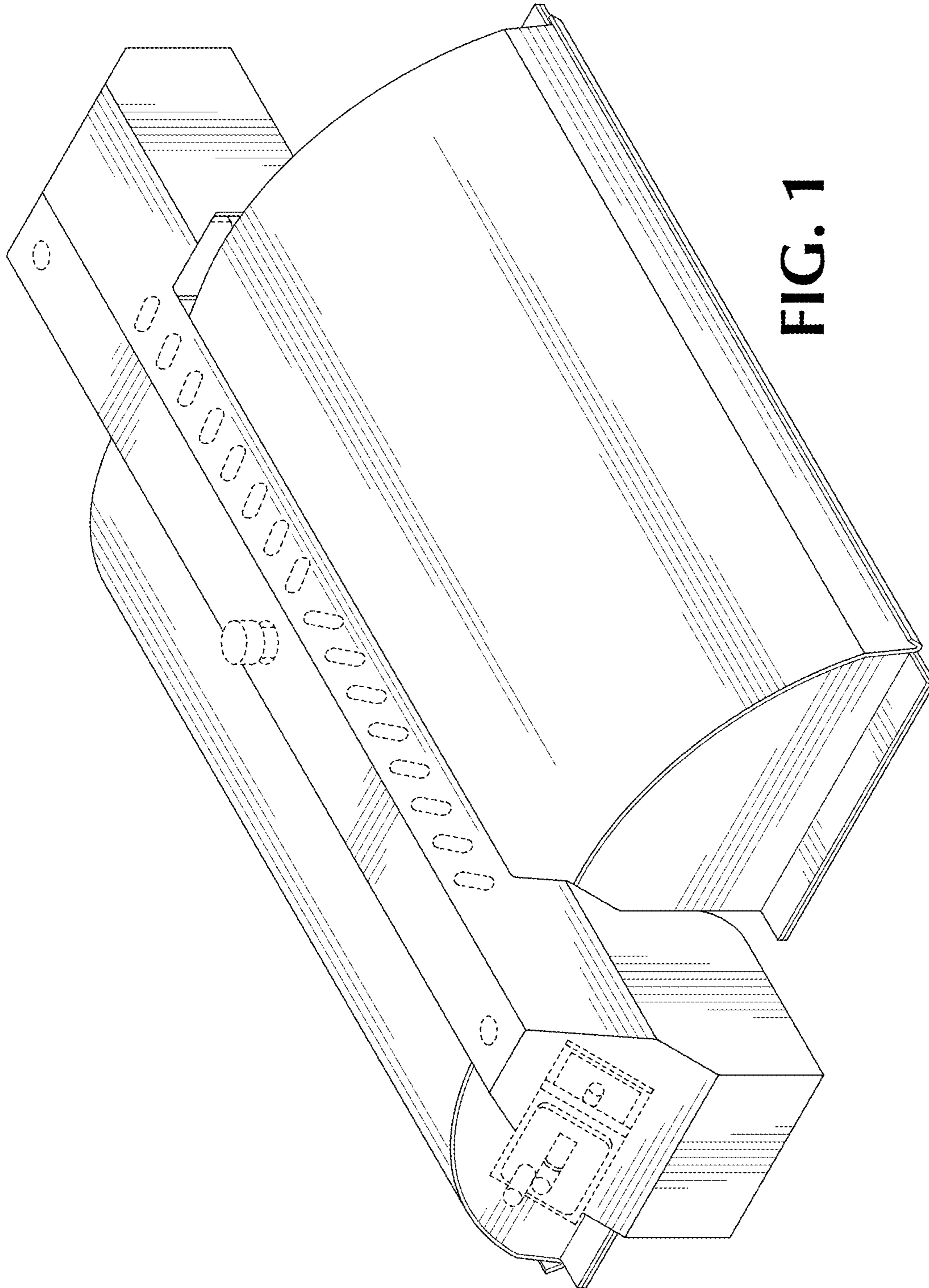


FIG. 1

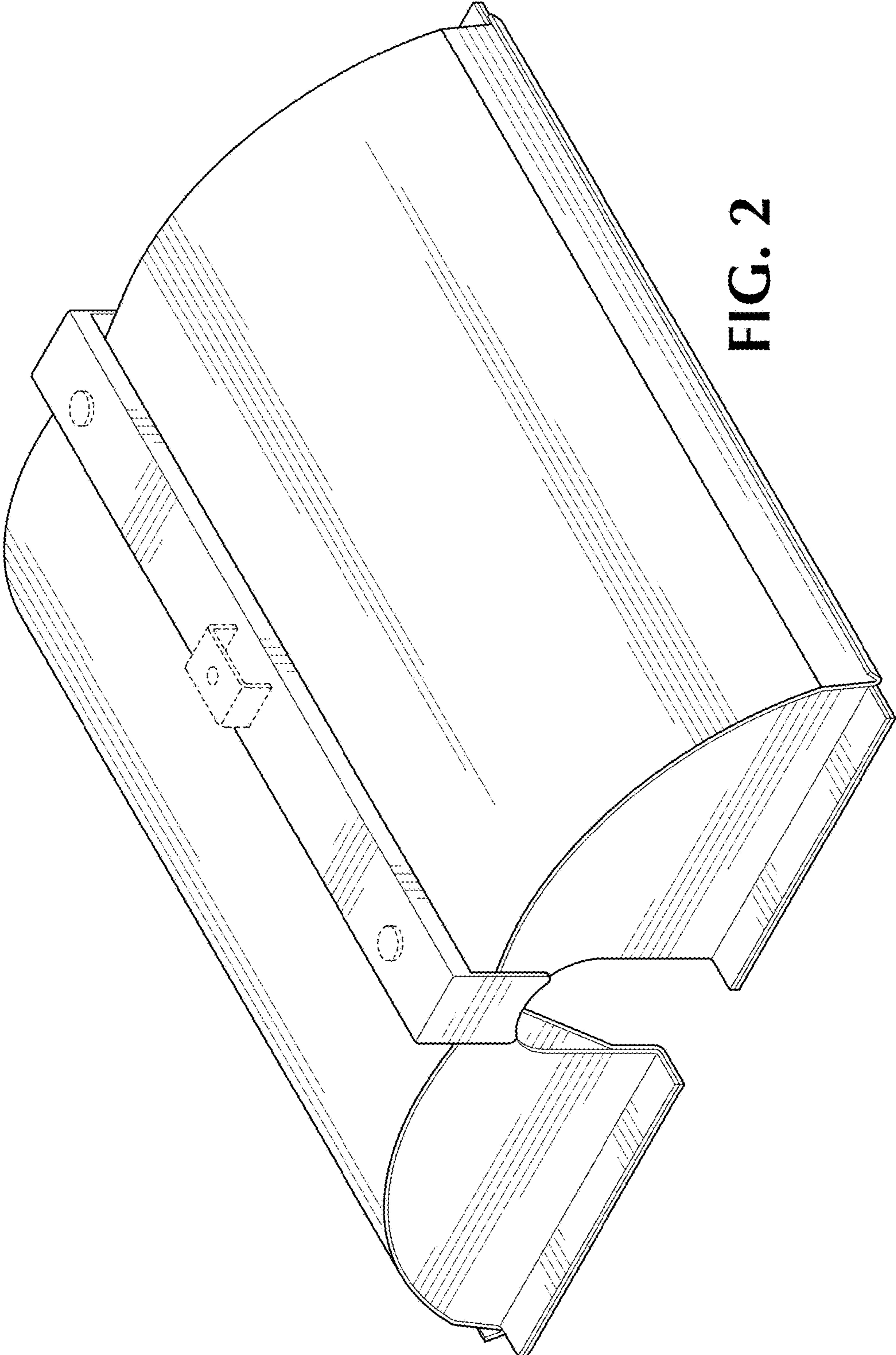


FIG. 2

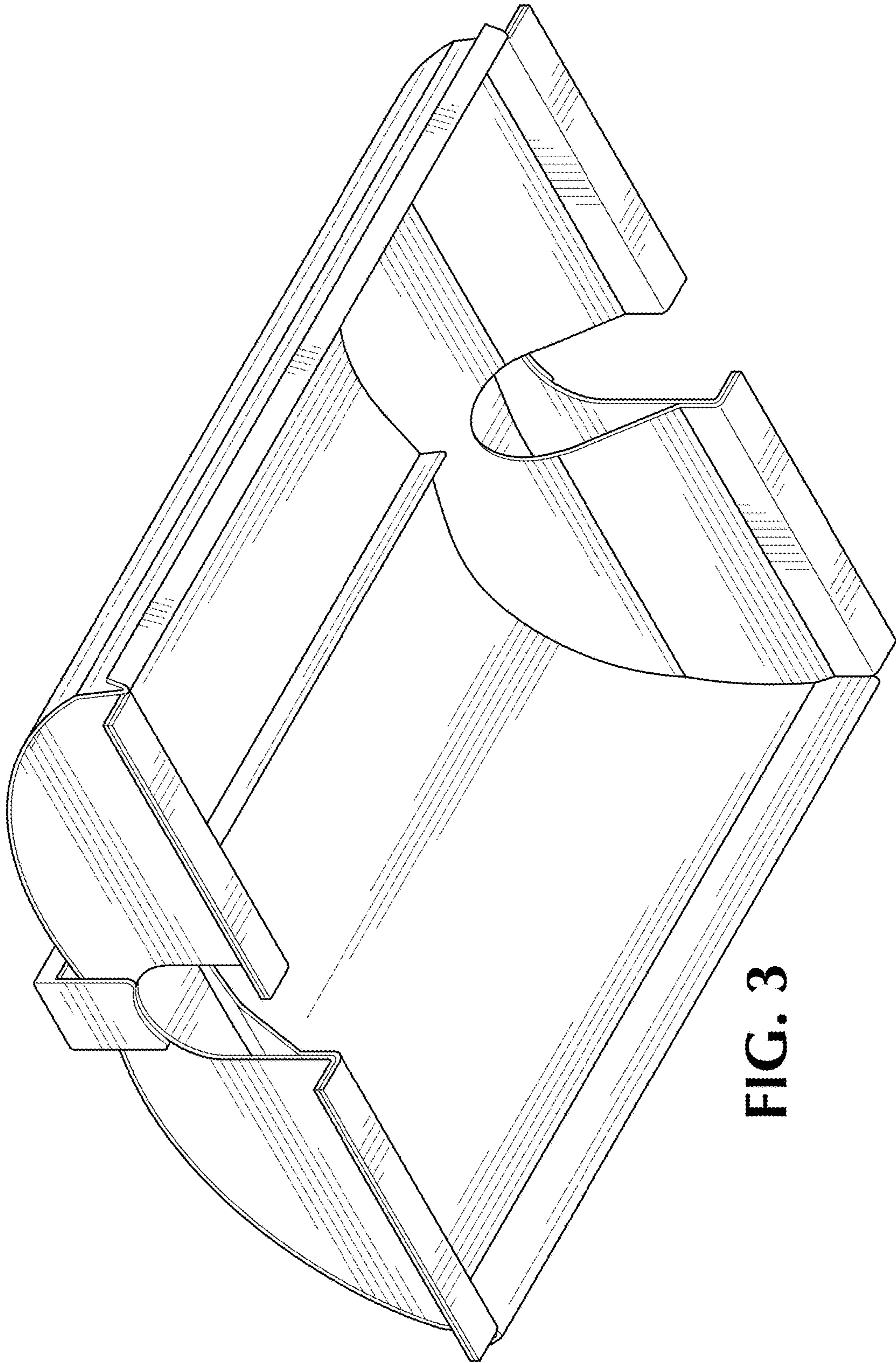


FIG. 3

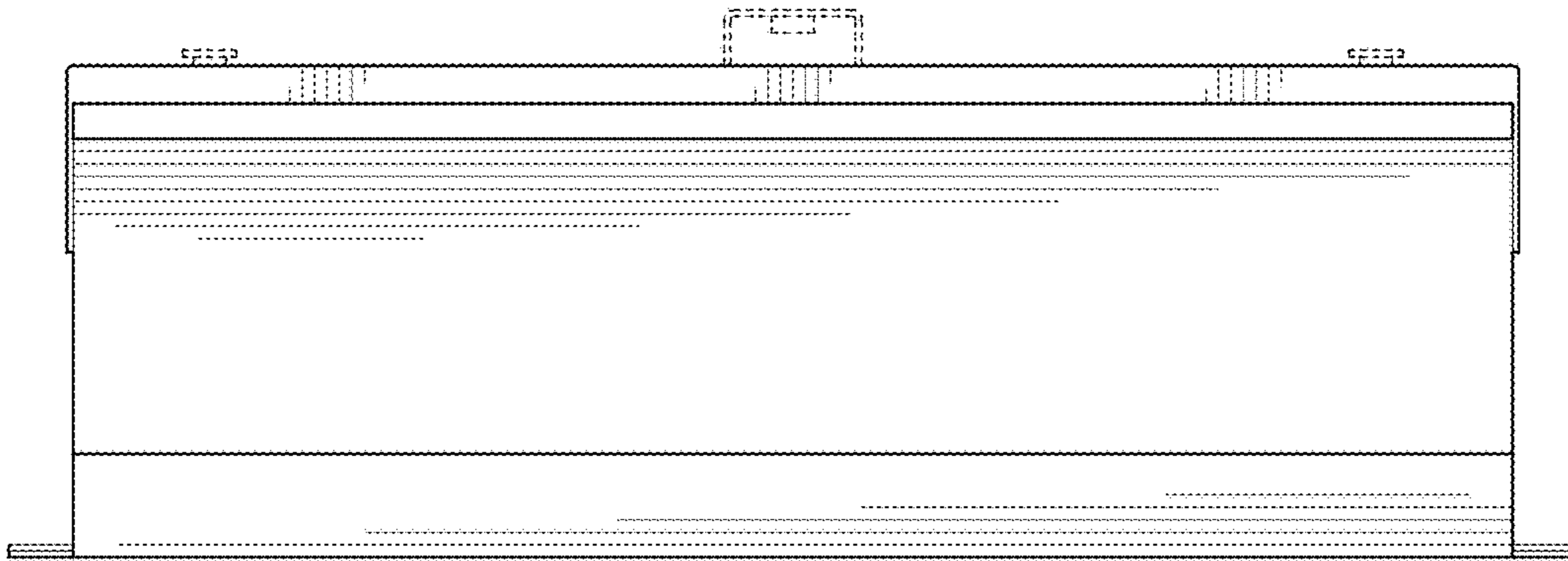


FIG. 4

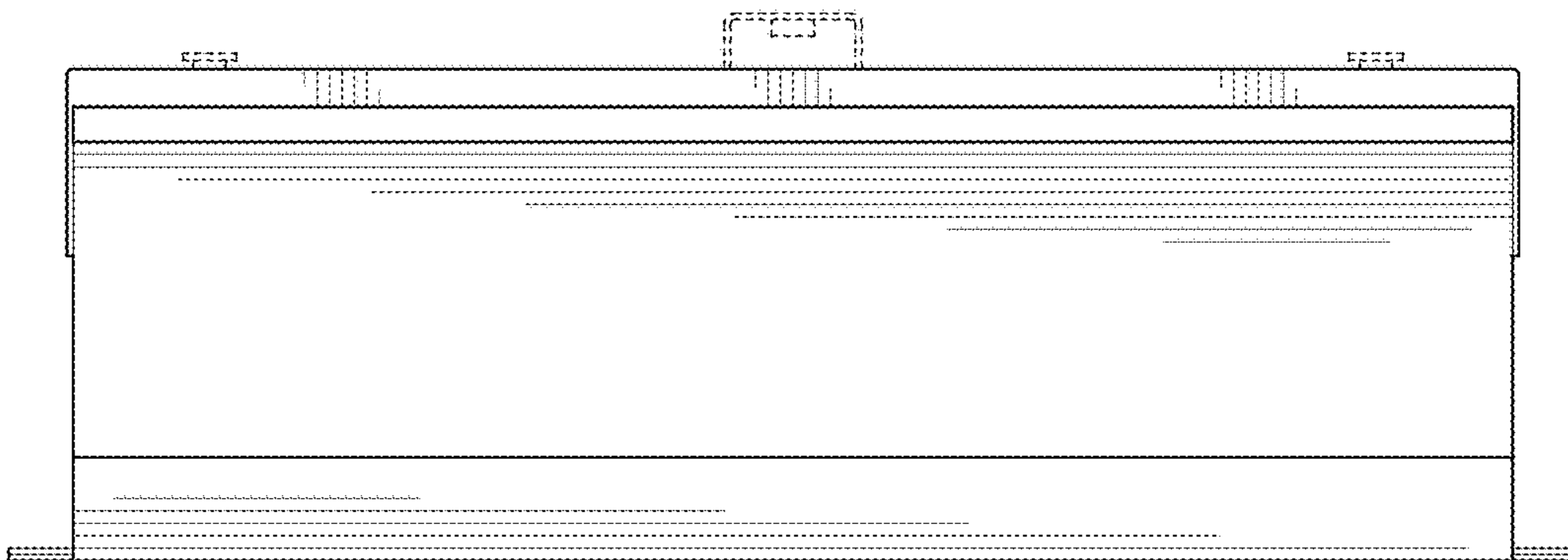


FIG. 5

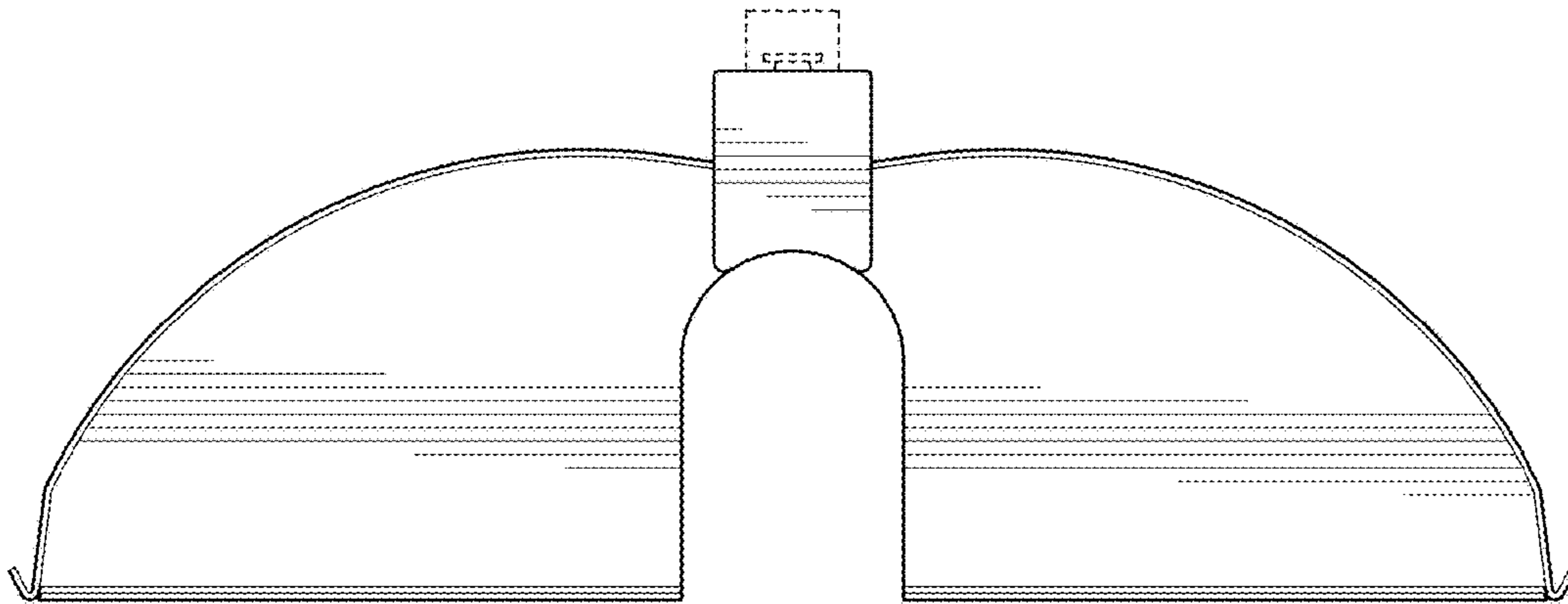


FIG. 6

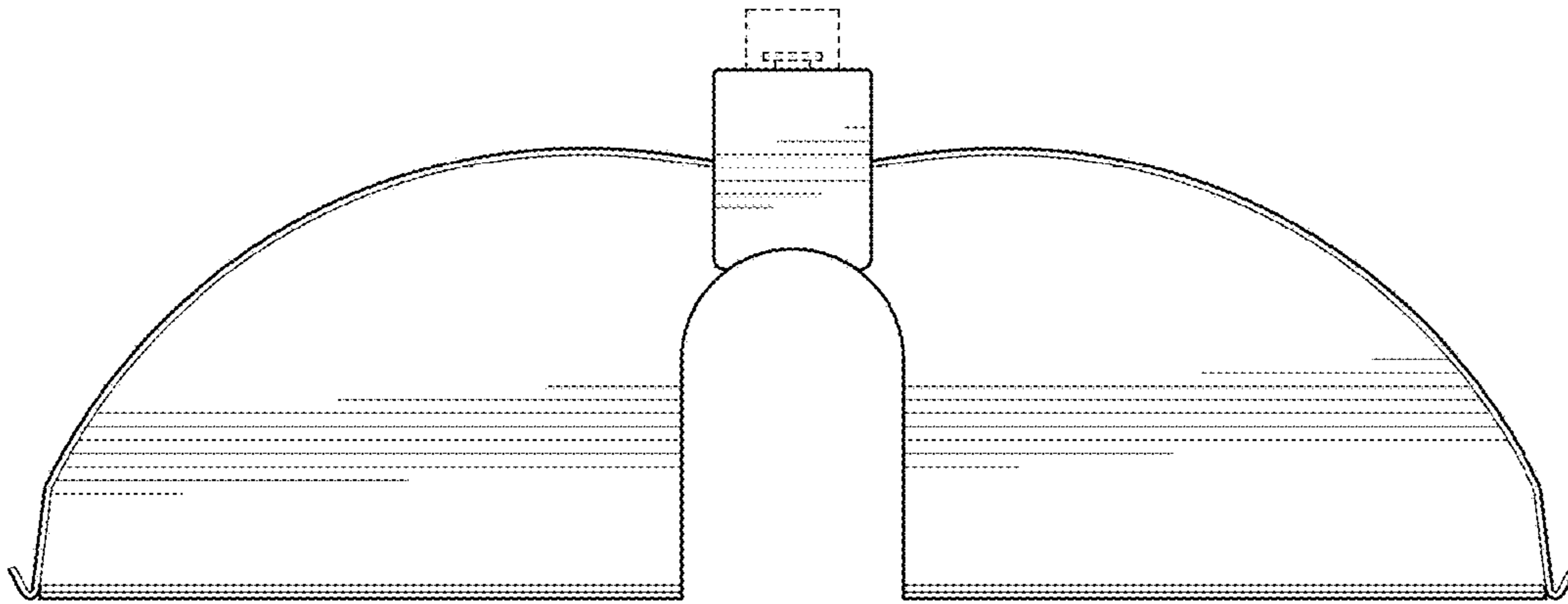


FIG. 7

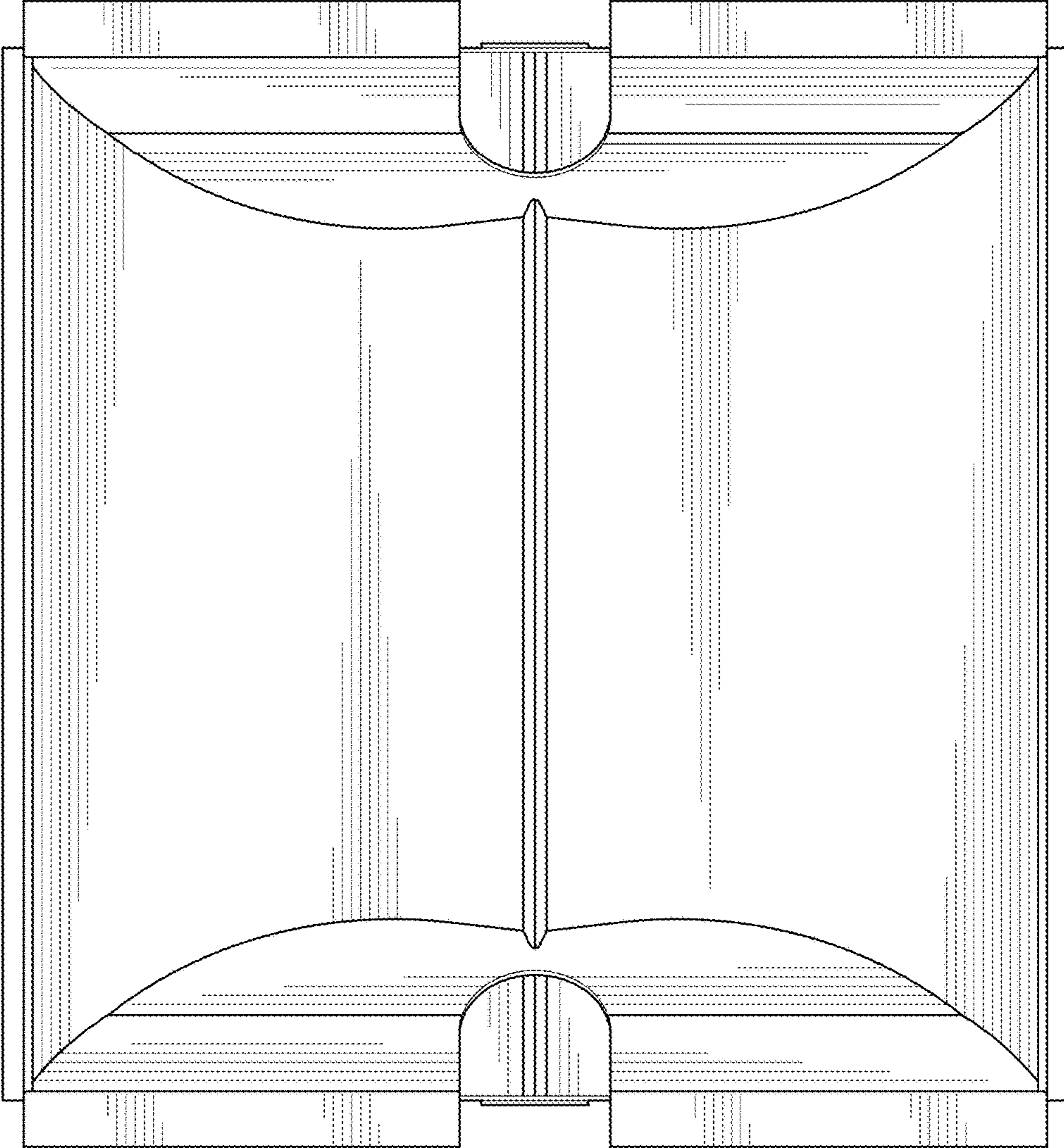


FIG. 8

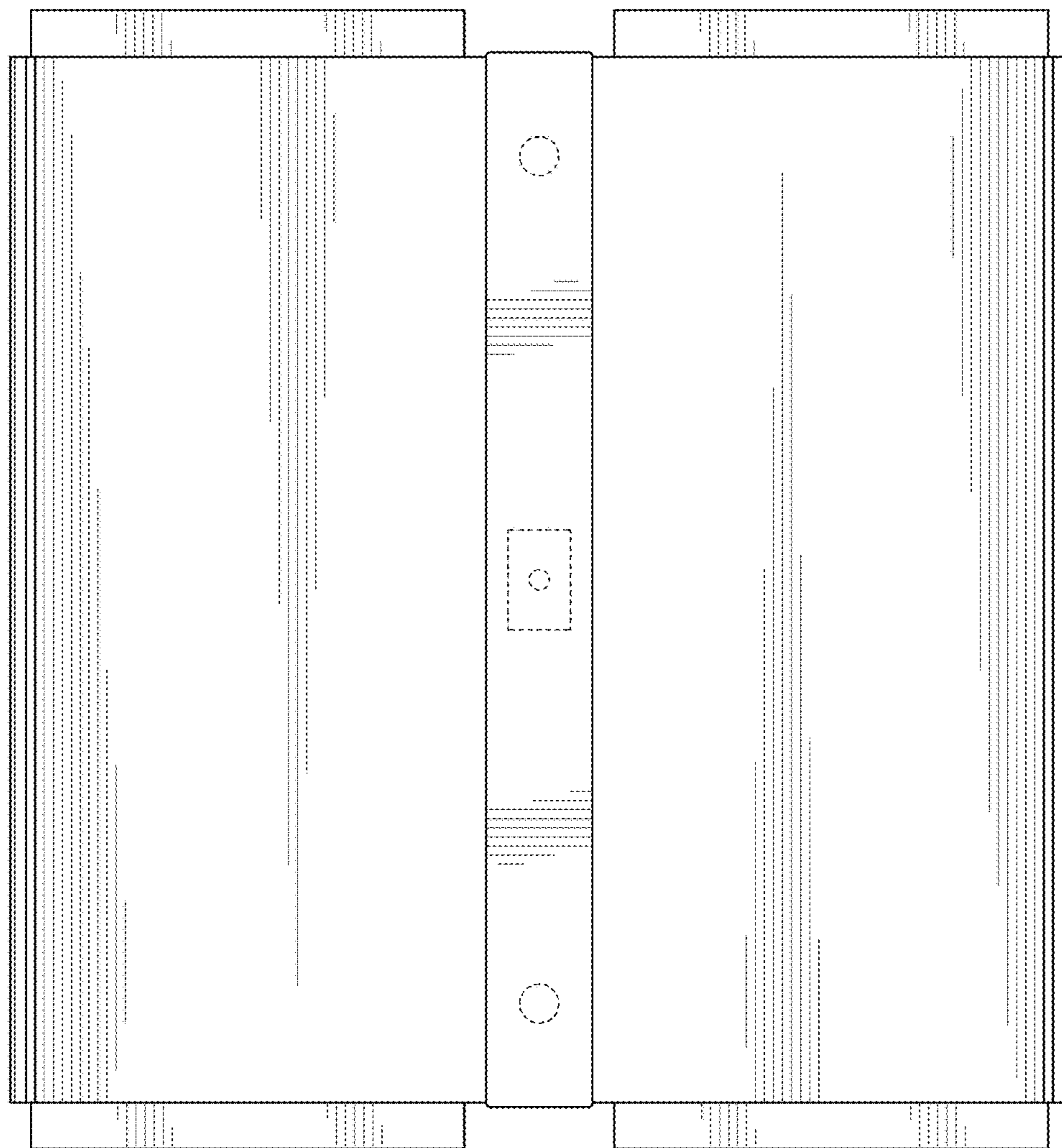


FIG. 9

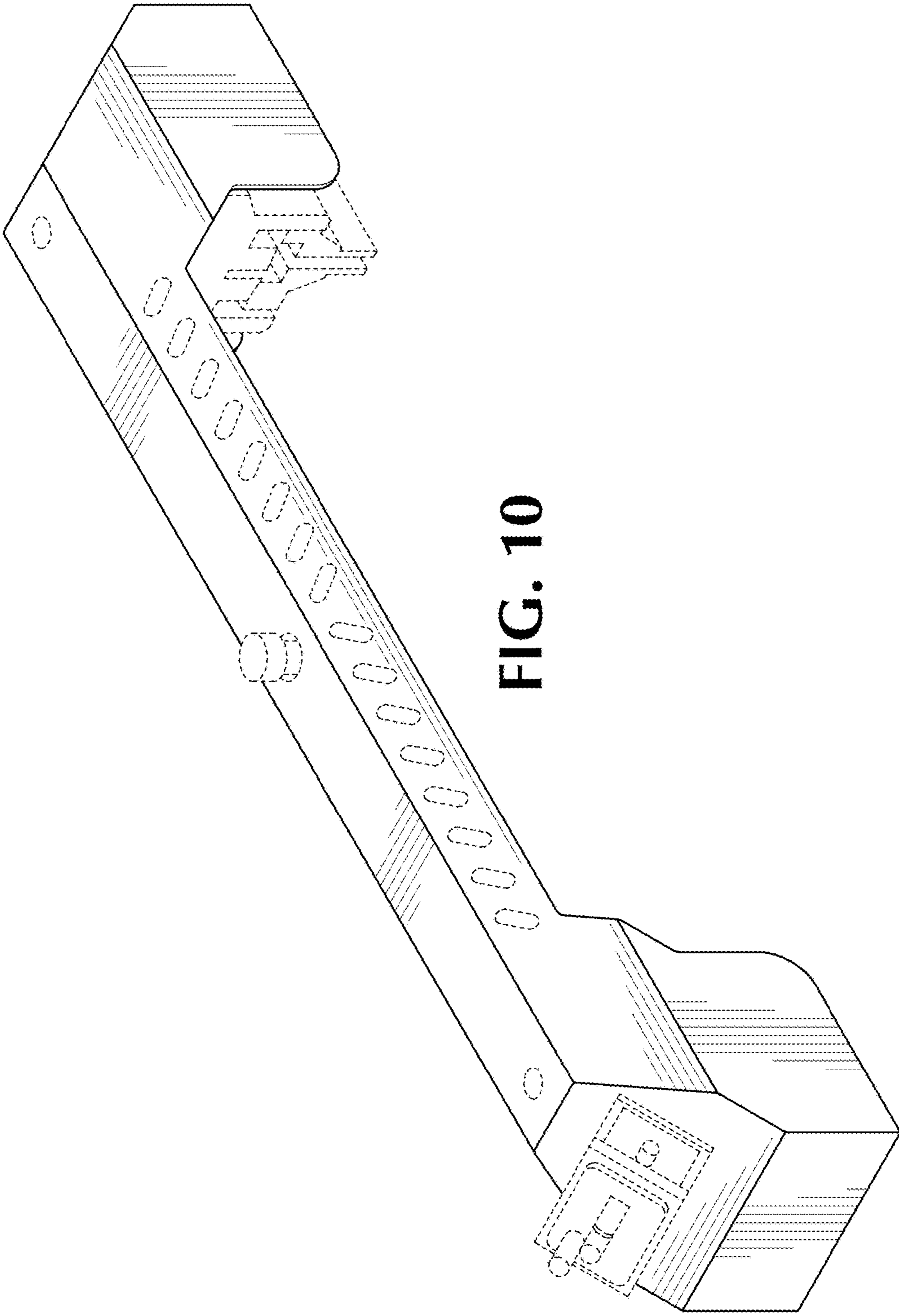


FIG. 10

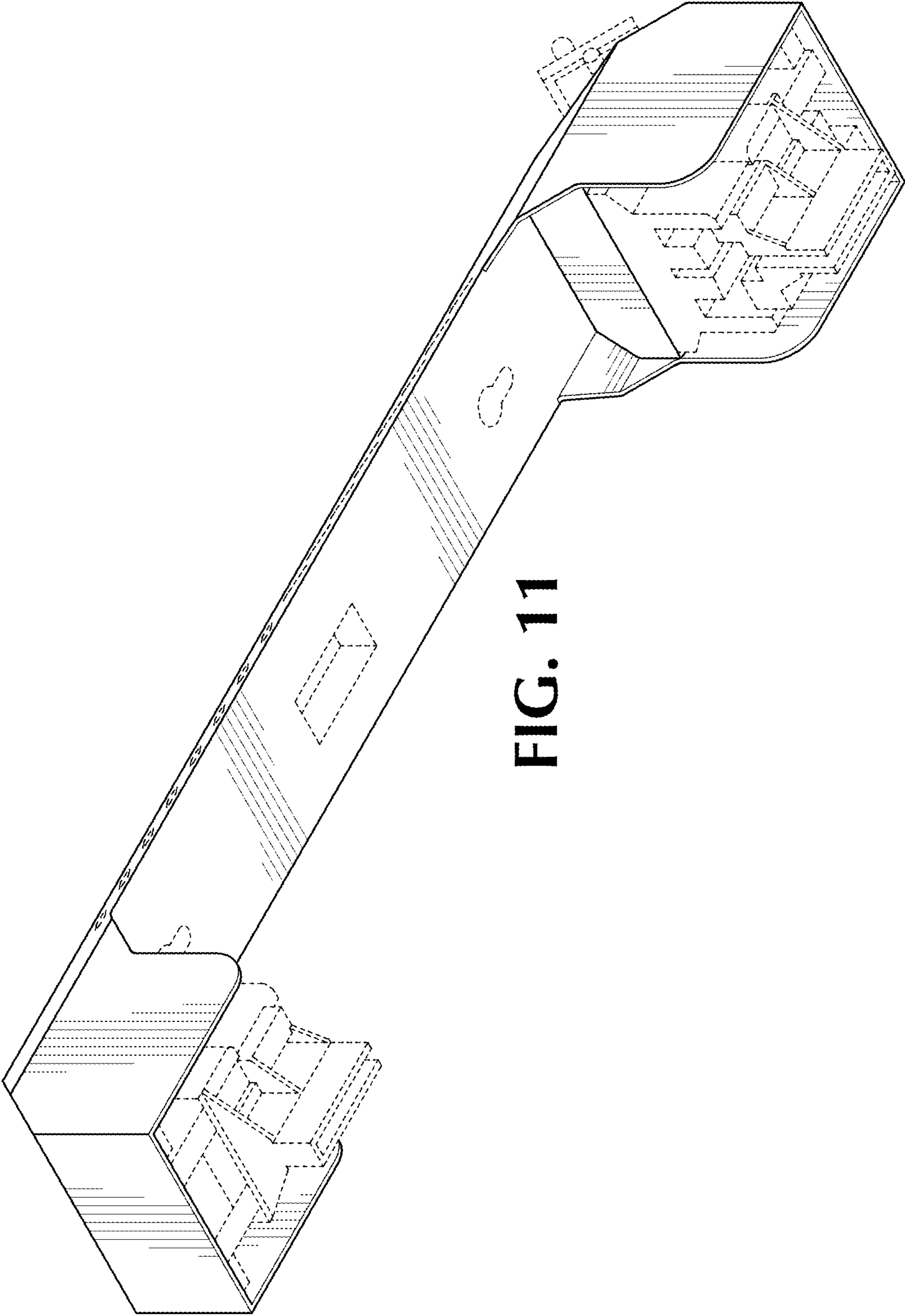


FIG. 11

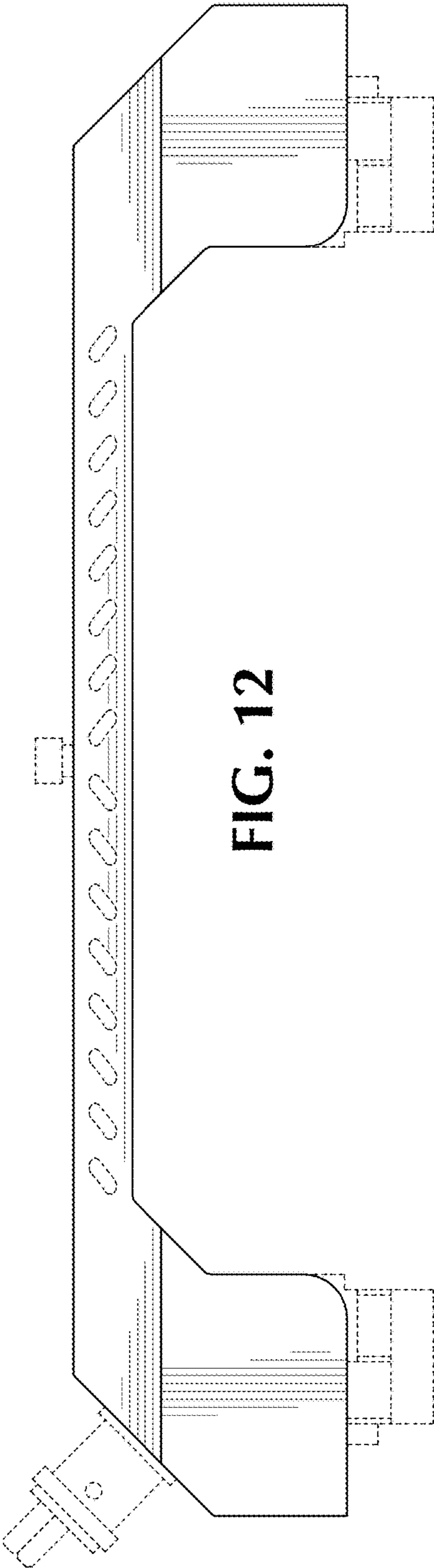


FIG. 12

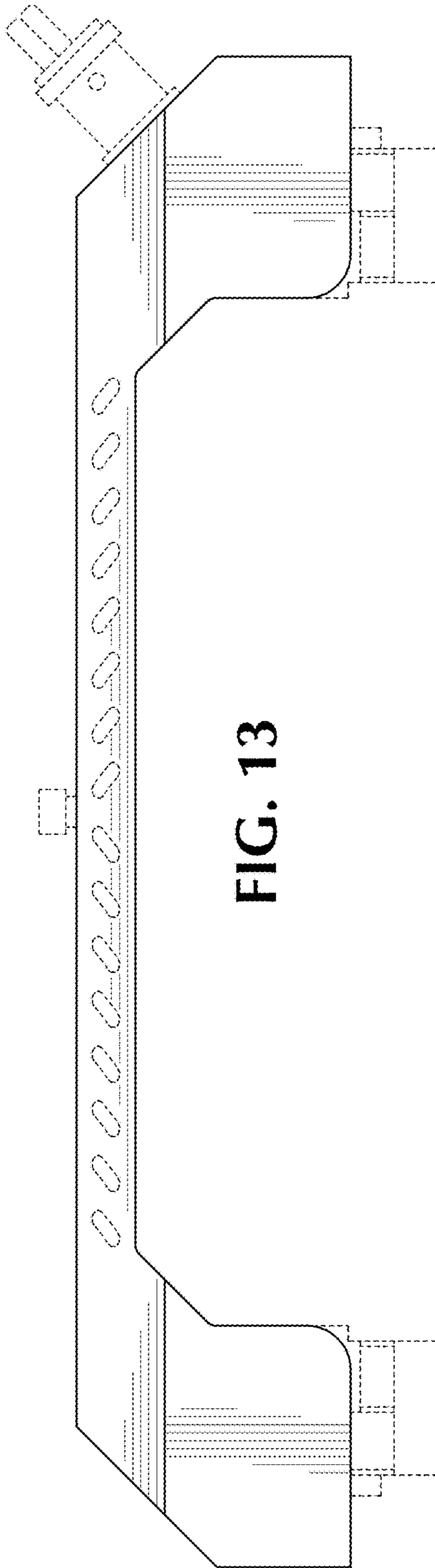


FIG. 13

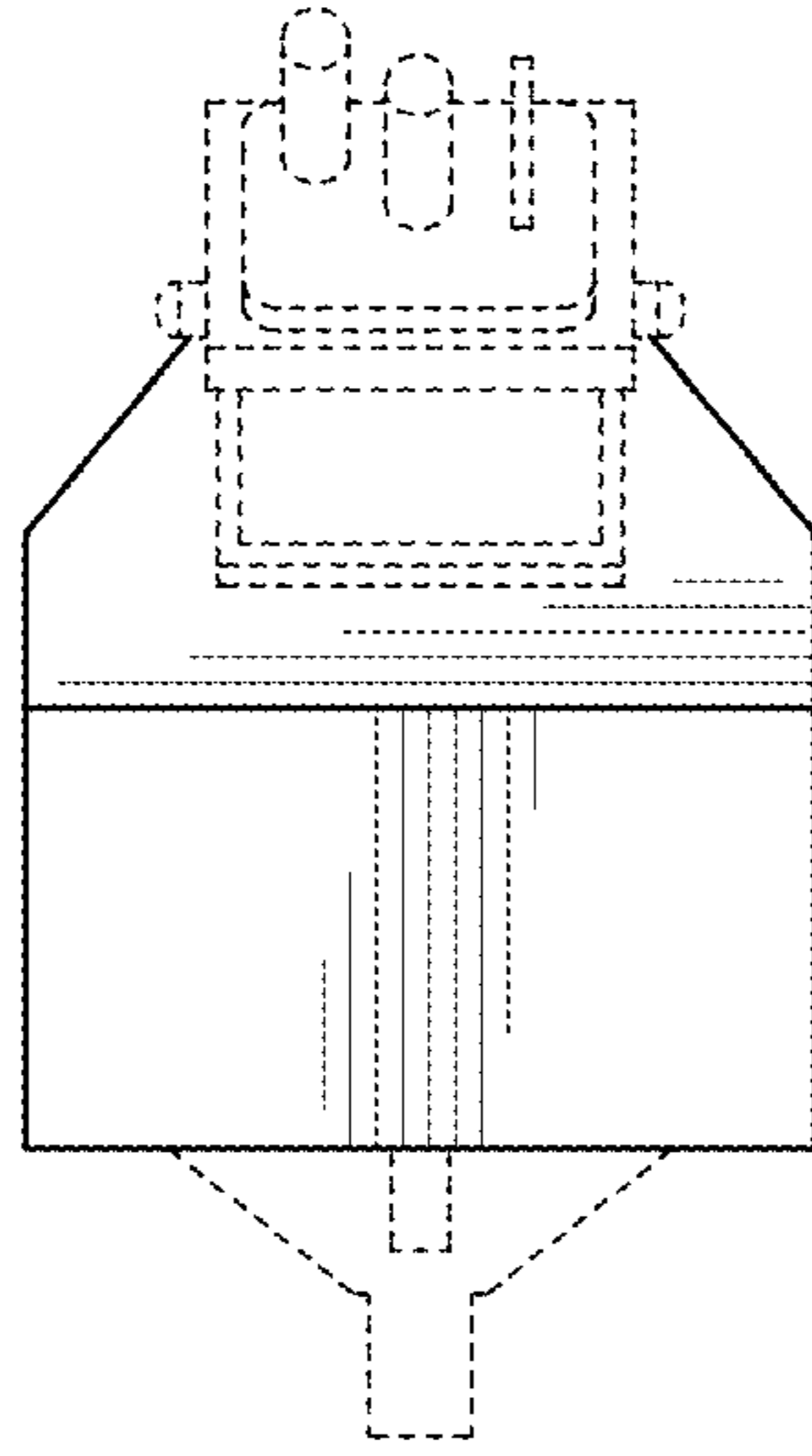


FIG. 14

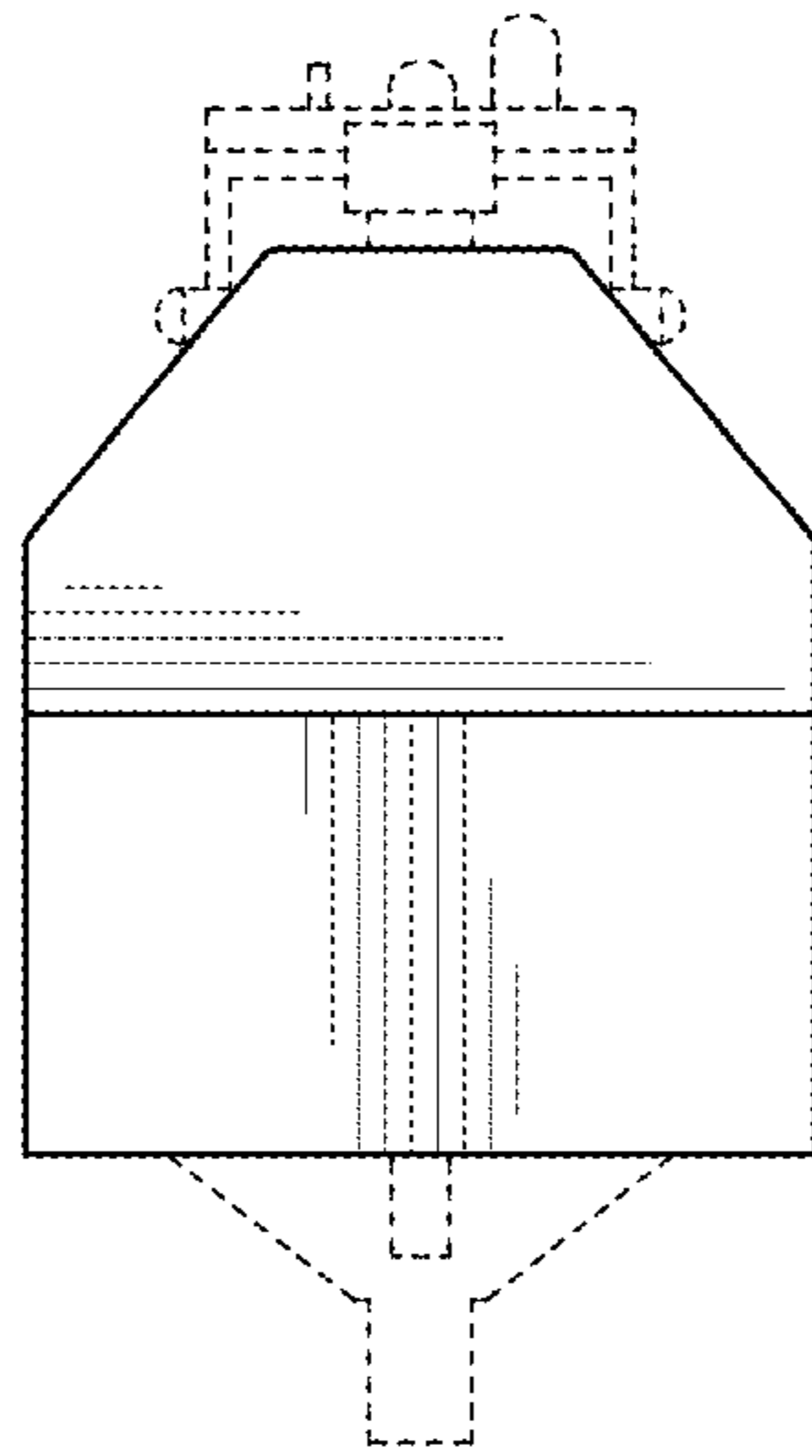


FIG. 15

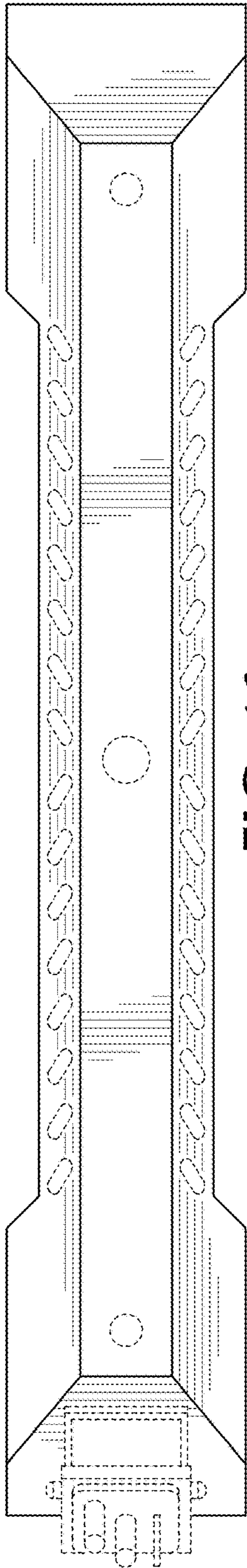


FIG. 16

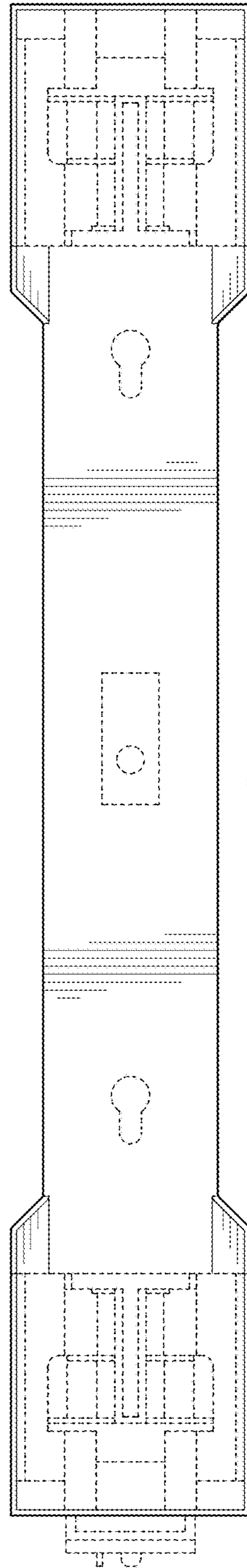


FIG. 17