



US00D797351S

(12) **United States Design Patent** (10) **Patent No.:** **US D797,351 S**
Stanley (45) **Date of Patent:** **** Sep. 12, 2017**

(54) **INTERCHANGEABLE REFLECTOR LIGHT FIXTURE**

(71) Applicant: **IP Holdings, LLC**, Vancouver, WA (US)

(72) Inventor: **John Stanley**, Vancouver, WA (US)

(73) Assignee: **IP Holdings, LLC**, Vancouver, WA (US)

(**) Term: **15 Years**

(21) Appl. No.: **29/585,608**

(22) Filed: **Nov. 28, 2016**

Related U.S. Application Data

(63) Continuation of application No. 29/538,477, filed on Sep. 3, 2015, now Pat. No. Des. 775,405.

(51) **LOC (10) Cl.** **26-99**

(52) **U.S. Cl.**
USPC **D26/118**

(58) **Field of Classification Search**
USPC ... D26/9, 10, 12, 13, 15, 16, 24, 51, 61, 72, D26/76, 80, 81, 85, 86, 88, 90, 113, 118, D26/119, 120, 122, 128, 129, 138, 143, D26/144
CPC B60Q 1/04; B60Q 1/26; F21S 8/026; F21S 8/04; F21V 29/004; F21V 21/02; F21V 21/04; F21V 29/2212; F21V 7/22; F21V 29/83; F21V 37/002; F21V 7/00; F21L 19/00; F23D 11/443; F21Y 2101/02; A61L 9/037

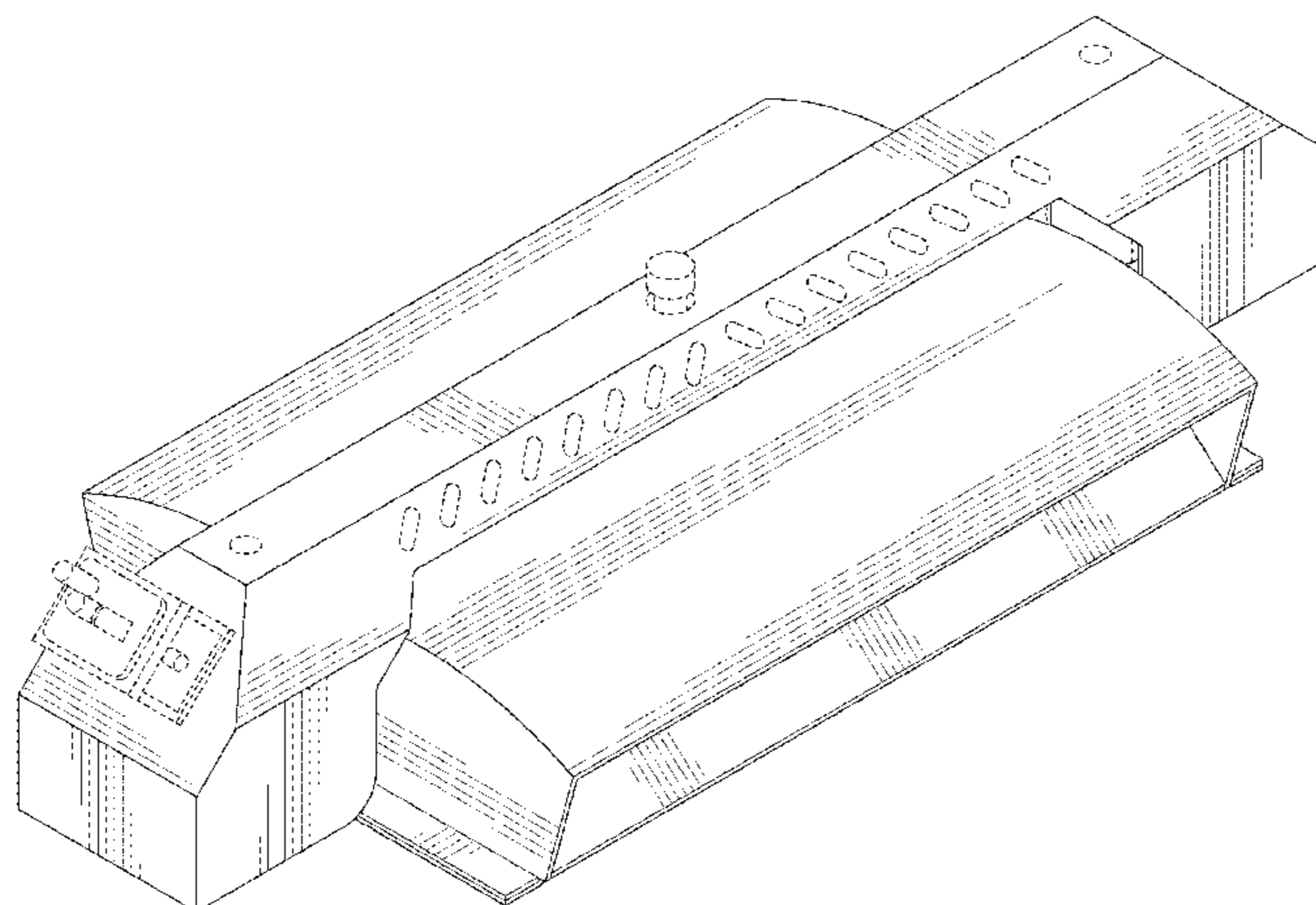
See application file for complete search history.

(56) **References Cited**

U.S. PATENT DOCUMENTS

D106,614 S 10/1937 Waterbury
D123,768 S 12/1940 Scribner
D132,786 S 6/1942 Netting
D133,216 S 7/1942 Parlato
D135,375 S 3/1943 Biller

2,339,100 A 1/1944 Netting
D143,061 S 12/1945 Creed
D156,014 S 11/1949 Lazerson
2,740,883 A 4/1956 Michael
2,740,885 A 4/1956 Kruger
3,272,978 A 9/1966 Jackson
4,363,371 A 12/1982 Hutchinson
D268,287 S 3/1983 Boschetti
4,531,180 A 7/1985 Hernandez
4,779,178 A 10/1988 Spitz
4,814,954 A 3/1989 Spitz
4,933,821 A 6/1990 Anderson
D311,597 S 10/1990 Poot
D323,897 S 2/1992 Compton
5,253,152 A 10/1993 Yang
D352,126 S 11/1994 Ruud
D377,234 S 1/1997 Roberts
D413,176 S 8/1999 Mier-Langer
6,053,624 A 4/2000 Cronk
D428,516 S * 7/2000 Reo D26/118
D447,272 S * 8/2001 Smith D26/118
D456,938 S * 5/2002 Wardenburg D26/118
D459,825 S 7/2002 Field
D465,049 S 10/2002 Ludwig
D469,564 S 1/2003 Brok
6,527,422 B1 3/2003 Hutchinson
6,595,662 B2 7/2003 Wardenburg
6,988,816 B2 1/2006 Witkowski
D542,460 S 5/2007 Hargreaves
D543,652 S * 5/2007 Hargreaves D26/118
D543,654 S 5/2007 Hargreaves
D544,131 S 6/2007 Blackman
D544,139 S 6/2007 Hargreaves
D544,626 S 6/2007 Hargreaves
D544,983 S 6/2007 Hargreaves
D544,984 S 6/2007 Hargreaves
D544,985 S 6/2007 Hargreaves
D544,987 S 6/2007 Hargreaves
D544,995 S * 6/2007 Hargreaves D26/118
D545,484 S * 6/2007 Hargreaves D26/118
D545,485 S * 6/2007 Hargreaves D26/118
D586,030 S 2/2009 Genova
7,524,090 B2 4/2009 Hargreaves
7,534,011 B2 5/2009 Townsley
D613,900 S 4/2010 Hargreaves
D614,801 S * 4/2010 Collins D26/118
7,722,208 B1 5/2010 Dupre
7,722,228 B2 5/2010 Broer
D633,640 S 3/2011 Wauters
D634,060 S * 3/2011 Wardenburg D26/118
D634,468 S 3/2011 Hargreaves
D634,469 S * 3/2011 Hargreaves D26/118
D637,162 S 5/2011 Bridgman



| | | | | |
|--------------|------|---------|-------------|------------------------|
| D637,752 | S | 5/2011 | Mekhtarian | |
| 7,959,331 | B2 | 6/2011 | Ho | |
| 7,972,044 | B2 | 7/2011 | Burkhauser | |
| D661,833 | S | 6/2012 | Imajo | |
| 8,209,912 | B2 | 7/2012 | Hargreaves | |
| D669,204 | S | 10/2012 | Snell | |
| D670,850 | S | 11/2012 | Helenowski | |
| D672,911 | S | 12/2012 | Mayfield | |
| D675,369 | S * | 1/2013 | Michaud | D26/118 |
| 8,348,481 | B2 | 1/2013 | Chang | |
| D676,185 | S | 2/2013 | Piepgas | |
| D678,599 | S | 3/2013 | Boyer | |
| D683,064 | S | 5/2013 | Tuck | |
| D693,959 | S * | 11/2013 | Boyer | D26/118 |
| D698,986 | S * | 2/2014 | Reynolds | D26/118 |
| D698,987 | S | 2/2014 | Stanley | |
| 8,905,575 | B2 * | 12/2014 | Durkee | F21V 7/0008 362/218 |
| D725,819 | S | 3/2015 | Reynolds | |
| 8,998,473 | B1 | 4/2015 | Anderson | |
| 9,010,970 | B2 | 4/2015 | Guercio | |
| 9,016,907 | B2 | 4/2015 | Stanley | |
| D731,701 | S * | 6/2015 | Hargreaves | D26/118 |
| D732,233 | S | 6/2015 | Reynolds | |
| D732,235 | S * | 6/2015 | Reynolds | D26/118 |
| D732,236 | S * | 6/2015 | Reynolds | D26/118 |
| D736,450 | S * | 8/2015 | Reynolds | D26/118 |
| D737,134 | S | 8/2015 | Thompson | |
| D737,498 | S | 8/2015 | Stanley | |
| 9,110,209 | B2 | 8/2015 | Blessitt | |
| D739,595 | S | 9/2015 | Reynolds | |
| D740,486 | S * | 10/2015 | Stanley | D26/118 |
| D747,029 | S * | 1/2016 | Reynolds | D26/118 |
| D748,849 | S * | 2/2016 | Stanley | D26/118 |
| D750,312 | S | 2/2016 | Reynolds | |
| D750,316 | S * | 2/2016 | Reynolds | D26/118 |
| D751,244 | S * | 3/2016 | Reynolds | D26/118 |
| D751,247 | S * | 3/2016 | Reynolds | D26/118 |
| 9,279,550 | B2 | 3/2016 | Torabifard | |
| D757,323 | S | 5/2016 | Reynolds | |
| D762,320 | S | 7/2016 | Reynolds | |
| D765,306 | S | 8/2016 | Wardenburg | |
| D767,193 | S | 9/2016 | Jung | |
| 9,453,639 | B2 | 9/2016 | Mandy | |
| D769,514 | S | 10/2016 | Reynolds | |
| D770,670 | S | 11/2016 | Reynolds | |
| D770,671 | S | 11/2016 | Reynolds | |
| D775,405 | S | 12/2016 | Stanley | |
| D779,703 | S | 2/2017 | Stanley | |
| D783,888 | S | 4/2017 | Reynolds | |
| 2001/0023173 | A1 | 9/2001 | Schiedegger | |
| 2002/0141195 | A1 | 10/2002 | Wardenburg | |
| 2008/0205030 | A1 | 8/2008 | Hargreaves | |
| 2008/0205071 | A1 | 8/2008 | Townsley | |
| 2008/0219008 | A1 | 9/2008 | Schaefer | |
| 2008/0278950 | A1 | 11/2008 | Pickard | |
| 2009/0262540 | A1 | 10/2009 | Hargreaves | |
| 2009/0262543 | A1 | 10/2009 | Ho | |
| 2009/0310373 | A1 | 12/2009 | Burkhauser | |
| 2009/0323335 | A1 | 12/2009 | Yang | |
| 2012/0051041 | A1 | 3/2012 | Edmond | |
| 2013/0083539 | A1 | 4/2013 | Dimitriadis | |
| 2015/0082692 | A1 | 3/2015 | Wardenburg | |
| 2015/0252993 | A1 | 9/2015 | Stanley | |

FOREIGN PATENT DOCUMENTS

| | | |
|----|-------------------|--------|
| CN | ZL 20140166983.7 | 4/2015 |
| CN | ZL 201530131007.2 | 7/2015 |

OTHER PUBLICATIONS

Horticultural Lights, image post date Jul. 7, 2014, site visited Sep. 30, 2015 (online), <<http://web.archive.org/web/20140707223459/http://www.kindgreenbuds.com/cannabis-grow-bible/best-lighting-systems/>>.

Horticultural Lighting, image post date Sep. 2008, site visted Sep. 30, 2015, (online), <<http://www.dendroboard.com/forum/sponsor-classifieds/104681-grow-your-own-plants-horticulture-neherp.html>>.

Steel S Section, image post date Aug. 30, 2000, site visted Sep. 30, 2015 (online), <<http://web.archive.org/web/20000830093120/http://www.efunda.com/math/areas/RolledSteelBeamsS.cfm>>.

* cited by examiner

Primary Examiner — Brian N Vinson

(74) Attorney, Agent, or Firm — J. Douglas Wells

(57) CLAIM

The ornamental design for an interchangeable reflector light fixture, as shown and described.

DESCRIPTION

FIG. 1 is a perspective view of an interchangeable reflector light fixture, as viewed from above, showing my new design;
 FIG. 2 is a reflector component of the interchangeable reflector light fixture shown in FIG. 1, as viewed from above;
 FIG. 3 is a reflector component of the interchangeable reflector light fixture shown in FIG. 1, as viewed from below;
 FIG. 4 is a left side view of the light fixture shown in FIG. 1;
 FIG. 5 is a right side view of the light fixture shown in FIG. 1;
 FIG. 6 is a front elevation view of the light fixture shown in FIG. 1;
 FIG. 7 is a rear elevation view of the light fixture shown in FIG. 1;
 FIG. 8 is a bottom plan view of the light fixture shown in FIG. 1;
 FIG. 9 is a top plan view of the light fixture shown in FIG. 1;
 FIG. 10 is a perspective view of a reflector engaging component of an interchangeable reflector light fixture, as viewed from above, showing my new design;
 FIG. 11 is a perspective view of the reflector engaging component of an interchangeable reflector light fixture, as viewed from below, shown in FIG. 10;
 FIG. 12 is a left side view of the reflector engaging component of an interchangeable reflector light fixture, shown in FIG. 10;
 FIG. 13 is a right side view of the reflector engaging component of an interchangeable reflector light fixture, shown in FIG. 10;
 FIG. 14 is a front elevation view of the reflector engaging component of an interchangeable reflector light fixture, shown in FIG. 10;
 FIG. 15 is a rear elevation view of the reflector engaging component of an interchangeable reflector light fixture, shown in FIG. 10;
 FIG. 16 is a top plan view of the reflector engaging component of an interchangeable reflector light fixture, shown in FIG. 10; and,
 FIG. 17 is a bottom plan view of the reflector engaging component of an interchangeable reflector light fixture, shown in FIG. 10.

The broken-line disclosure shown in the views is understood to represent portions of the article in which the claimed design is embodied, but which form no part of the claimed design.

1 Claim, 10 Drawing Sheets

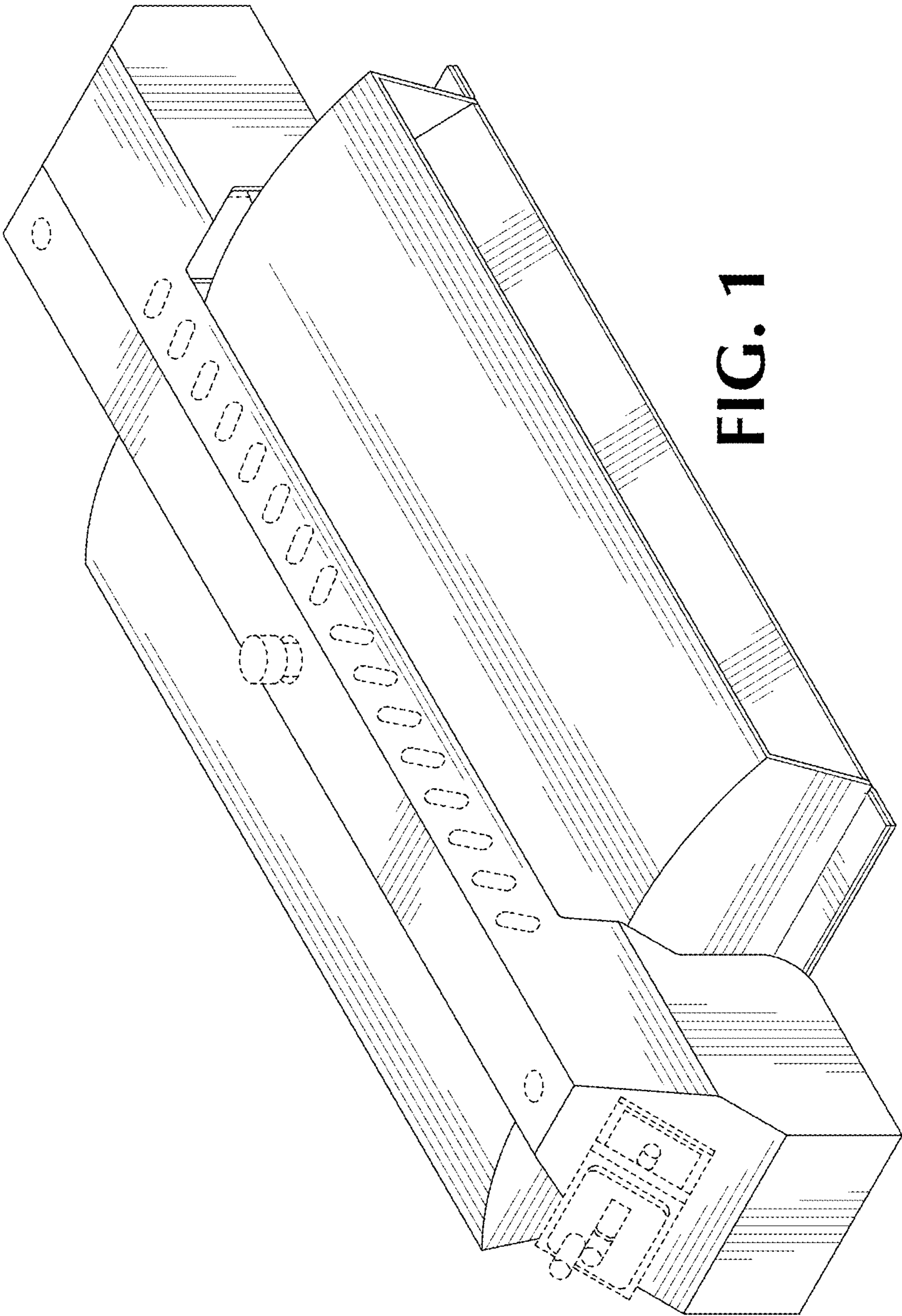


FIG. 1

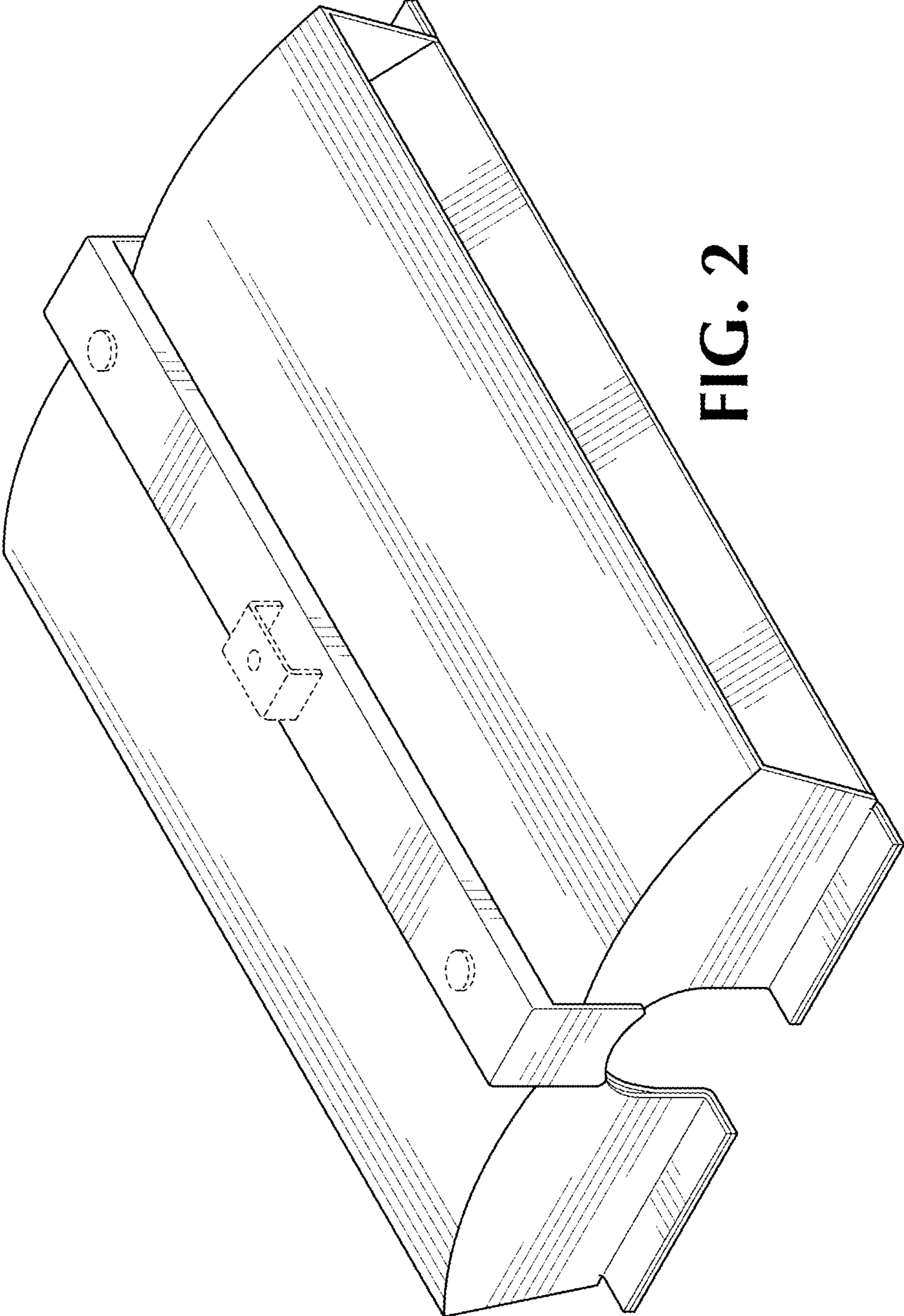


FIG. 2

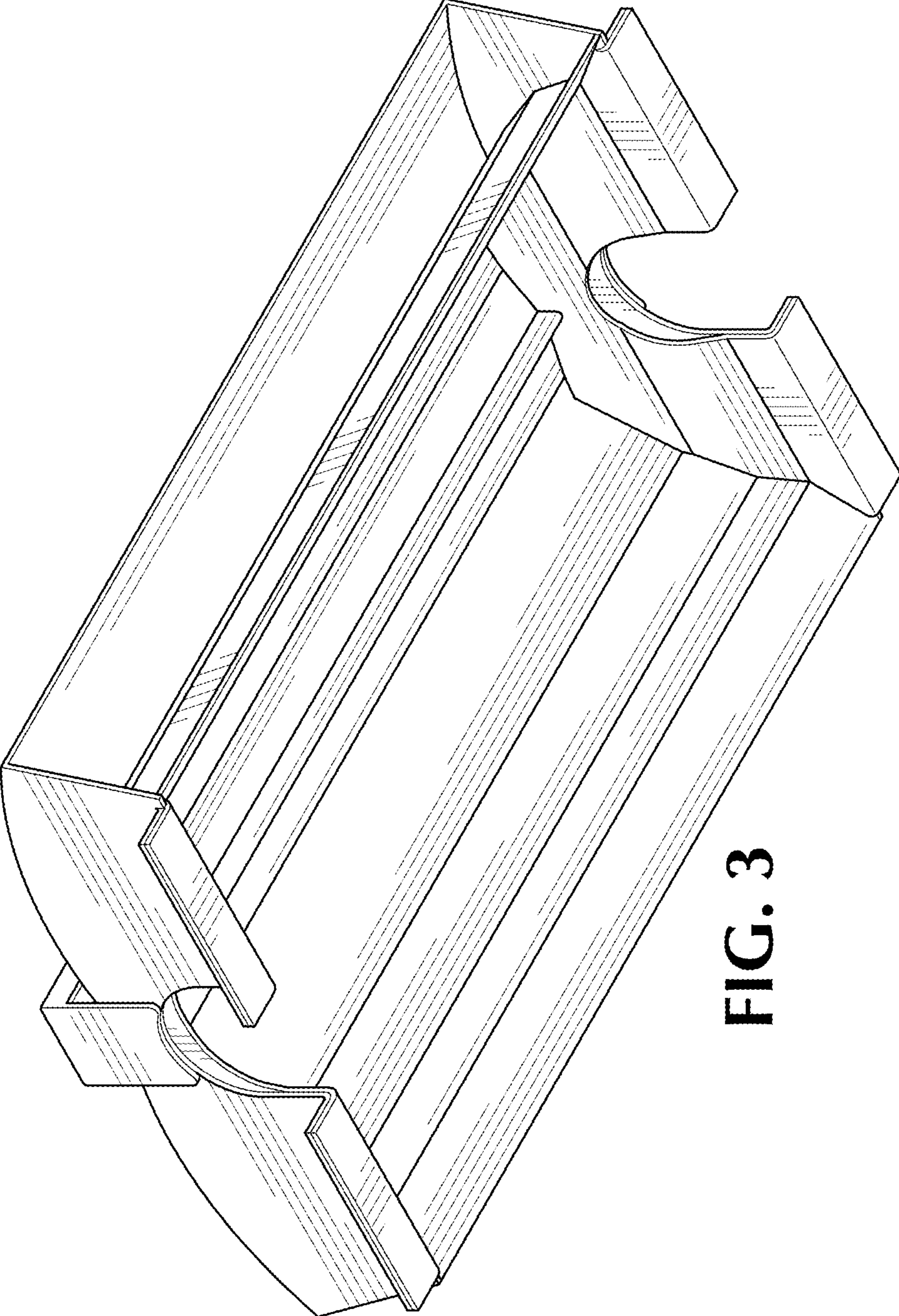


FIG. 3

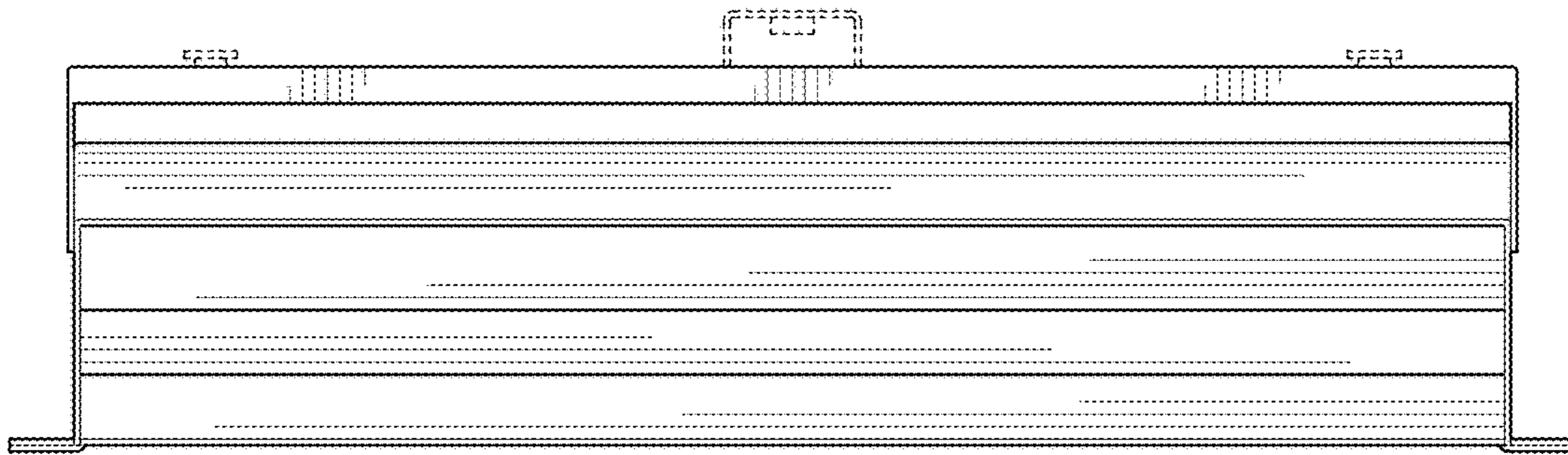


FIG. 4

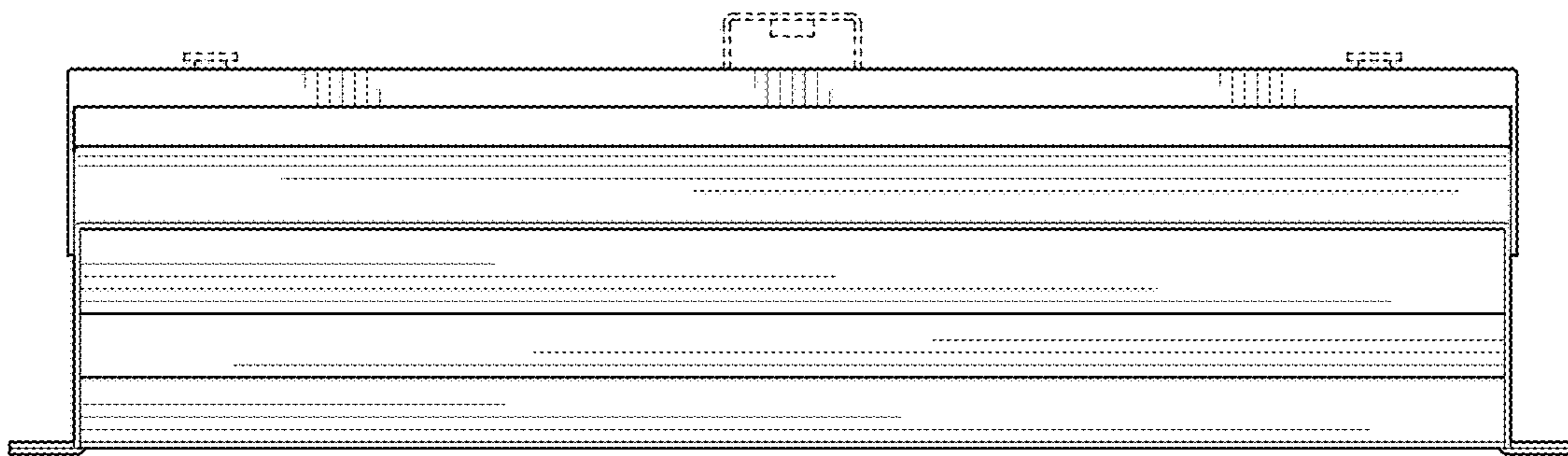


FIG. 5

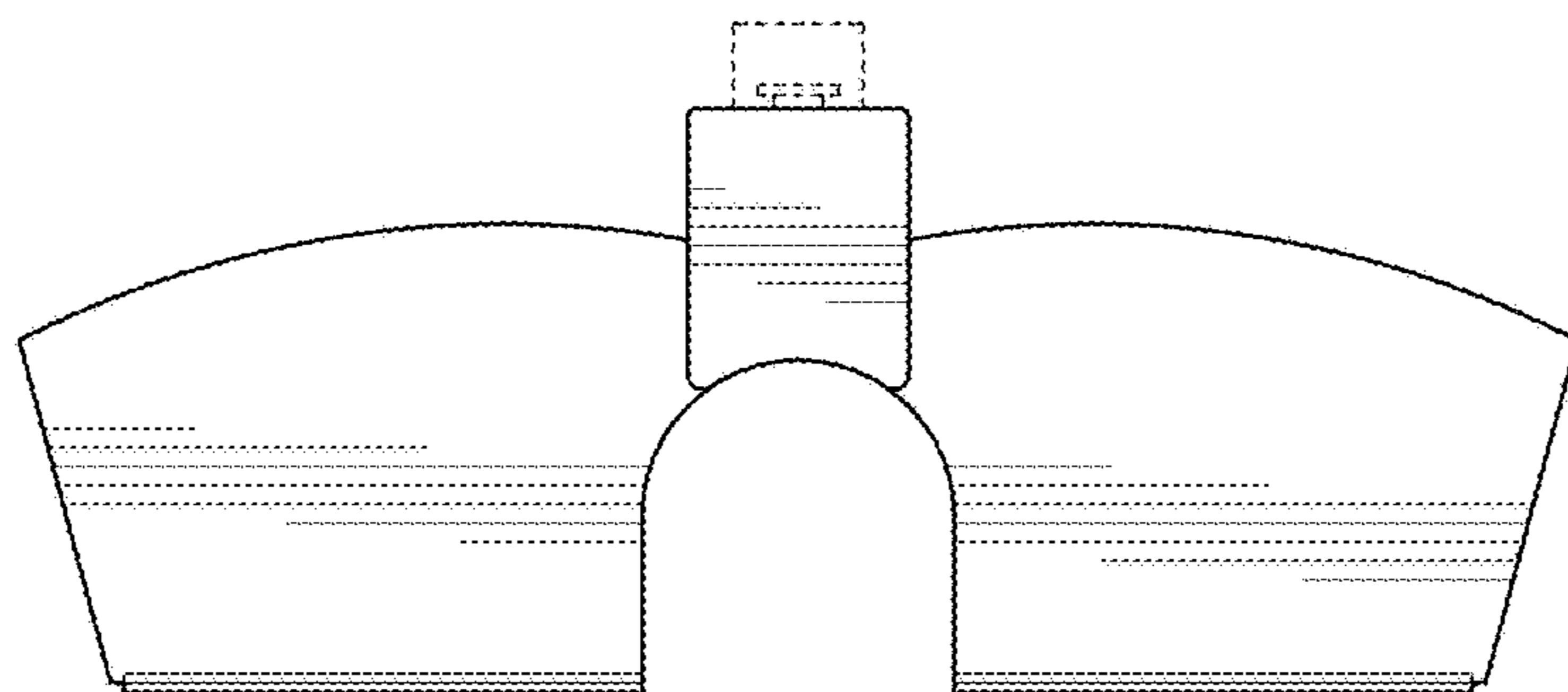


FIG. 6

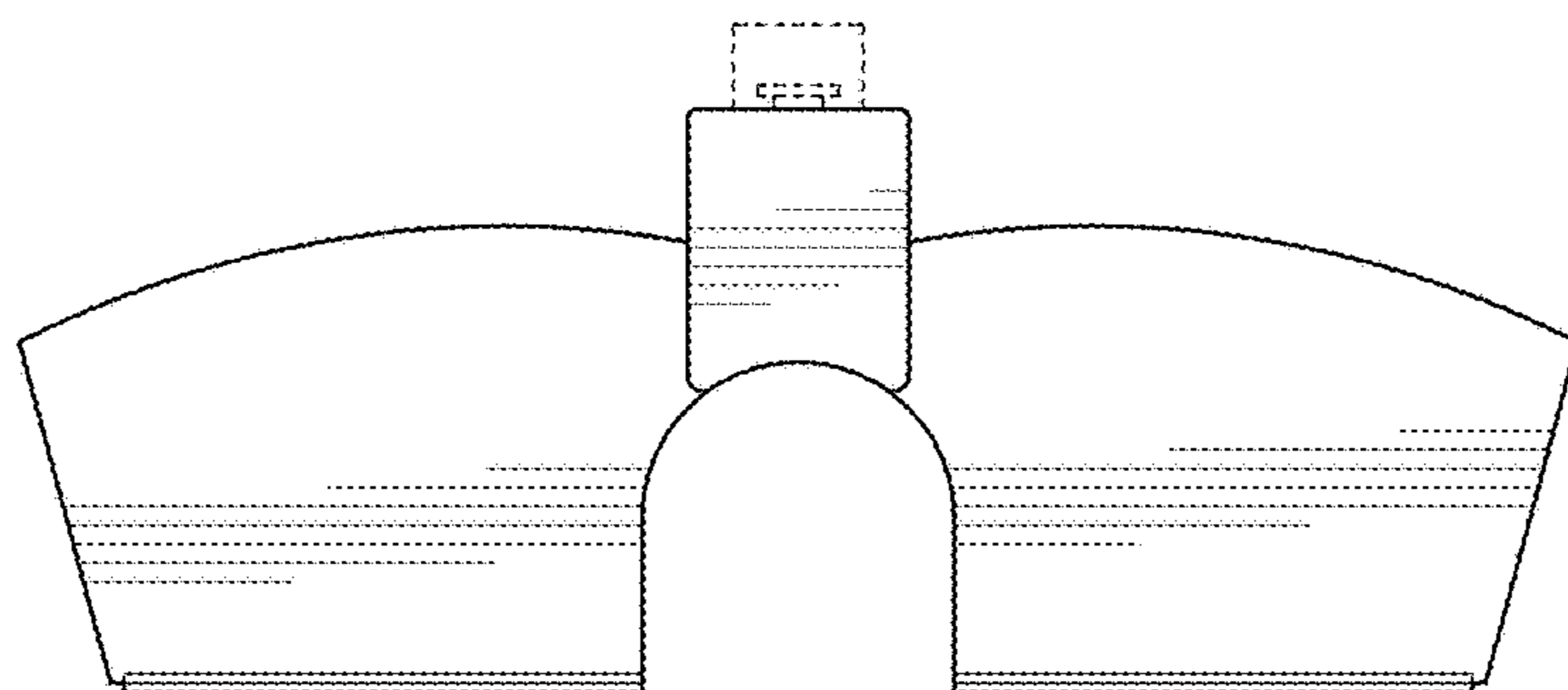


FIG. 7

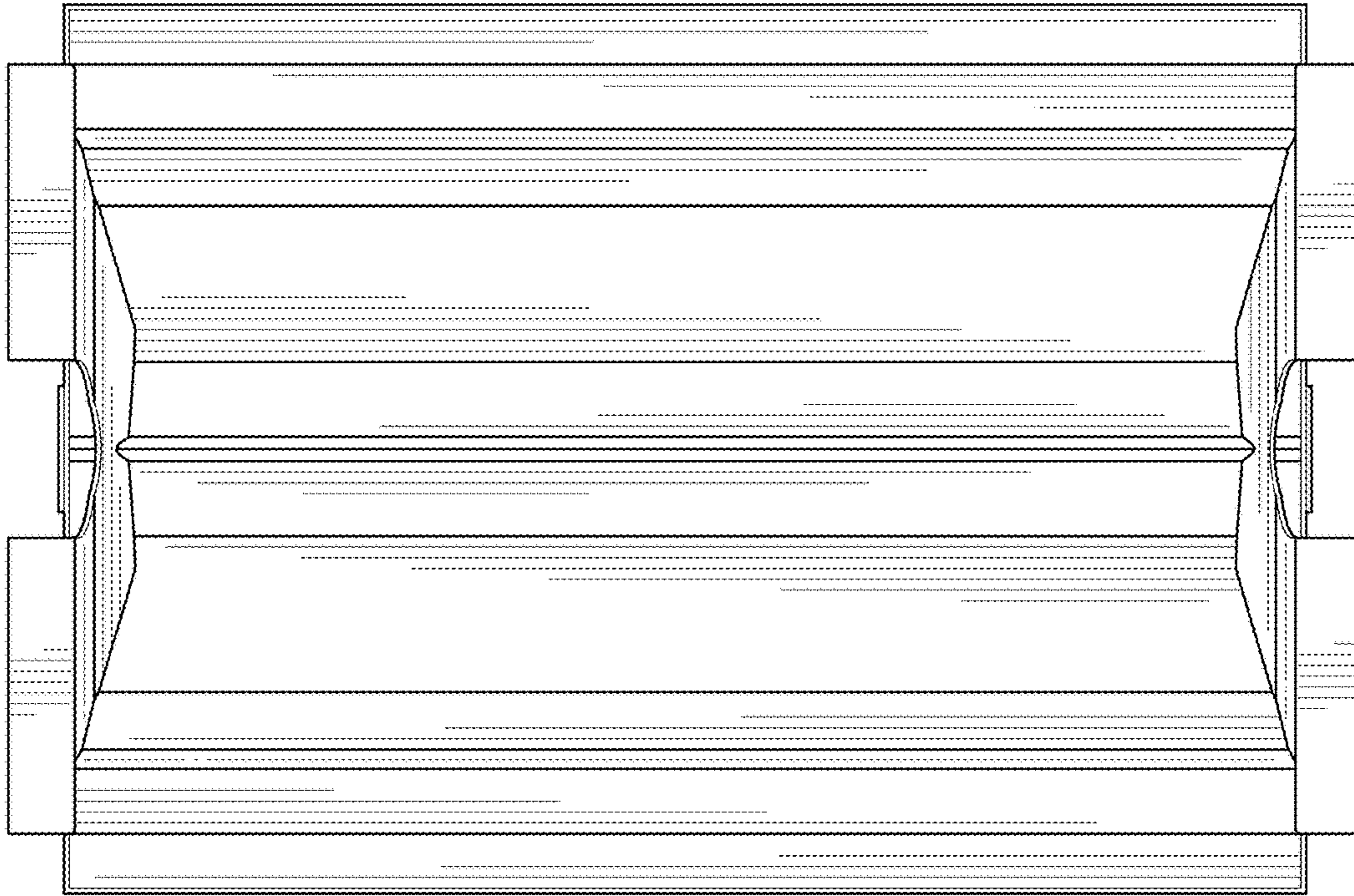


FIG. 8

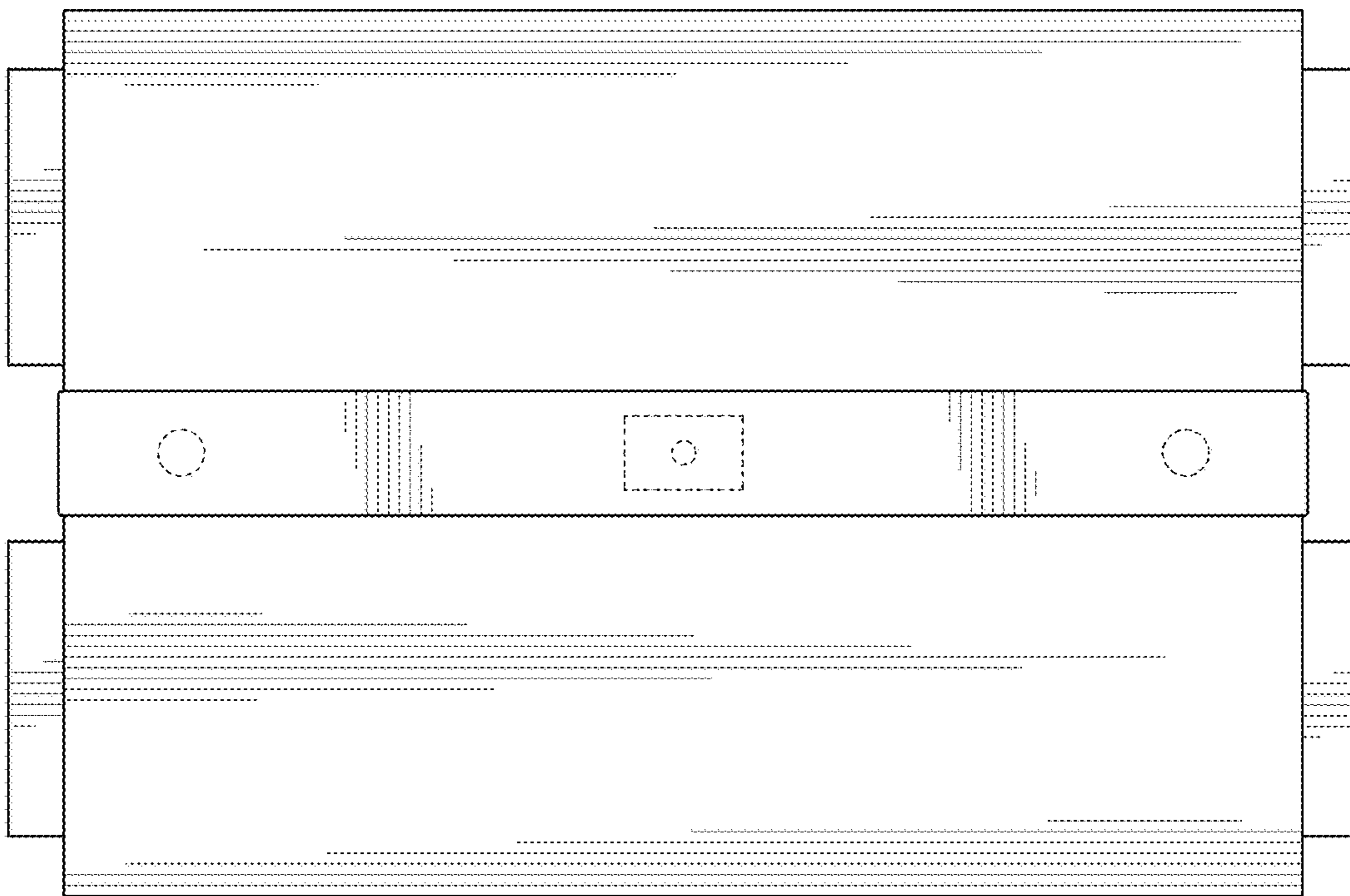


FIG. 9

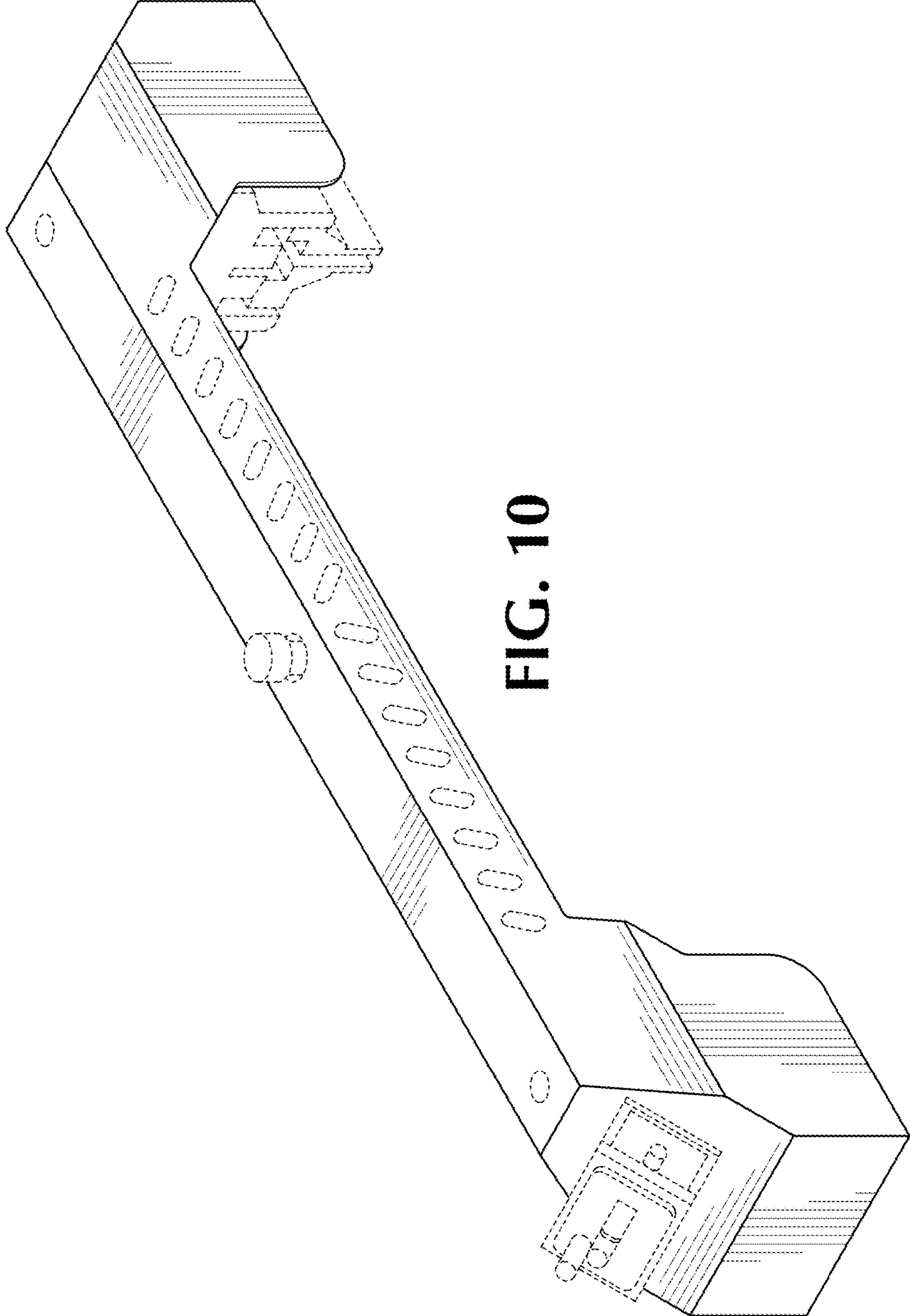


FIG. 10

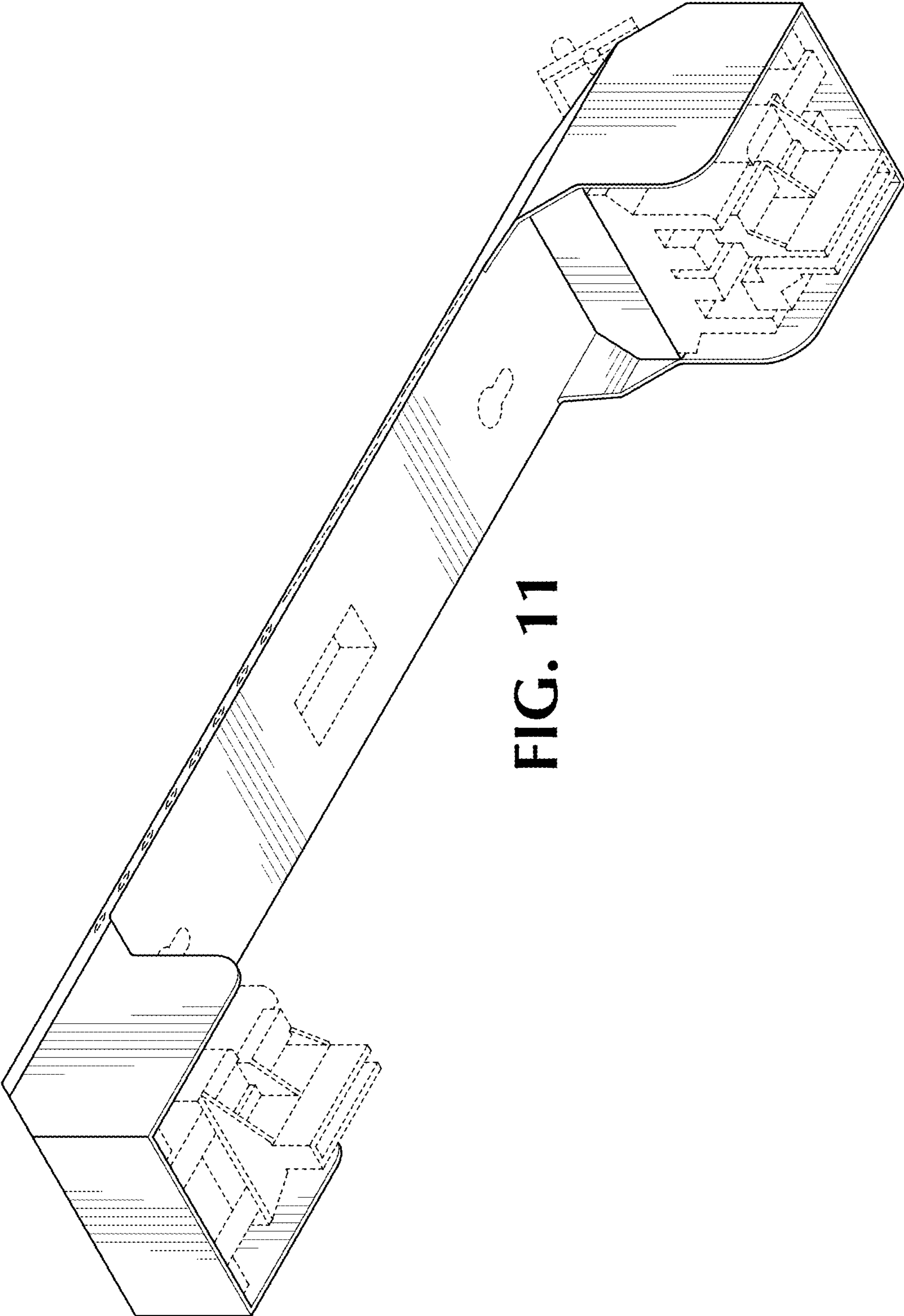


FIG. 11

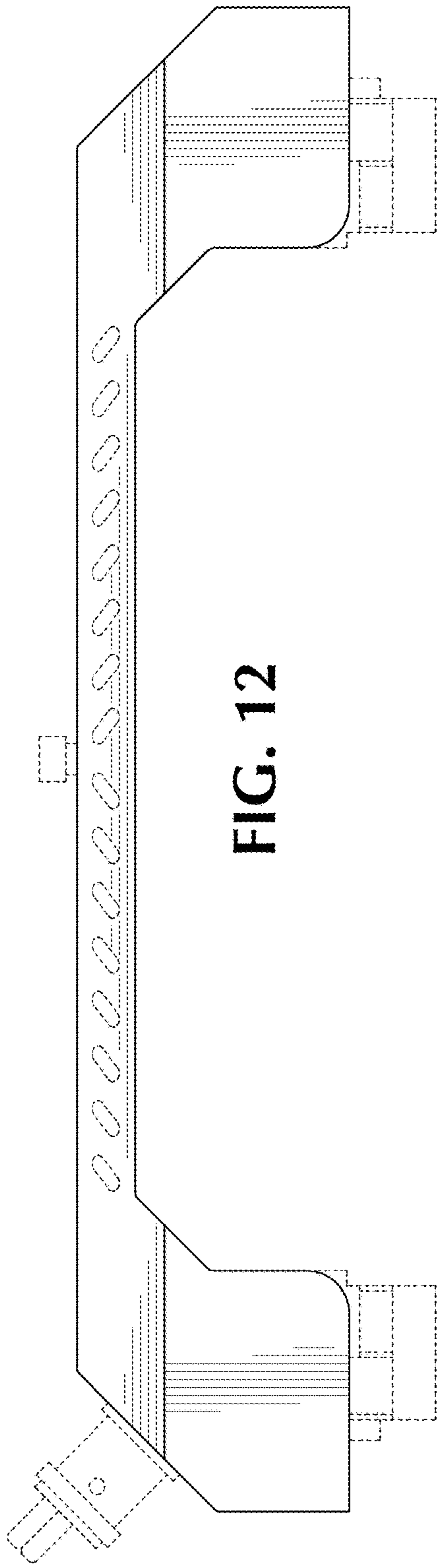


FIG. 12

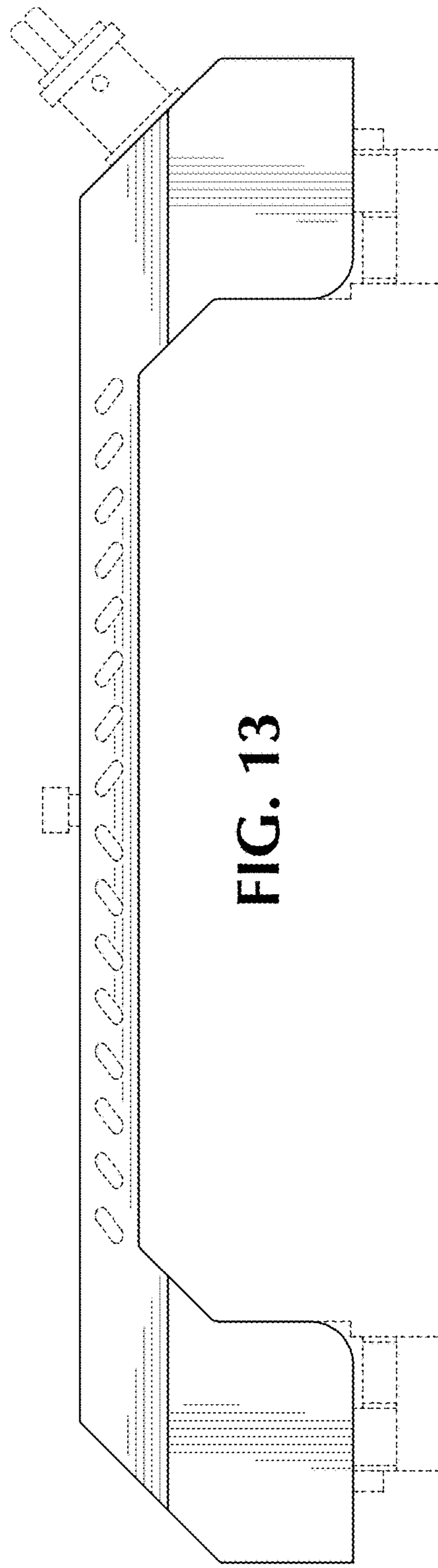


FIG. 13

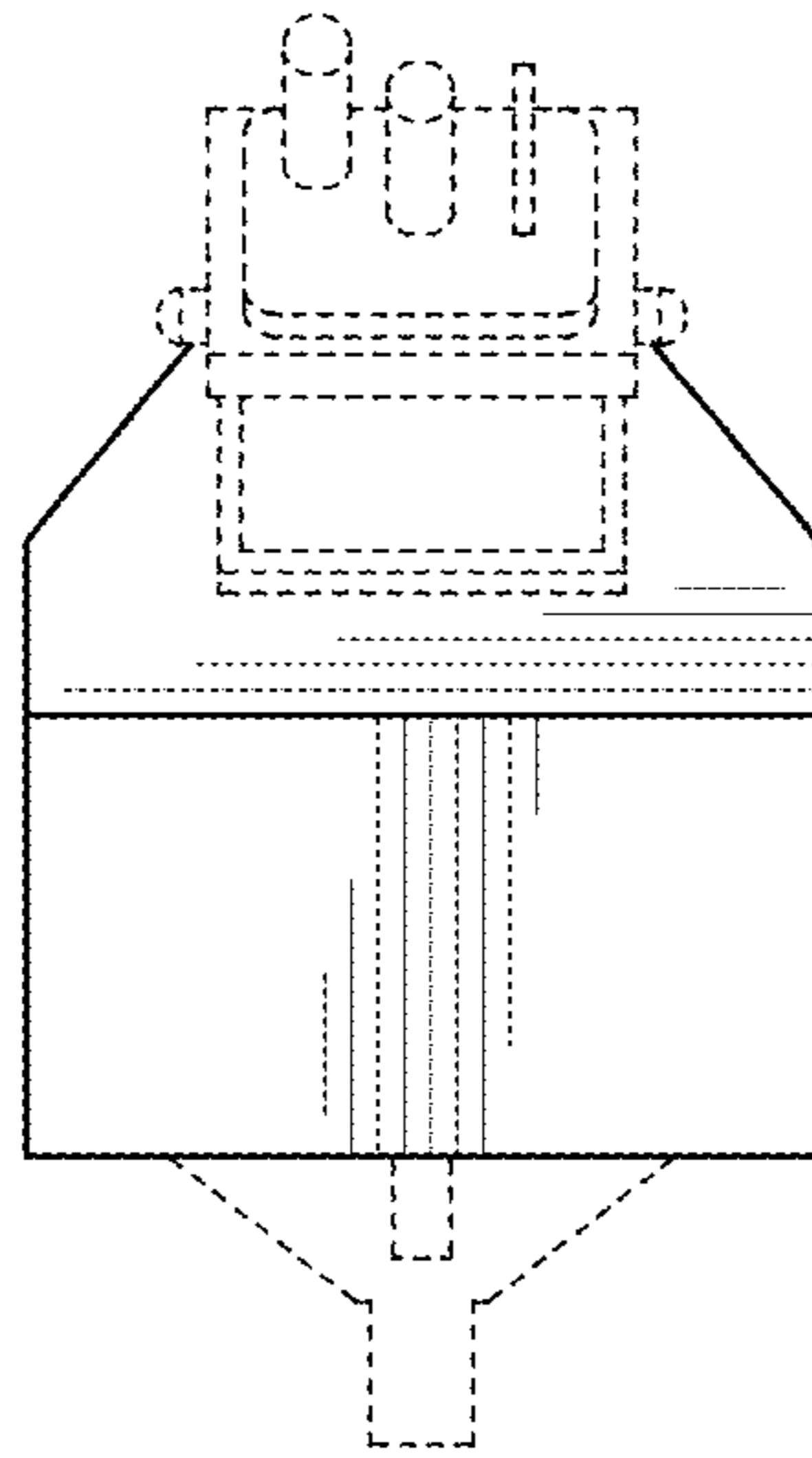


FIG. 14

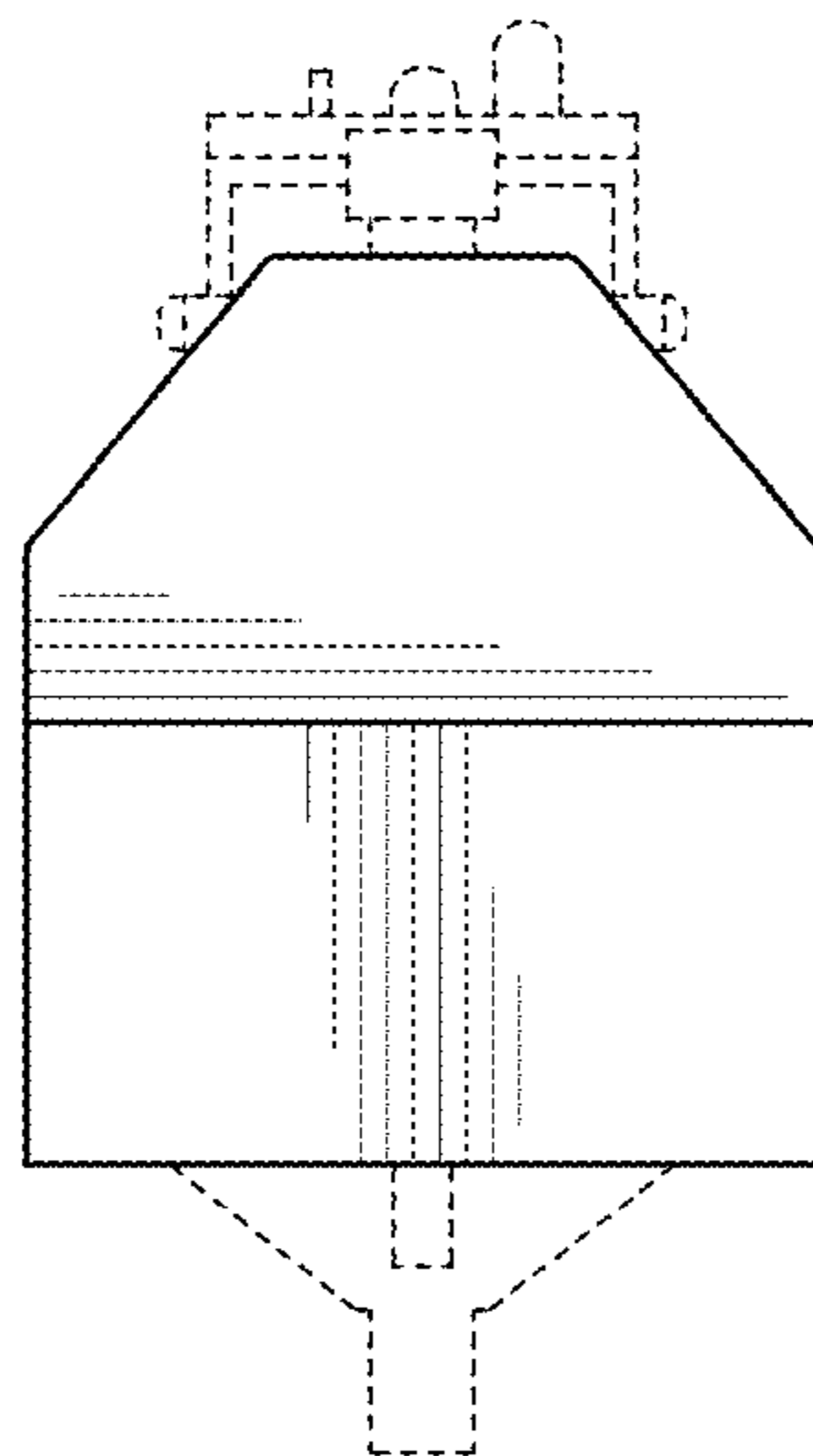


FIG. 15

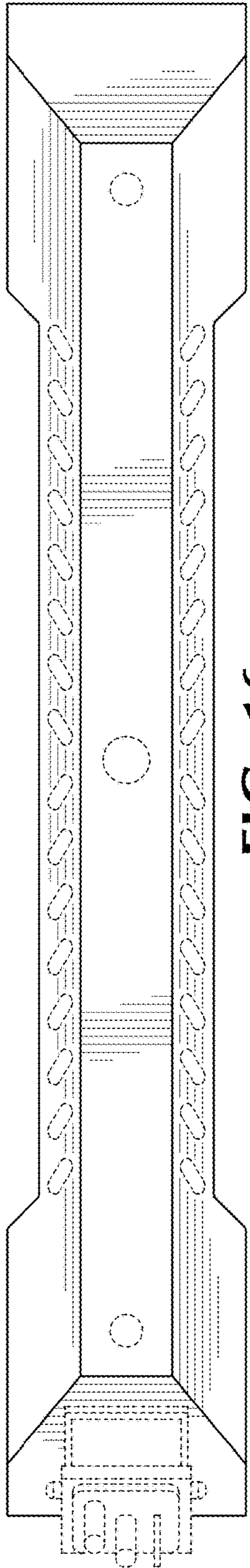


FIG. 16

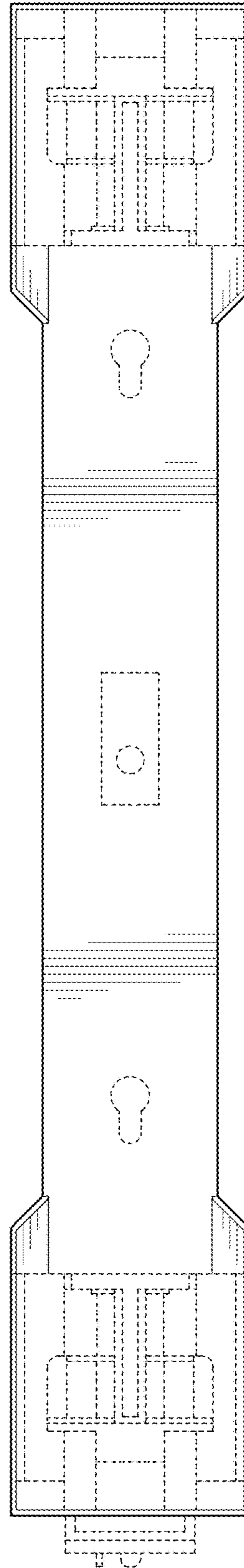


FIG. 17