



US00D797350S

(12) **United States Design Patent**
Reynolds

(10) **Patent No.:** **US D797,350 S**

(45) **Date of Patent:** **** Sep. 12, 2017**

(54) **LIGHT FIXTURE**

(71) Applicant: **IP Holdings, LLC**, Vancouver, WA
(US)

(72) Inventor: **Christopher Reynolds**, Vancouver, WA
(US)

(73) Assignee: **IP Holdings, LLC**, Vancouver, WA
(US)

(**) Term: **15 Years**

(21) Appl. No.: **29/583,006**

(22) Filed: **Nov. 1, 2016**

(51) **LOC (10) Cl.** **26-05**

(52) **U.S. Cl.**
USPC **D26/118**

(58) **Field of Classification Search**
USPC ... D26/9, 10, 12, 13, 15, 16, 24, 51, 61, 72,
D26/76, 80, 81, 85, 86, 88, 90, 113, 118,
D26/119, 120, 122, 128, 129, 138, 143,
D26/144
CPC .. B60Q 1/04; B60Q 1/26; F21V 21/02; F21V
29/004; F21V 21/04; F21V 29/2212;
F21V 7/22; F21V 29/83; F21V 37/002;
F21V 7/00; F21S 8/04; F21S 8/026; F21L
19/00; F23D 11/443; F21Y 2101/02;
A61L 9/037

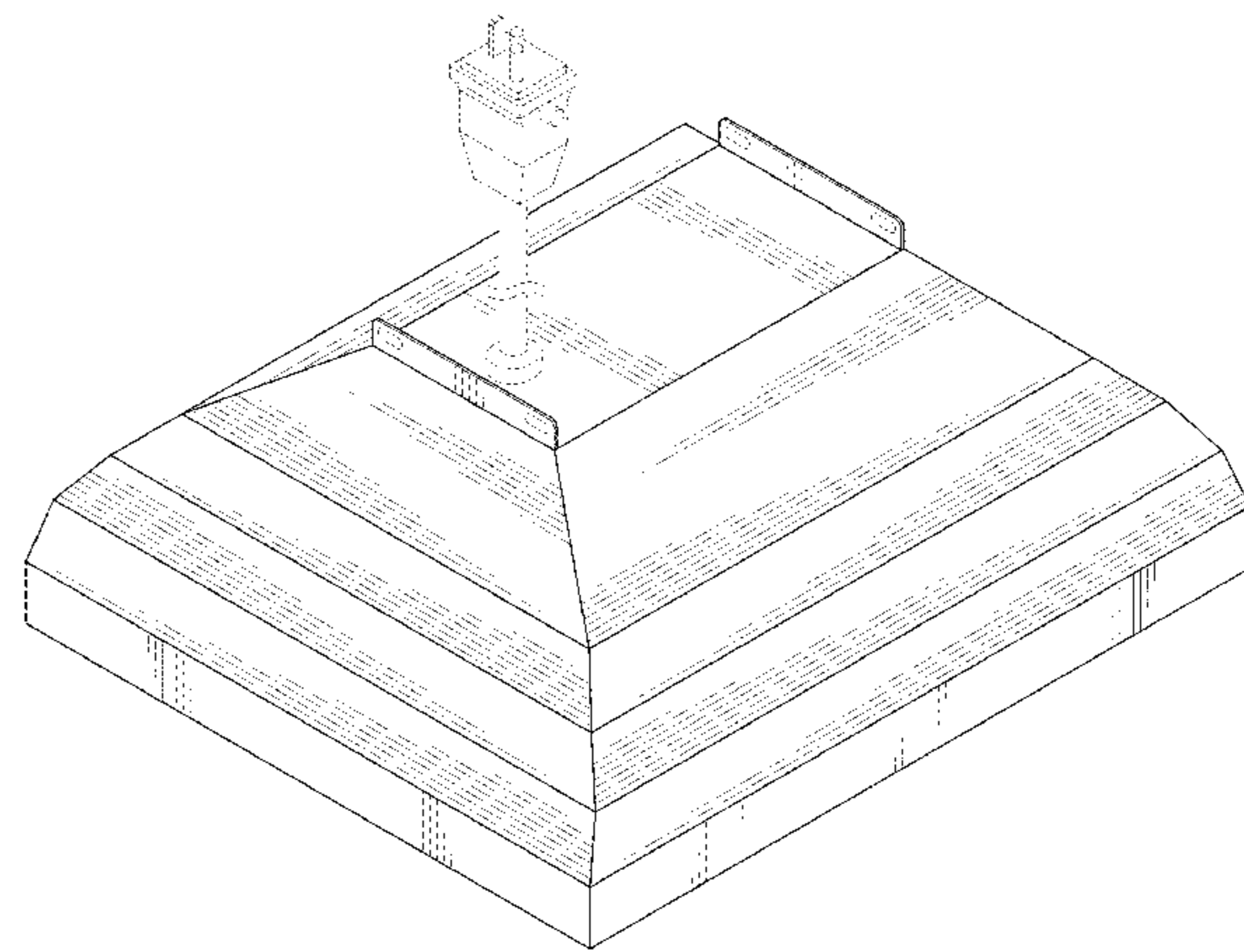
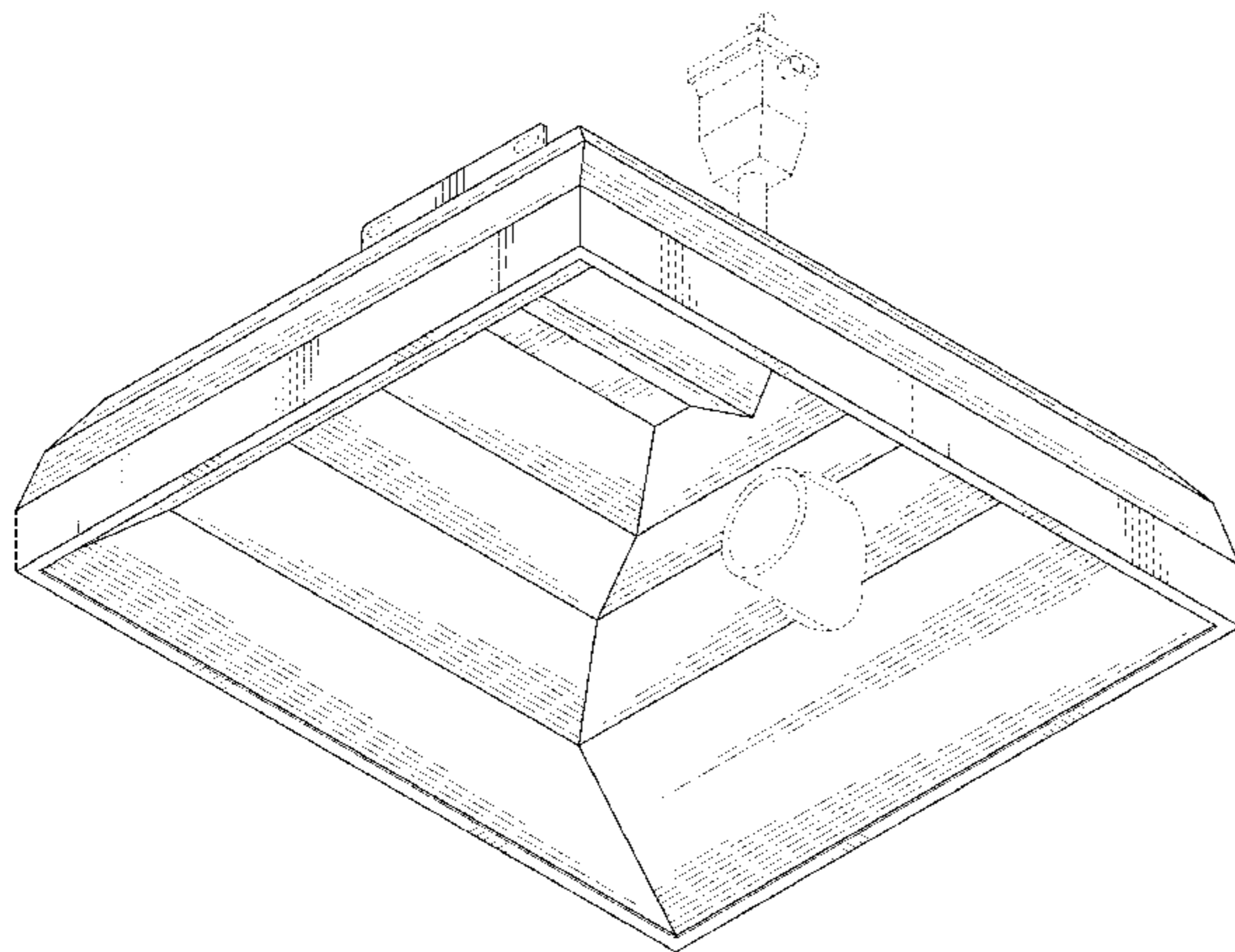
See application file for complete search history.

(56) **References Cited**

U.S. PATENT DOCUMENTS

D32,722 S	7/1861	Schmidlin
D46,253 S	8/1914	Kopp
1,410,945 A	3/1922	Mayfield
1,547,026 A	7/1925	Canney
1,798,567 A	3/1931	Wagenhorst
D85,049 S	9/1931	Kopp
D85,382 S	10/1931	Guth
1,848,734 A	3/1932	Luce
1,873,310 A	8/1932	Doane
1,930,070 A	10/1933	Zecher
1,987,705 A	1/1935	Pedersen

D106,614 S	10/1937	Waterbury
2,194,841 A	3/1940	Welch
D119,800 S	4/1940	Carter
D123,768 S	12/1940	Scribner
D125,559 S	3/1941	Biller
2,242,590 A	5/1941	Marcel
D128,049 S	7/1941	Kurtz
D135,375 S	3/1943	Biller
2,339,100 A	1/1944	Netting
2,348,617 A	5/1944	Furedy
D156,014 S	11/1949	Lazerson
2,492,946 A	1/1950	Barber
D174,221 S	3/1955	Hatch
2,740,883 A	4/1956	Kruger
2,741,694 A	4/1956	Wiig
2,998,511 A	8/1961	Chan
3,025,391 A	3/1962	Golko
D193,802 S	10/1962	Thomsen
D195,012 S	4/1963	Hoyle
3,125,301 A	3/1964	Stotter
3,263,071 A	7/1966	Fabbri
3,272,978 A	9/1966	Jackson
3,322,946 A	5/1967	Cooper
3,420,995 A	1/1969	Dunckel
D213,391 S	2/1969	Bruno
3,433,941 A	3/1969	Hall
3,675,008 A	7/1972	Hill
3,684,883 A	8/1972	Entwistle
3,701,898 A	10/1972	McNamara, Jr.
3,755,667 A	8/1973	Price
3,829,677 A	8/1974	DeLlano
3,902,059 A	8/1975	McNamara, Jr.
3,911,265 A	10/1975	Landrum
4,028,542 A	6/1977	McReynolds, Jr.
D245,016 S	7/1977	Barr
4,037,096 A	7/1977	Brendgord
4,078,169 A	3/1978	Armstrong
4,175,360 A	11/1979	Mulvey
4,229,782 A	10/1980	Ruud
D259,738 S	6/1981	Boschetti
4,308,573 A	12/1981	McNamara, Jr.
D262,659 S	1/1982	Laltta
D266,578 S	10/1982	Moshier
D268,287 S	3/1983	Boschetti
D270,577 S	9/1983	DeVos
4,446,506 A	5/1984	Larson
4,531,180 A	7/1985	Hernandez
4,616,293 A	10/1986	Baliozian
4,669,033 A	5/1987	Lee
D290,662 S	7/1987	Basil
D300,877 S	4/1989	Cyr
4,855,884 A	8/1989	Richardson
4,893,221 A	1/1990	Friedman



US D797,350 S

Page 2

4,933,821 A	6/1990	Anderson	6,257,735 B1	7/2001	Baar
4,939,629 A	7/1990	Glanton	6,267,483 B1	7/2001	Hembery
D311,597 S	10/1990	Poot	D447,272 S	8/2001	Smith
4,970,428 A	11/1990	Hayakawa	6,279,012 B1	8/2001	Sexton
4,980,809 A	12/1990	Baldwin	6,299,327 B1	10/2001	Camarota
D316,301 S	4/1991	Michael	D452,559 S	12/2001	Schonberger
5,006,752 A	4/1991	Eggink	6,343,984 B1	2/2002	Langdon
5,065,294 A	11/1991	Poot	6,371,630 B1	4/2002	Unger
5,072,349 A	12/1991	Waniga	D456,927 S	5/2002	Russello
D323,897 S	2/1992	Compton	D456,928 S	5/2002	Russello
5,088,015 A	2/1992	Baggio	D456,938 S	5/2002	Wardenburg
D329,104 S	9/1992	Dieperink	D459,825 S	7/2002	Field
D330,438 S	10/1992	Herst	6,488,387 B2	12/2002	Wardenburg
5,192,129 A	3/1993	Figueroa	D469,564 S	1/2003	Brok
5,199,784 A	4/1993	Hempleman	6,527,422 B1	3/2003	Hutchison
5,253,152 A	10/1993	Yang	6,548,948 B1	4/2003	Muessli
D349,358 S	8/1994	Herst	6,595,662 B2	7/2003	Wardenburg
5,353,746 A	10/1994	Del Rosario	6,601,972 B2	8/2003	Sei
D352,126 S	11/1994	Ruud	6,658,652 B1	12/2003	Alexander
5,440,470 A	8/1995	Ly	6,679,619 B2	1/2004	Saieva
5,457,450 A	10/1995	Deese	D486,593 S	2/2004	Griffin
5,461,554 A	10/1995	Leonetti	6,688,759 B1	2/2004	Hadjimichael
D365,159 S	12/1995	Tinen	6,709,131 B1	3/2004	Herst
5,486,737 A	1/1996	Hrubowchak	6,729,383 B1	5/2004	Cannell
5,510,676 A	4/1996	Cottaar	6,783,263 B1	8/2004	Cronk
D373,000 S	8/1996	Brady	D496,121 S	9/2004	Santoro
5,555,162 A	9/1996	Shemitz	D499,504 S	12/2004	Meyer
D374,301 S	10/1996	Kleffman	D499,505 S	12/2004	Benensohn
5,568,680 A	10/1996	Parker	D504,343 S	4/2005	Ek
5,570,947 A	11/1996	Felland	6,885,134 B2	4/2005	Kurashima
D376,437 S	12/1996	Karlo	6,908,212 B2	6/2005	Schultz
D377,993 S	2/1997	Herst	7,011,424 B1	3/2006	Poulson
5,621,267 A	4/1997	Shaffner	7,083,309 B2	8/2006	Chan
D383,243 S	9/1997	Fry	7,101,060 B2	9/2006	Oppenheimer
5,698,947 A	12/1997	Choi	7,131,753 B1	11/2006	Edwards, Jr.
5,702,179 A	12/1997	Sidwell	7,156,539 B2	1/2007	Cronk
D391,632 S	3/1998	Thomas	7,175,309 B2	2/2007	Craw
D396,319 S	7/1998	Sutton	D542,460 S	5/2007	Hargreaves
D397,481 S	8/1998	Schafer	D543,652 S	5/2007	Hargreaves
D399,328 S	10/1998	Compton	D543,654 S	5/2007	Hargreaves
D399,329 S	10/1998	Compton	D543,655 S	5/2007	Hargreaves
D399,587 S	10/1998	Compton	7,213,948 B2	5/2007	Hein
D400,289 S	10/1998	Wardenburg	D544,136 S	6/2007	Hargreaves
5,816,694 A	10/1998	Ideker	D544,138 S	6/2007	Hargreaves
D401,006 S	11/1998	Edwards	D544,139 S	6/2007	Hargreaves
D405,976 S	2/1999	Beall	D544,626 S	6/2007	Hargreaves
5,896,004 A	4/1999	Feldman	D544,980 S	6/2007	Hargreaves
5,924,789 A	7/1999	Thornton	D544,981 S	6/2007	Hargreaves
5,932,955 A	8/1999	Berger	D544,982 S	6/2007	Hargreaves
5,938,317 A	8/1999	Thornton	D544,983 S	6/2007	Hargreaves
D415,304 S	10/1999	Brown	D544,984 S	6/2007	Hargreaves
5,983,564 A	11/1999	Stragnola	D544,985 S	6/2007	Hargreaves
5,987,697 A	11/1999	Song	D544,987 S	6/2007	Hargreaves
5,999,943 A	12/1999	Nori	D544,994 S	6/2007	Hargreaves
D418,626 S	1/2000	Herst	D544,995 S	6/2007	Hargreaves
D419,248 S	1/2000	Lyons	D545,460 S	6/2007	Mason, II
6,024,468 A	2/2000	Kassay	D545,484 S	6/2007	Hargreaves
6,042,250 A	3/2000	Stragnola	D545,485 S	6/2007	Hargreaves
6,051,927 A	4/2000	Graser	D545,990 S	7/2007	Hargreaves
6,053,624 A	4/2000	Cronk	D545,994 S	7/2007	Hargreaves
D425,237 S	5/2000	Scott	D545,996 S	7/2007	Hargreaves
D425,652 S	5/2000	Brok	D549,869 S	8/2007	Ward
D426,010 S	5/2000	Compton	7,296,914 B1	11/2007	Russello
6,061,690 A	5/2000	Nori	7,360,927 B2	4/2008	Oka
6,065,849 A	5/2000	Chen	D569,024 S	5/2008	Redfern
6,070,173 A	5/2000	Huber	D572,858 S	7/2008	Santoro
6,076,944 A	6/2000	Maranon	7,445,363 B2	11/2008	Vanden Eynden
6,079,851 A	6/2000	Altman	7,524,090 B2	4/2009	Hargreaves
D428,516 S	7/2000	Reo	7,534,011 B2	5/2009	Townsley
6,094,919 A	8/2000	Bhatia	D595,894 S	7/2009	Verfuert
6,111,739 A	8/2000	Wu	D602,625 S	10/2009	Santoro
6,152,579 A	11/2000	Reed	D603,087 S	10/2009	Mo
D439,008 S	3/2001	Kim	7,617,057 B2	11/2009	May
6,210,025 B1	4/2001	Schmidt	D605,342 S	12/2009	Chung
6,230,497 B1	5/2001	Morris	D608,490 S	1/2010	Chung
D443,198 S	6/2001	Snyder	7,641,367 B2	1/2010	Hargreaves
D443,949 S	6/2001	DiMonte	7,654,702 B1	2/2010	Ding
6,247,830 B1	6/2001	Winnett	D613,900 S	4/2010	Hargreaves
D445,943 S	7/2001	Littman	D614,801 S	4/2010	Collins

US D797,350 S

7,722,228 B2	5/2010	Broer	D720,488 S	12/2014	Toyohisa
D617,028 S	6/2010	Verfuertth	D720,505 S	12/2014	Kersten
D620,190 S	7/2010	Chung	8,905,575 B2	12/2014	Durkee
D621,993 S	8/2010	Jong	D720,876 S	1/2015	Haverfield
7,771,086 B2	8/2010	Goverde	D721,844 S	1/2015	Lay
D628,335 S	11/2010	Hyland	D722,654 S	2/2015	Martone
7,854,534 B2	12/2010	Liu	D725,819 S	3/2015	Reynolds
D632,419 S	2/2011	Ng	D725,820 S	3/2015	Hargreaves
D633,247 S	2/2011	Kong	8,967,821 B2	3/2015	Pickard
D633,640 S	3/2011	Wauters	D726,359 S	4/2015	Grigore
D634,060 S *	3/2011	Wardenburg D26/118	8,998,473 B1	4/2015	Anderson
D634,240 S	3/2011	Junkeer	9,016,892 B1	4/2015	Scribante
D634,468 S	3/2011	Hargreaves	9,016,907 B2	4/2015	Stanley
D634,469 S *	3/2011	Hargreaves D26/118	D728,848 S	5/2015	Reyes
D637,162 S	5/2011	Bridgman	D729,435 S	5/2015	Arndt
D637,341 S	5/2011	Wardenburg	D730,556 S	5/2015	Toyohisa
D637,752 S	5/2011	Mekhtarian	D731,103 S	6/2015	Wilke
D640,404 S	6/2011	Chipperfield	D731,109 S	6/2015	Wardenburg
7,959,331 B2	6/2011	Ho	D731,701 S	6/2015	Hargreaves
D641,100 S	7/2011	Li	D732,233 S	6/2015	Reynolds
7,972,044 B2	7/2011	Burkhauser	D732,234 S	6/2015	Rashidi Doust
D644,185 S	8/2011	Hargreaves	D732,235 S	6/2015	Reynolds
7,987,632 B2	8/2011	May	D732,236 S	6/2015	Reynolds
8,018,630 B2	9/2011	Herloski	D733,347 S	6/2015	Dungan
8,038,318 B2	10/2011	Plunk	D733,952 S	7/2015	Lay
D648,652 S	11/2011	Hawkins	D733,960 S	7/2015	Howe
D649,685 S	11/2011	Trzesniowski	D734,534 S	7/2015	Howe
D650,515 S	12/2011	Bradley	D735,391 S	7/2015	Blessitt
D650,935 S	12/2011	Beghelli	D735,401 S	7/2015	Clements
8,113,696 B2	2/2012	Striebel	D736,450 S *	8/2015	Reynolds D26/118
D655,403 S	3/2012	Zakula	D737,498 S	8/2015	Stanley
D657,748 S	4/2012	Hargreaves	9,110,209 B2	8/2015	Blessitt
D660,252 S	5/2012	Hargreaves	D738,031 S	9/2015	Martins
D661,370 S	6/2012	Zock	D739,595 S	9/2015	Reynolds
D661,833 S	6/2012	Imajo	9,127,826 B2	9/2015	Boyer
8,209,912 B2	7/2012	Hargreaves	D740,486 S	10/2015	Stanley
8,215,799 B2	7/2012	Vanden Eynden	D740,996 S	10/2015	Tragatschnig
D667,584 S	9/2012	Beghelli	D745,993 S	12/2015	Reynolds
D668,370 S	10/2012	Guercio	D747,029 S *	1/2016	Reynolds D26/118
D671,259 S	11/2012	Chen	D747,538 S	1/2016	Hargreaves
D672,908 S	12/2012	Wilcox	D747,825 S	1/2016	Reynolds
D672,911 S	12/2012	Mayfield, III	D747,923 S	1/2016	Cornu
D673,324 S	12/2012	Mayfield	D748,319 S	1/2016	Johnson
8,334,640 B2	12/2012	Reed	D748,320 S	1/2016	Johnson
D675,369 S	1/2013	Michaud	D748,847 S	2/2016	Johnson
8,348,481 B2	1/2013	Chang	D748,849 S *	2/2016	Stanley D26/118
D675,772 S	2/2013	Tran	D748,850 S	2/2016	Johnson
8,371,726 B2	2/2013	Collins	D749,773 S	2/2016	Waible
D678,597 S	3/2013	Lehman	D750,312 S	2/2016	Reynolds
D678,599 S	3/2013	Boyer	D750,313 S	2/2016	Reynolds
D679,848 S	4/2013	Pickard	D750,316 S	2/2016	Reynolds
D683,064 S	5/2013	Tuck	9,255,690 B2	2/2016	Dimitriadis
8,505,224 B2	8/2013	Huang	D750,831 S	3/2016	Clements
D689,238 S	9/2013	Halsey	D751,244 S	3/2016	Reynolds
D690,875 S	10/2013	McKenzie	D751,245 S *	3/2016	Stanley D26/118
D693,959 S	11/2013	Boyer	D751,247 S	3/2016	Reynolds
D697,663 S	1/2014	Speier	D753,654 S	4/2016	Eastwood
D698,074 S	1/2014	Hargreaves	9,310,037 B2	4/2016	Cercone
D698,075 S	1/2014	Klus	D756,016 S	5/2016	Hargreaves
D698,986 S *	2/2014	Reynolds D26/118	D756,023 S	5/2016	Hoffer
D698,987 S	2/2014	Stanley	D756,026 S	5/2016	Reynolds
D699,386 S	2/2014	Park	D757,323 S	5/2016	Reynolds
D702,827 S	4/2014	Mase	D757,326 S	5/2016	Reynolds
8,702,283 B2	4/2014	Bradley, Jr.	D757,346 S *	5/2016	Stanley D26/118
D705,474 S	5/2014	Philips	9,335,038 B2	5/2016	Stanley
D705,974 S	5/2014	Blessitt	9,366,947 B2	6/2016	Miyata
8,723,086 B2	5/2014	McMahan	D762,320 S	7/2016	Reynolds
D707,385 S	6/2014	Wardenburg	D765,306 S *	8/2016	Wardenburg D26/118
D708,390 S	7/2014	Roos	D766,756 S	9/2016	Franc
D710,528 S	8/2014	Wardenburg	D769,513 S	10/2016	Reynolds
8,801,235 B2	8/2014	Yurich	D769,514 S	10/2016	Reynolds
D713,953 S	9/2014	Jepson	D770,079 S	10/2016	Stanley
D714,988 S	10/2014	Park	D770,082 S	10/2016	Reynolds
D715,994 S	10/2014	Klus	D770,670 S	11/2016	Reynolds
D716,995 S	11/2014	Zhu	D770,671 S	11/2016	Reynolds
D717,487 S	11/2014	Guzzini	D771,301 S	11/2016	Stanley
D717,636 S	11/2014	Stanley	D771,304 S	11/2016	Goltche
			D773,107 S	11/2016	Stanley
			D775,406 S	12/2016	Hargreaves

D775,760	S	1/2017	Reynolds
D780,985	S	3/2017	Stanley
D780,986	S	3/2017	Reynolds
D781,492	S	3/2017	Reynolds
D783,887	S	4/2017	Stanley
D786,488	S	5/2017	Reynolds
D786,489	S	5/2017	Stanley
D786,490	S	5/2017	Stanley
2002/0073285	A1	6/2002	Butterworth
2002/0141195	A1	10/2002	Peter
2003/0031011	A1	2/2003	Miller
2003/0191783	A1	10/2003	Wolczko
2004/0240214	A1	12/2004	Whitlow
2005/0117333	A1	6/2005	Yoshida
2005/0160481	A1	7/2005	Todd
2005/0233691	A1	10/2005	Horton
2006/0231081	A1	10/2006	Kirakosyan
2006/0232984	A1	10/2006	Schuknecht
2006/0282457	A1	12/2006	Williams
2007/0051321	A1	3/2007	Chang
2007/0070633	A1	3/2007	Eynden
2007/0228993	A1	10/2007	Stuer
2007/0246631	A1	10/2007	Brown
2007/0282806	A1	12/2007	Hoffman
2008/0059799	A1	3/2008	Scarлата
2008/0117617	A1	5/2008	Hargreaves
2008/0130304	A1	6/2008	Rash
2008/0205030	A1	8/2008	Hargreaves
2008/0205071	A1	8/2008	Townsley
2008/0212326	A1	9/2008	Chon
2008/0278950	A1	11/2008	Pickard
2008/0278957	A1	11/2008	Pickard
2009/0116250	A1	5/2009	Hargreaves
2009/0231840	A1	9/2009	Boehme
2009/0262540	A1	10/2009	Hargreaves
2009/0276478	A1	11/2009	Soman
2009/0310373	A1	12/2009	Burkhauser
2009/0316404	A1	12/2009	Mo
2009/0323335	A1	12/2009	Yang
2010/0214789	A1	8/2010	Hawkes
2010/0238661	A1	9/2010	Pfund
2010/0277908	A1	11/2010	Hu
2010/0277929	A1	11/2010	Hargreaves
2010/0295468	A1	11/2010	Pedersen
2010/0302768	A1	12/2010	Collins
2011/0169412	A1	7/2011	Yurich
2011/0203096	A1	8/2011	Hargreaves
2011/0259665	A1	10/2011	Morgan
2012/0051041	A1	3/2012	Edmond
2012/0092859	A1	4/2012	Gregoris
2012/0145699	A1	6/2012	McMahan
2012/0212883	A1	8/2012	Hargreaves
2012/0230035	A1	9/2012	Bradley, Jr.
2013/0077329	A1	3/2013	Hessling
2013/0083539	A1	4/2013	Dimitriadis
2013/0155685	A1	6/2013	Stanley
2013/0242573	A1	9/2013	Petrsoiki
2013/0250567	A1	9/2013	Edmond
2014/0378283	A1	12/2014	Qiu
2015/0023022	A1	1/2015	Stanley
2015/0098215	A1	4/2015	Torabifard
2015/0252992	A1	9/2015	Stanley
2015/0252993	A1	9/2015	Stanley
2015/0252994	A1	9/2015	Stanley
2015/0260381	A1	9/2015	Verfuert

FOREIGN PATENT DOCUMENTS

CA	2034710	8/1991
CA	1314529	3/1993
EP	3325003	7/1989
EP	0440274	8/1991
WO	02063210	8/2002
WO	03060379	7/2003
WO	2008018000	2/2008
WO	2009096775	8/2009
WO	2011119451	9/2011

OTHER PUBLICATIONS

Apollo Horticulture GLRCTAC 6" Air Cool Tube Grow Light Deluxe Glass Cylinder with Hood Reflector, image post date Oct. 15, 2010, site visted Oct. 3, 2014, (online), <http://www.amazon.com/apollo-horticulture-glrectac-cylinder-reflector/dp/b003qkvv04/ref=pd_sbs_lg_5?ie=utf8&refrid=1y9v9qhh4n5vncjmftr>.

Apollo Horticulture GLRLS24 6" Air Cooled Hydroponic Grow Light Glass Reflector Hood, image post date Oct. 15, 2010, site visted Oct. 3, 2014, (online), <http://www.amazon.com/apollo-horticulture-GLRLS24-hydroponic-reflector/dp/B00BMVK8HG/ref=cm_cd_ql_qh_dp_i>.

Adjustable Reflector, image post date Apr. 23, 2012, site visited Sep. 23, 2015, http://web.archive.org/web/2012043260757/http://hydroponics-products.en.alibaba.com/product/519225678-213056444/adjustable_reflector_grow_light_hydroponics_greenhouse_horticulture_reflector_hood.html.

Agrotech Magnum Reflector, image post date Feb. 5, 2012, site visited Oct. 31, 2014, www.hydroponics.net/i/136580.

Cree CR22, image post date Apr. 28, 2011, site visited Nov. 15, 2014, <http://ledsmagazine.com/content/dam/leds/migrated/objects/news/8/4/19/cree204272011.jpg>.

ZR series High Efficacy Troffer, image post date Apr. 13, 2012, site visited Oct. 31, 2014, www.cree.com/lighting/products.

Grow Lights Home Depot: Find many types of grow lights for your plant, published Dec. 22, 2012, online. Site visited Jun. 25, 2014. [Http://besthomedecorffurniture.com/gardening-décor/grow-lights-home-depot-few-things-to-consider-when-buying-grow-lighting-plants-online.html](http://besthomedecorffurniture.com/gardening-décor/grow-lights-home-depot-few-things-to-consider-when-buying-grow-lighting-plants-online.html).

LED Grow Light Comparison Test Review, Youtube.com, published Jun. 29, 2012, online. Site visited Jun. 25, 2014. www.youtube.com/watch?v=f-8oy0qbgrs.

Illuminator Pro-Series Hybrid 350W, wordpress.com, published Dec. 22, 2010, online, site visited Jun. 25, 2014. <http://growsetup.wordpress.com/category/grow-lights/>.

California Lightworks New SolarStorm 440W LED Grow Light with UVB, hydrobuilder.com, online. Site visited May 25, 2014. http://hydrobuilder.com/solarstorm-440w-led-grow-light-with-uvb.html?dzid=strands_CLW-SS-440.

2013 Sunlight Supply Cataog, Issuu.com, published Aug. 1, 2013, online. Site visited Feb. 2, 2015. http://issuu.com/sunlightsupply/docs/2013_sunlightproductcatalog/49.

Pages 29 and 54 from 2014-2015 dealer catalog showing and describing Super Sun DE reflector published by Sunlight Supply, Inc. 2014.

Dominator XXXL Non AC Reflector pack of 3 Spec Sheet, GreenTreesHydroponics.com, date available Mar. 12, 2014, online. Site visited Feb. 3, 2015, <https://www.hydroponics.net/i/141477>.

Low Rider Air-Cooled Reflector—TinEye, image post date Oct. 11, 2012, site visited Oct. 11, 2015, www.tineye.com/search/1b0e187c5ed9e4e9cfb55d0472271385a2c0e88/?pluginver.

OG Air Cooled Parabolic Reflector Only—Make the Most of Your Grow Light, GroWell Hydroponics, <http://www.growell.co.uk/og-air-cooled-parabolic-reflector-only.html>, pp. 1-2, accessed Aug. 26, 2014.

Air Resistance: Distinguishing Between Laminar and Turbulent Flow, www.docstoc.com, Dec. 29, 2010, p. 1-6.

Sun Systems LEC 630 Light Emitting Ceramic Fixture, Spec Sheet for 906217—Sun System LEC 630 120 Volt w/3100 K Lamps, www.sunlightsupply.com/shop/bycategory/led-lighting/sun-system-lec-630-light-emitting-ceramic-fixture, online, updated Feb. 9, 2015. Site visited Mar. 30, 2015, p. 1.

Mohri, Mineko, International Preliminary Report on Patentability for PCT/US2014/014959, Jan. 19, 2016.

A3V Reflector, Titaness Light Shop, www.titanesslightshop.com/products-page/reflectors/a3v-reflector, online. Site visited Jan. 14, 2015.

G2V Grow Light Reflector, Titaness Light Shop, www.titanesslightshop.com/products-page/reflectors/g2v-grow-light-reflector, online. Site visited Jan. 14, 2015.

1000 Wall Galaxy Grow Amp Double Ended Grow Light Packages, image post date Jan. 30, 2014, sited visited Jul. 8, 2016, <<http://www.ehydroponics.com/100-watt-galaxy-grow-amp-double-ended-grow-light-package.html>>.

2009-10-watt-light-set—TinEye, image post date May 23, 2012, site visited Jul. 8, 2016, <<https://www.tineye.com/search/2de39cf51f7a031139a80ce555e2f30d0abd5216/>>.

Square 10 Watt LED Grow Light, image post date Aug. 1, 2011, site visited Jul. 18, 2016, <<http://www.dhgate.com/store/product/hydroponic-vegetable-10-watt-led-grow-light/216755031.html>>.

Sun System 630 Ceramic Metal Halide 120v Specifications, GrowersHouse.com, update on Sep. 9, 2014, Online. Site visited Feb. 3, 2015. <http://growershouse.com/aitdownloadablefiles/download/aihle/aifile_id/583/>.

Growlite HDE 600W-1000W Double Ended Lamp Concealed Vacuum Airflow Technology, Indoor Grow Science, site visited Aug. 3, 2016, <<http://www.indoorgrowscience.net/downloads/specs/hde.pdf>>.

Sun Systems LEC 315—Reviews?, rollitup.com forum, published Oct. 23, 2013, online. Visited Nov. 8, 2016. <<http://rollitup.org/t/sun-systems-lec-315-reviews.742794>>.

Sun System LEC 315 120v Light Emitting Ceramic Metal Halide Fixture w/ Free Ratchet Light Hangers, Amazon.com, earliest review of Jul. 2, 2014, online. Visited Nov. 8, 2016 <<https://www.amazon.com/sun-system-emitting-ceramic-fixture/dp/B00HBCV8TM>>.

LEC 315 Watt Grow Light Great Yield Reports!, YouTube.com, published Mar. 31, 2014, online. Visited Nov. 8, 2016. <<https://www.youtube.com/watch?v=QqcoW19KnUk>>.

Air Cooled Grow Lights, greensteamhydroponics.com, published May 24, 2014, online. Site visited Nov. 16, 2016. <http://web.archive.org/web/20140524103407/http://www.greenstreamhydroponics.com/aircooled-reflector-range-from-greenstream-hydroponics/prod_699.html>.

greenstreamhydroponics.com/aircooled-reflector-range-from-greenstream-hydroponics/prod_699.html>.

* cited by examiner

Primary Examiner — Brian N Vinson

(74) Attorney, Agent, or Firm — J. Douglas Wells

(57)

CLAIM

The ornamental design for a light fixture, as shown and described.

DESCRIPTION

FIG. 1 is a perspective view of a light fixture, as viewed from below, showing my new design;

FIG. 2 is a perspective view of the light fixture shown in FIG. 1, as viewed from above;

FIG. 3 is a left side view of the light fixture shown in FIG. 1;

FIG. 4 is a right side view of the light fixture shown in FIG. 1;

FIG. 5 is a front elevation view of the light fixture shown in FIG. 1;

FIG. 6 is a rear elevation view of the light fixture shown in FIG. 1;

FIG. 7 is a bottom plan view of the light fixture shown in FIG. 1; and,

FIG. 8 is a top plan view of the light fixture shown in FIG. 1.

The broken-line disclosure shown in the views is understood to represent portions of the article in which the claimed design is embodied, but which form no part of the claimed design.

1 Claim, 8 Drawing Sheets

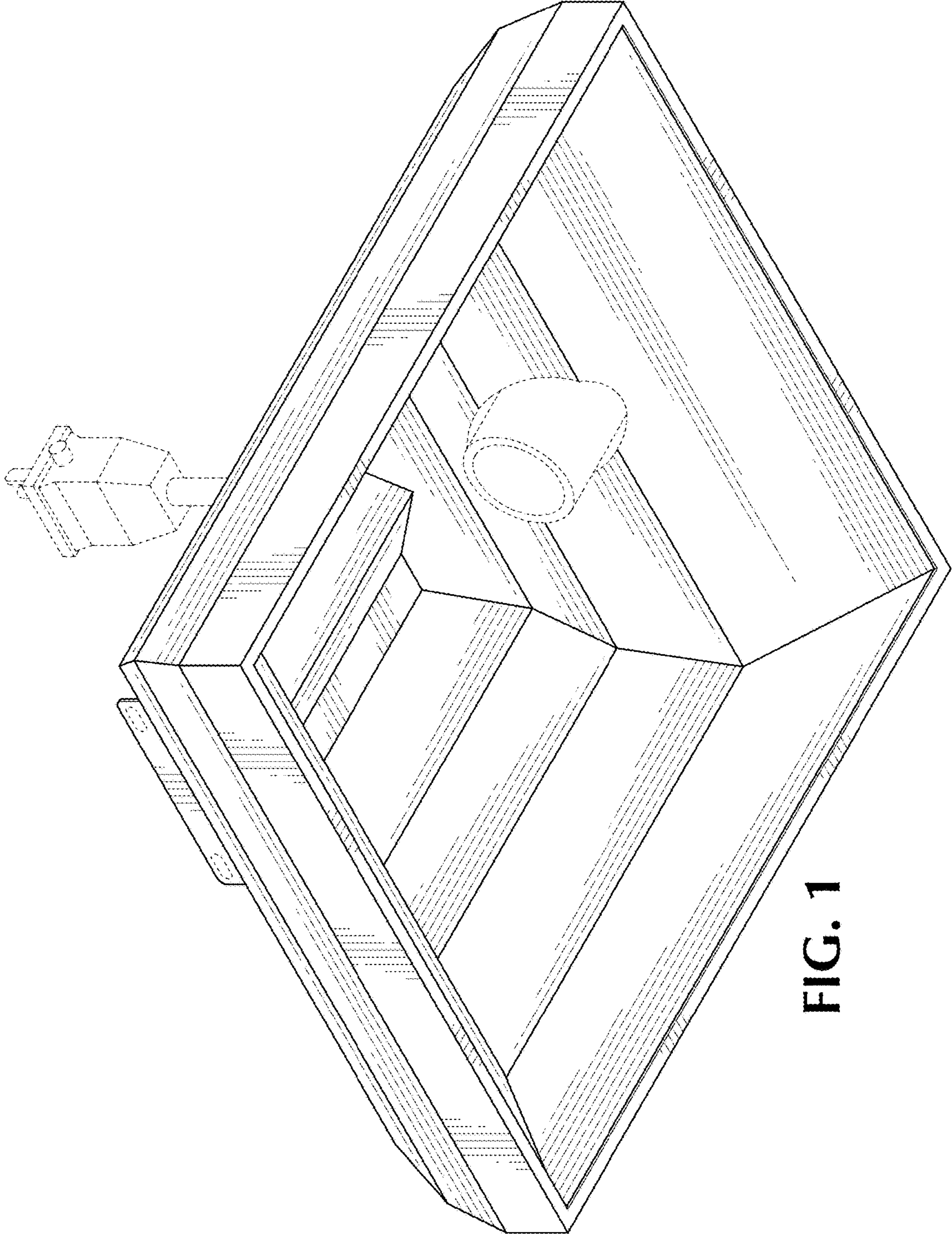


FIG. 1

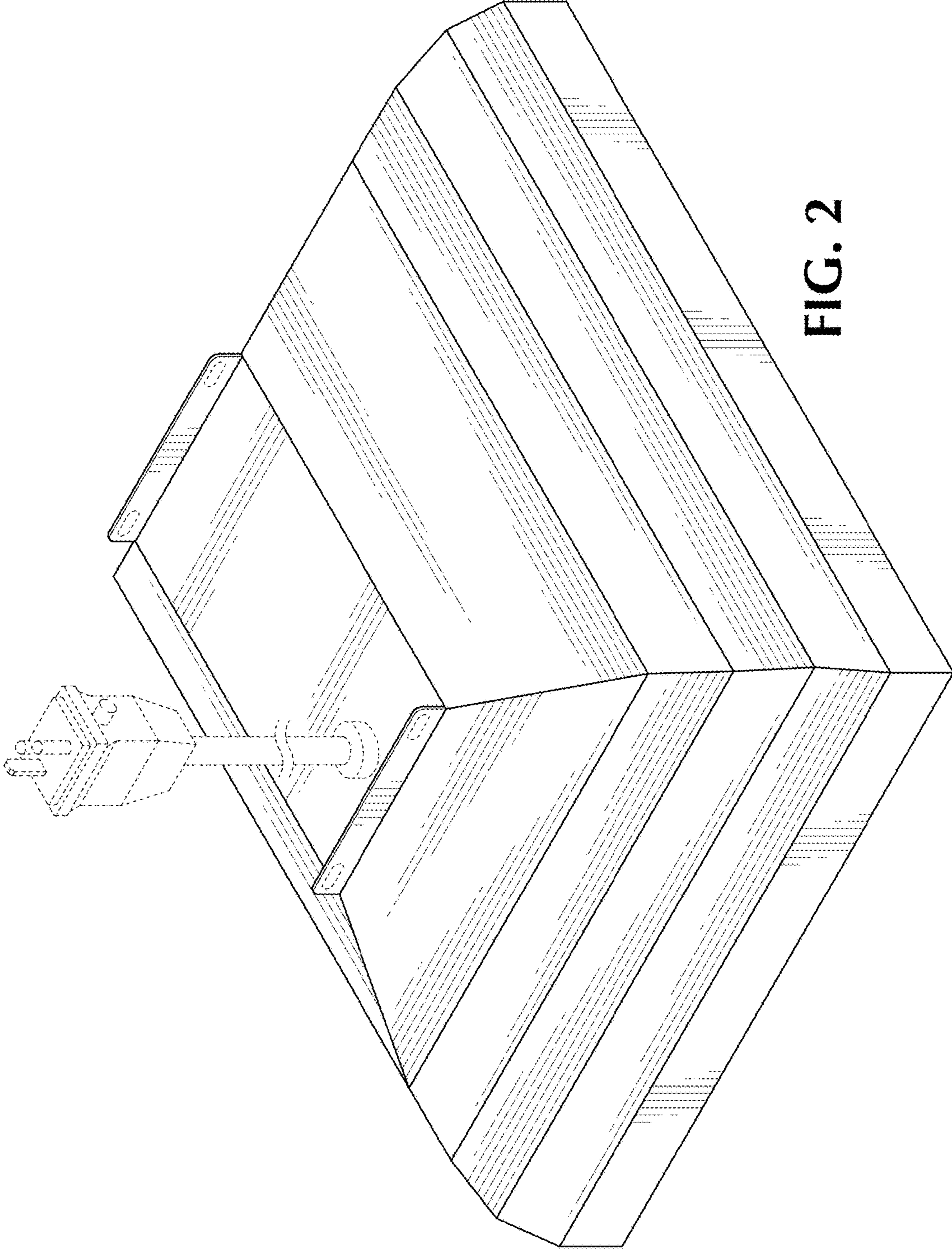


FIG. 2

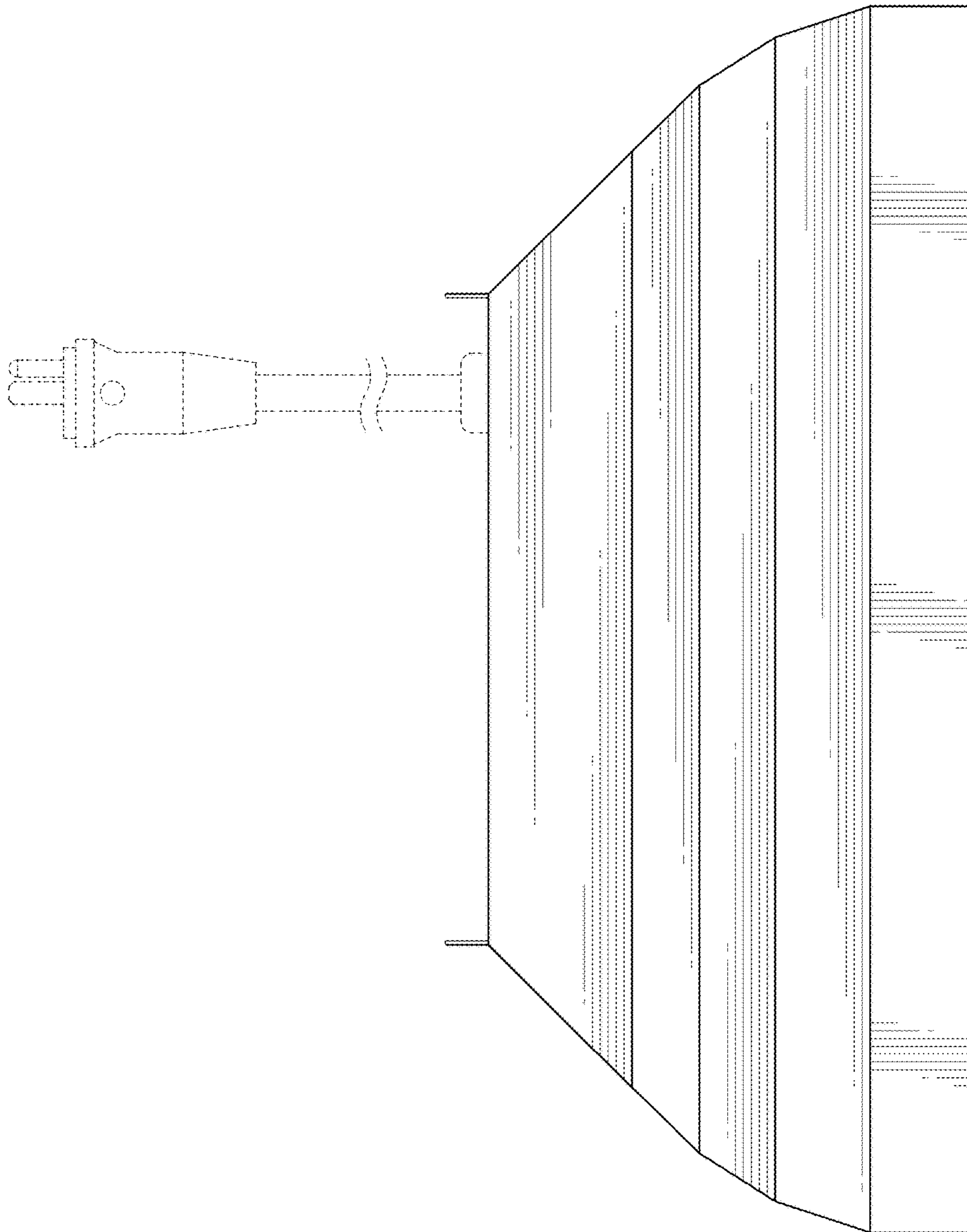


FIG. 3

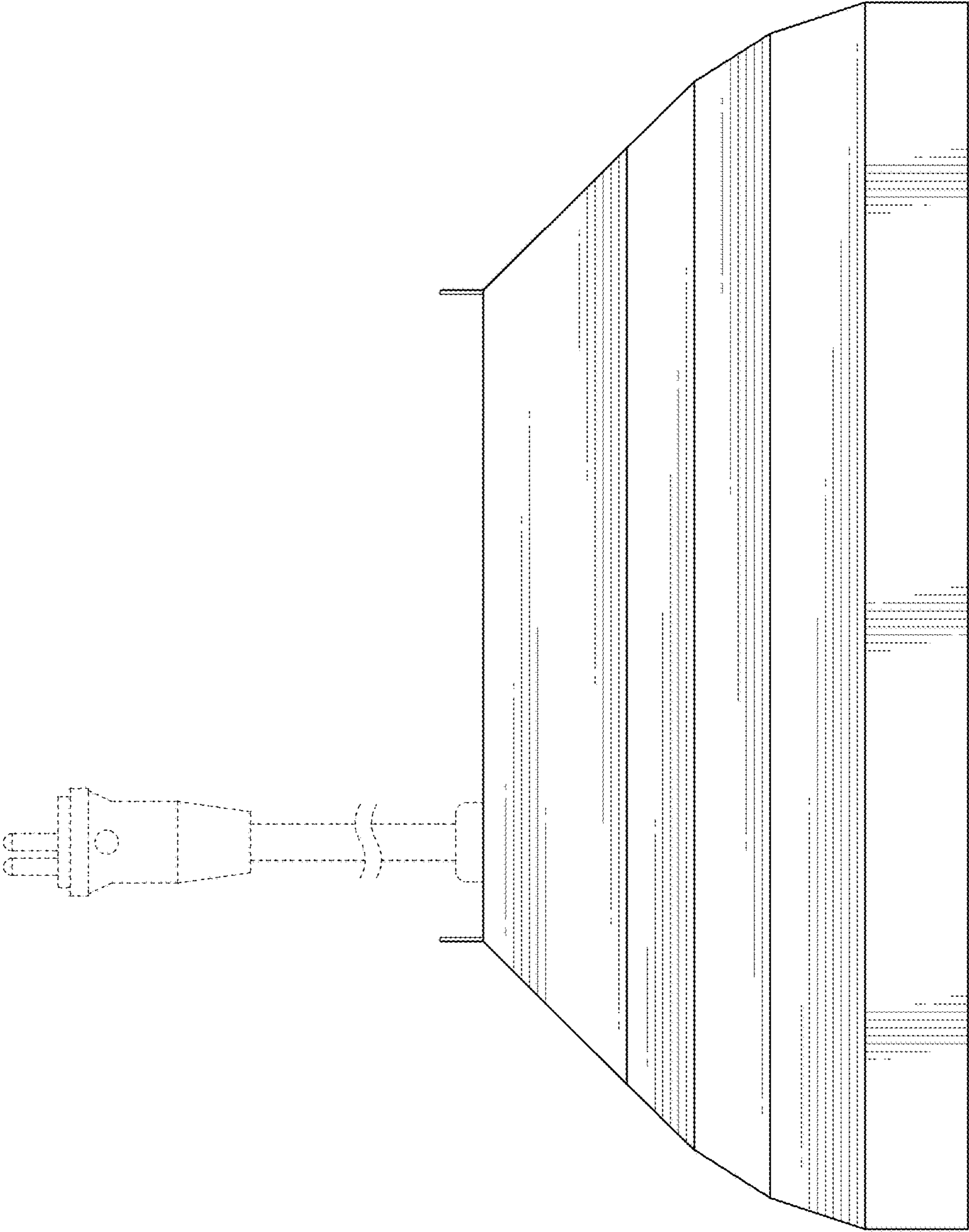


FIG. 4

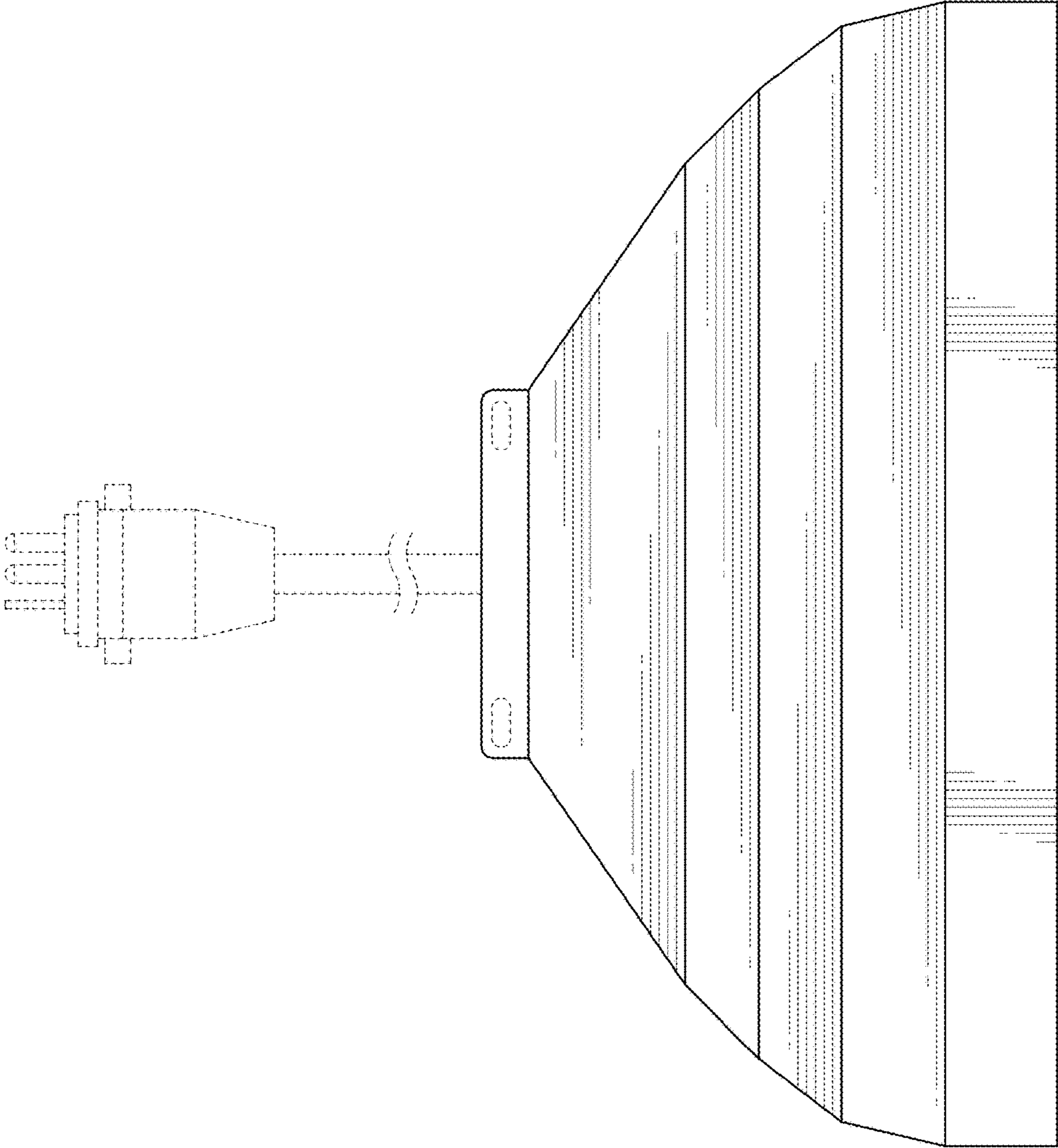


FIG. 5

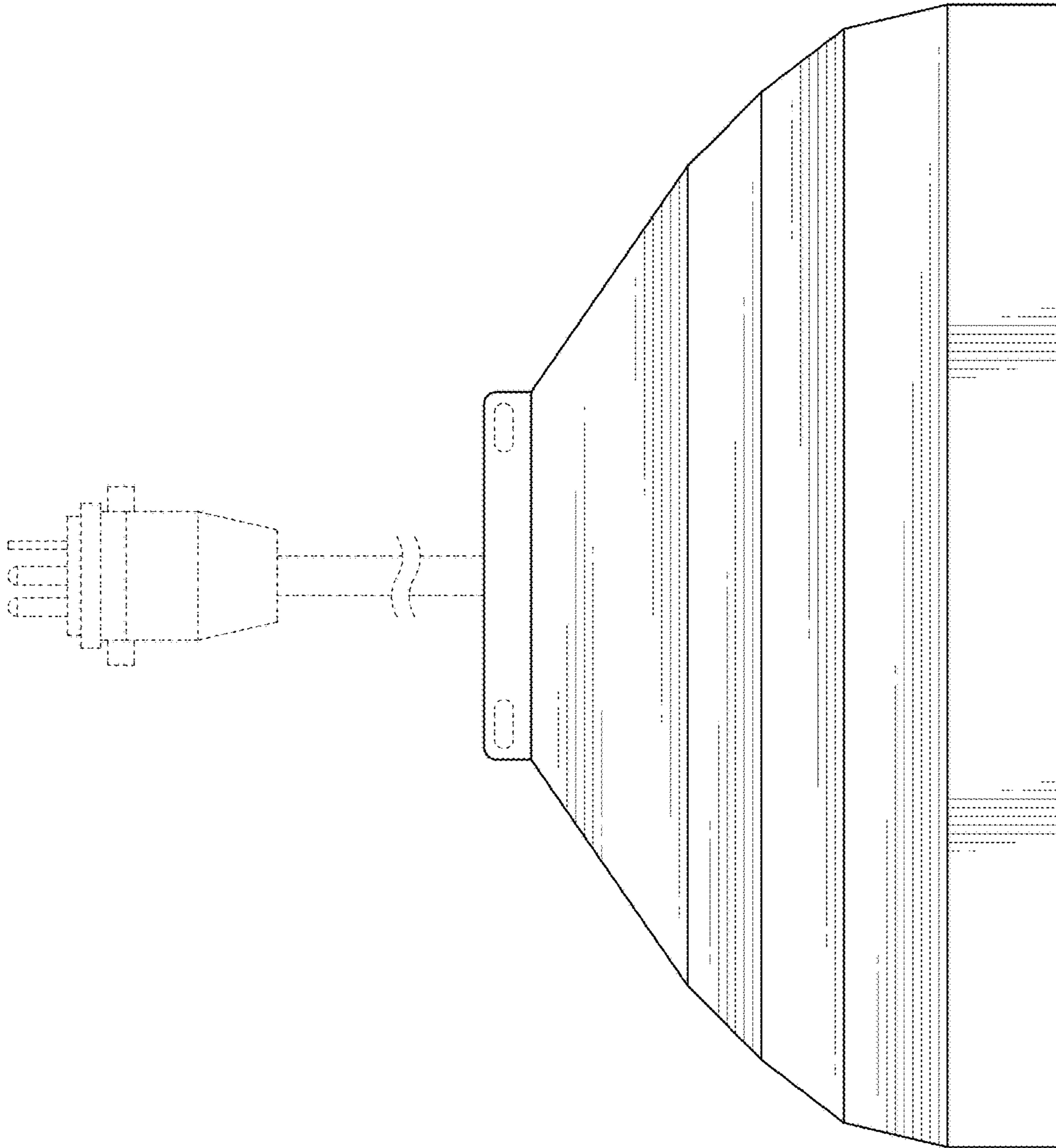


FIG. 6

FIG. 7

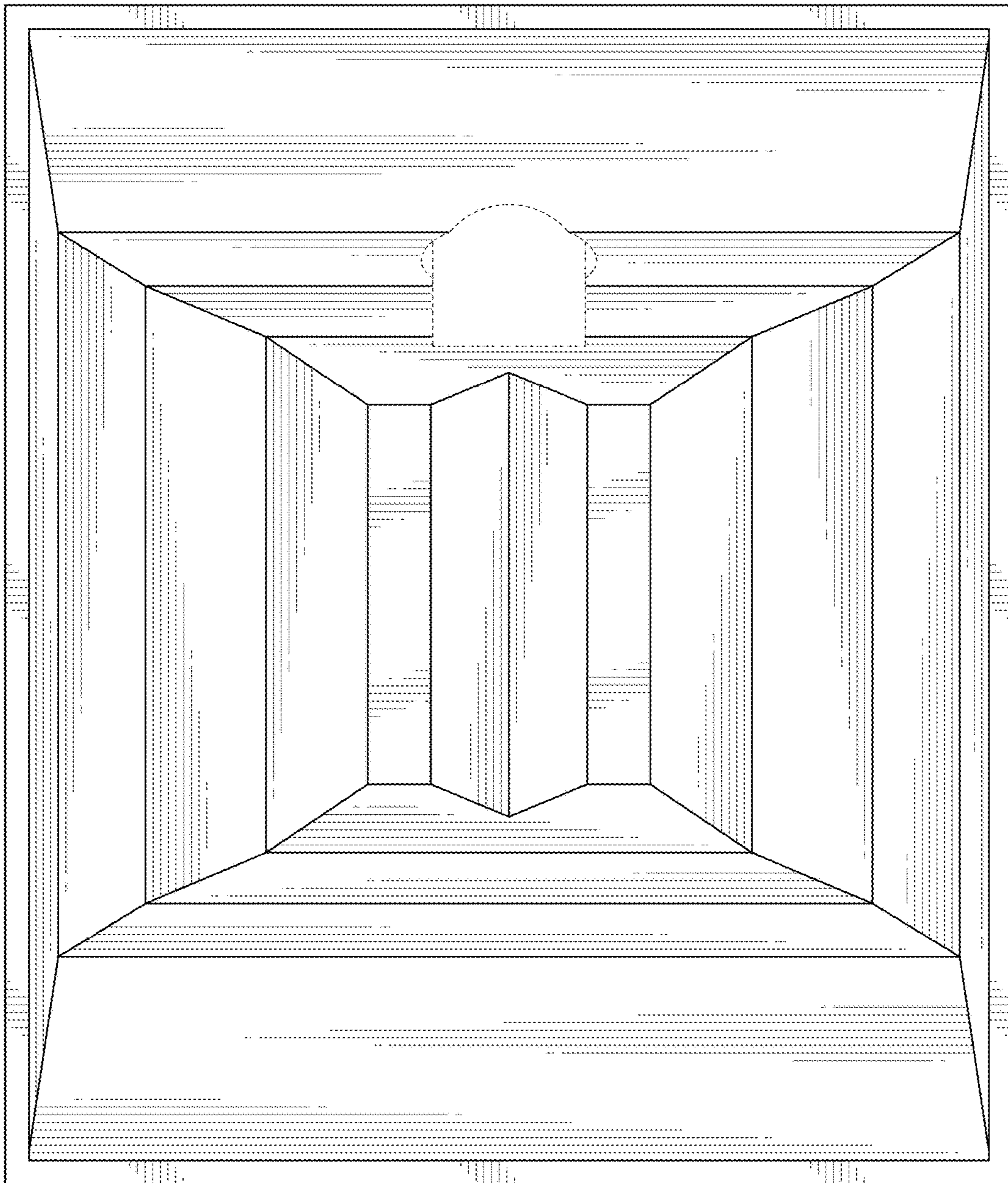


FIG. 8

