



US00D797349S

(12) **United States Design Patent** (10) **Patent No.:** **US D797,349 S**  
**Rashidi Doust** (45) **Date of Patent:** **\*\* Sep. 12, 2017**

(54) **BALLAST ROOM COVER FOR A LIGHT FIXTURE**

D420,149 S \* 2/2000 Hersh ..... D25/119  
6,758,580 B1 7/2004 Verfueth  
6,854,793 B2 \* 2/2005 Few ..... B62D 63/08  
280/789

(71) Applicant: **ELITE LIGHTING**, Commerce, CA (US)

7,244,058 B2 7/2007 DiPenti et al.  
7,261,436 B2 8/2007 Haugaard et al.  
7,329,022 B2 2/2008 Tran et al.

(72) Inventor: **Hamid Rashidi Doust**, Beverly Hills, CA (US)

(Continued)

(\*\*) Term: **15 Years**

FOREIGN PATENT DOCUMENTS

(21) Appl. No.: **29/565,053**

WO WO2010/095710 8/2010  
WO WO2011/068114 6/2011

(22) Filed: **May 17, 2016**

(Continued)

(51) **LOC (10) Cl.** ..... **26-05**

(52) **U.S. Cl.**

OTHER PUBLICATIONS

USPC ..... **D26/118**

(58) **Field of Classification Search**

USPC ..... D7/416; D10/111-113, 115, 113.1;  
D11/144; D13/134, 158-178; D14/473,  
D14/230; D22/118; D25/126-135;  
D26/20, 27, 30, 31, 32, 25, 35, 36, 42,  
D26/46, 55, 69, 70, 71, 76, 72, 85, 113,  
D26/78, 80, 101, 110, 109, 118-120, 123,  
D26/124, 127, 133, 134, 139; D99/99  
CPC .... A61B 90/30; B60Q 1/2696; B60Q 1/2615;  
F21S 8/033; F21S 8/00; F21S 8/086;  
F21S 8/043; F21S 8/046; F21S 8/04;  
F21S 8/02; F21S 8/026; F21S 48/215;  
F21S 2/005; F21K 9/00; F21K 9/135;  
F21K 9/27; F21V 17/10; F21V 29/74;  
F21V 29/83; F21V 29/76; F21V 7/005;  
F21V 15/01; F21V 23/026; F21V 7/09;  
G02B 6/0083; G02B 5/0257; G09F  
13/14; H05B 33/0845; H05B 33/0842

“Philips FBX High Bay” Aug. 26, 2012, ledsupplyco.com, site visited May 16, 2017 <<http://ledsupplyco.com/warehouse-lighting/>>.\*

(Continued)

*Primary Examiner* — Kevin Rudzinski  
*Assistant Examiner* — Paul Bohannon  
(74) *Attorney, Agent, or Firm* — Payam Moradian

See application file for complete search history.

(56) **References Cited**

U.S. PATENT DOCUMENTS

3,560,729 A 2/1971 Liberman  
5,927,041 A \* 7/1999 Sedlmeier ..... E04B 9/064  
248/49

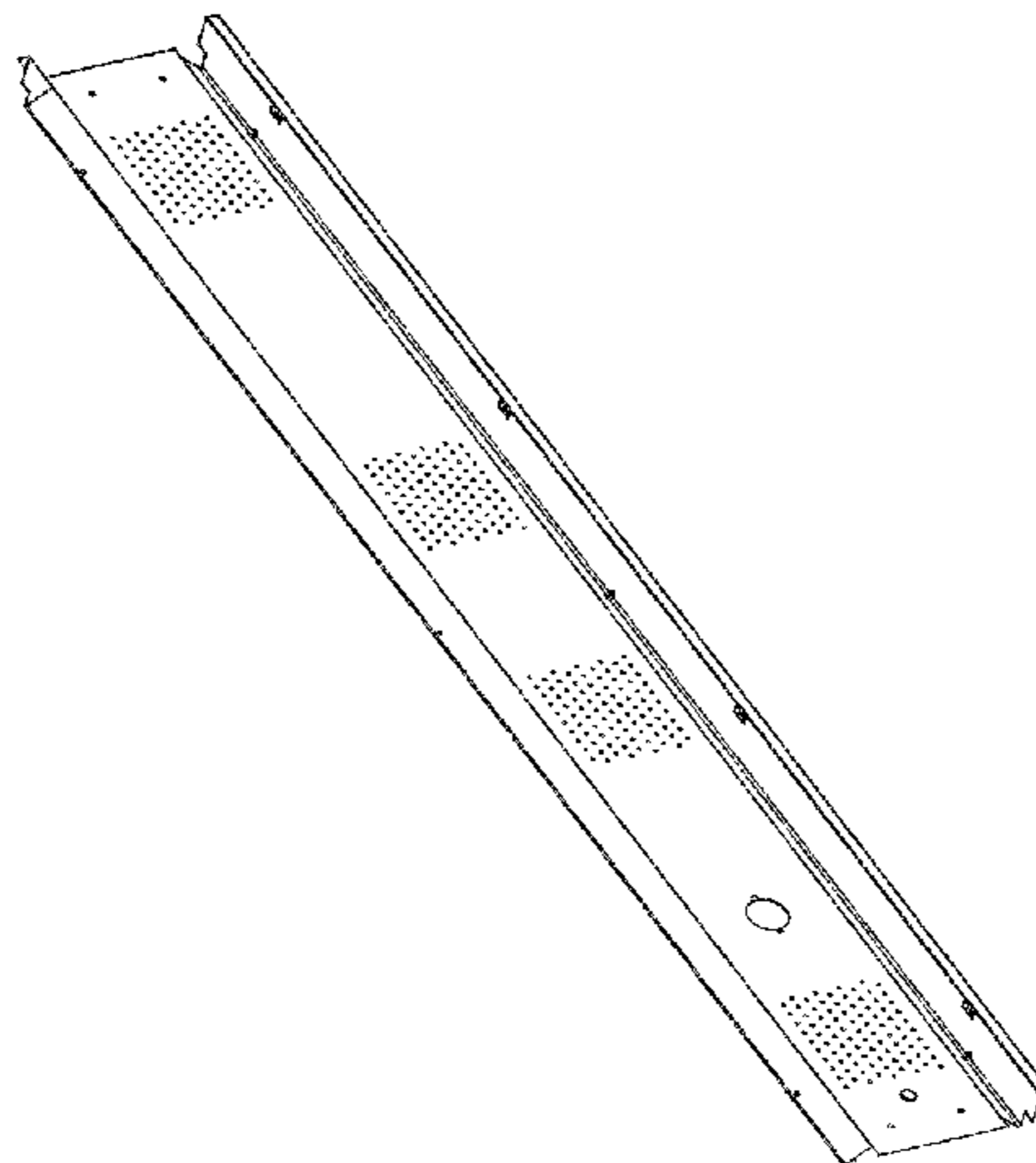
(57) **CLAIM**

I claim the ornamental design for a ballast room cover for a light fixture, as shown and described.

**DESCRIPTION**

FIG. 1 is a bottom perspective view of the ballast room cover for a light fixture;  
FIG. 2 is a top perspective view thereof;  
FIG. 3 is a top view thereof;  
FIG. 4 is a bottom view thereof;  
FIG. 5 is a front view thereof;  
FIG. 6 is a rear view thereof;  
FIG. 7 is a left view thereof; and,  
FIG. 8 is a right view thereof.

**1 Claim, 8 Drawing Sheets**



(56)

References Cited

U.S. PATENT DOCUMENTS

7,926,985 B2 4/2011 Teng et al.  
 7,963,672 B2 6/2011 Liu et al.  
 D644,339 S \* 8/2011 Sutton ..... D25/121  
 D647,246 S \* 10/2011 Chadwick ..... D26/138  
 D649,278 S \* 11/2011 Sabernig ..... D26/76  
 D649,279 S \* 11/2011 Sabernig ..... D26/76  
 D655,427 S \* 3/2012 Sutton ..... D25/121  
 8,136,958 B2 3/2012 Verfuert et al.  
 D662,256 S 6/2012 Klu  
 D664,706 S 7/2012 Schieffelin et al.  
 8,337,043 B2 12/2012 Verfuert et al.  
 8,376,583 B2 2/2013 Wang et al.  
 8,529,085 B2 9/2013 Josefowicz et al.  
 D696,439 S \* 12/2013 He ..... D26/24  
 8,720,031 B2 \* 5/2014 Sauer ..... A47B 57/562  
 248/243  
 D764,075 S \* 8/2016 Honda ..... D25/119  
 D774,686 S \* 12/2016 Neufeglise ..... D26/122  
 D775,079 S \* 12/2016 Oksengendler ..... D13/139.2  
 D775,408 S \* 12/2016 Huyghe ..... D26/138  
 2005/0015750 A1 1/2005 Sley  
 2005/0026501 A1 2/2005 Zhan  
 2006/0146540 A1 \* 7/2006 Reo ..... F21V 5/008  
 362/332

2008/0025959 A1 1/2008 Daneman et al.  
 2009/0267533 A1 \* 10/2009 Lee ..... G09F 9/33  
 315/294  
 2012/0002411 A1 1/2012 Ladewig  
 2013/0008352 A1 1/2013 Roddy  
 2013/0033862 A1 \* 2/2013 Yang ..... F21V 23/026  
 362/235  
 2013/0155670 A1 6/2013 Handsaker  
 2013/0208476 A1 \* 8/2013 Erhard ..... F21V 17/16  
 362/249.02  
 2014/0071680 A1 \* 3/2014 Hayashi ..... H05B 33/0803  
 362/249.07  
 2015/0276155 A1 10/2015 Rashidi Doust  
 2017/0108198 A1 \* 4/2017 Erhard ..... F21V 19/004

FOREIGN PATENT DOCUMENTS

WO WO2011/118974 9/2011  
 WO WO2013/129362 9/2013  
 WO WO2013/162183 10/2013

OTHER PUBLICATIONS

Lithonia High Bay, Nov. 17, 2013.

\* cited by examiner

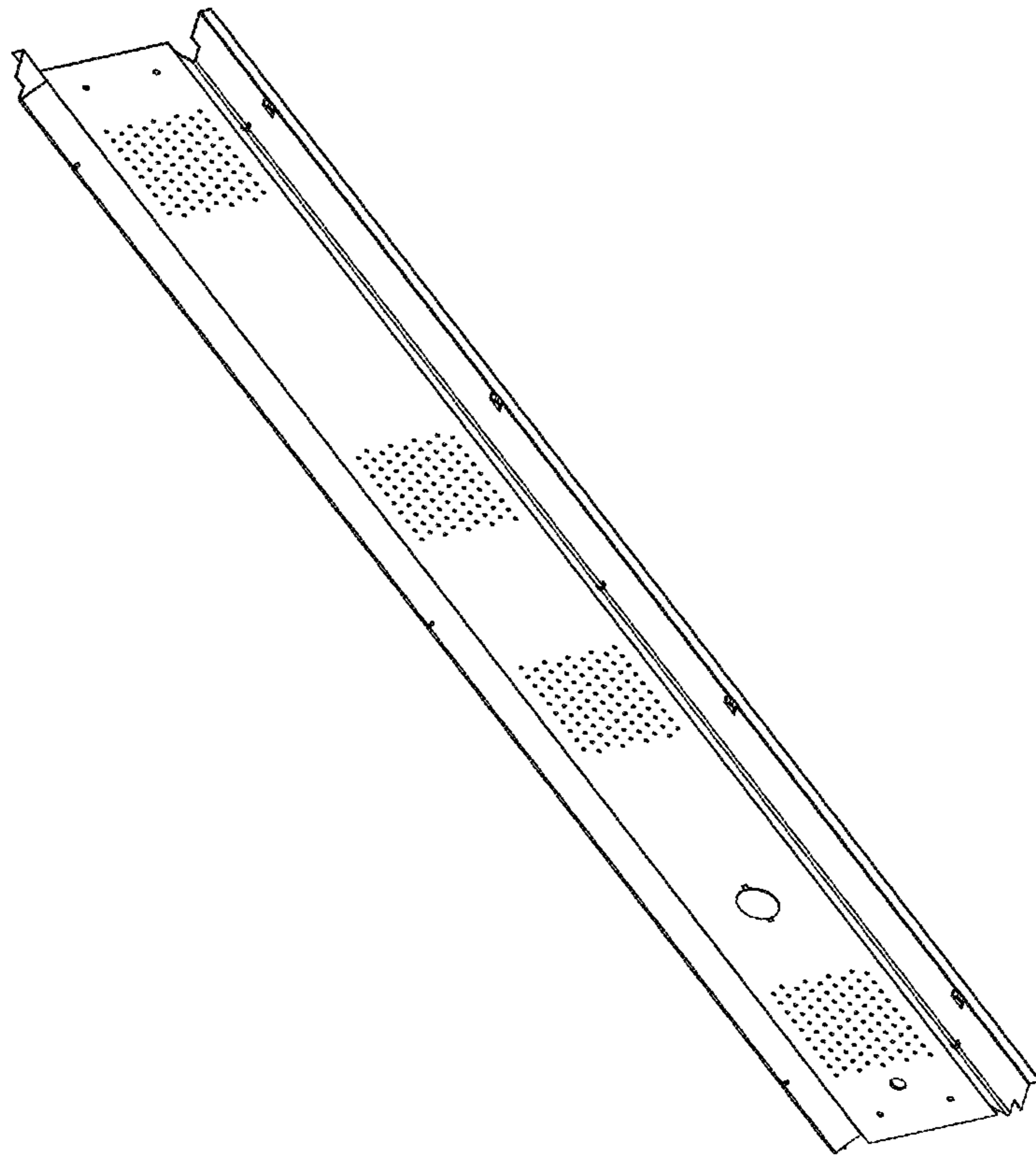


FIG.1

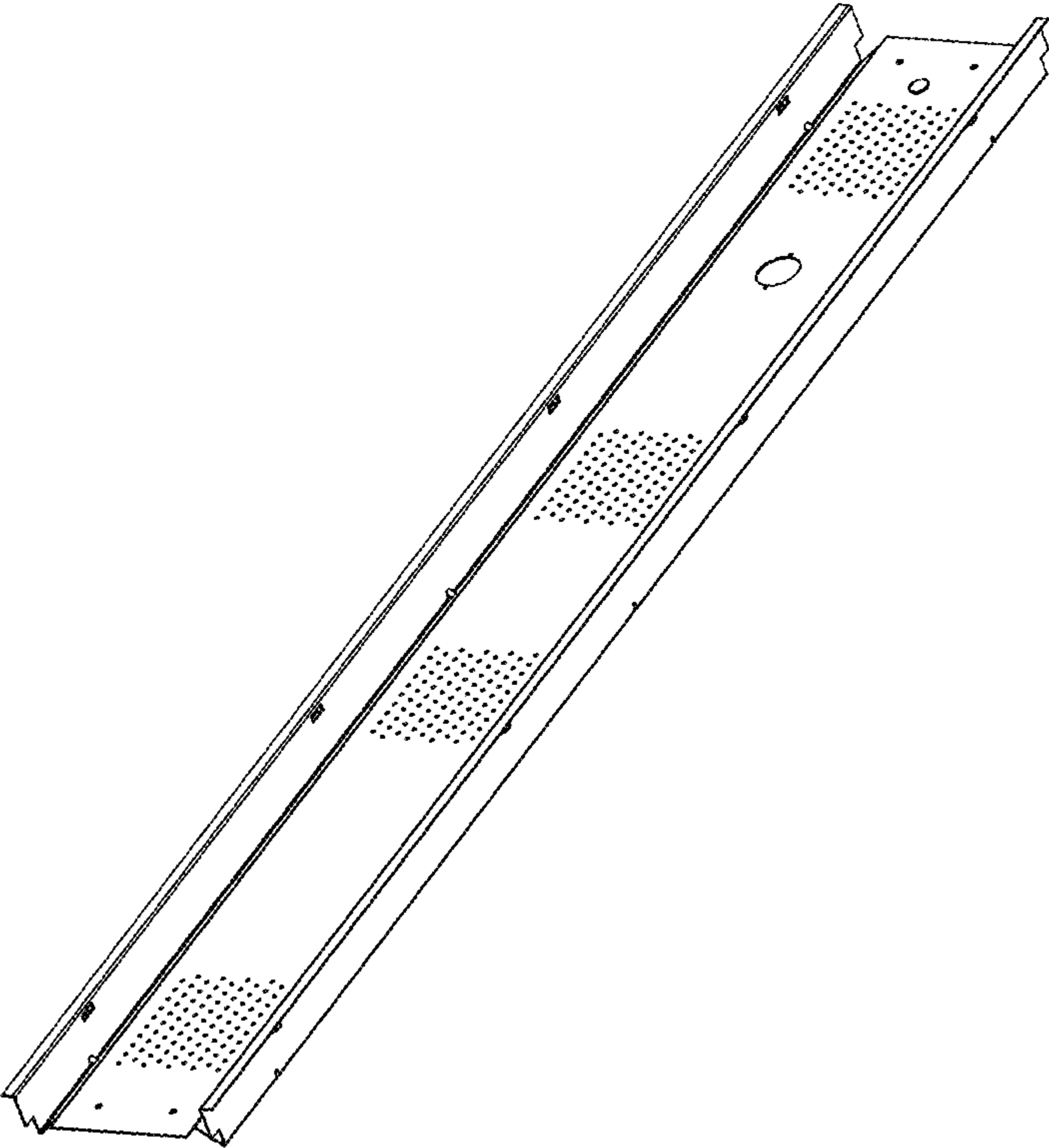


FIG.2

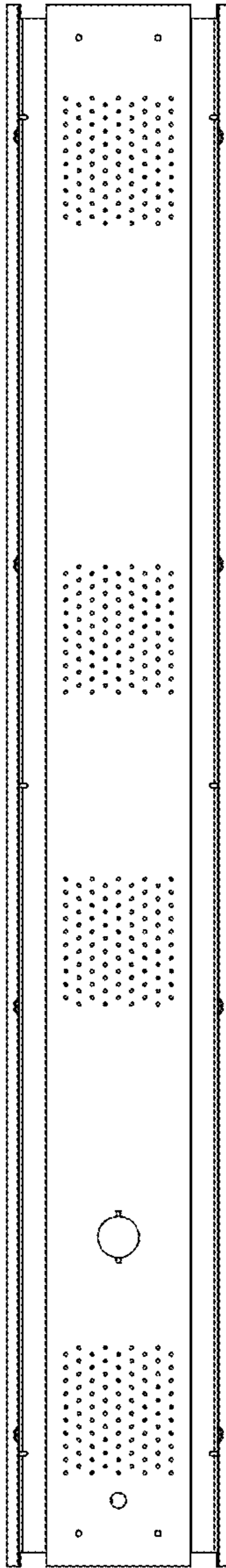


FIG.3

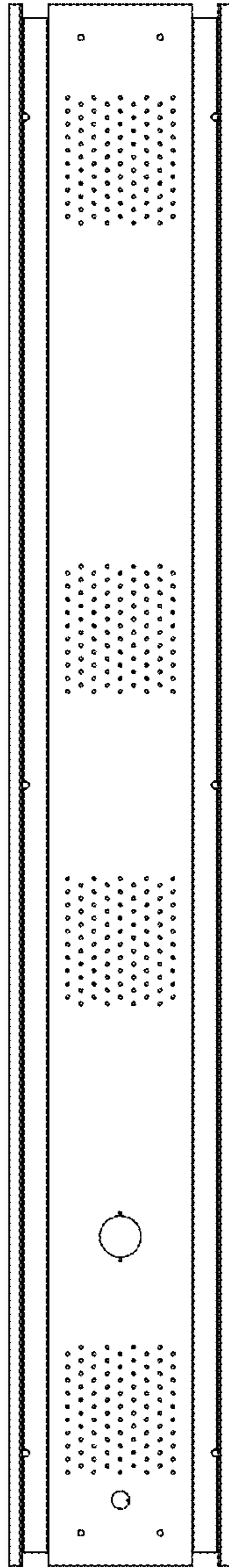


FIG.4

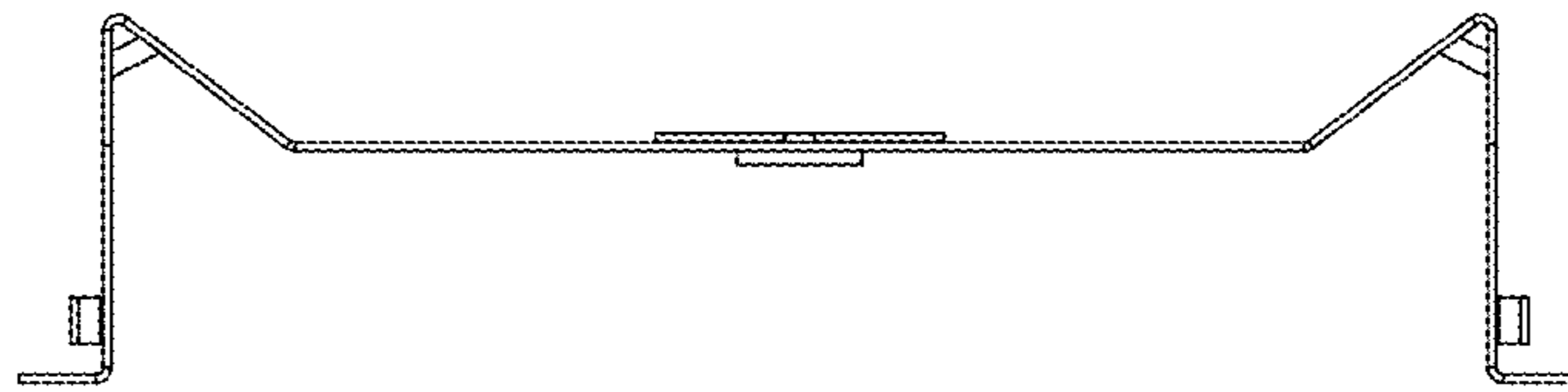


FIG.5

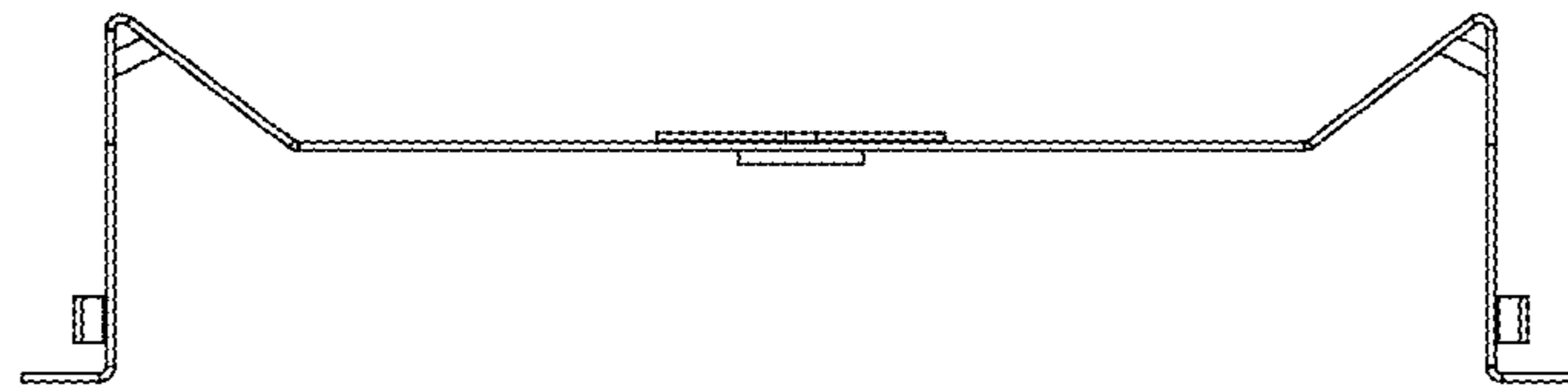


FIG-6





FIG.7



FIG.8