



US00D797344S

(12) **United States Design Patent** (10) **Patent No.:** **US D797,344 S**
Yorio et al. (45) **Date of Patent:** **** Sep. 12, 2017**

(54) **LIGHTING DEVICE**

(71) Applicant: **Biological Innovation & Optimization Systems, LLC**, Melbourne, FL (US)

(72) Inventors: **Neil Yorio**, Indian Harbour Beach, FL (US); **Shane Sullivan**, Indialantic, FL (US); **Eric Thosteson**, Satellite Beach, FL (US); **Sean Tegart**, Wheaton, IL (US)

(73) Assignee: **BIOLOGICAL INNOVATION & OPTIMIZATION SYSTEMS, LLC**, Melbourne, FL (US)

(**) Term: **15 Years**

(21) Appl. No.: **29/557,781**

(22) Filed: **Mar. 11, 2016**

(51) **LOC (10) Cl.** **26-04**

(52) **U.S. Cl.**
USPC **D26/78**

(58) **Field of Classification Search**
USPC D10/111-115; D13/134; D14/473;
D25/119, 126, 133, 135; D26/38, 39, 40,
D26/42, 46, 48, 51, 54, 60, 61, 63, 64,
D26/65, 66, 71, 74, 75, 78, 80, 81, 82,
D26/83, 84, 85, 86, 88, 89, 91, 113, 118,
D26/119, 120, 121, 122, 138, 141, 142,
D26/152

CPC F21S 4/28; F21S 8/026; F21S 8/031; F21S
8/036; F21S 8/043; F21V 21/04; F21V
29/74; F21V 29/75; F21V 29/83

See application file for complete search history.

(56) **References Cited**

U.S. PATENT DOCUMENTS

D306,773 S * 3/1990 Roulstone D26/78
D447,266 S * 8/2001 Verfuerrth D26/76
D592,786 S * 5/2009 Bisberg D26/76

D619,748 S * 7/2010 Jong D26/71
D640,817 S * 6/2011 Salessi D26/63
D654,203 S * 2/2012 Kuan D26/71
D667,584 S * 9/2012 Beghelli D26/75
D675,365 S * 1/2013 Beghelli D26/78
D678,582 S * 3/2013 Du D26/71
D690,839 S * 10/2013 Wang D26/24
D697,652 S * 1/2014 Savani D26/76
D699,882 S * 2/2014 Mollaghaffari D26/75
D699,884 S * 2/2014 Savani D26/76
D701,639 S * 3/2014 Maxik D26/138
D761,477 S * 7/2016 Guercio D26/76
D765,278 S * 8/2016 Wu D26/24

(Continued)

OTHER PUBLICATIONS

BIOS Icarus fixtures (available online Sep. 28, 2016) Retrieved from the internet Jul. 10, 2017, retrieved from the internet URL: https://www.youtube.com/watch?v=ILK6JG4Clqo.*

Primary Examiner — Garth Rademaker

Assistant Examiner — Richard Kearney

(74) *Attorney, Agent, or Firm* — OIPWC, LLC

(57) **CLAIM**

The ornamental design for a lighting device, as shown and described.

DESCRIPTION

FIG. 1 is a top perspective view of a lighting device according to our new design.

FIG. 2 is a bottom perspective view thereof;

FIG. 3 is a front elevation view thereof, the opposite side being identical thereto;

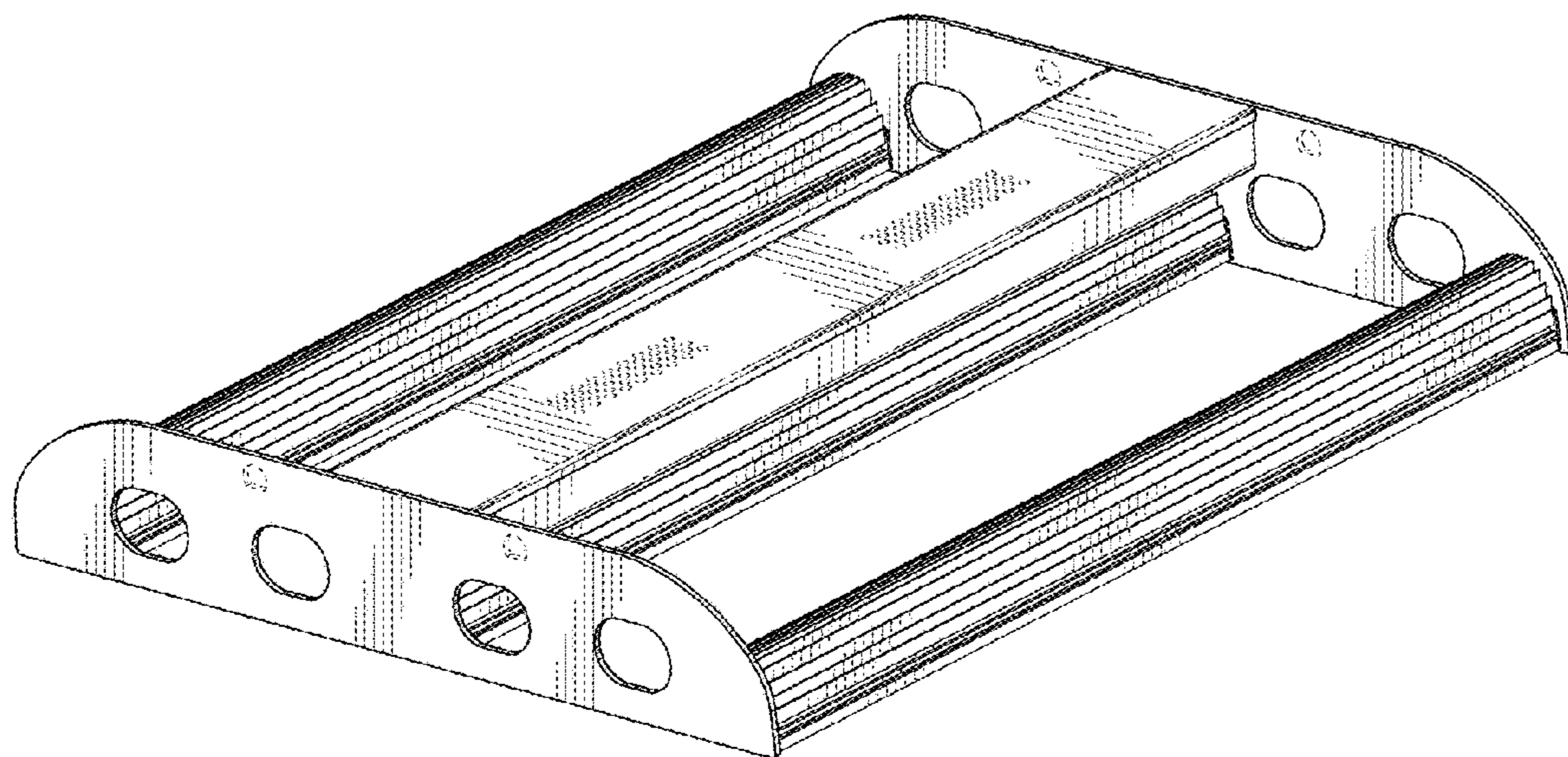
FIG. 4 is a right side elevation view thereof, the left side being identical thereto;

FIG. 5 is a top plan view thereof; and,

FIG. 6 is a bottom plan view thereof.

The broken lines shown in the drawings illustrate portions of the lighting device that form no part of the claimed design.

1 Claim, 5 Drawing Sheets



(56)

References Cited

U.S. PATENT DOCUMENTS

9,510,426 B2 * 11/2016 Chemel H05B 33/0854
2011/0216538 A1 * 9/2011 Logan F21V 5/00
362/244
2013/0094230 A1 * 4/2013 Verfueth F21V 21/112
362/396
2017/0023193 A1 * 1/2017 Thosteson H05B 37/0272

* cited by examiner

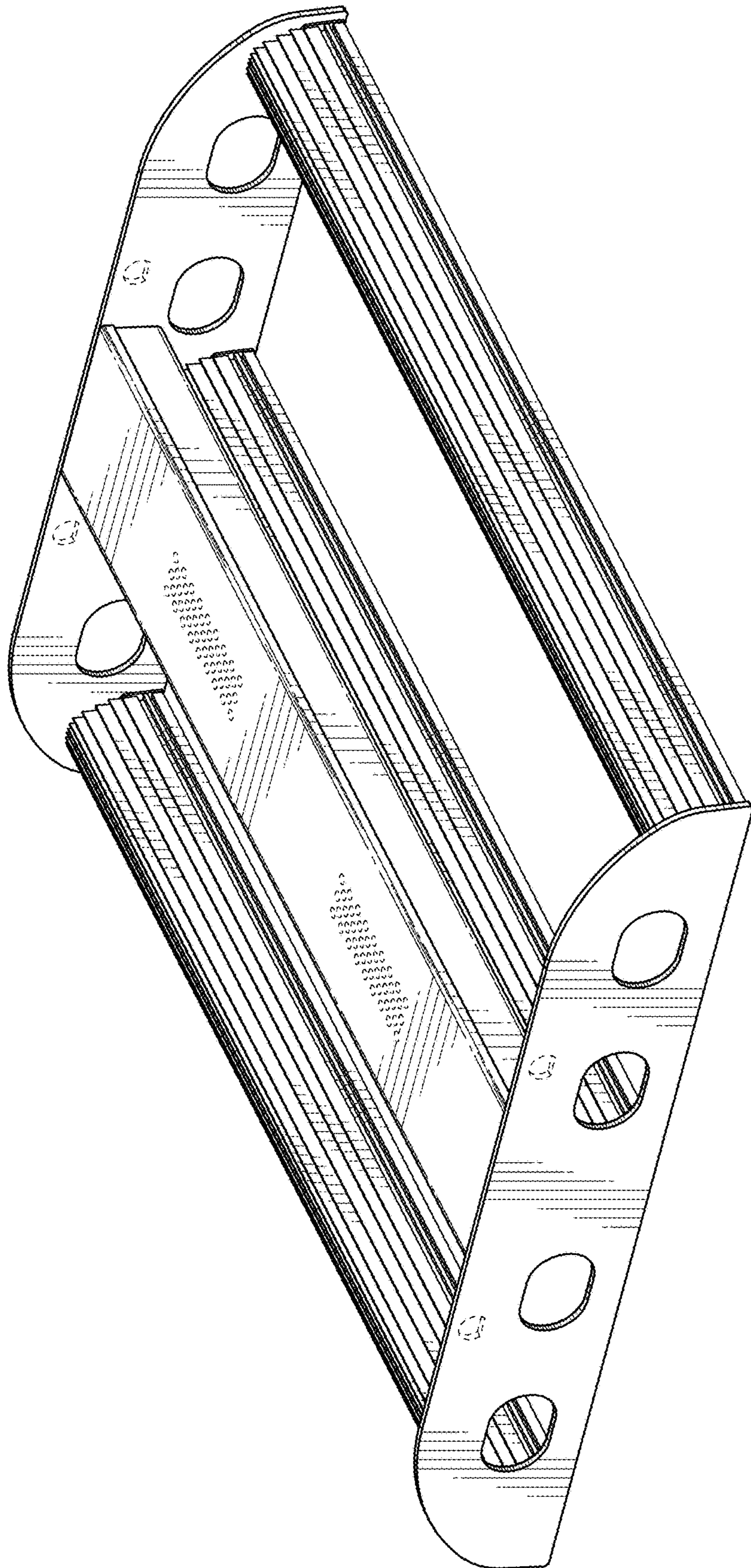


FIG. 1

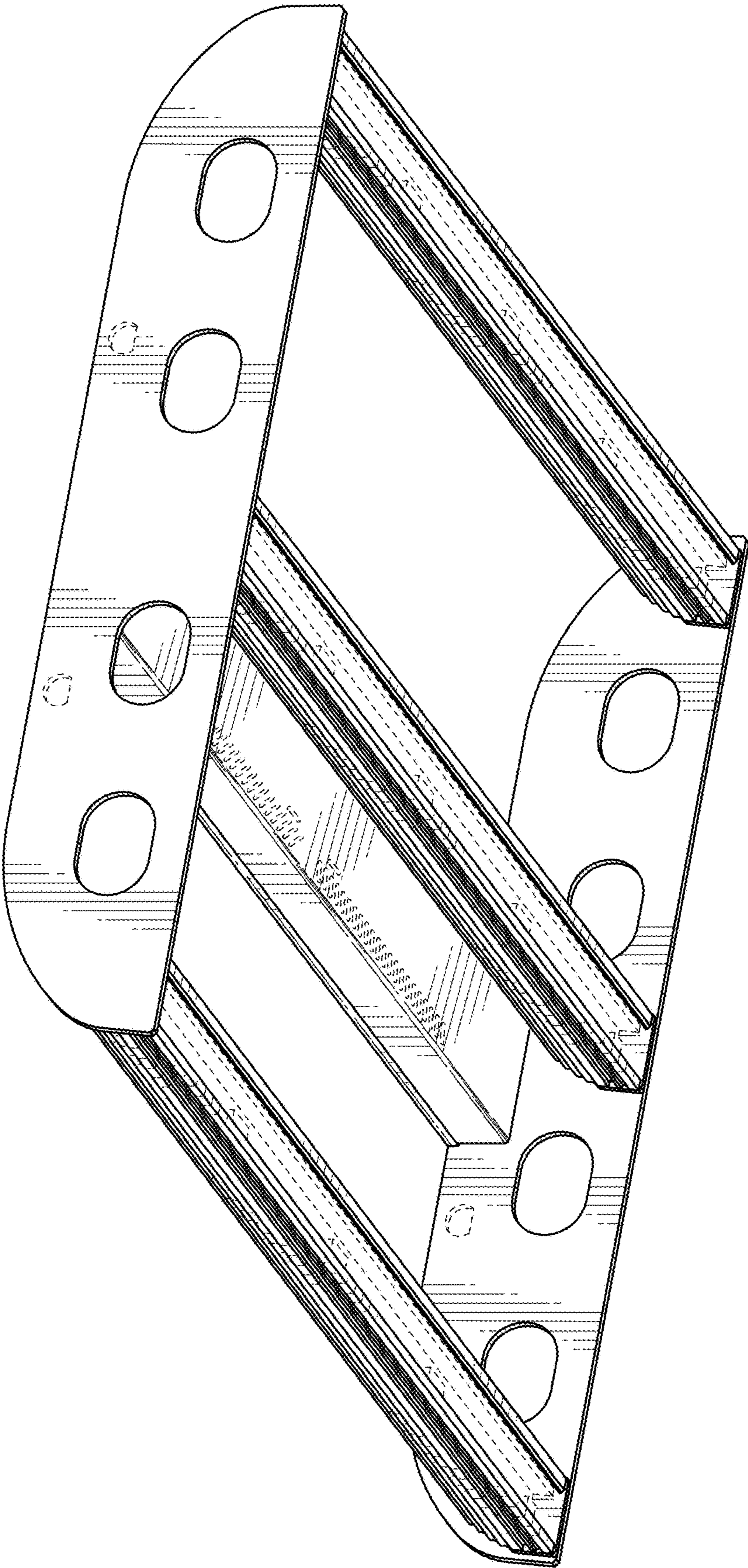


FIG. 2

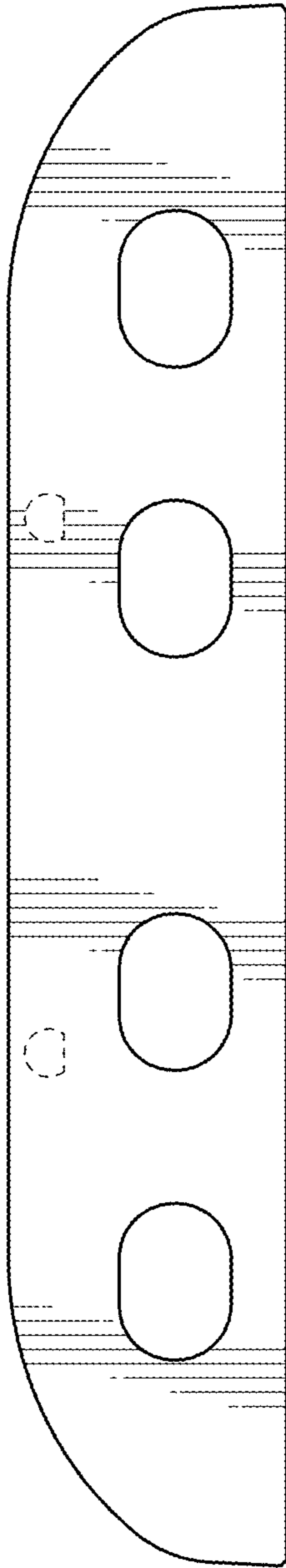


FIG. 3

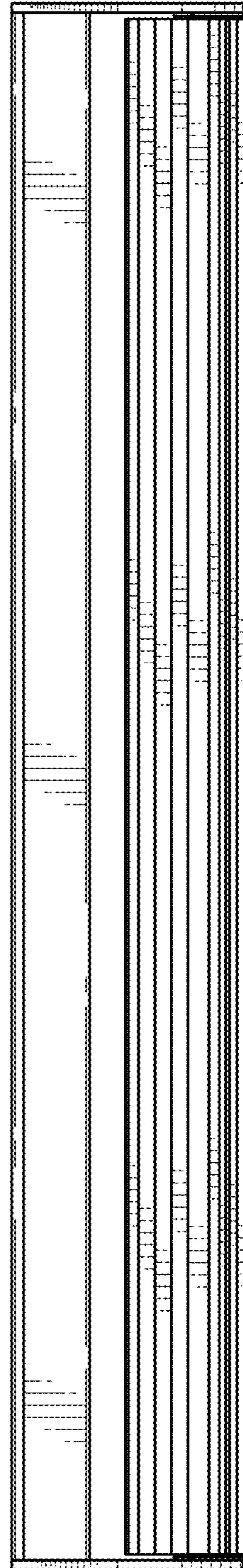


FIG. 4

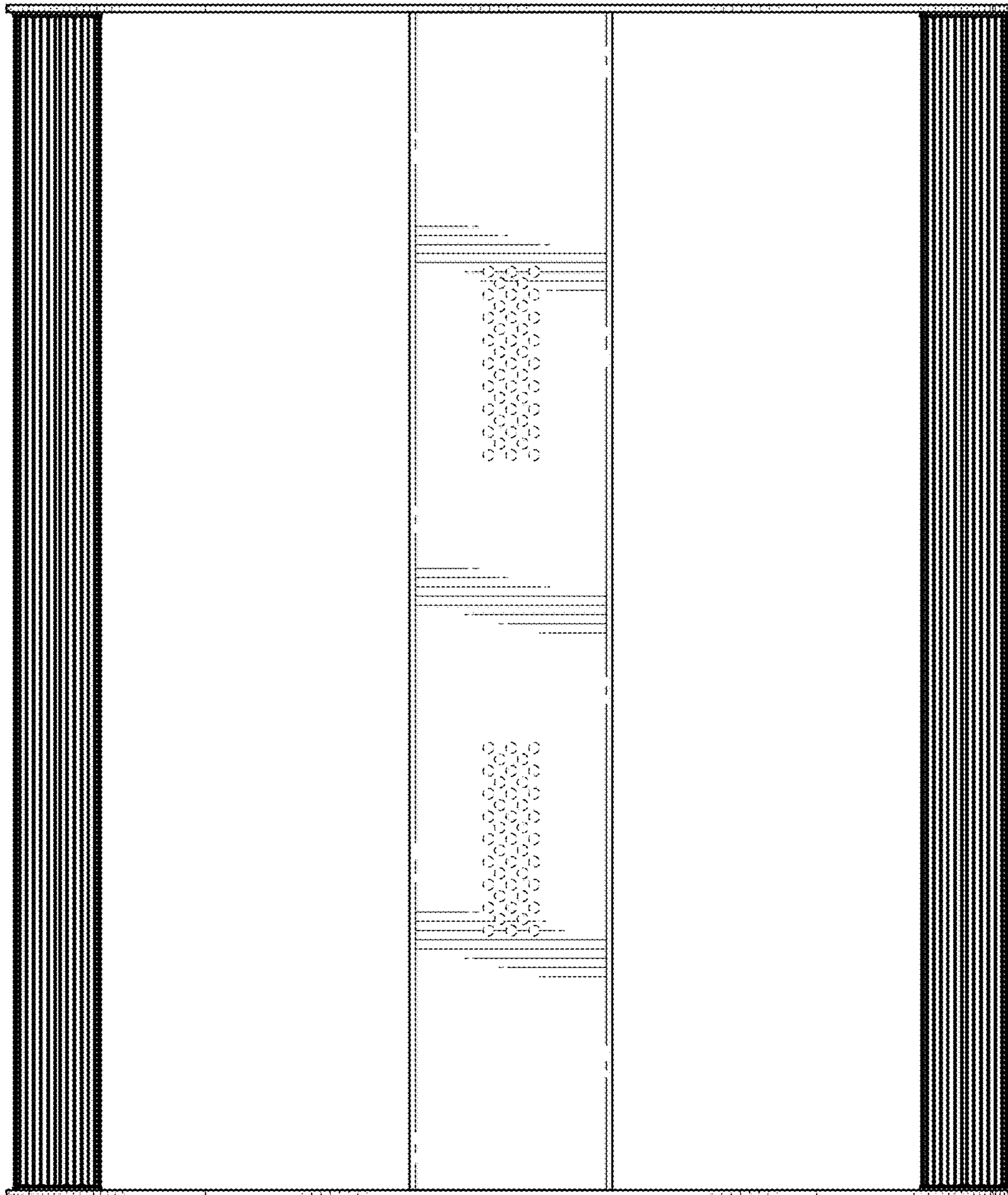


FIG. 5

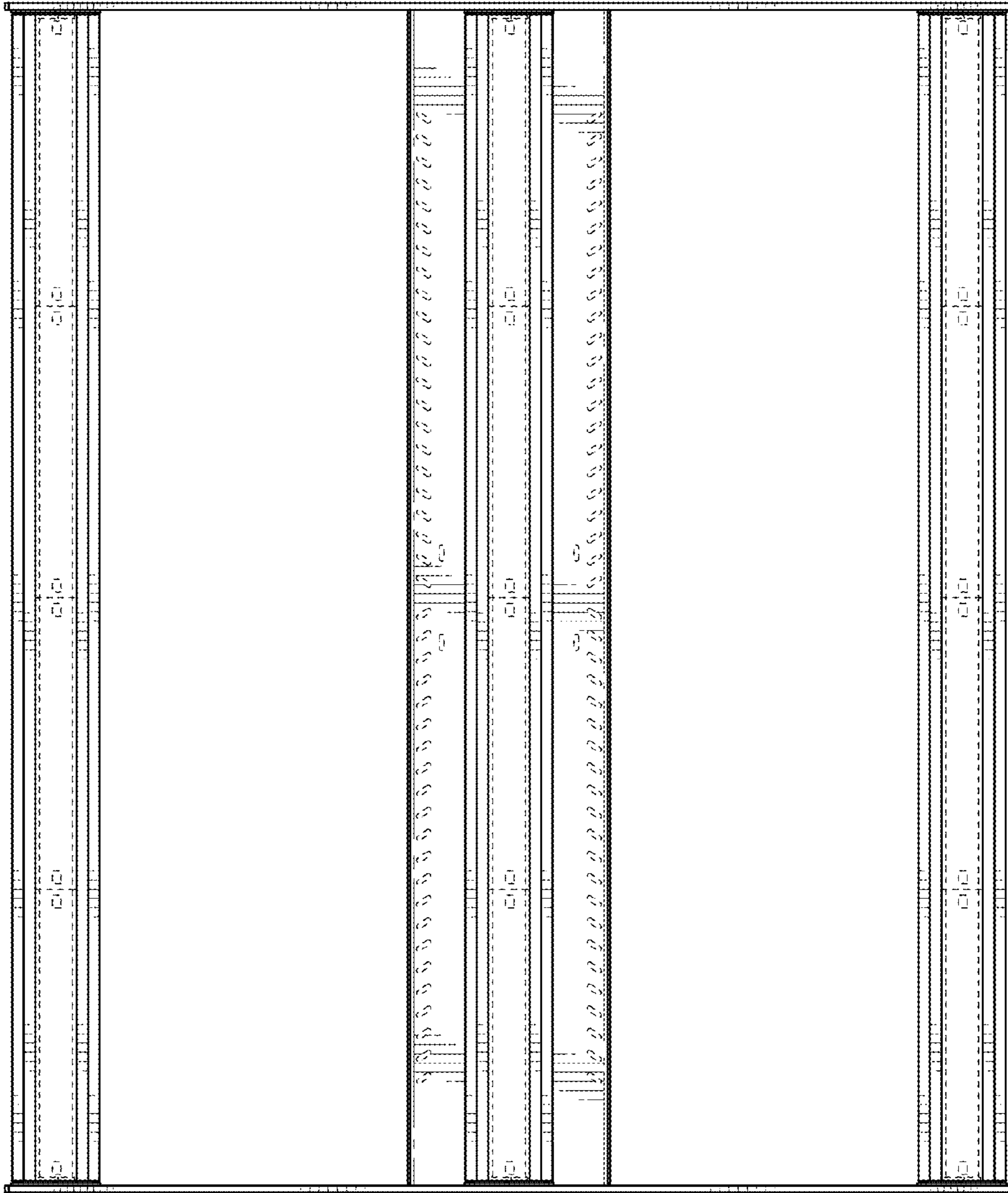


FIG. 6