



US00D797342S

(12) **United States Design Patent**  
**Rousseau**

(10) **Patent No.:** **US D797,342 S**  
(45) **Date of Patent:** **\*\* Sep. 12, 2017**

(54) **SOLAR-POWERED SPOTLIGHT**  
(71) Applicant: **NII NORTHERN INTERNATIONAL INC., Coquitlam (CA)**  
(72) Inventor: **Stephane Rousseau, Delson (CA)**  
(73) Assignee: **NII Northern International Inc., Coquitlam, British Columbia (CA)**

(\*\*) Term: **15 Years**  
(21) Appl. No.: **29/572,318**

(22) Filed: **Jul. 27, 2016**  
(51) **LOC (10) Cl.** ..... **26-05**  
(52) **U.S. Cl.**  
USPC ..... **D26/67; D26/63**  
(58) **Field of Classification Search**  
USPC ..... D26/63, 67, 68  
CPC .... F21S 8/003; F21S 8/08; F21S 8/081; F21S 8/083; F21S 9/03; F21S 9/032; F21S 9/035; F21S 9/037; F21V 21/0824; F21V 21/30; F21W 2121/004; F21W 2131/105; F21W 2131/109  
See application file for complete search history.

(56) **References Cited**  
U.S. PATENT DOCUMENTS  
3,088,024 A \* 4/1963 Lowell ..... F21V 21/08 362/388  
D373,437 S \* 9/1996 Kira ..... D26/63  
D400,996 S \* 11/1998 Tang ..... D26/63  
D443,710 S \* 6/2001 Chiu ..... D26/63  
D522,678 S \* 6/2006 Wang ..... D26/60  
D531,748 S \* 11/2006 Sanoner ..... D26/63  
D546,993 S \* 7/2007 Layne ..... D26/61  
D637,751 S \* 5/2011 Chiu ..... D26/63  
D638,159 S \* 5/2011 Yao ..... D26/63  
D670,846 S \* 11/2012 Ramirez ..... D26/63

D693,502 S \* 11/2013 Rashidi ..... D26/63  
D762,903 S \* 8/2016 Tsai ..... D26/63  
D764,694 S \* 8/2016 Tsai ..... D26/63  
D768,898 S \* 10/2016 Crone ..... D26/63  
2005/0103378 A1\* 5/2005 Pu ..... F21S 9/032 136/244  
2014/0119022 A1\* 5/2014 Beausoleil ..... F21S 6/004 362/294

\* cited by examiner

*Primary Examiner* — Clare E Heflin  
(74) *Attorney, Agent, or Firm* — McAndrews, Held & Malloy, Ltd.

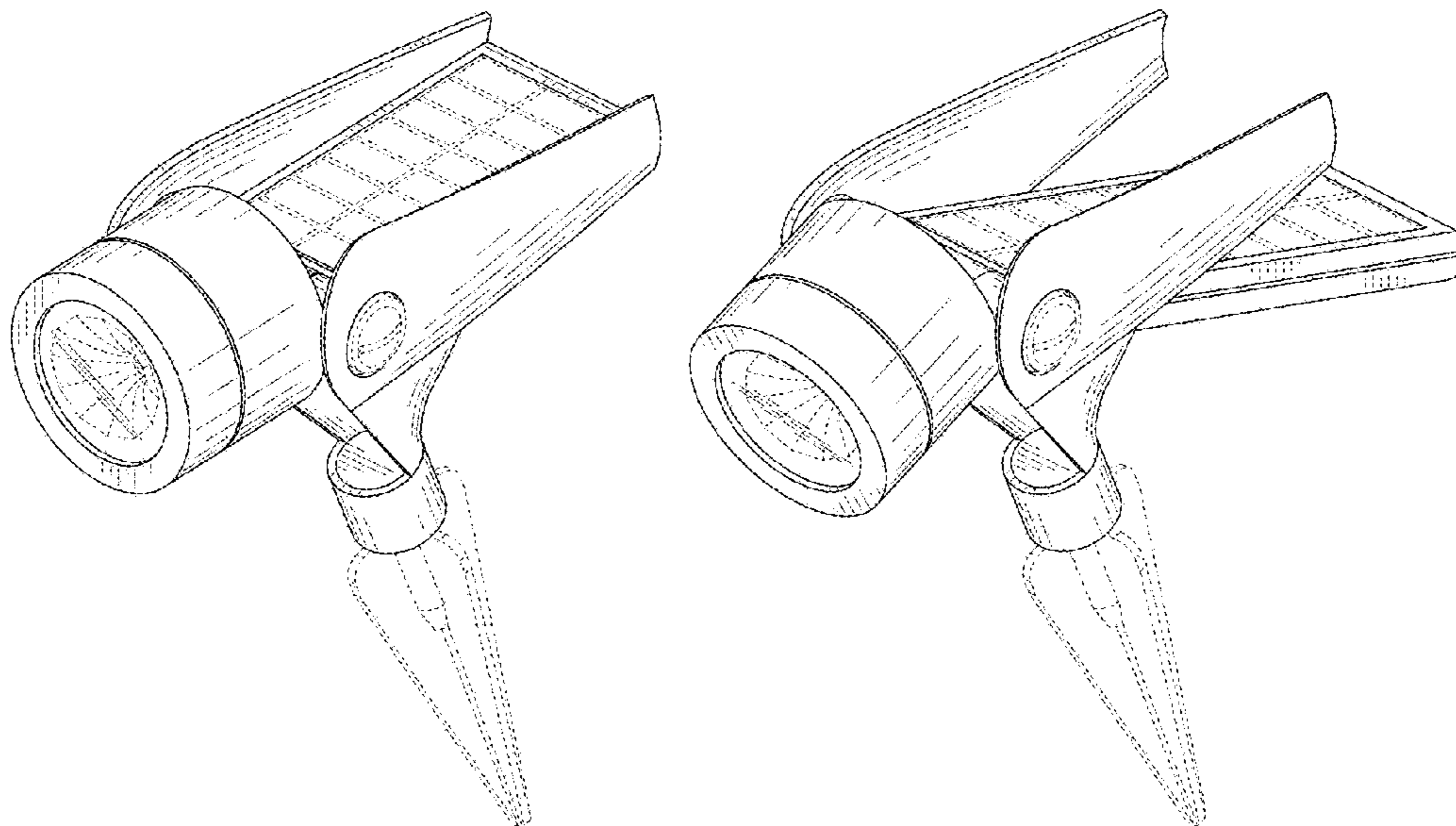
(57) **CLAIM**

The ornamental design for a solar-powered spotlight, as shown and described.

**DESCRIPTION**

FIG. 1 is a top, front perspective view of a solar-powered spotlight showing my new ornamental design in a first position;  
FIG. 2 is a front elevation view thereof;  
FIG. 3 is a rear elevation view thereof;  
FIG. 4 is a left-side elevation view thereof;  
FIG. 5 is a right-side elevation view thereof;  
FIG. 6 is a top plan view thereof;  
FIG. 7 is a bottom plan view thereof;  
FIG. 8 is a top, front perspective view of the solar-powered spotlight shown in a second position; and,  
FIG. 9 is a top, front perspective view of the solar-powered spotlight shown in a third position.  
The broken lines in the drawings represent environmental subject matter and form no part of the claimed design. The oblique line shading shown in FIGS. 1, 2, 8, and 9, is used to denote claimed surfaces of the solar-powered spotlight that are transparent.

**1 Claim, 7 Drawing Sheets**



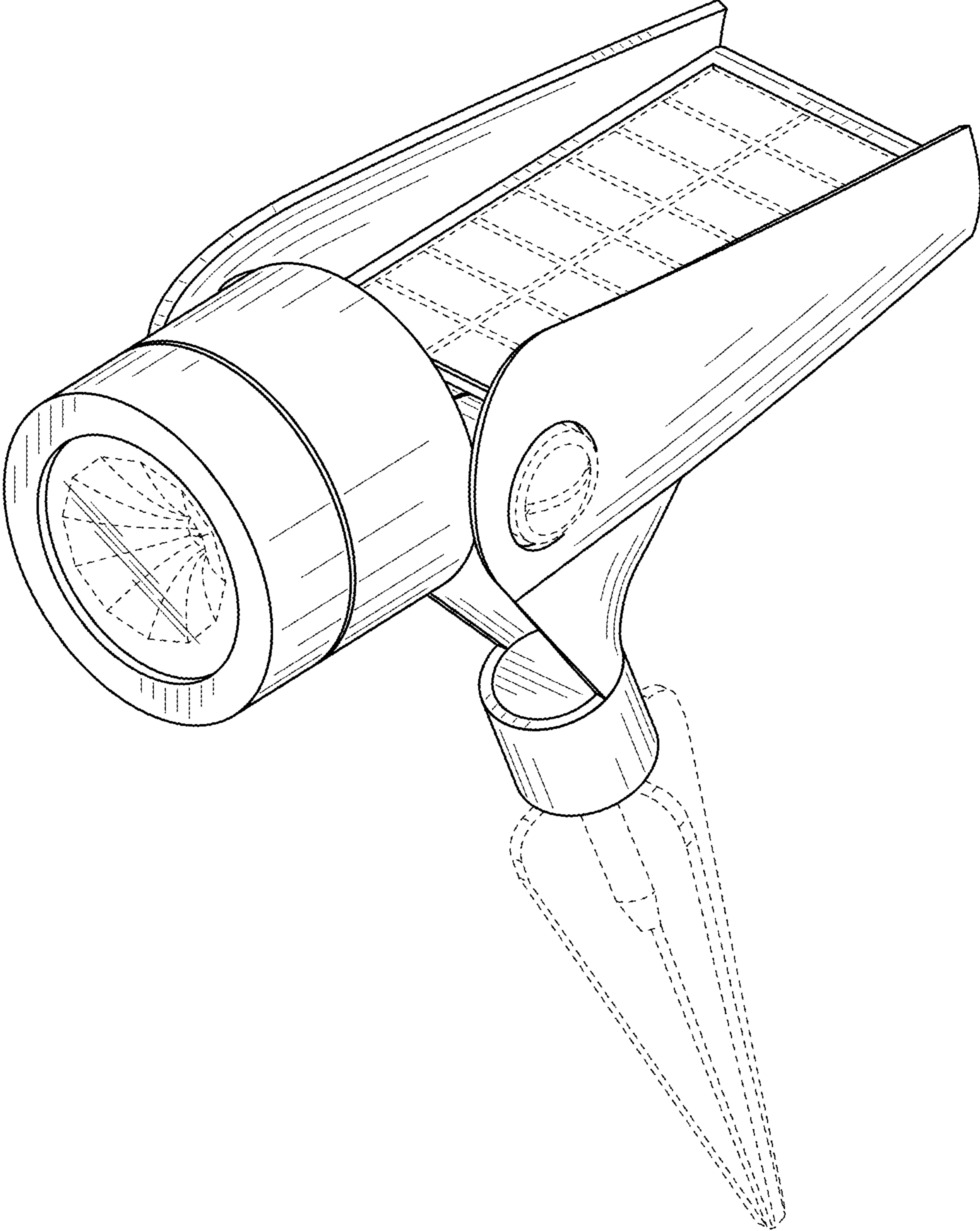


FIG. 1

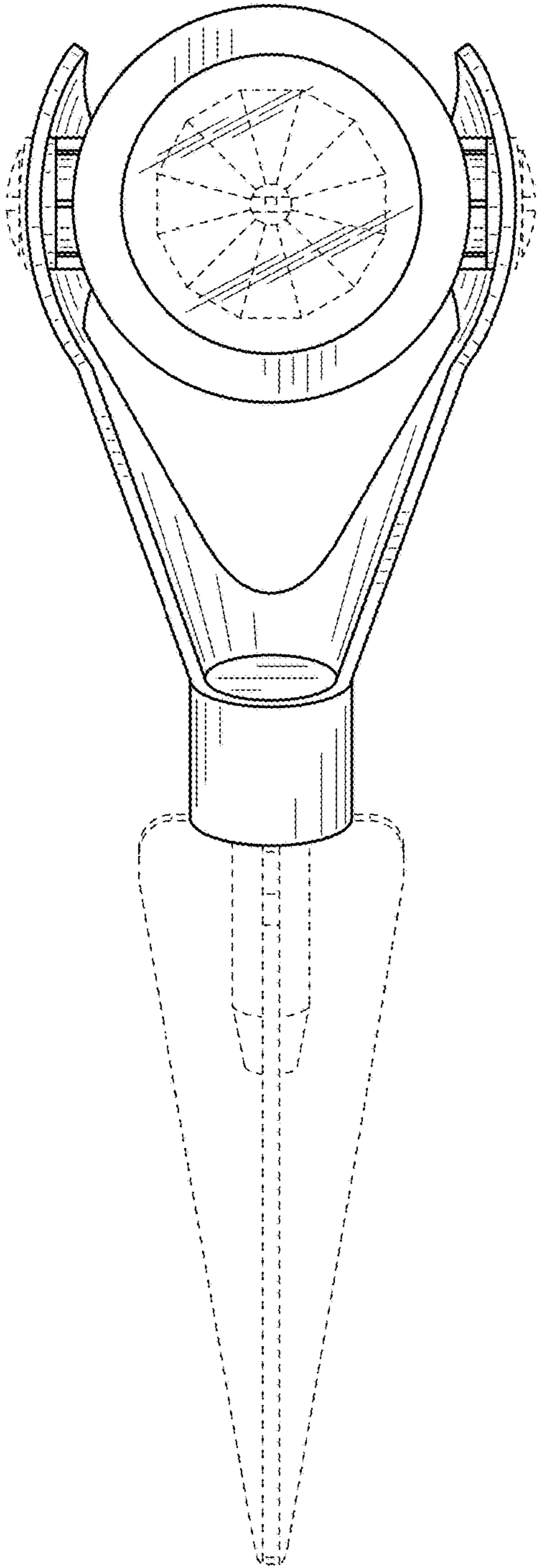


FIG. 2

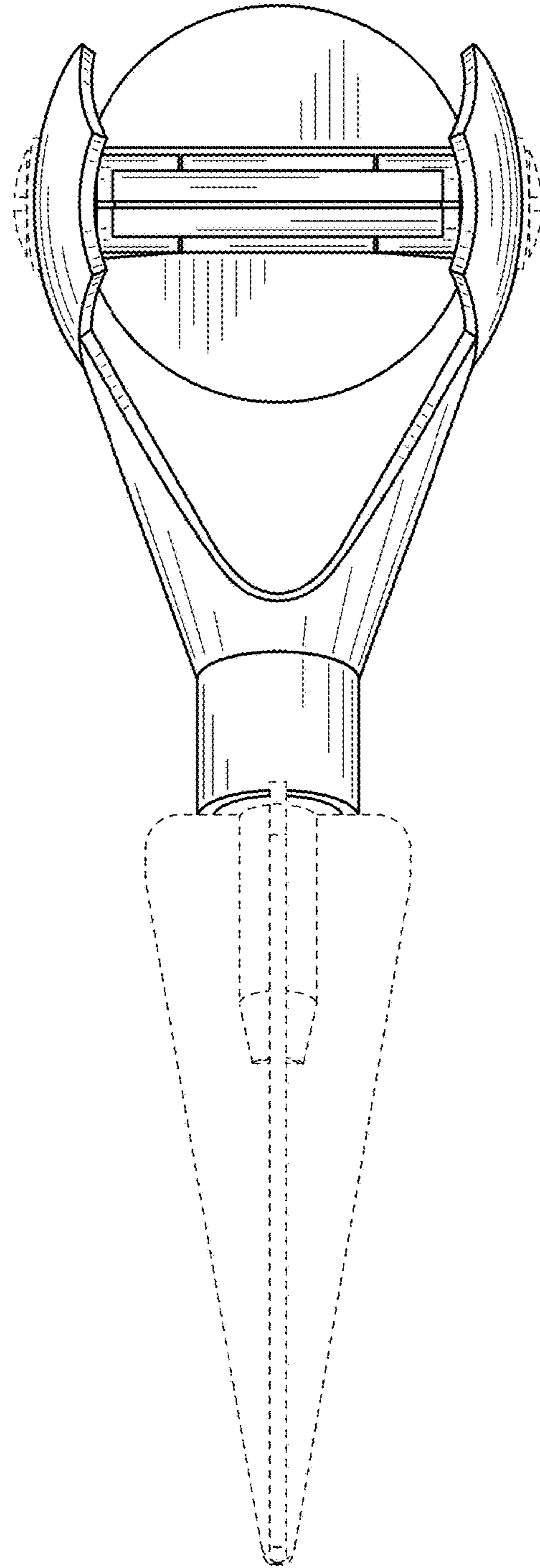


FIG. 3

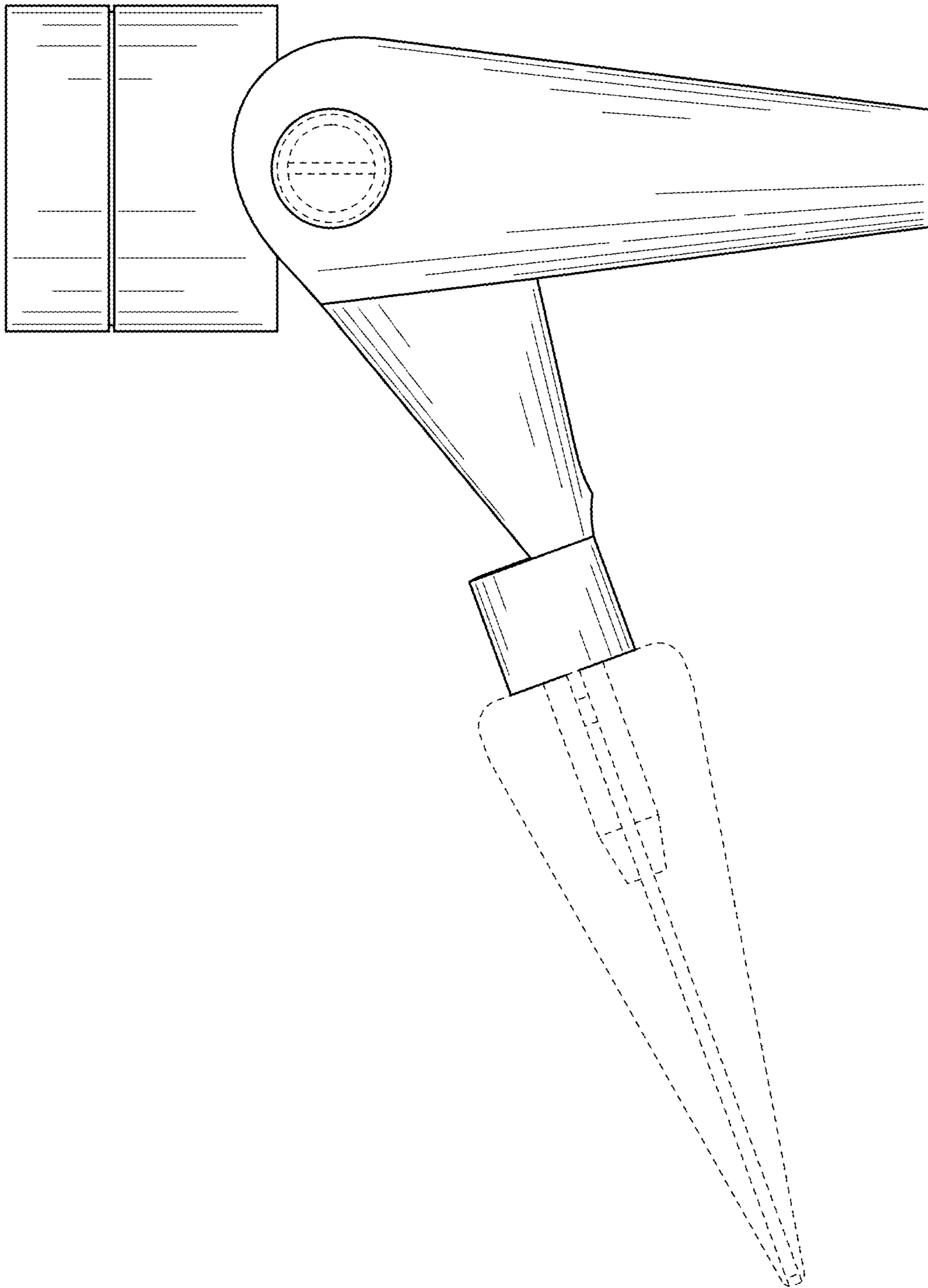


FIG. 4

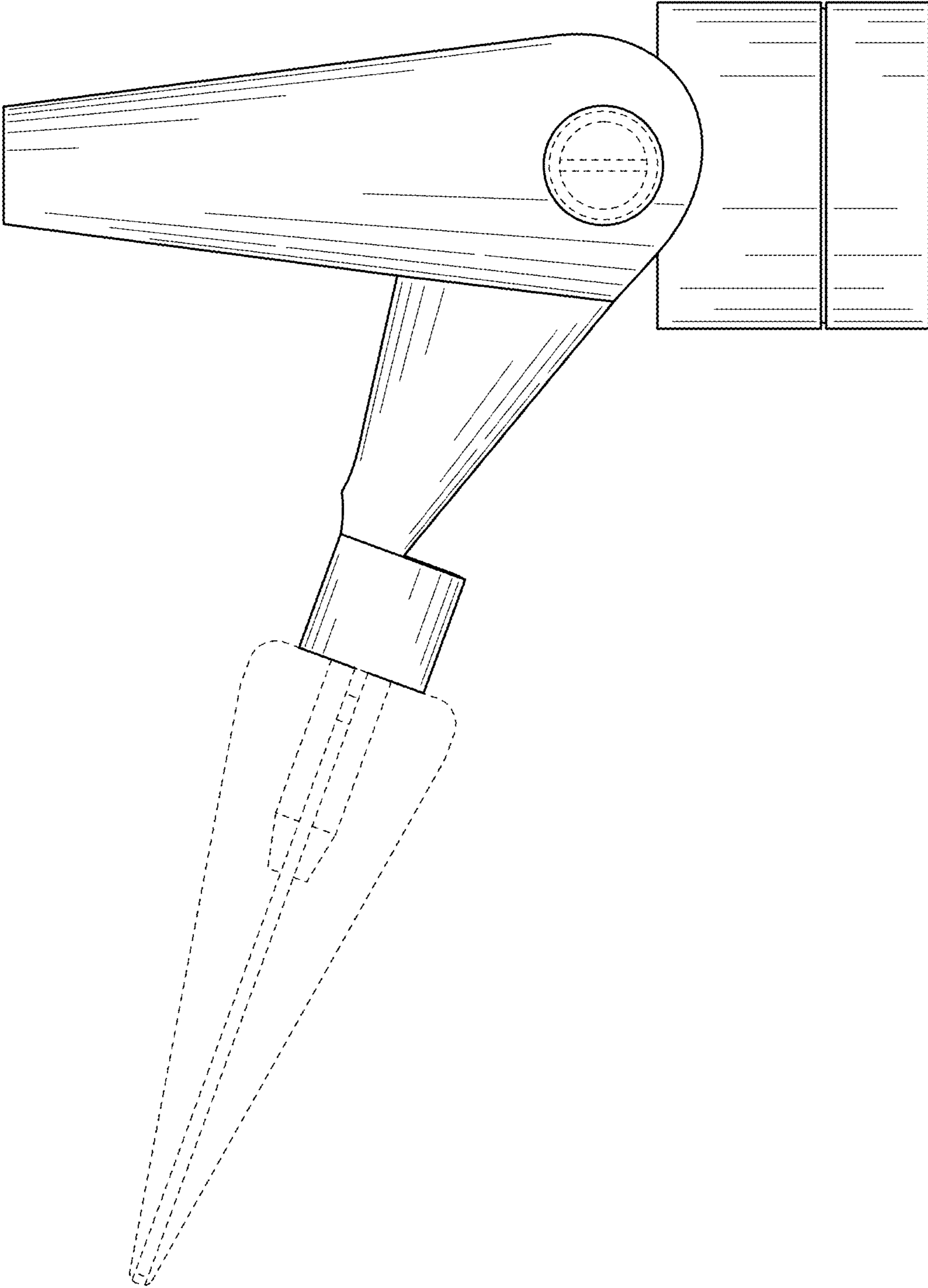


FIG. 5

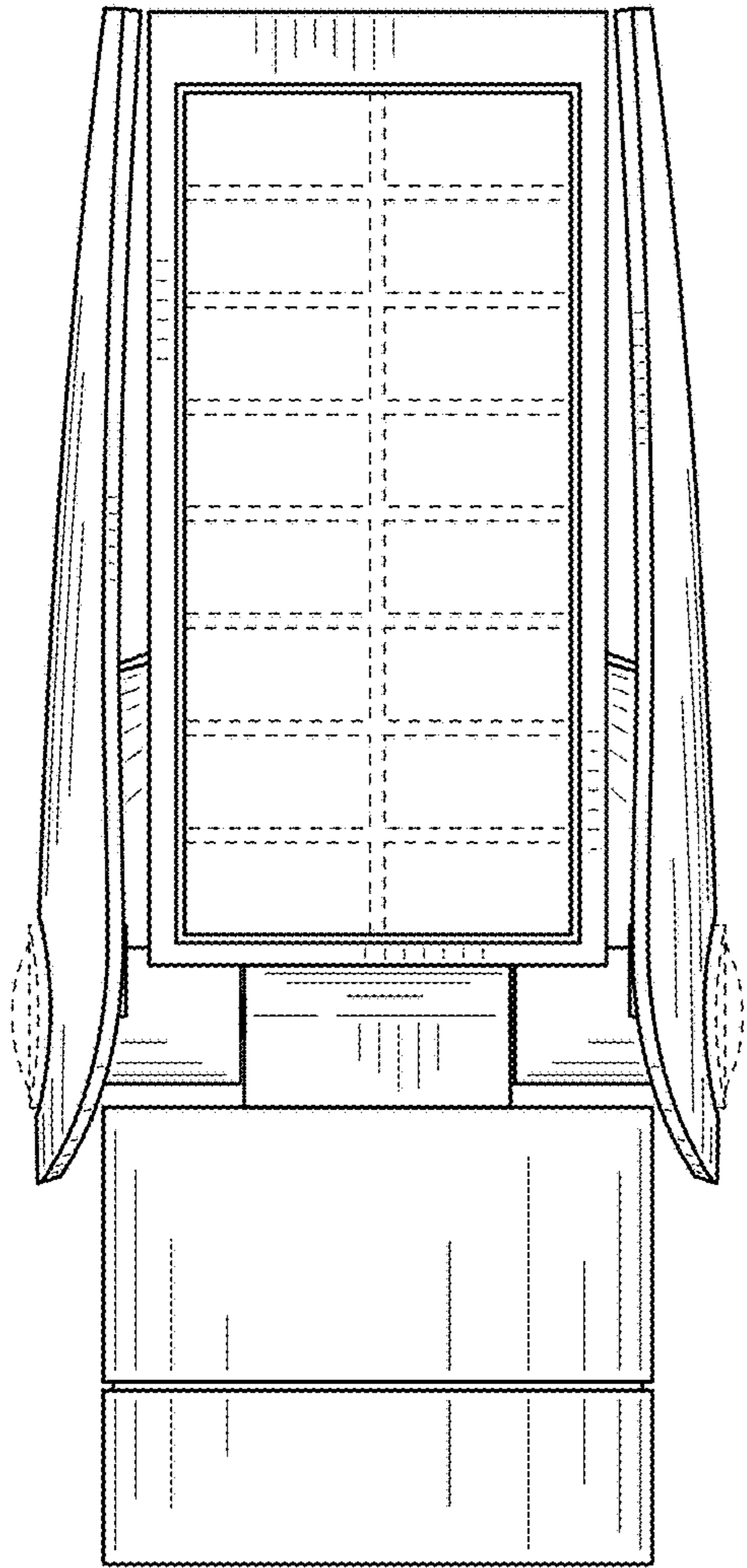


FIG. 6

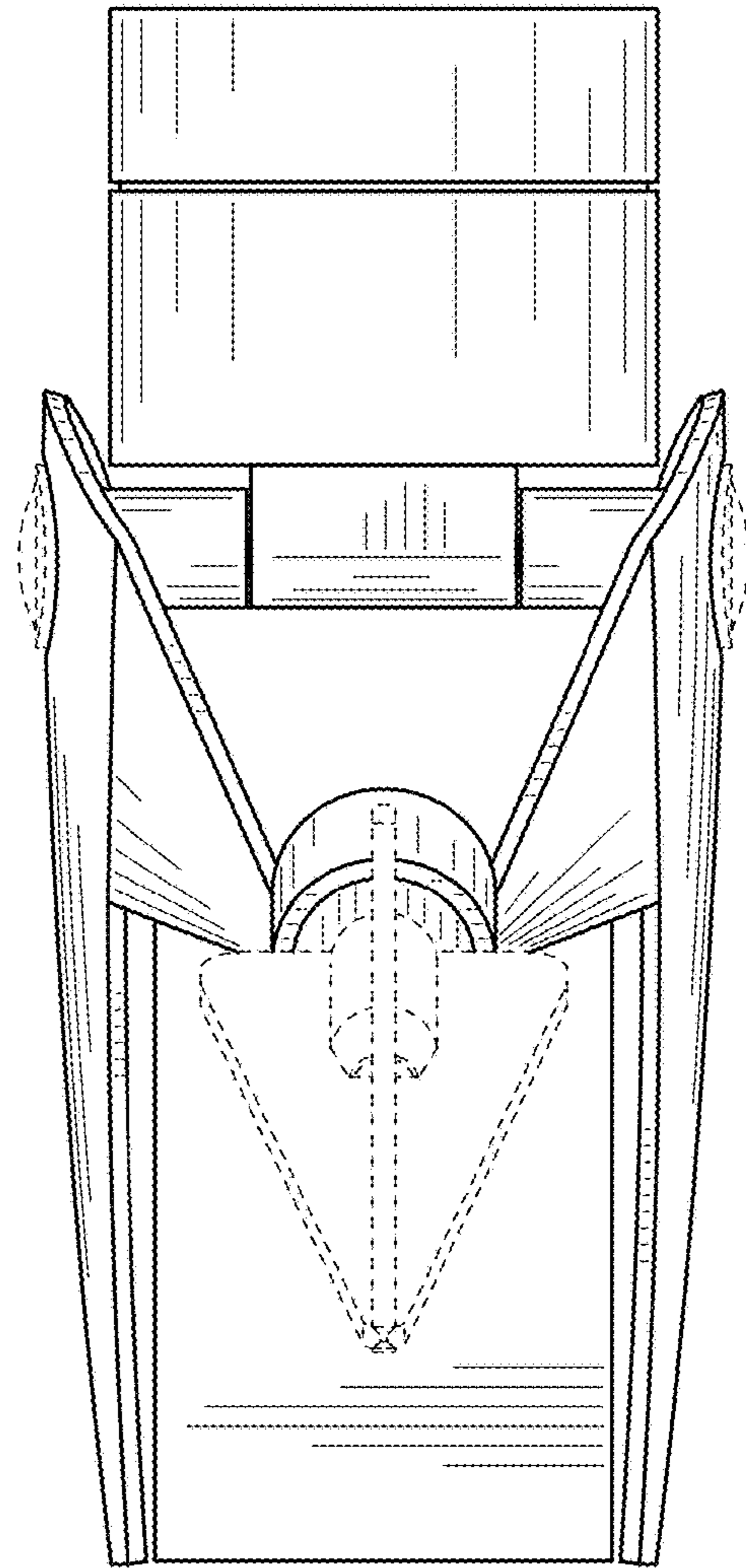


FIG. 7

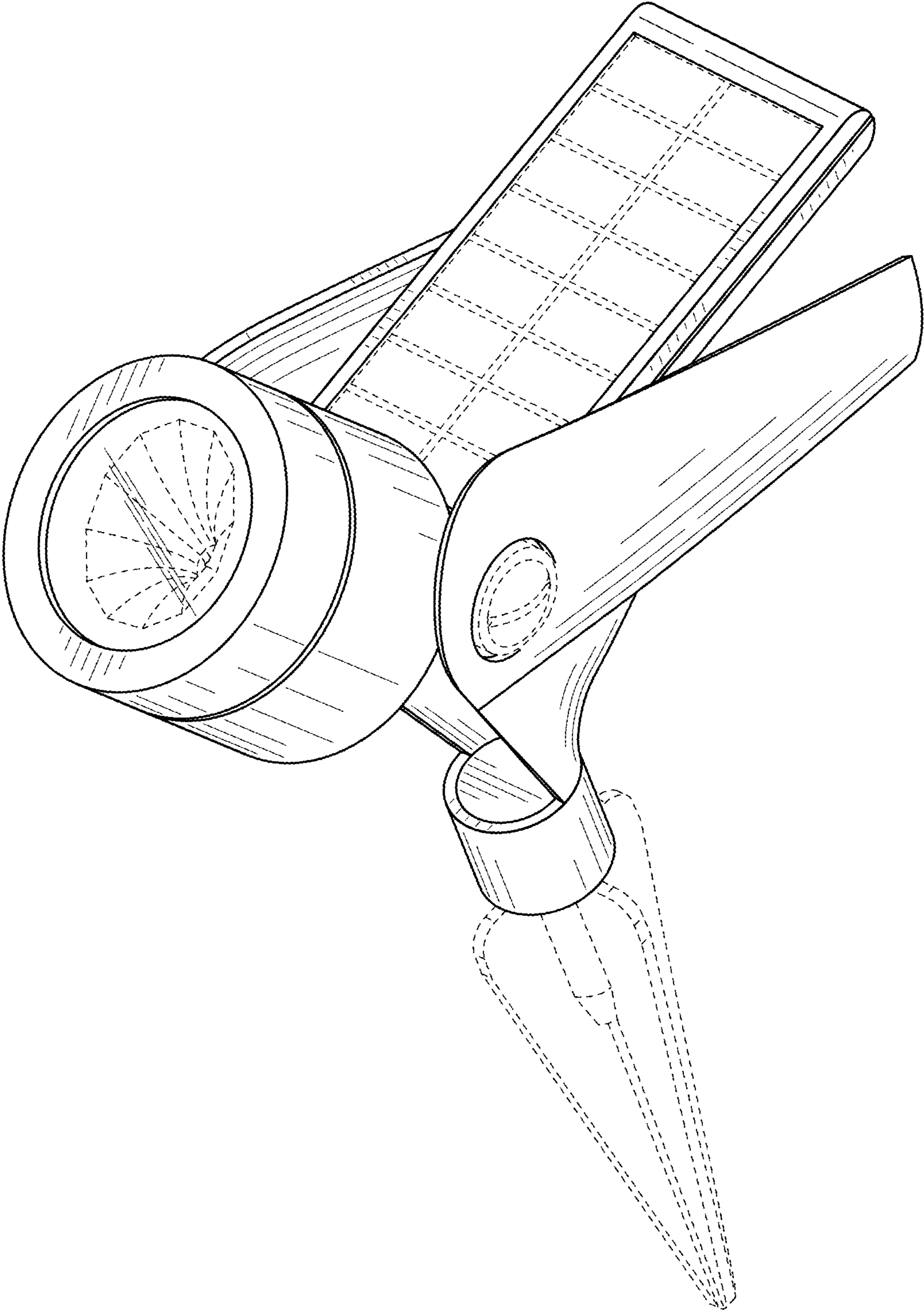


FIG. 8

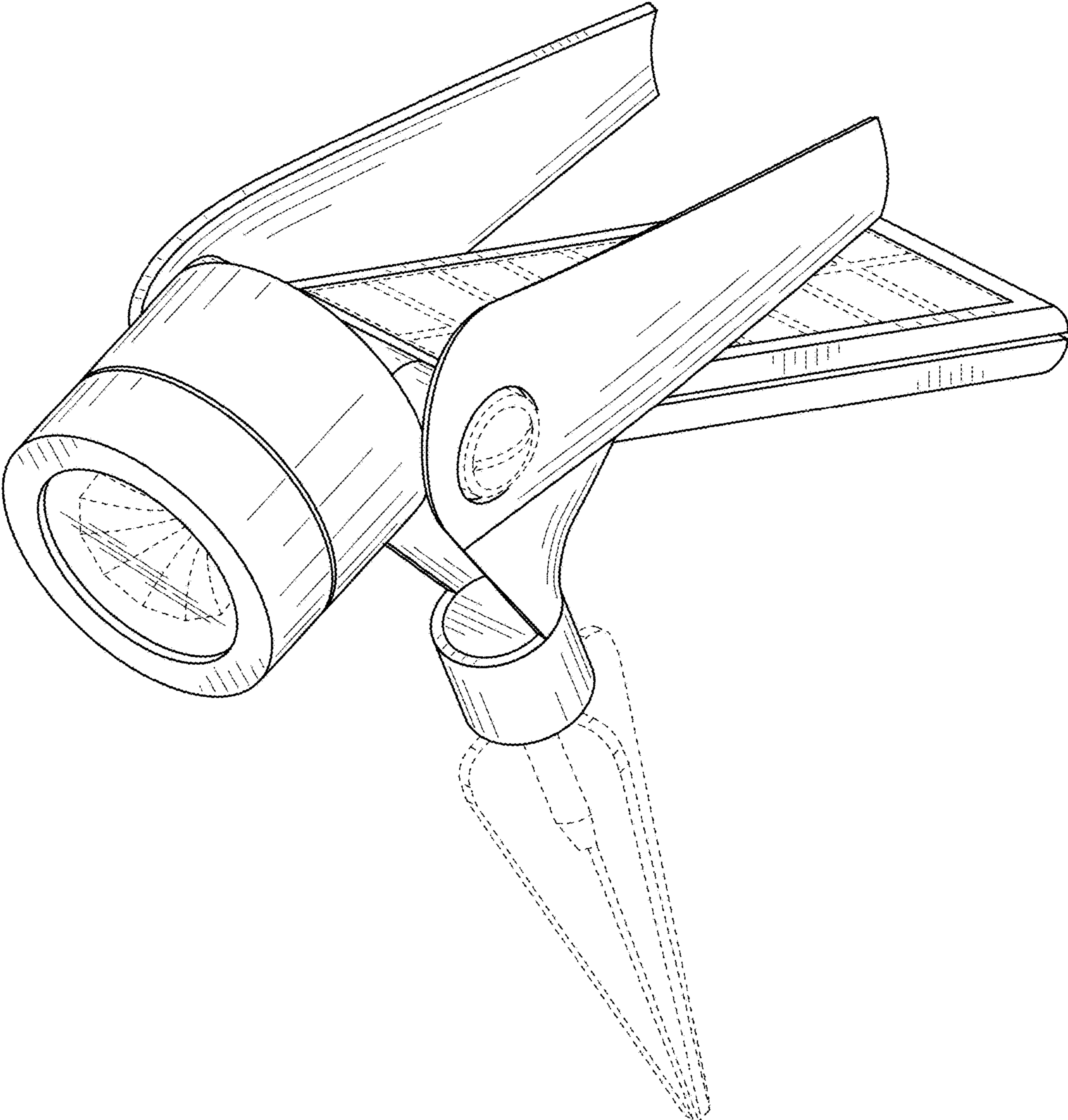


FIG. 9