



US00D797341S

(12) **United States Design Patent**
Lin

(10) **Patent No.:** **US D797,341 S**

(45) **Date of Patent:** **** Sep. 12, 2017**

(54) **LED DESK LAMP**

(71) Applicant: **Kunsheng Lin**, Guangdong (CN)

(72) Inventor: **Kunsheng Lin**, Guangdong (CN)

(**) Term: **15 Years**

(21) Appl. No.: **29/592,997**

(22) Filed: **Feb. 4, 2017**

(51) **LOC (10) Cl.** **26-03**

(52) **U.S. Cl.**
USPC **D26/65**

(58) **Field of Classification Search**
USPC D26/37, 39, 60-63, 65
CPC F21Y 2105/00; F21V 21/30; F21V 21/14;
F21V 21/145; F21V 15/01
See application file for complete search history.

(56) **References Cited**

U.S. PATENT DOCUMENTS

D351,678 S * 10/1994 Chen D26/65
D498,551 S * 11/2004 Chan D26/37

D623,336 S * 9/2010 Levine D26/60
D642,315 S * 7/2011 Yu Chung Han D26/65
D649,672 S * 11/2011 Wang D26/65
D710,527 S * 8/2014 Brown D26/63
D766,481 S * 9/2016 Lipson D26/63
D781,480 S * 3/2017 Zhan D26/63

* cited by examiner

Primary Examiner — Brian N Vinson

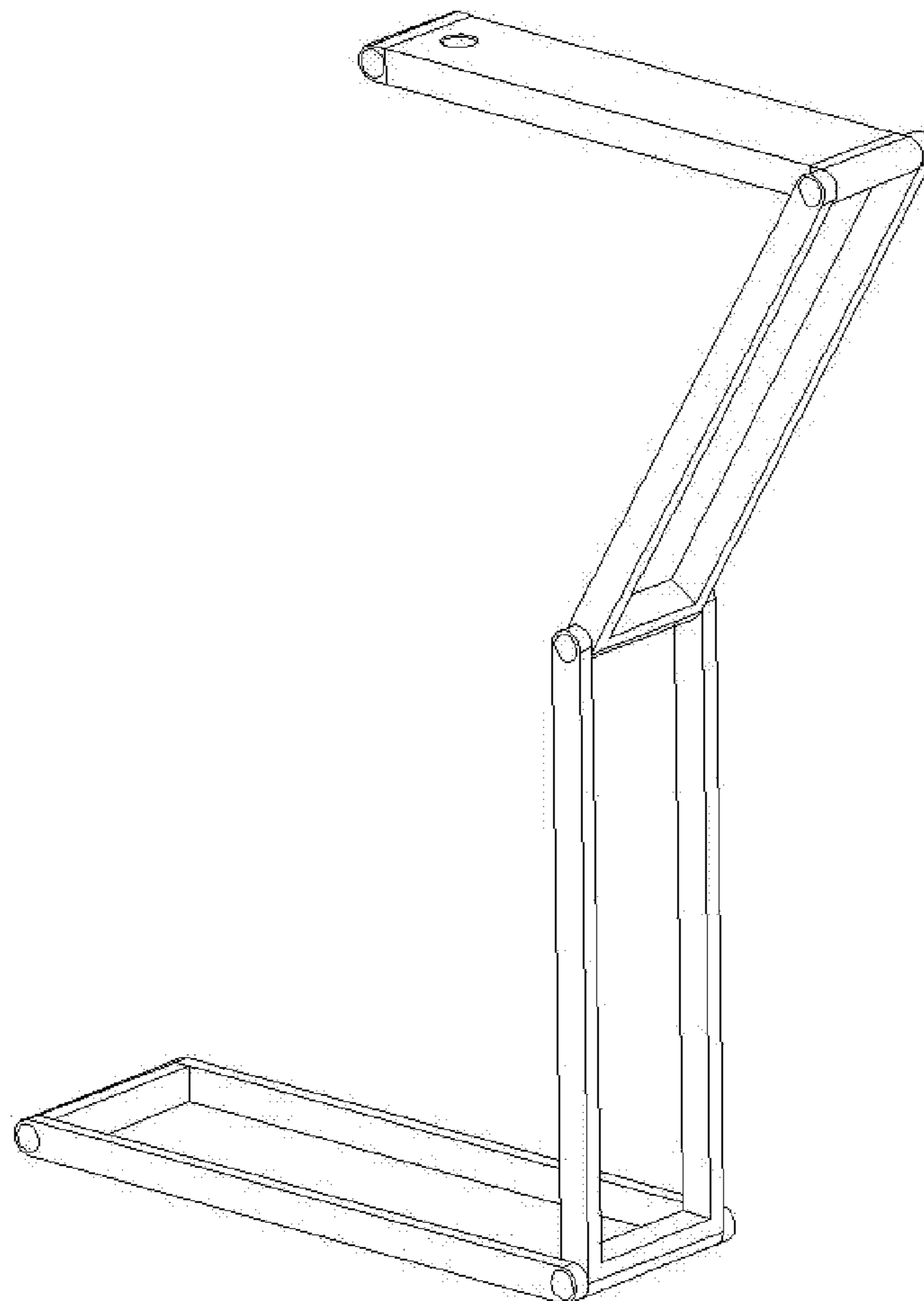
(57) **CLAIM**

The ornamental design for LED desk lamp, as shown and described.

DESCRIPTION

FIG. 1 is a perspective view of a LED desk lamp showing my new design;
FIG. 2 is a front elevational view thereof;
FIG. 3 is a rear elevational view thereof;
FIG. 4 is a right side view thereof;
FIG. 5 is a left side view thereof;
FIG. 6 is a bottom plan view thereof; and,
FIG. 7 is a top plan view thereof.

1 Claim, 7 Drawing Sheets



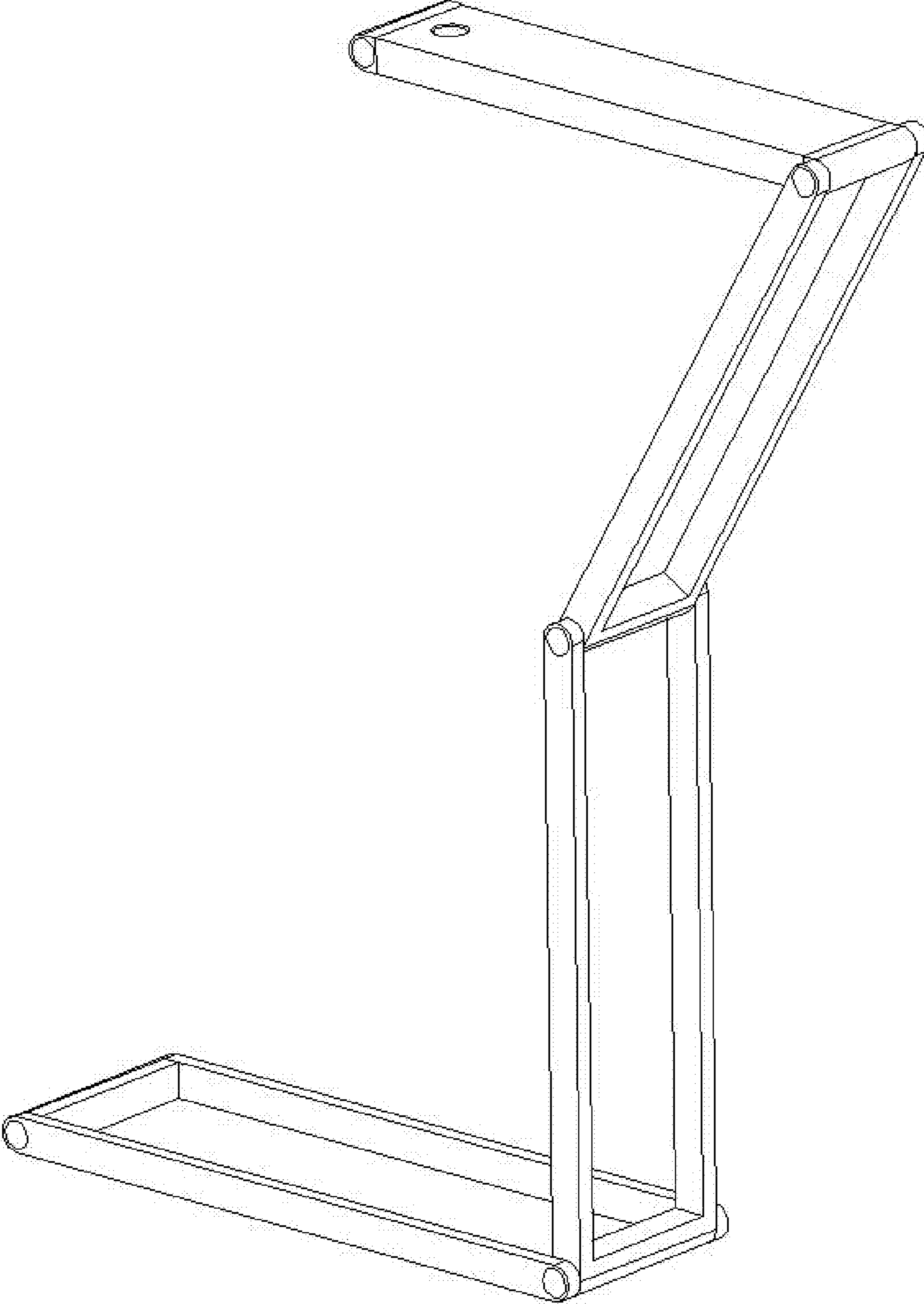


FIG. 1

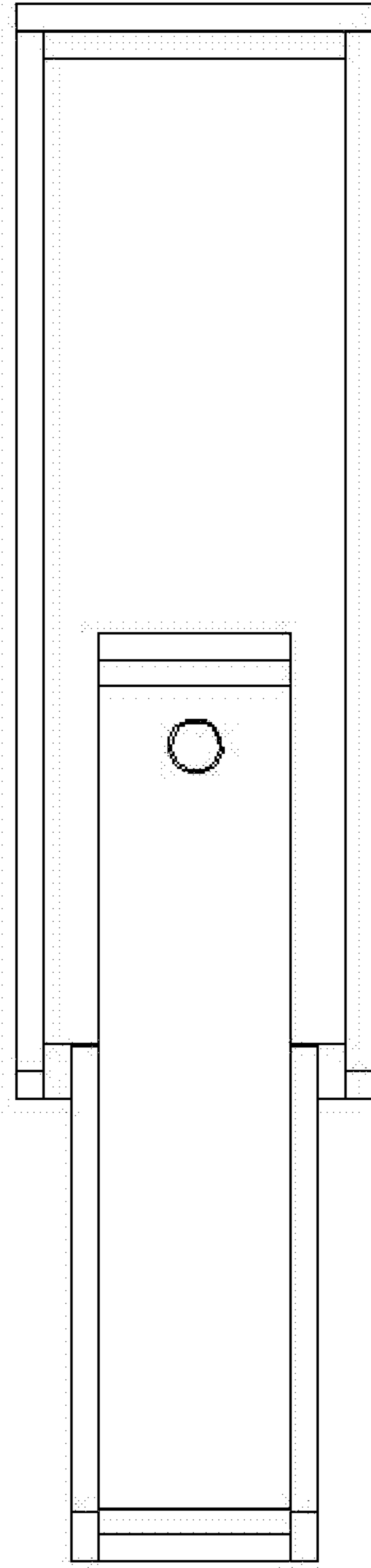


FIG. 2

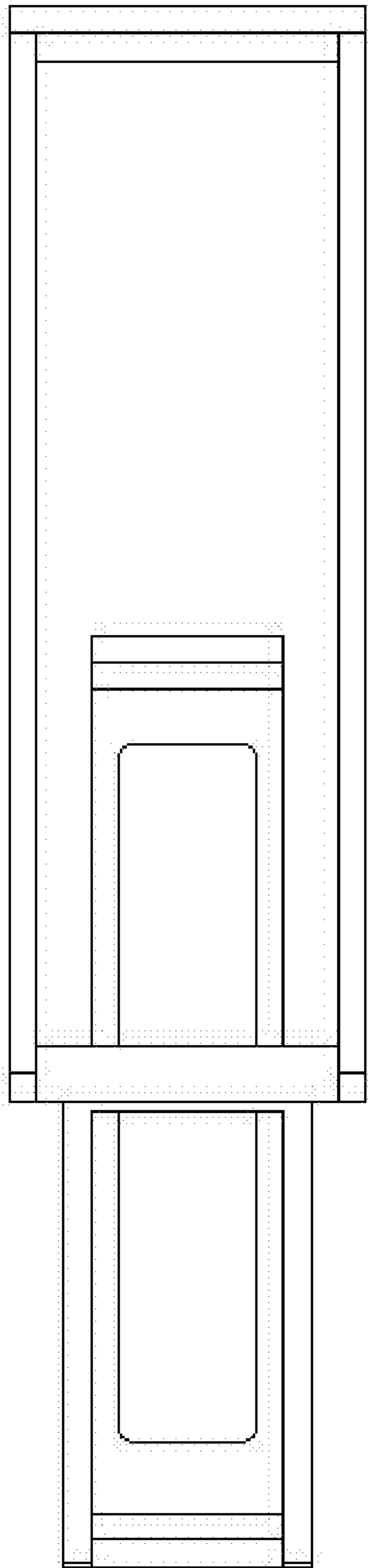


FIG. 3

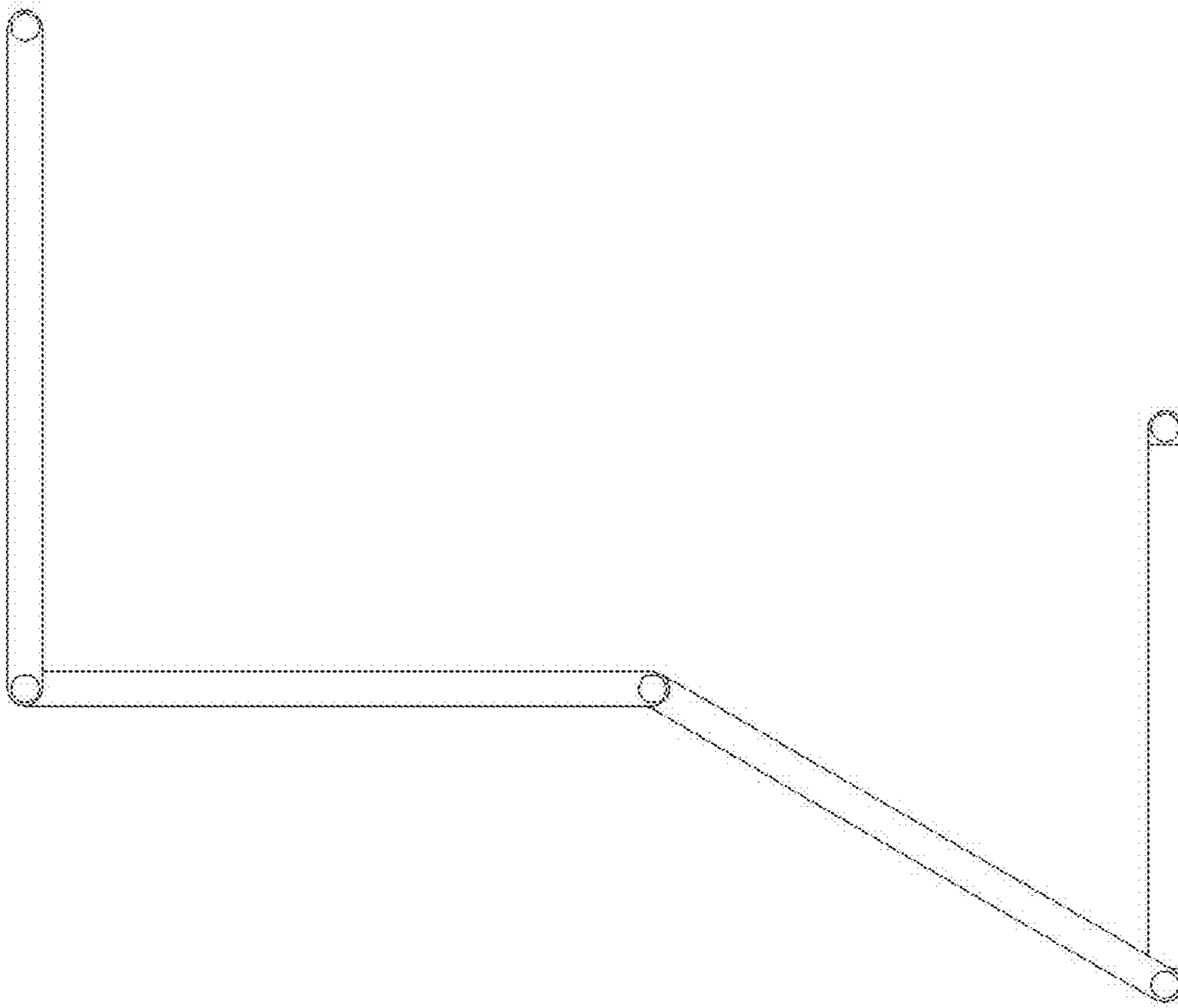


FIG. 4

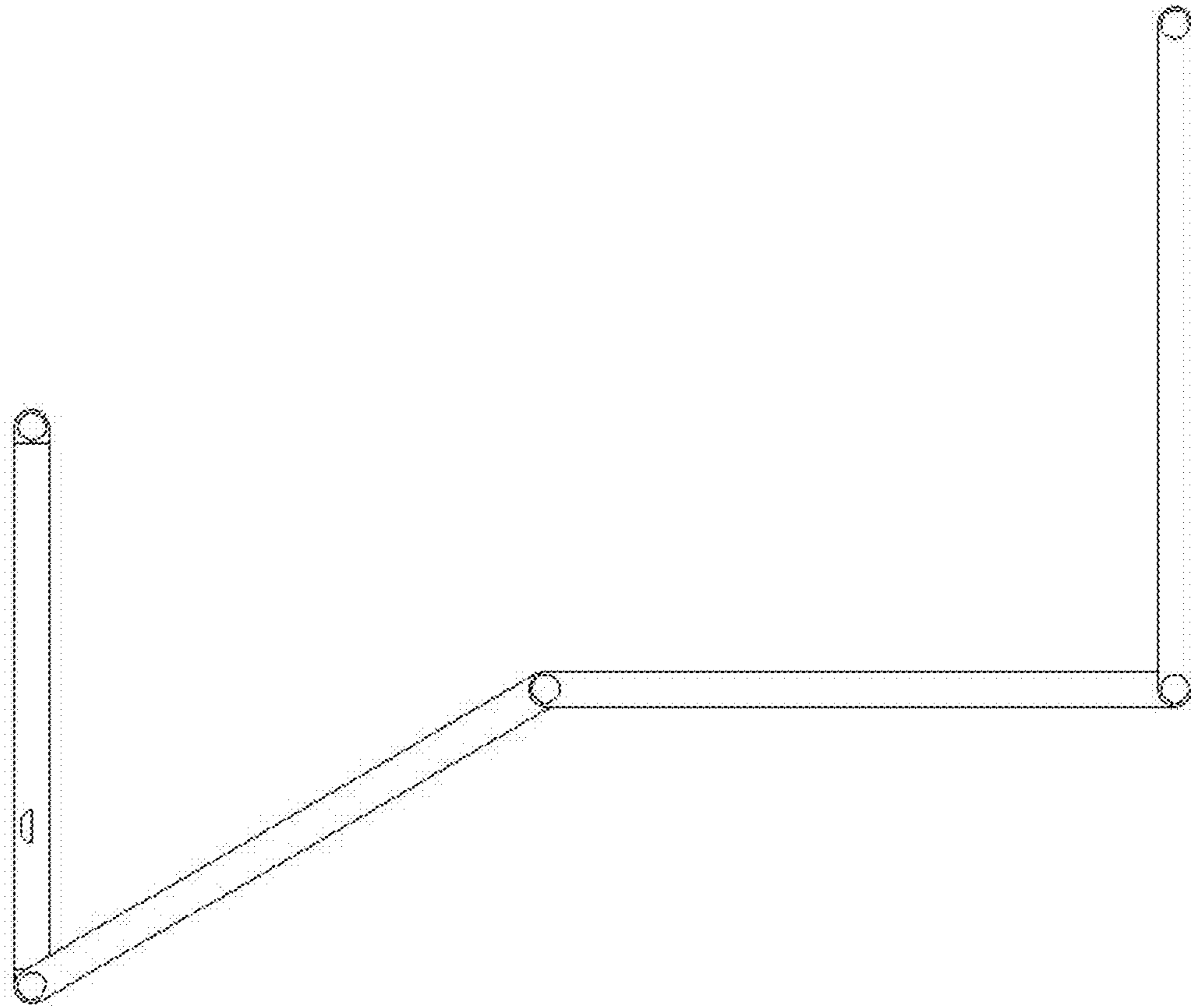


FIG. 5

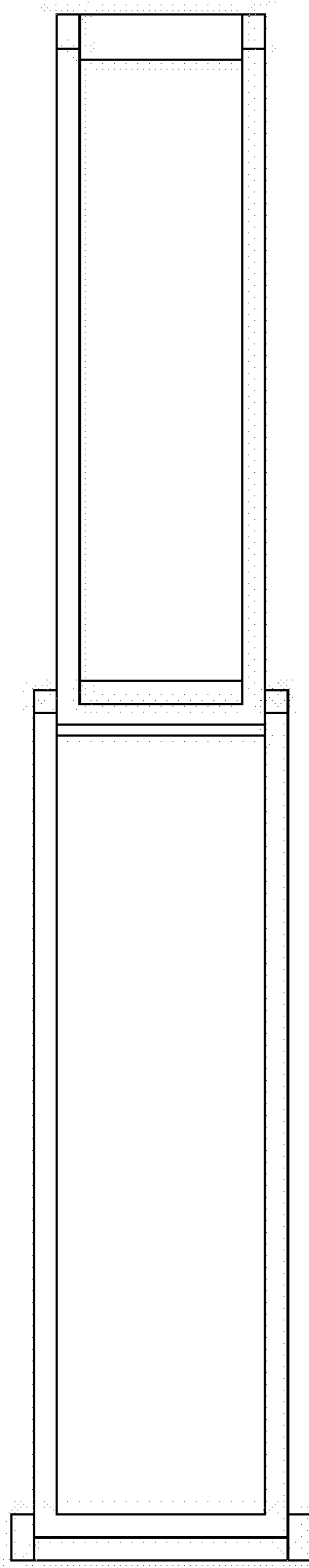


FIG. 6

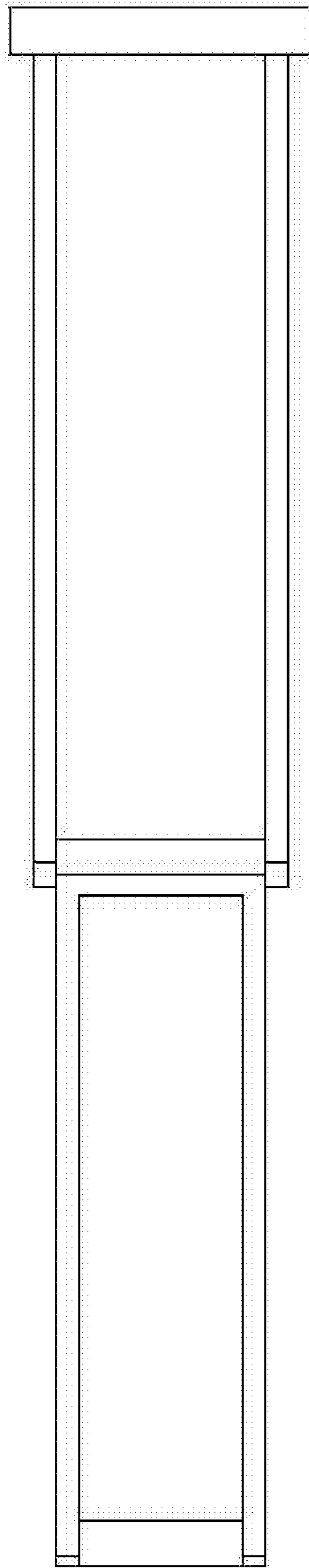


FIG. 7