

US00D797339S

(12) **United States Design Patent**
Wang

(10) **Patent No.:** **US D797,339 S**

(45) **Date of Patent:** **** Sep. 12, 2017**

(54) **LED FLOODLIGHT**

(71) Applicant: **Qiuyan Wang**, Zibo (CN)

(72) Inventor: **Qiuyan Wang**, Zibo (CN)

(73) Assignee: **FORMCEPT TECHNOLOGIES AND SOLUTIONS PRIVATE LIMITED**, Panduranga Nagar, Bangalore (IN)

D570,024 S *	5/2008	Guercio	D26/63
D611,635 S *	3/2010	Gordin	D26/63
7,780,318 B2 *	8/2010	Xiao	F21V 21/30 248/200
D693,501 S *	11/2013	Kochman	D26/63
D747,526 S *	1/2016	Zhang	D26/63
D761,472 S *	7/2016	Zhu	D26/63
D761,473 S *	7/2016	Zhang	D26/63
D762,902 S *	8/2016	Ke	D26/63
D779,097 S *	2/2017	Xu	D26/63

(**) Term: **15 Years**

* cited by examiner

(21) Appl. No.: **29/591,121**

Primary Examiner — Brian N Vinson

(22) Filed: **Jan. 17, 2017**

(74) *Attorney, Agent, or Firm* — Luoh J. Wu; Continent Patent Office LLP

(51) **LOC (10) Cl.** **26-03**

(52) **U.S. Cl.**
USPC **D26/63**

(58) **Field of Classification Search**
USPC D26/1, 24, 61, 63, 65, 85, 92
CPC F21V 21/14; F21V 15/01; F21V 14/02;
F21V 21/30; F21V 21/00; F21V 14/00;
F21S 8/00; F21S 8/003; F21S 8/043;
F21Y 2105/001
See application file for complete search history.

(57) **CLAIM**

The ornamental design for a LED floodlight, as shown and described.

DESCRIPTION

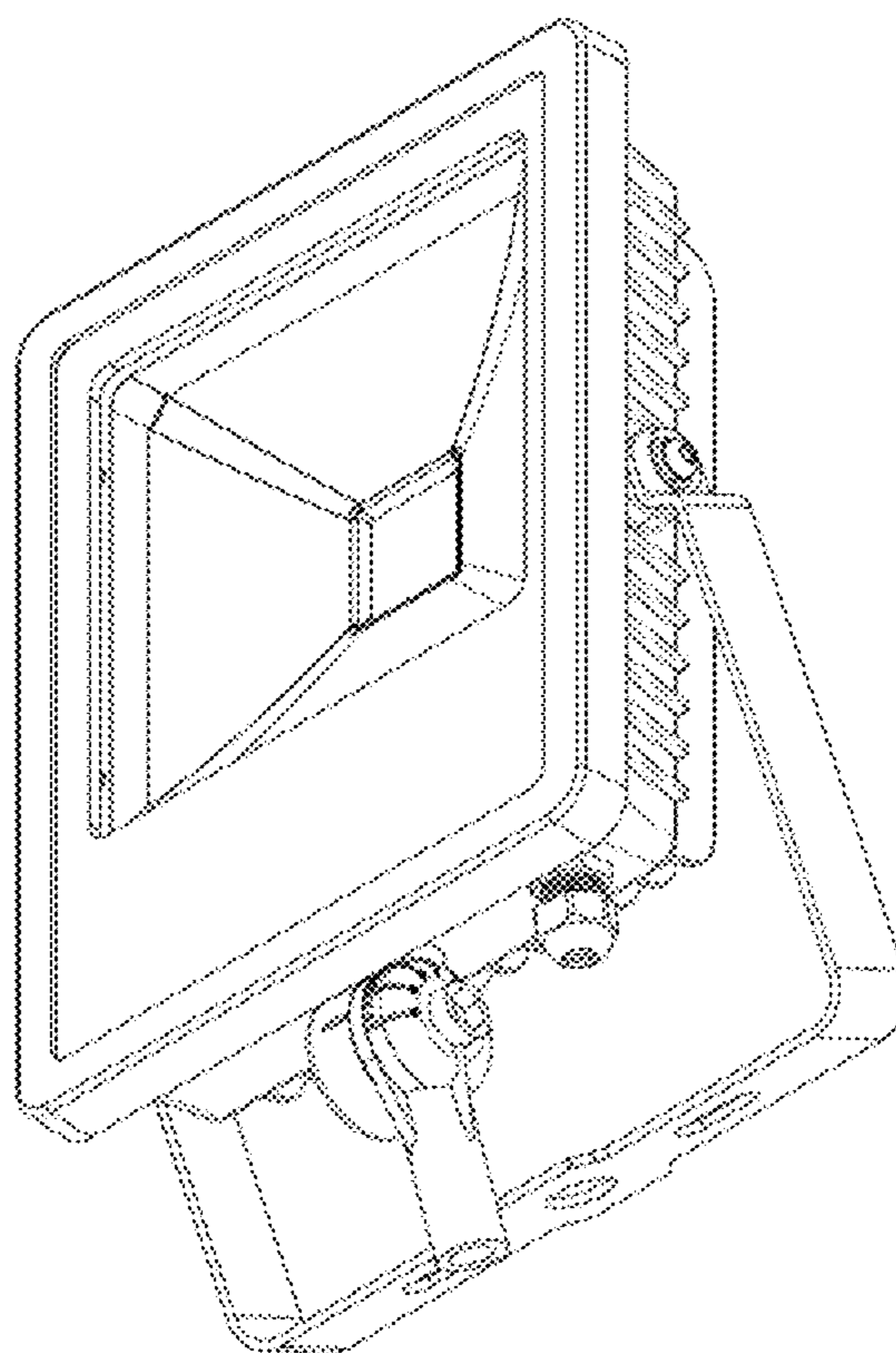
FIG. 1 is a perspective view of the LED floodlight of the design;
FIG. 2 is a front view of the LED floodlight of FIG. 1;
FIG. 3 is a rear view of the LED floodlight of FIG. 1;
FIG. 4 is a left side view of the LED floodlight of FIG. 1;
FIG. 5 is a right side view of the LED floodlight of FIG. 1;
FIG. 6 is a top view of the LED floodlight of FIG. 1; and,
FIG. 7 is a bottom view of the LED floodlight of FIG. 1.

(56) **References Cited**

U.S. PATENT DOCUMENTS

4,323,953 A *	4/1982	Hutchison	F21V 19/04 362/220
D296,829 S *	7/1988	Peppers	D26/63

1 Claim, 7 Drawing Sheets



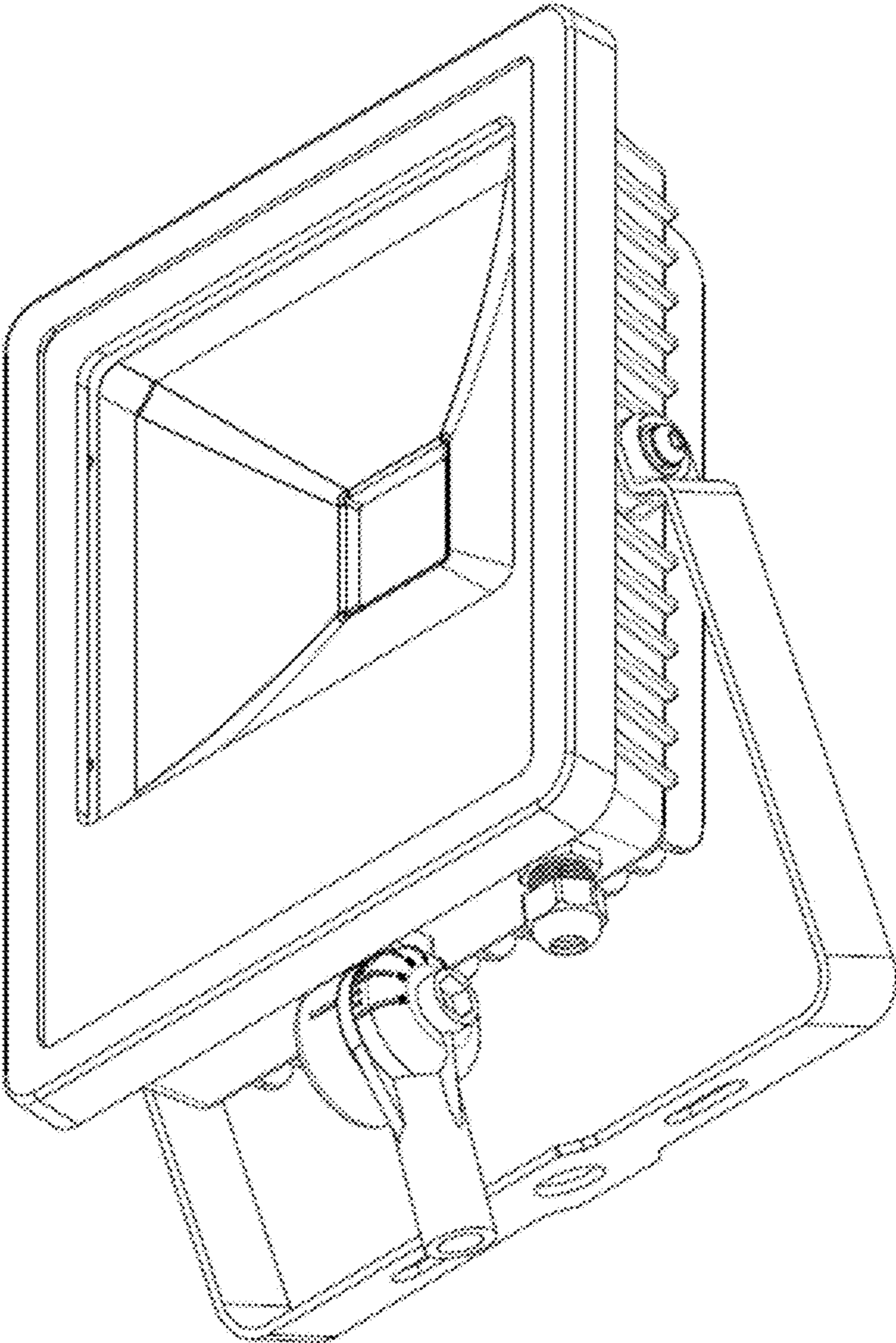


Fig.1

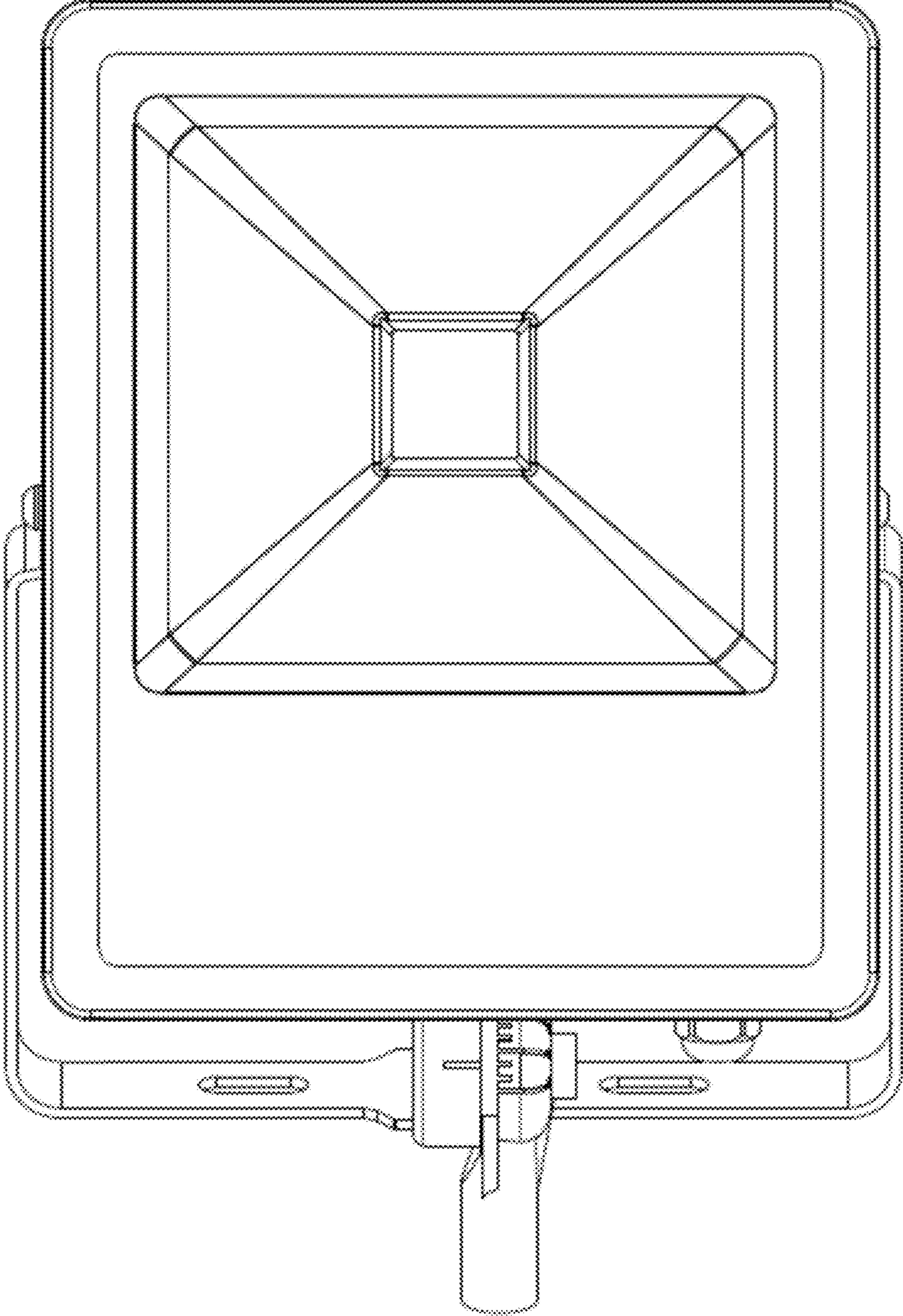


Fig.2

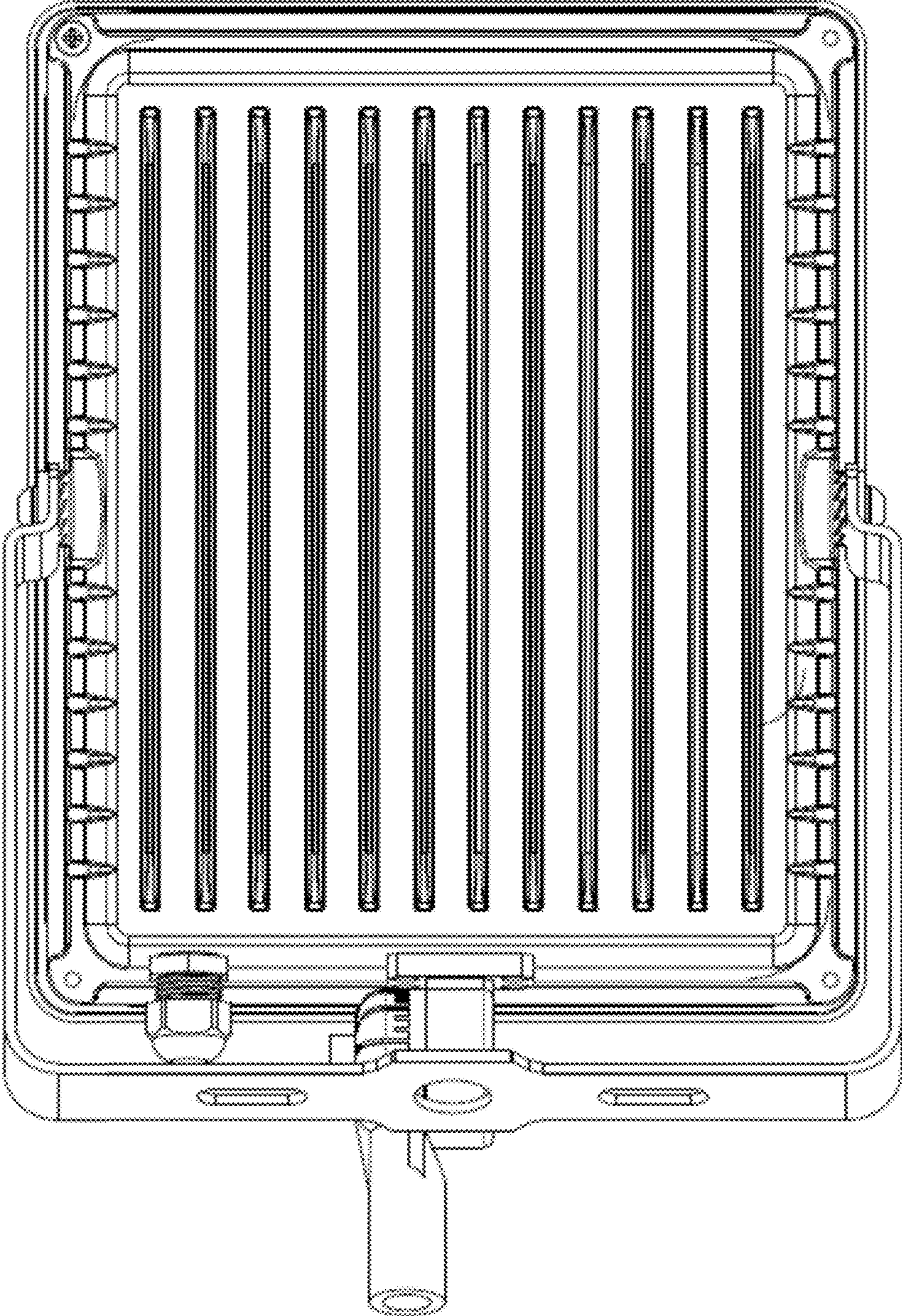


Fig.3

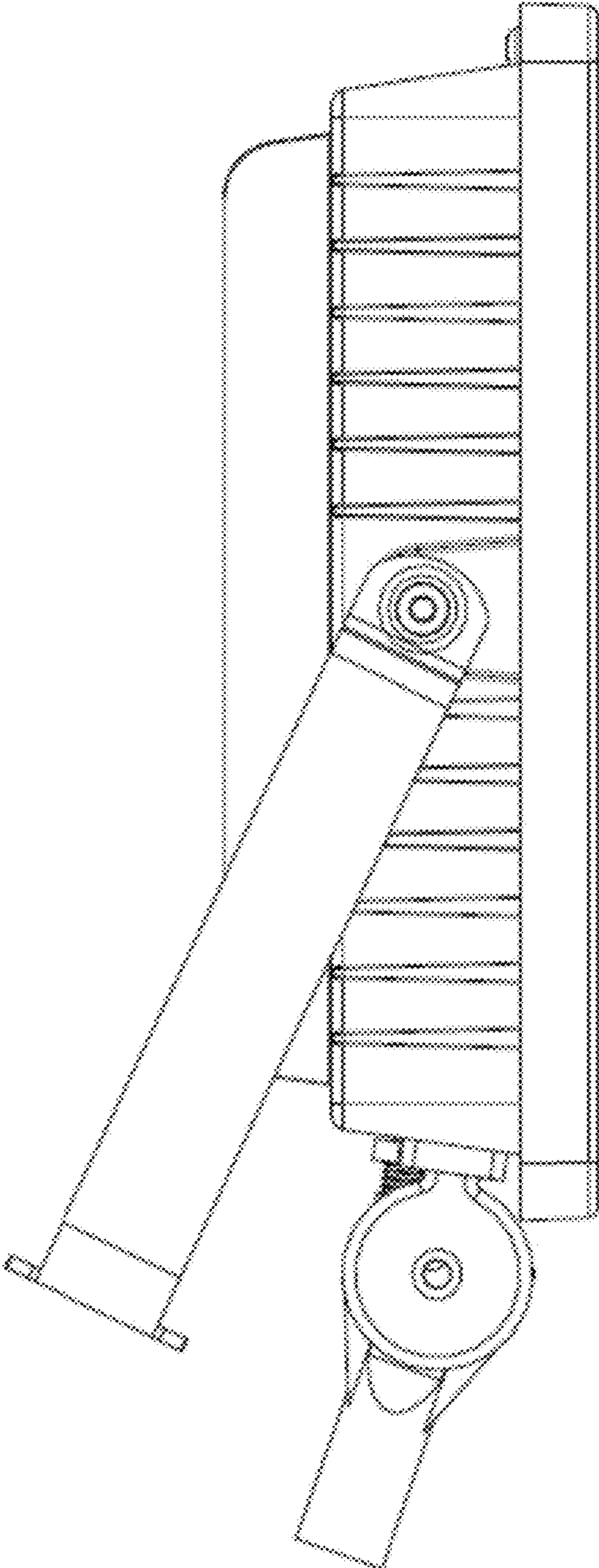


Fig.4

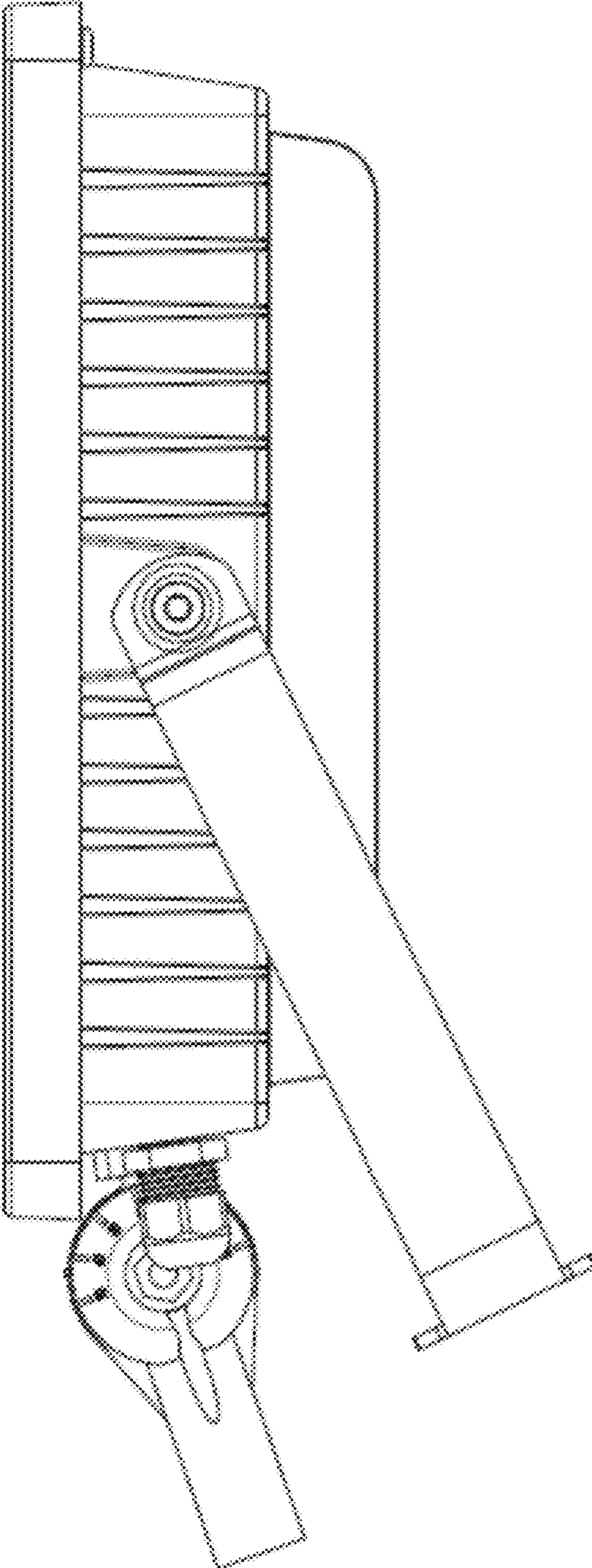


Fig.5

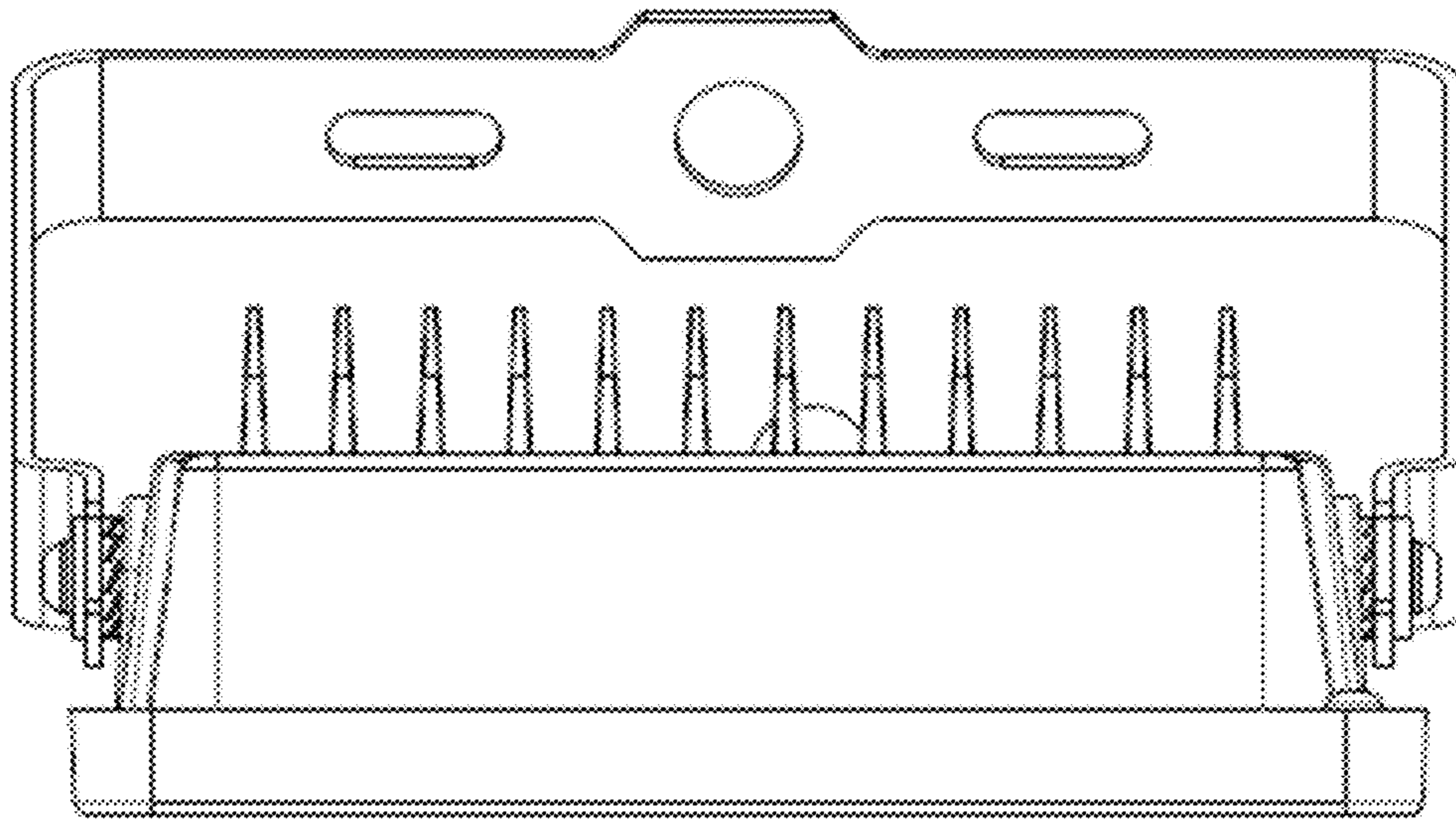


Fig.6

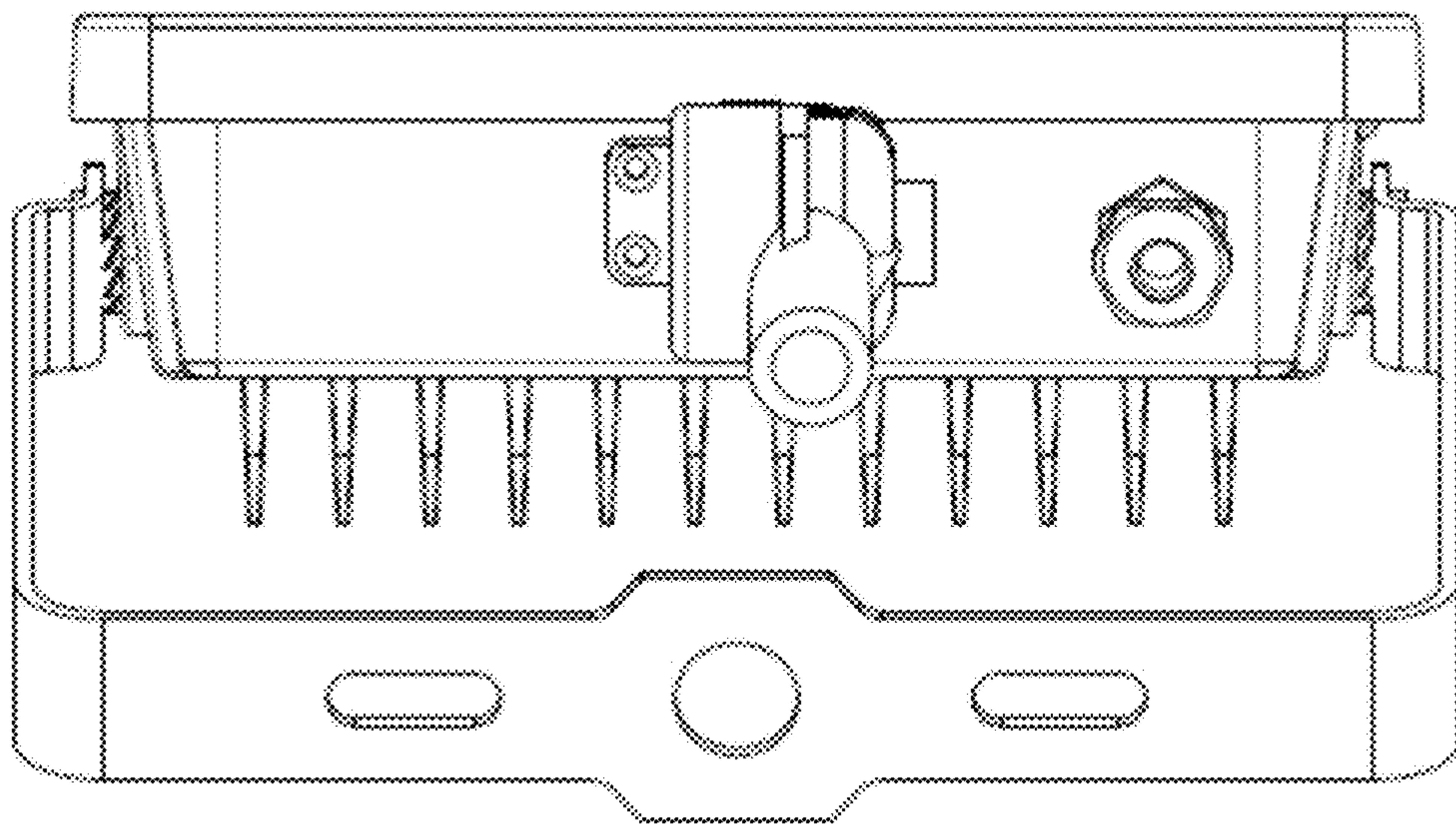


Fig.7

UNITED STATES PATENT AND TRADEMARK OFFICE
CERTIFICATE OF CORRECTION

PATENT NO. : D797,339 S
APPLICATION NO. : 29/591121
DATED : September 12, 2017
INVENTOR(S) : Qiuyan Wang

Page 1 of 1

It is certified that error appears in the above-identified patent and that said Letters Patent is hereby corrected as shown below:

On the Title Page

At Item (73), Assignee: delete recorded assignee data.

Signed and Sealed this
Twenty-fourth Day of October, 2017



Joseph Matal

*Performing the Functions and Duties of the
Under Secretary of Commerce for Intellectual Property and
Director of the United States Patent and Trademark Office*