



US00D797338S

(12) **United States Design Patent**
Wang

(10) **Patent No.:** **US D797,338 S**

(45) **Date of Patent:** **** Sep. 12, 2017**

(54) **LED FLOODLIGHT**

(71) Applicant: **Qiuyan Wang**, Zibo (CN)

(72) Inventor: **Qiuyan Wang**, Zibo (CN)

(73) Assignee: **FORMCEPT TECHNOLOGIES AND SOLUTIONS PRIVATE LIMITED**, Bangalore (IN)

(**) Term: **15 Years**

(21) Appl. No.: **29/591,118**

(22) Filed: **Jan. 17, 2017**

(51) **LOC (10) Cl.** **26-03**

(52) **U.S. Cl.**
USPC **D26/63**

(58) **Field of Classification Search**
USPC D26/1, 24, 61, 63, 65, 85, 92
CPC F21V 21/14; F21V 15/01; F21V 14/02;
F21V 21/30; F21V 21/00; F21V 14/00;
F21S 8/00; F21S 8/003; F21S 8/043;
F21Y 2105/001

See application file for complete search history.

(56) **References Cited**

U.S. PATENT DOCUMENTS

4,323,953 A * 4/1982 Hutchison F21V 19/04
362/220
D296,829 S * 7/1988 Peppers D26/63

D570,024 S * 5/2008 Guercio D26/63
D611,635 S * 3/2010 Gordin D26/63
7,780,318 B2 * 8/2010 Xiao F21V 21/30
248/200
D693,501 S * 11/2013 Kochman D26/63
D747,526 S * 1/2016 Zhang D26/63
D761,472 S * 7/2016 Zhu D26/63
D761,473 S * 7/2016 Zhang D26/63
D762,902 S * 8/2016 Ke D26/63
D779,097 S * 2/2017 Xu D26/63

* cited by examiner

Primary Examiner — Brian N Vinson

(74) *Attorney, Agent, or Firm* — Luoh J. Wu; Continent Patent Office LLP

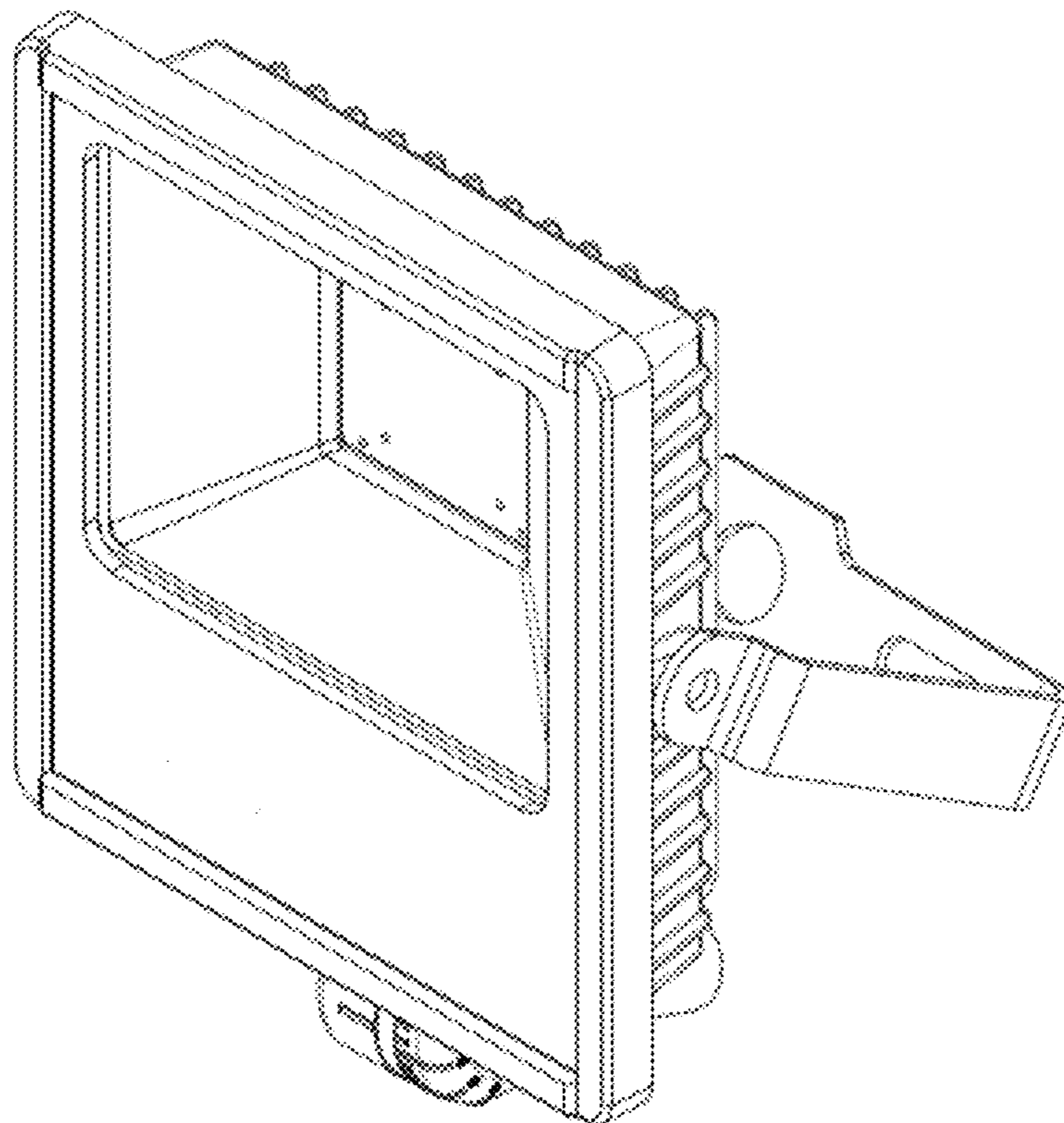
(57) **CLAIM**

The ornamental design for a LED floodlight, as shown and described.

DESCRIPTION

FIG. 1 is a perspective view of the LED floodlight of the design;
FIG. 2 is a front view of the LED floodlight of FIG. 1;
FIG. 3 is a rear view of the LED floodlight of FIG. 1;
FIG. 4 is a left side view of the LED floodlight of FIG. 1;
FIG. 5 is a right side view of the LED floodlight of FIG. 1;
FIG. 6 is a top view of the LED floodlight of FIG. 1; and,
FIG. 7 is a bottom view of the LED floodlight of FIG. 1.

1 Claim, 7 Drawing Sheets



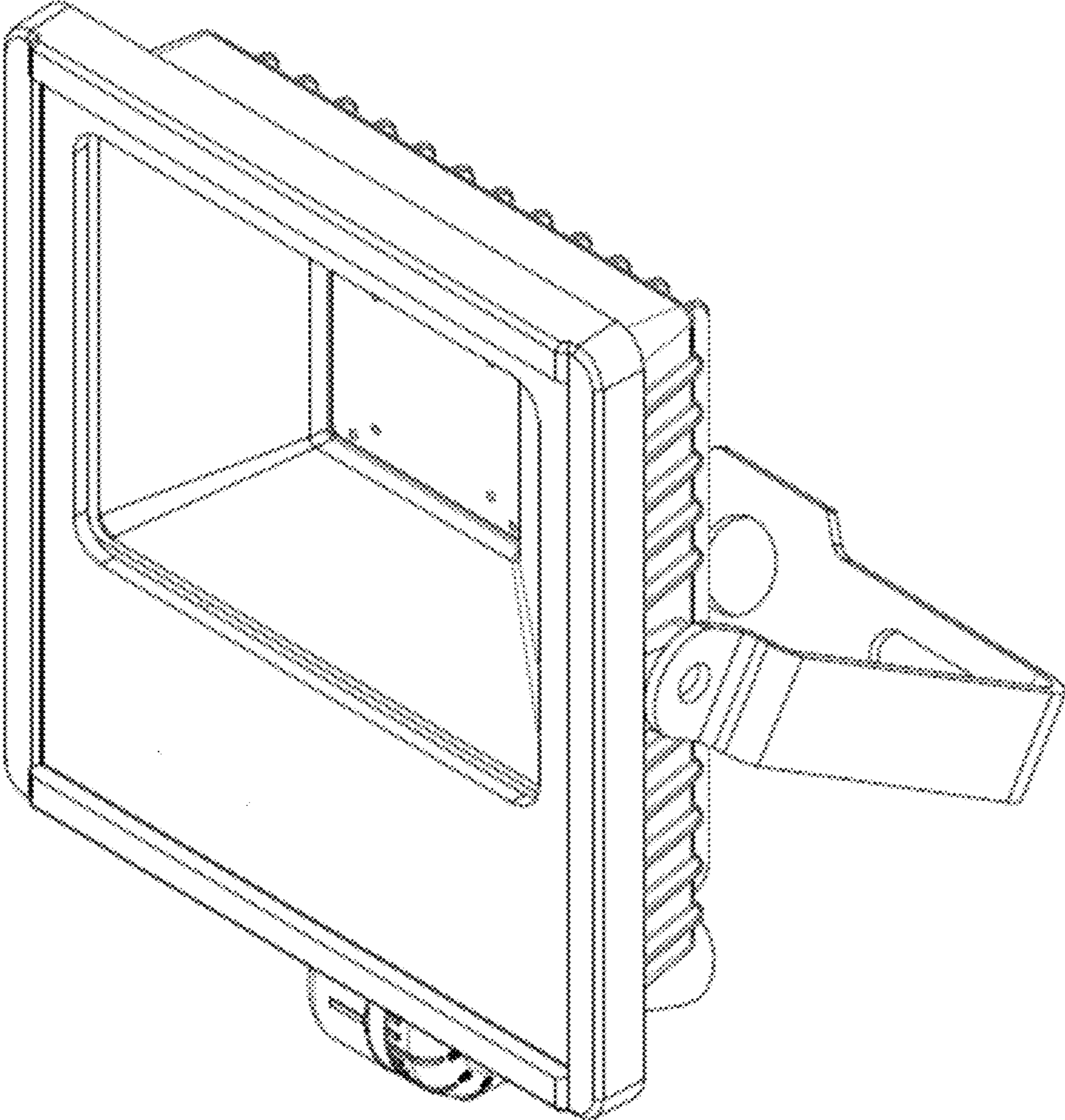


Fig.1

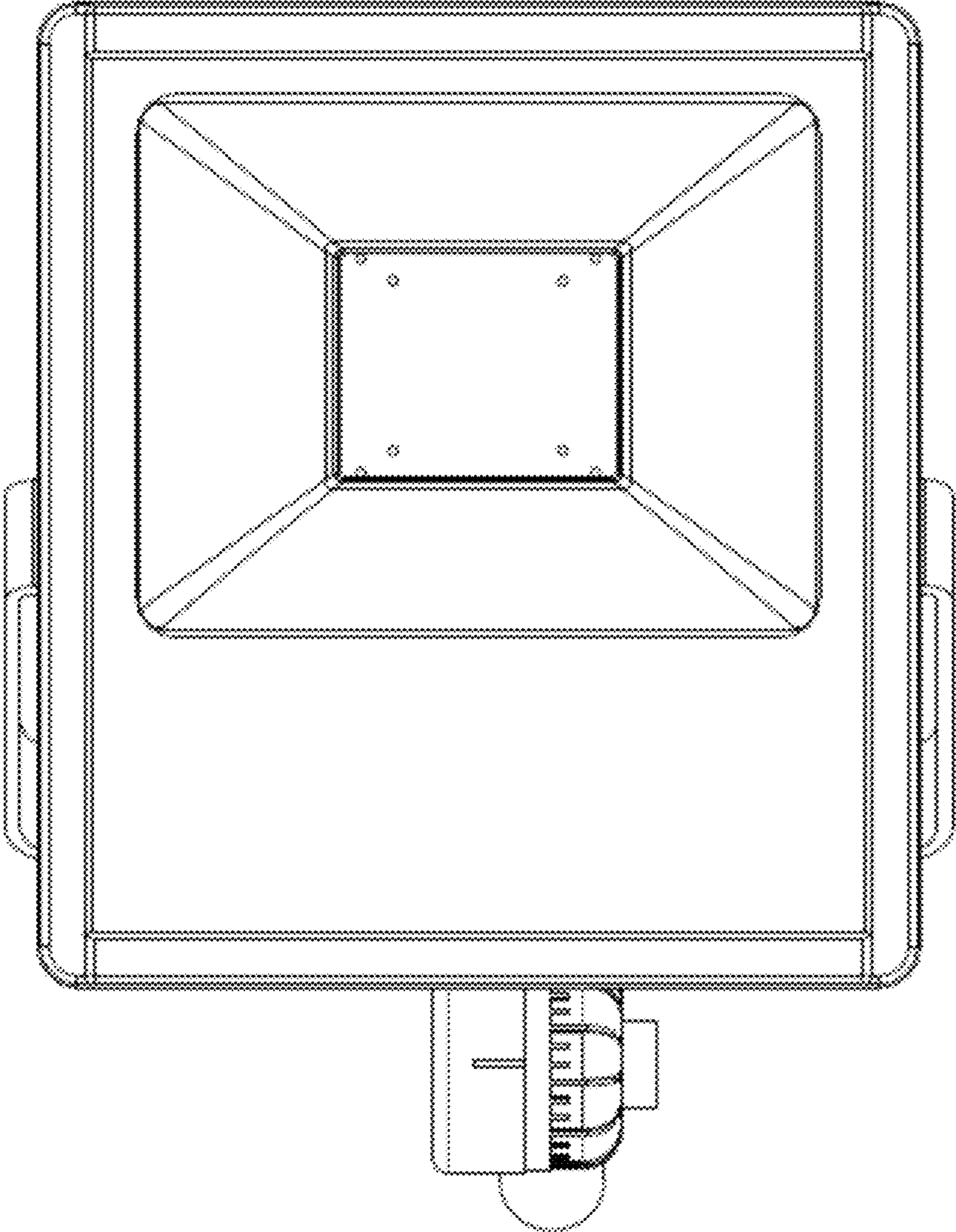


Fig.2

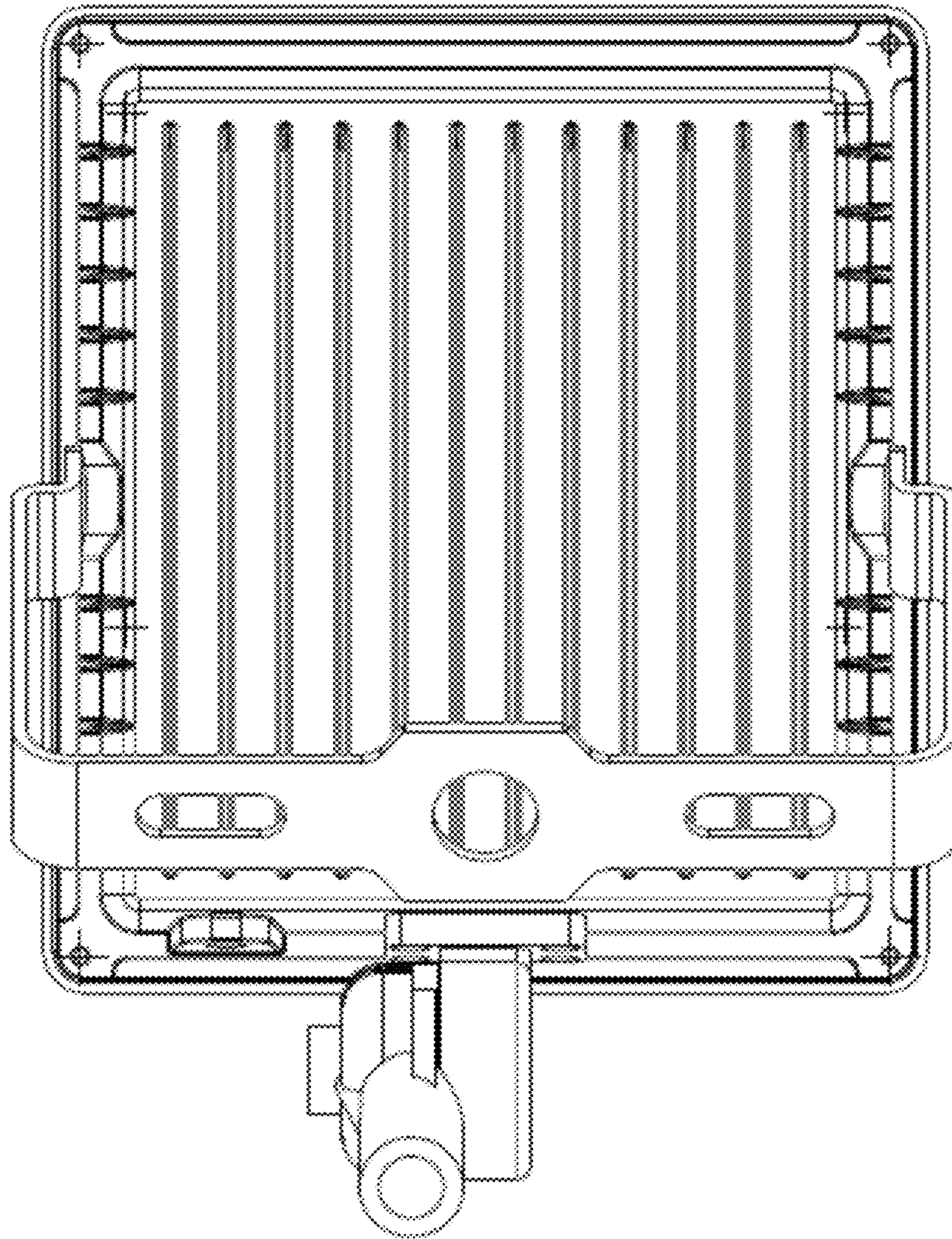


Fig.3

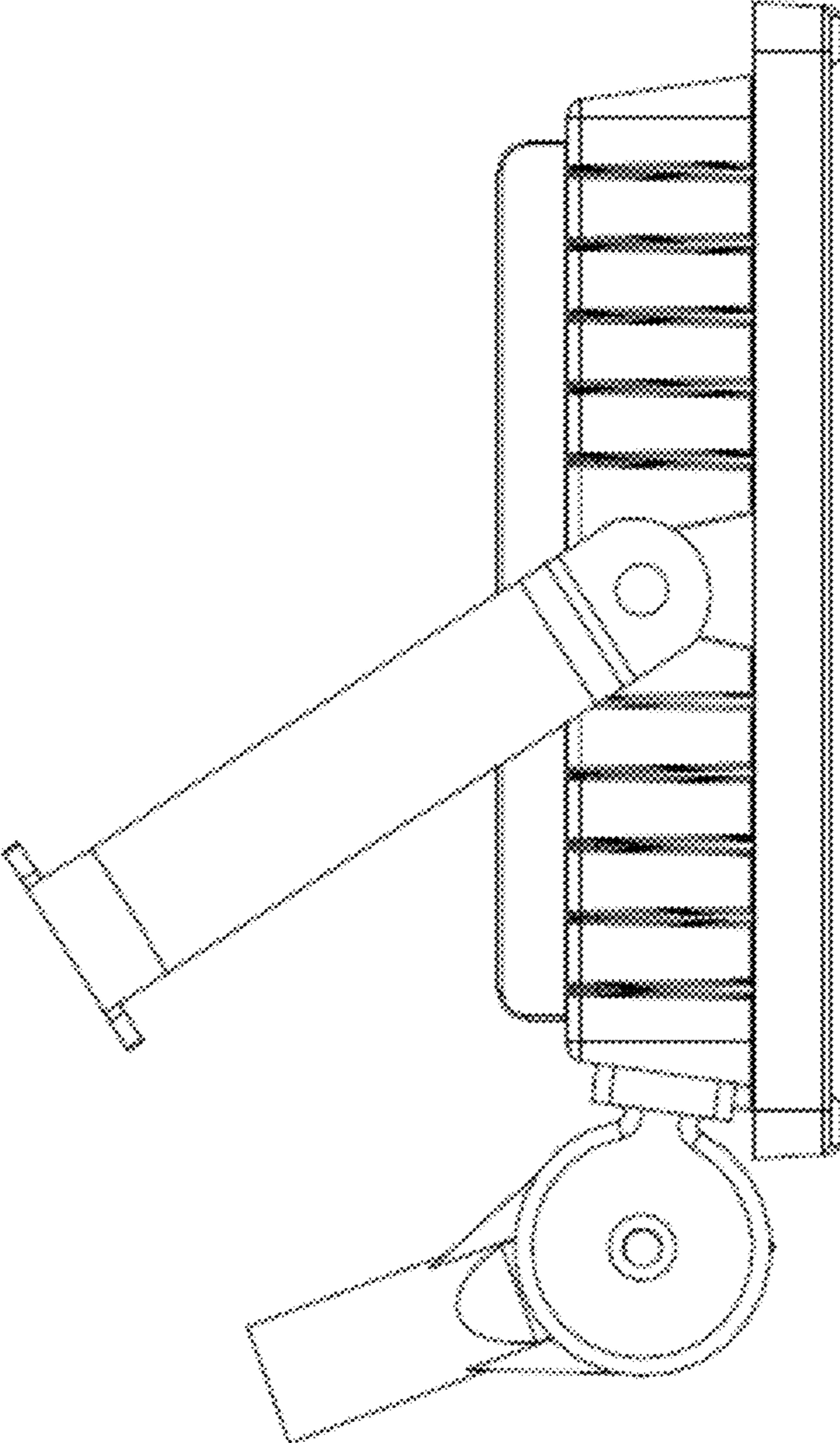


Fig.4

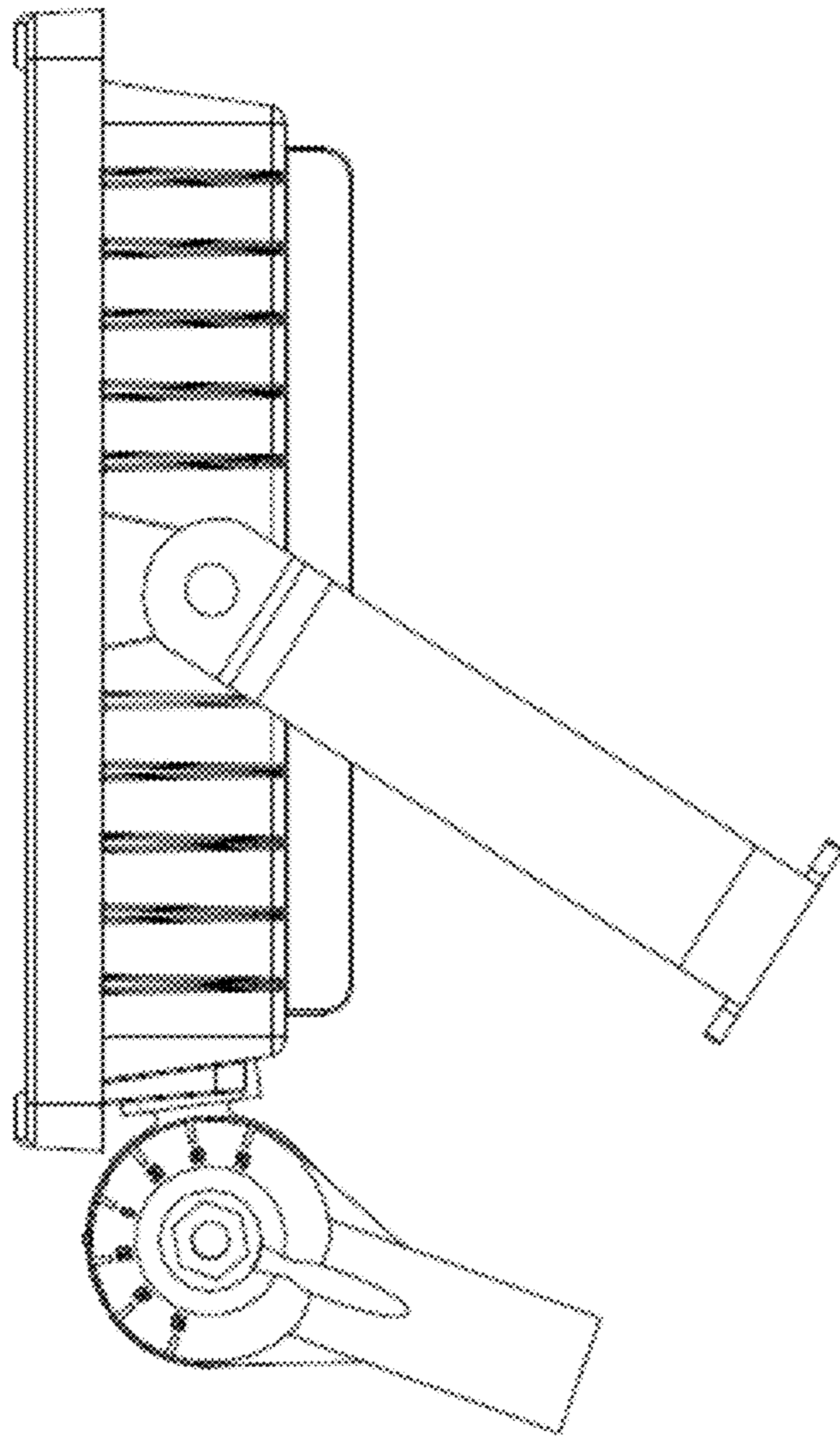


Fig.5

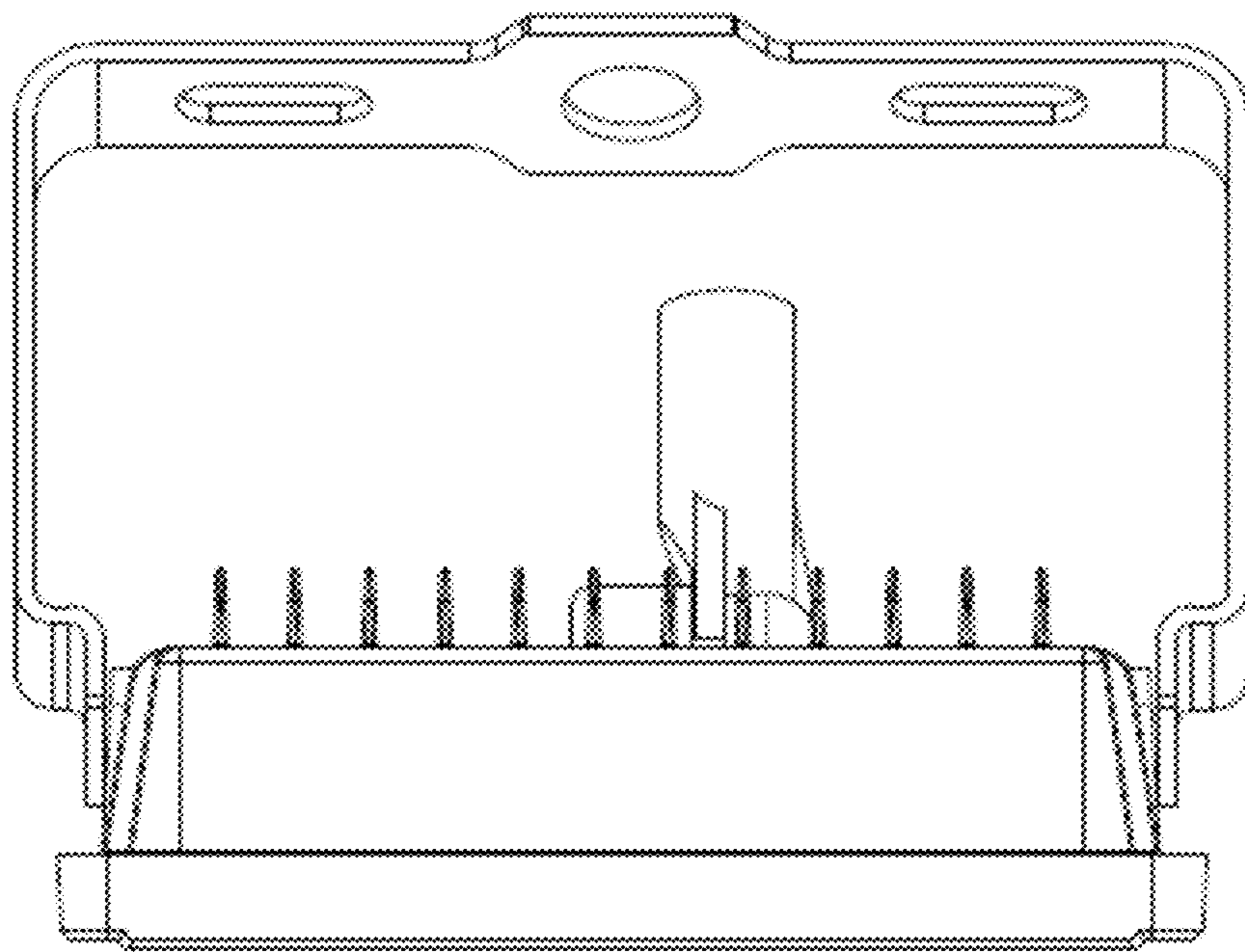


Fig.6

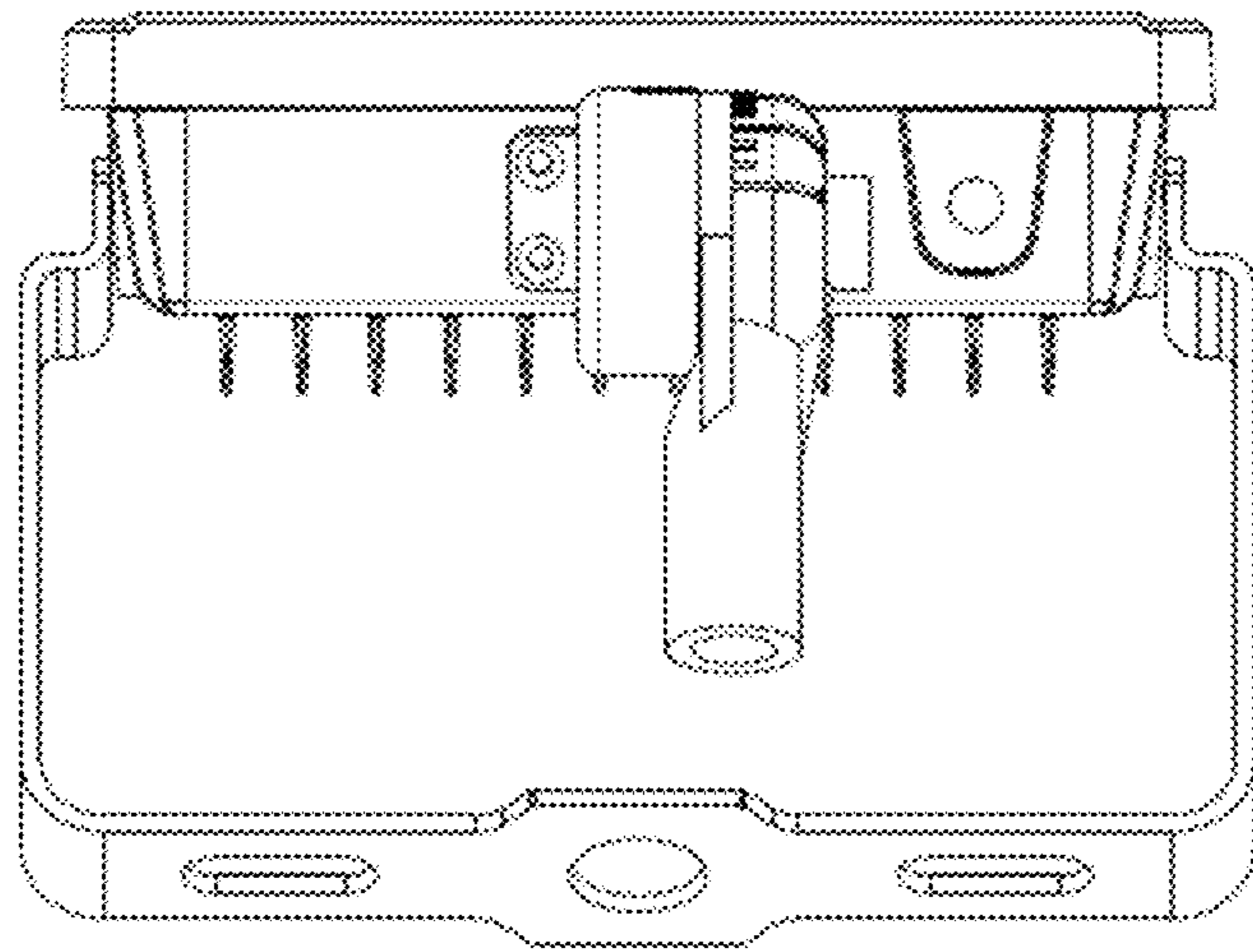


Fig.7

UNITED STATES PATENT AND TRADEMARK OFFICE
CERTIFICATE OF CORRECTION

PATENT NO. : D797,338 S
APPLICATION NO. : 29/591118
DATED : September 12, 2017
INVENTOR(S) : Wang

Page 1 of 1

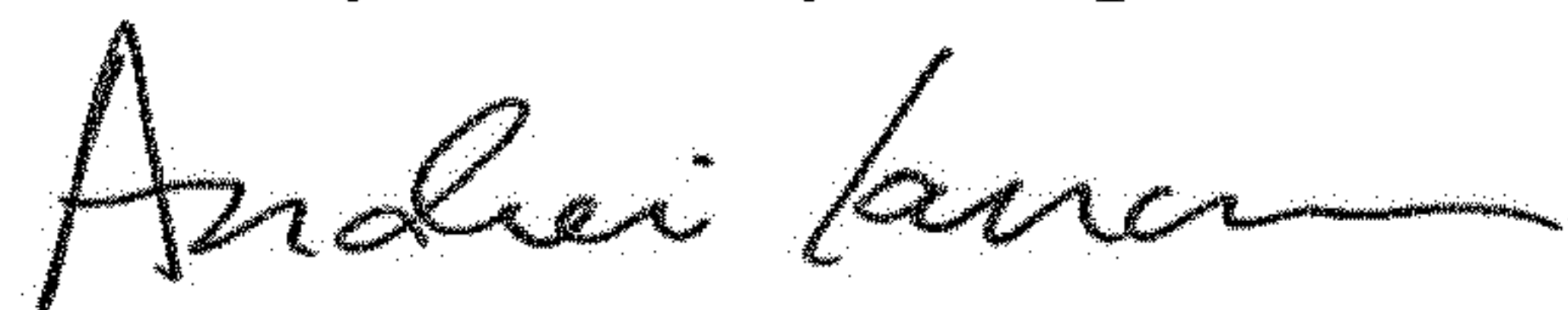
It is certified that error appears in the above-identified patent and that said Letters Patent is hereby corrected as shown below:

On the Title Page

Item (73), please delete, Assignee:

“FORMCEPT TECHNOLOGIES AND SOLUTIONS PRIVATE LIMITED (Bangalore, IN)”

Signed and Sealed this
Twenty-first Day of April, 2020



Andrei Iancu
Director of the United States Patent and Trademark Office