



US00D797335S

(12) **United States Design Patent** (10) **Patent No.:** **US D797,335 S**
Brown et al. (45) **Date of Patent:** **** Sep. 12, 2017**

(54) **FLASHLIGHT**
(71) Applicant: **Energizer Brands, LLC**, Saint Louis, MO (US)
(72) Inventors: **John Robert Brown**, Sydney (AU); **William R. Narpes**, North Ridgeville, OH (US)
(73) Assignee: **Energizer Brands, LLC**, St. Louis, MO (US)
(**) Term: **15 Years**
(21) Appl. No.: **29/547,297**
(22) Filed: **Dec. 2, 2015**
(51) **LOC (10) Cl.** **26-02**
(52) **U.S. Cl.**
USPC **D26/48; D26/37**
(58) **Field of Classification Search**
USPC D26/37, 38, 42, 46, 50, 362, 48, 41, 45;
362/202, 208, 800, 203; D15/9
CPC F21Y 2101/00; F21K 9/00; F21L 7/00;
F21L 21/00; F21L 2/00; F21L 17/00
See application file for complete search history.

(56) **References Cited**

U.S. PATENT DOCUMENTS

D280,936 S * 10/1985 Dinsmore D26/48
D287,293 S * 12/1986 Wang 417/313
D291,838 S * 9/1987 Tung D26/48
D292,321 S * 10/1987 Liu D26/48
D351,478 S * 10/1994 Welton D26/48
D351,673 S * 10/1994 Fenne D26/48
D356,650 S * 3/1995 Petterson D26/48
D394,322 S * 5/1998 Dalton D26/48
D407,413 S * 3/1999 Wang D15/9
D428,176 S * 7/2000 Bamber D26/46
D434,423 S * 11/2000 Wang D15/9
D445,935 S * 7/2001 Shing D26/50
D452,022 S * 12/2001 Osiecki D26/48
D476,104 S * 6/2003 Dalton D26/48

6,629,767 B2 * 10/2003 Osiecki F21L 4/00
362/194
D485,628 S * 1/2004 Yuen D26/37
D486,257 S * 2/2004 Kingston D26/42
D487,162 S * 2/2004 Lap Hon D26/37
D506,847 S * 6/2005 Hussaini D26/46
(Continued)

FOREIGN PATENT DOCUMENTS

AU WO 2004088204 A1 * 10/2004 F21L 4/08

OTHER PUBLICATIONS

NPL #1: Dolphin Eveready LED Lantern, posted at facebook.com/DolphinAustralia, posting date Oct. 29, 2014, © 2016 Facebook, [online], [site visited Sep. 28, 2016]. Available from Internet, <URL: https://www.facebook.com/DolphinAustralia/photos/a.572970036065385.137627.566073066755082/914460221916363/?type=3&theater.*>
(Continued)

Primary Examiner — Lakiya Rogers
Assistant Examiner — Altaira Swangin
(74) *Attorney, Agent, or Firm* — Alston & Bird LLP

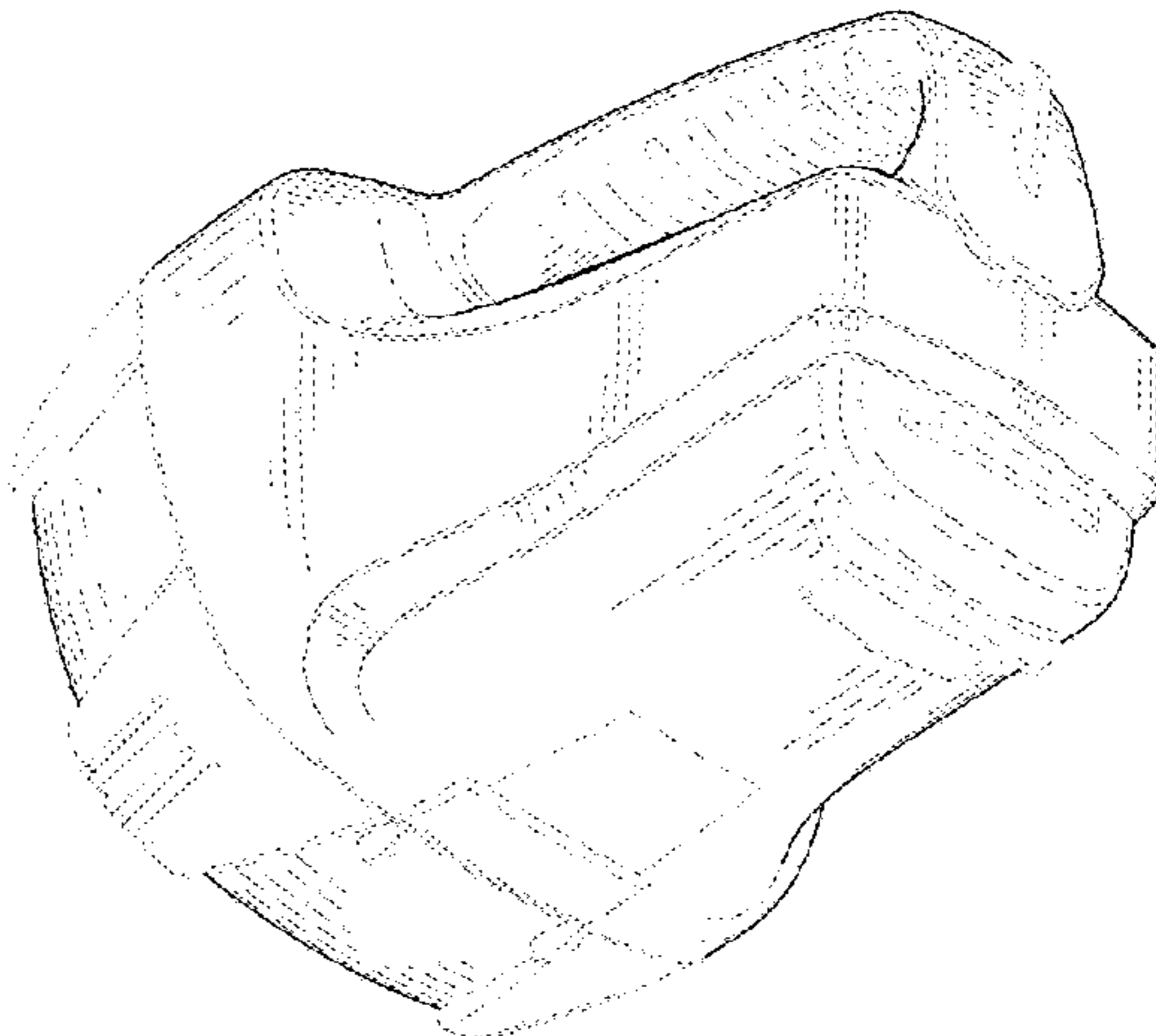
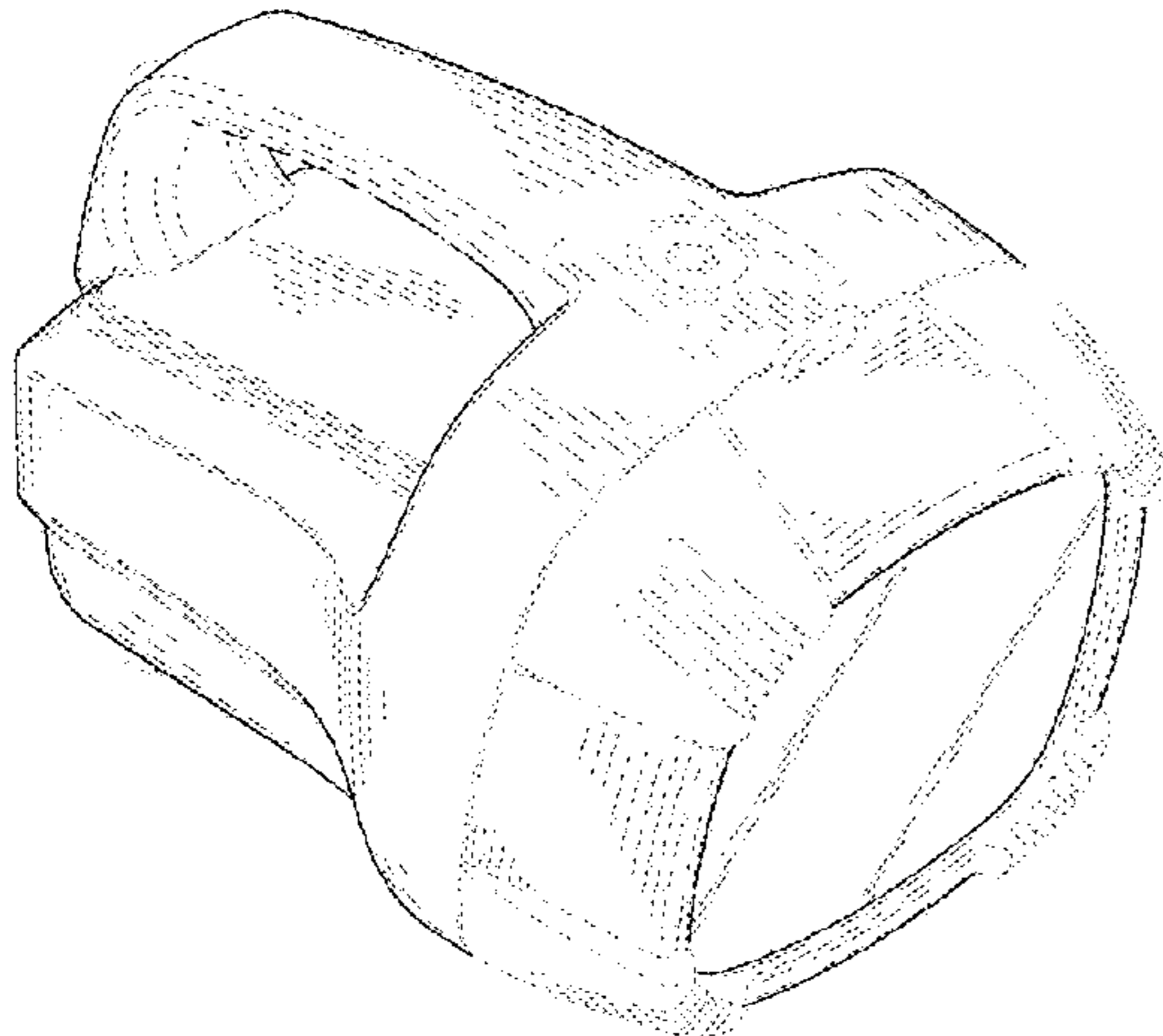
(57) **CLAIM**

The ornamental design for a flashlight, as shown and described.

DESCRIPTION

FIG. 1 is a front perspective view of the design; FIG. 2 is a rear perspective view of the design; FIG. 3 is a side view of the design; FIG. 4 is a side view of the design; FIG. 5 is a front view of the design; FIG. 6 is a rear view of the design; FIG. 7 is a top view of the design; and, FIG. 8 is a bottom view of the design. The broken lines shown represent unclaimed portions of the article and form no part of the claimed design.

1 Claim, 6 Drawing Sheets



(56)

References Cited

U.S. PATENT DOCUMENTS

D520,161 S * 5/2006 Krieger D26/37
 D529,926 S * 10/2006 Krieger D15/9
 D531,336 S * 10/2006 Yuen D26/46
 D544,122 S * 6/2007 Yuen D26/46
 D553,281 S * 10/2007 Rugendyke D26/46
 D569,022 S * 5/2008 Lin D26/46
 7,393,117 B2 * 7/2008 Dalton F21L 4/08
 362/157
 D599,924 S * 9/2009 Schoch D26/44
 D611,631 S * 3/2010 Hsu D26/40
 D623,784 S * 9/2010 Yamamoto D26/45
 D650,934 S * 12/2011 Yuen D26/41
 D657,901 S * 4/2012 Cheung Shing Hei D26/45
 D702,863 S * 4/2014 Kotsis D26/37
 D703,354 S * 4/2014 Kotsis D26/37
 D703,355 S * 4/2014 Kotsis D26/37
 D707,867 S * 6/2014 Kotsis D26/39
 D713,078 S * 9/2014 Shen D26/41
 D742,570 S * 11/2015 Brown D26/46
 D748,308 S * 1/2016 Zhang D26/37

D752,793 S * 3/2016 Ng D26/48
 D774,674 S * 12/2016 Hanwell D26/50
 2003/0039118 A1 * 2/2003 Osiecki F21L 4/00
 362/208

OTHER PUBLICATIONS

NPL #2: Dolphin Eveready LED Lantern torch, posted at boatpoint.com/au, posting date Sep. 23, 2013, © 1999-2016 carsales.com Limited, [online], [site visited Sep. 28, 2016]. Available from Internet, <URL: <http://www.boatpoint.com.au/editorial/news/2013/brightest-eveready-dolphin-ever-38985>>.*

NPL #3: Dolphin Eveready LED Lantern, posted at youtube.com, posting date Aug. 26, 2013 by Dolphin Australia, © Standard YouTube License, [online], [site visited Sep. 28, 2016]. Available from Internet, <URL: <https://www.youtube.com/watch?v=Mthoa4eNWX4>>.*
http://www.bunnings.com.au/eiger-3w-cree-led-waterproof-tank-spotlight-_p4410551.

* cited by examiner

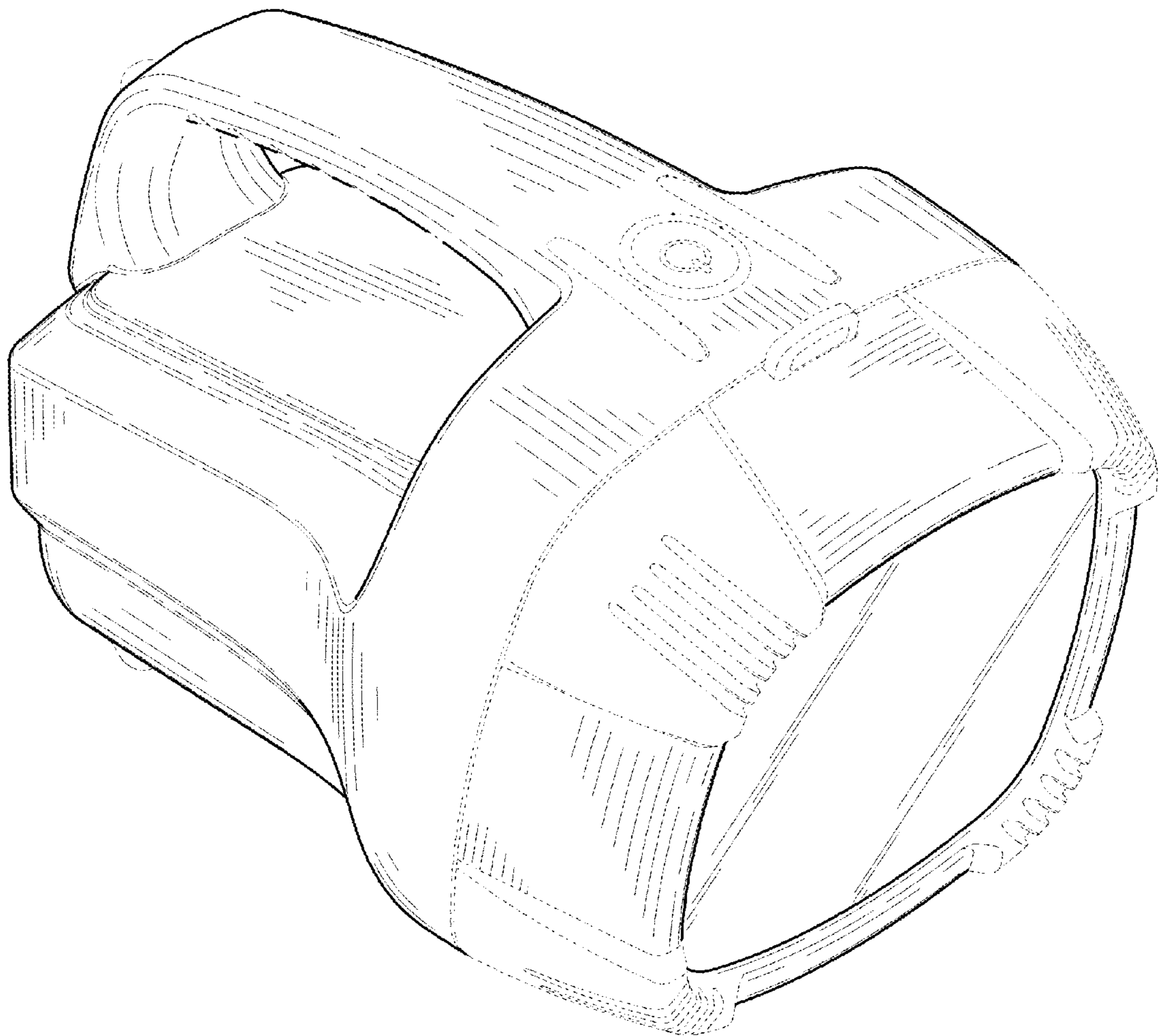
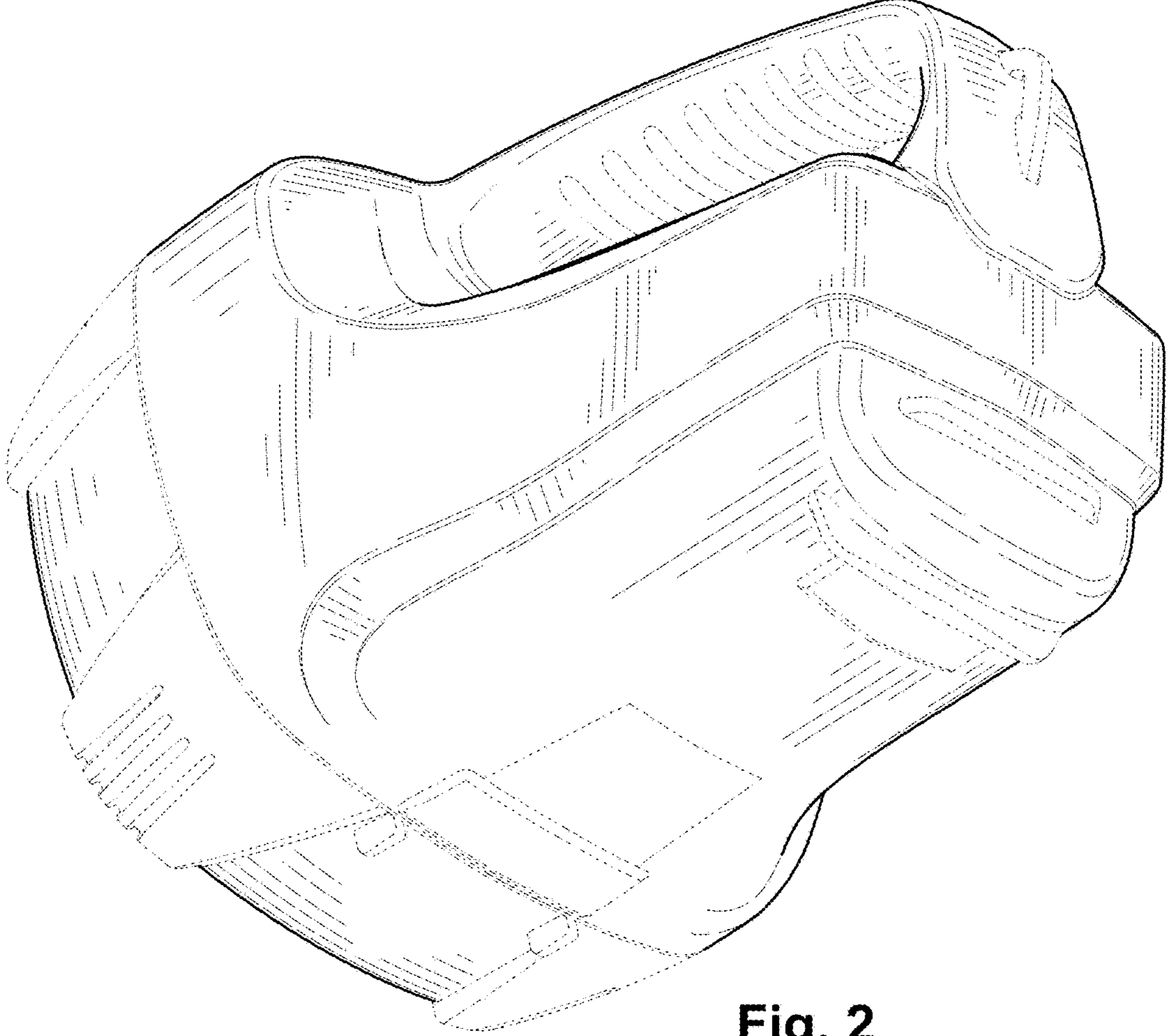


Fig. 1



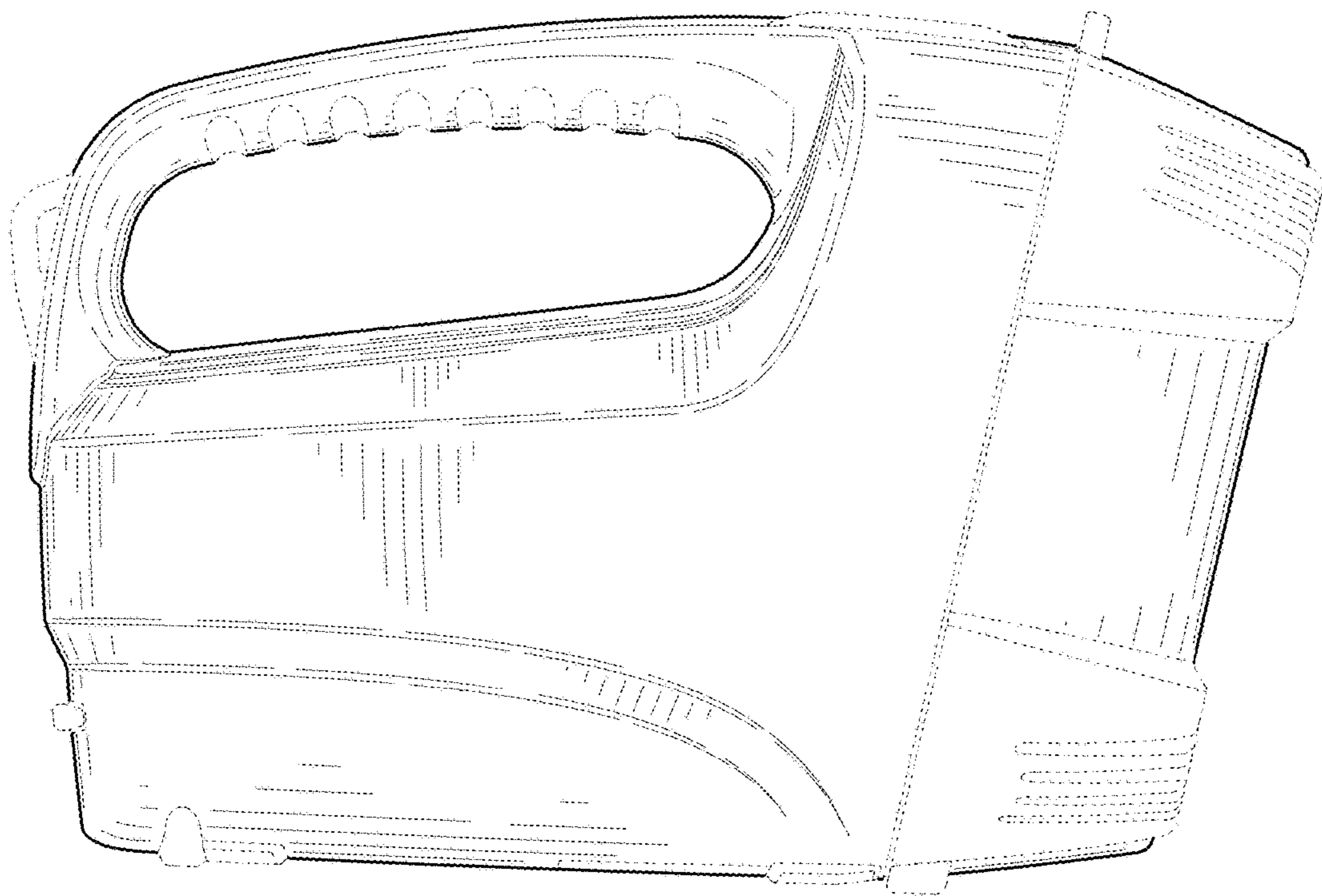


Fig. 3

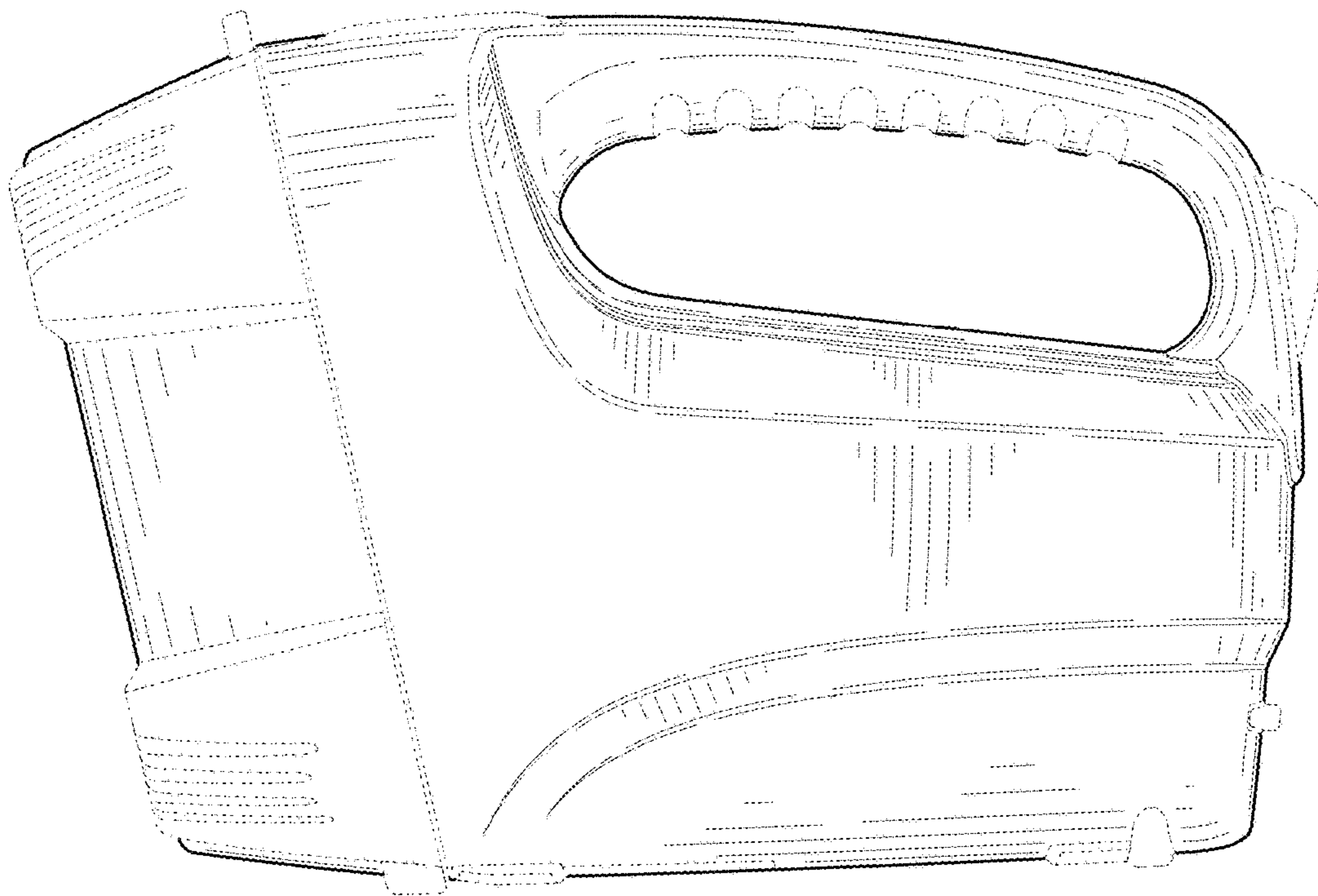


Fig. 4

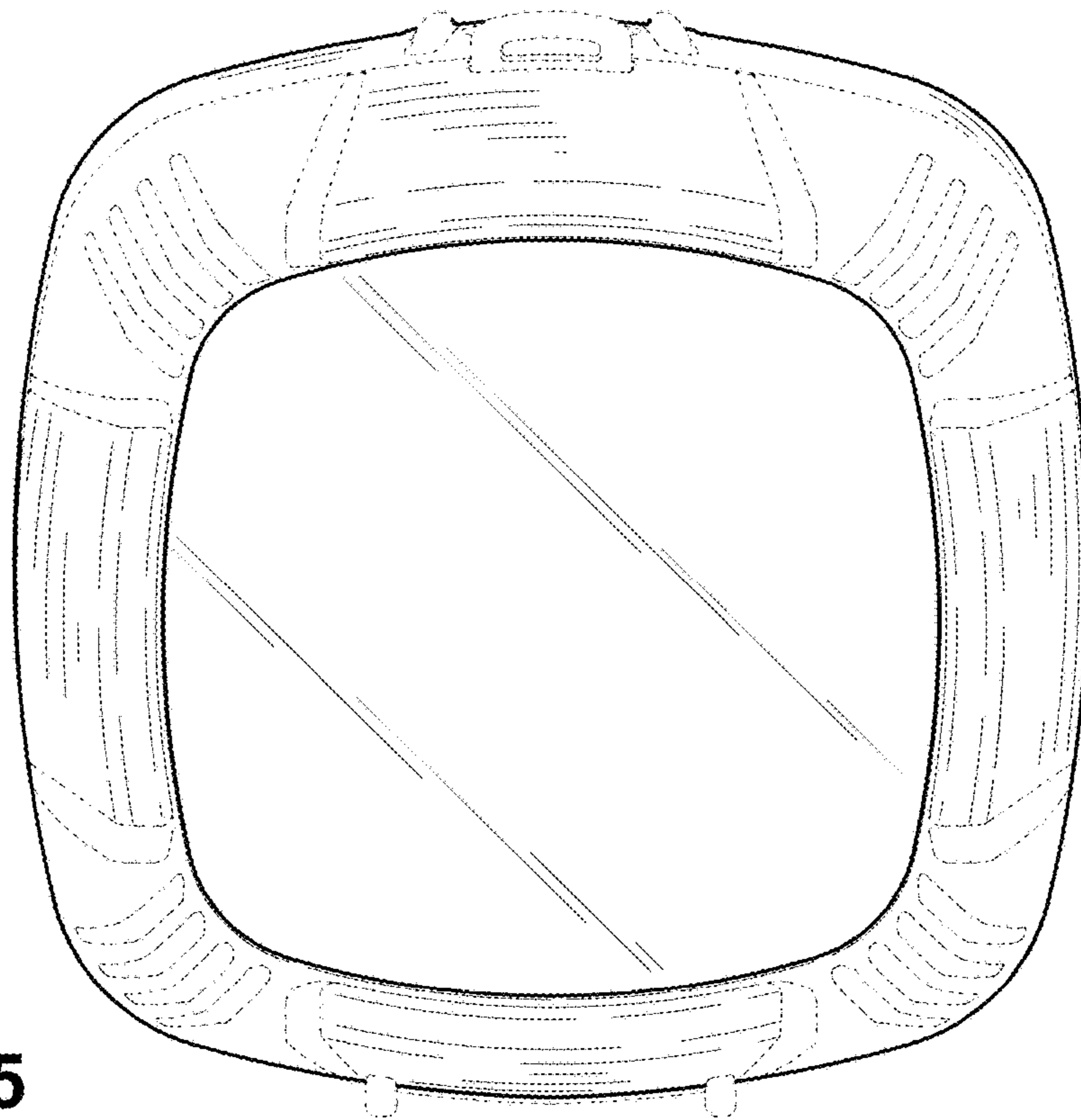


Fig. 5

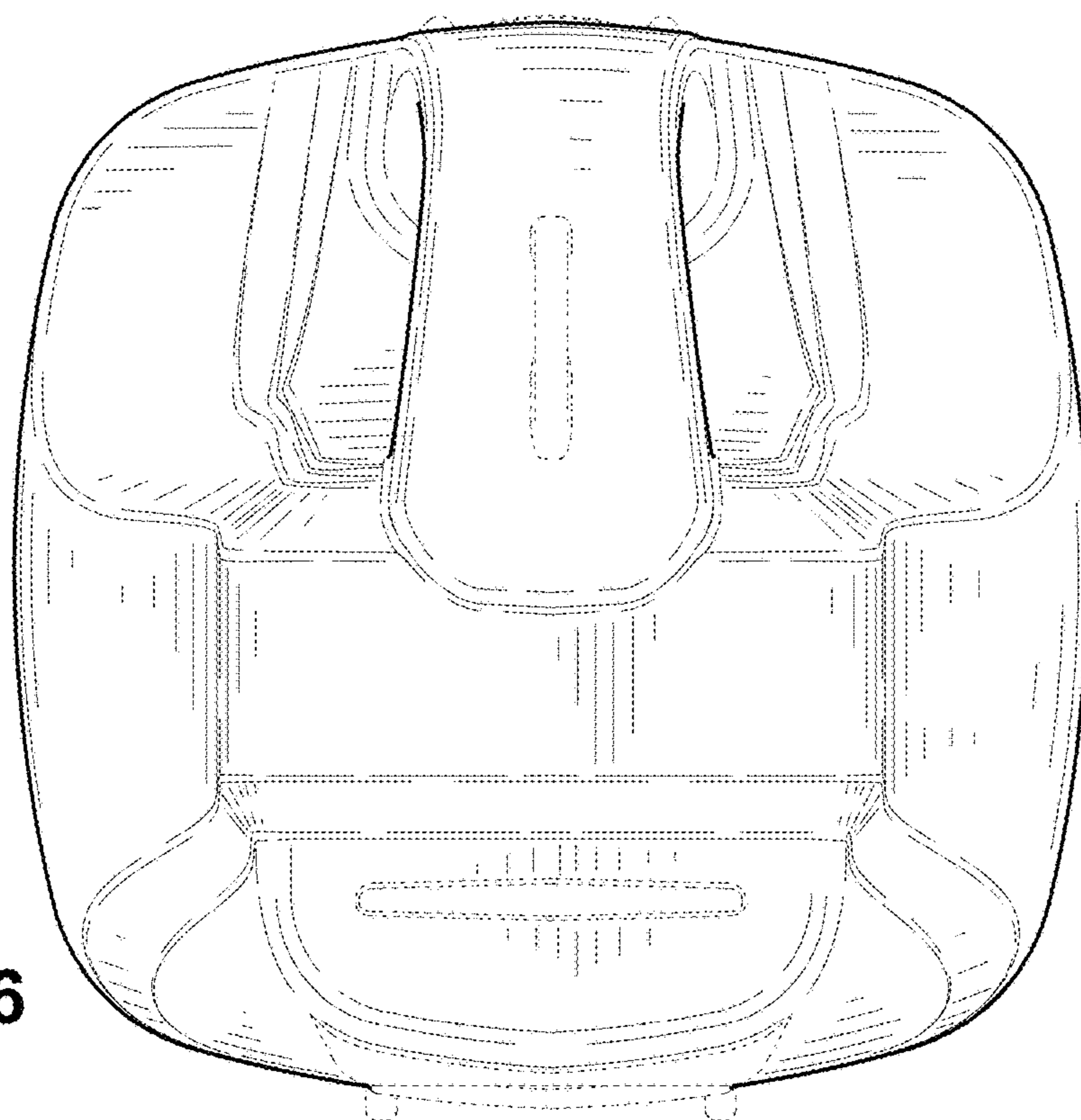


Fig. 6

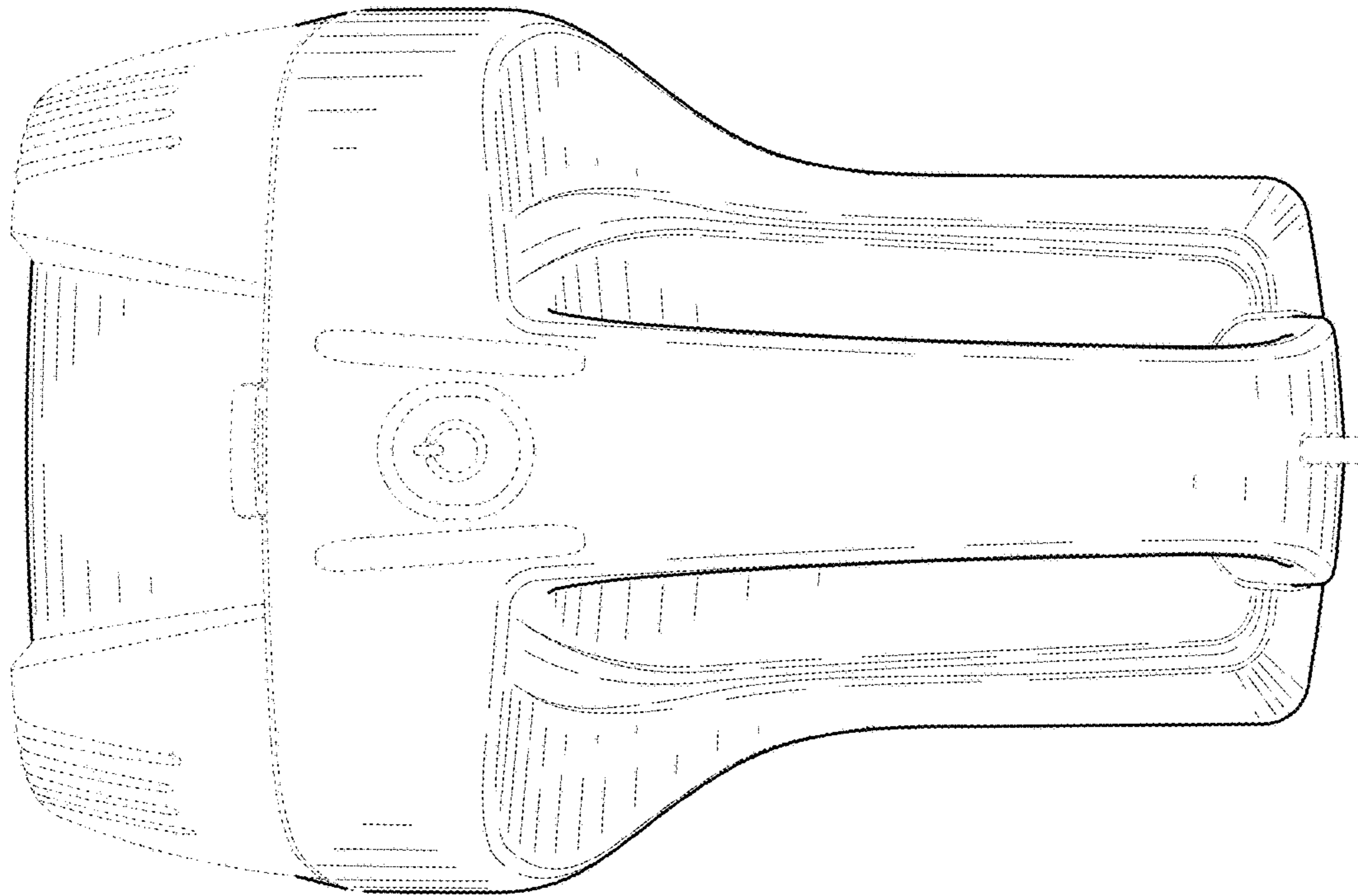


Fig. 7

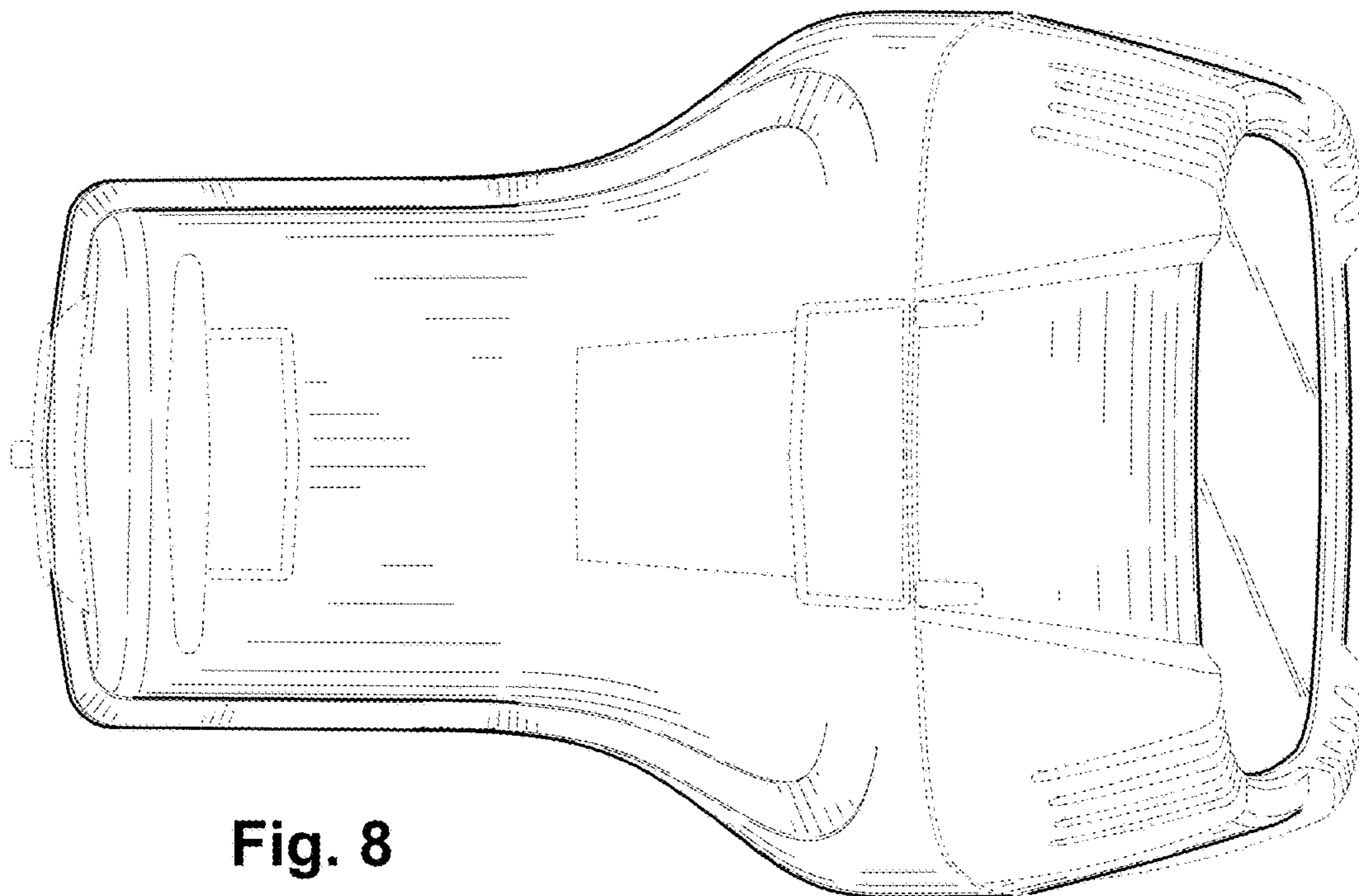


Fig. 8