



US00D797334S

(12) **United States Design Patent**  
**Inskeep**

(10) **Patent No.:** **US D797,334 S**

(45) **Date of Patent:** **\*\* Sep. 12, 2017**

(54) **SPOTLIGHT**

(71) Applicant: **Mathew Inskeep**, Highland Beach, FL  
(US)

(72) Inventor: **Mathew Inskeep**, Highland Beach, FL  
(US)

(\*\*) Term: **15 Years**

(21) Appl. No.: **29/577,619**

(22) Filed: **Sep. 14, 2016**

(51) **LOC (10) Cl.** ..... **26-02**

(52) **U.S. Cl.**  
USPC ..... **D26/45**

(58) **Field of Classification Search**  
USPC ..... D26/45, 48, 50, 37, 38  
CPC ..... F21L 2003/00; F21L 4/00; F21L 4/005;  
F21L 4/02; F21L 4/025; F21L 4/027;  
F21L 4/04; F21L 4/08; F21L 2005/00;  
F21L 7/00; F21L 11/00; F21L 13/00;  
F21L 13/04; F21L 13/08; F21L 14/02;  
F21L 17/00

See application file for complete search history.

(56) **References Cited**

**U.S. PATENT DOCUMENTS**

D508,578 S \* 8/2005 Shen ..... D26/45  
D518,215 S \* 3/2006 Krieger ..... D26/45

D522,675 S \* 6/2006 Krieger ..... D26/45  
D567,419 S \* 4/2008 Ho ..... D26/45  
D603,540 S \* 11/2009 Shum ..... D26/45  
D645,180 S \* 9/2011 Slater ..... D26/45  
D658,796 S \* 5/2012 Inskeep ..... D26/45  
D662,240 S \* 6/2012 Inskeep ..... D26/45  
D754,380 S \* 4/2016 Inskeep ..... D26/45  
D754,381 S \* 4/2016 Inskeep ..... D26/45  
D759,870 S \* 6/2016 Hine ..... D26/45  
D788,341 S \* 5/2017 Inskeep ..... D26/45

\* cited by examiner

*Primary Examiner* — Lakiya Rogers  
*Assistant Examiner* — Carissa C Fitts

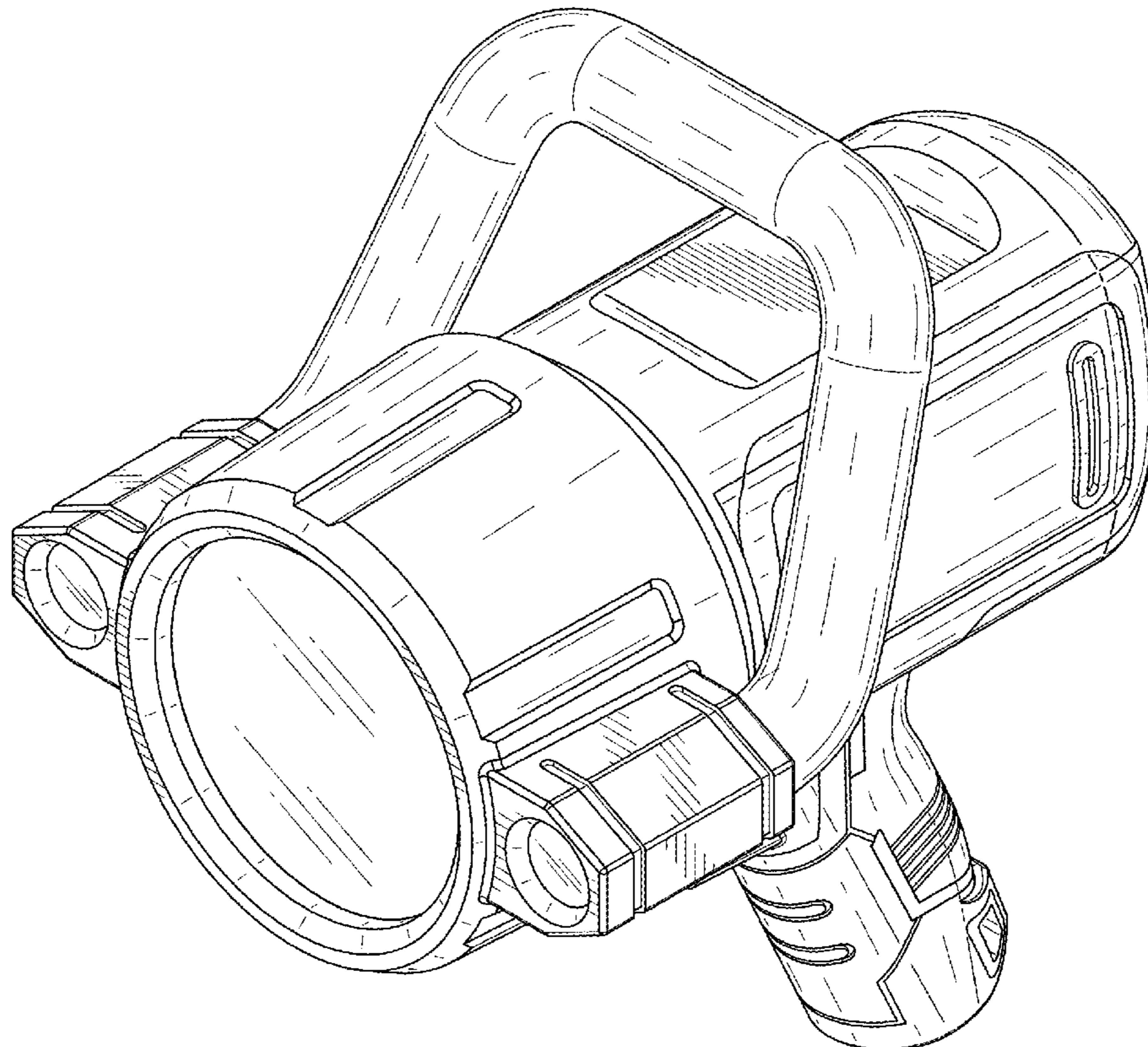
(57) **CLAIM**

The ornamental design for a spotlight, as shown and described.

**DESCRIPTION**

FIG. 1 is a top perspective view of the spotlight showing my new design.  
FIG. 2 is a bottom perspective view thereof.  
FIG. 3 is a top perspective view thereof.  
FIG. 4 is a bottom view thereof  
FIG. 5 is a right side view thereof.  
FIG. 6 is a front view thereof; and,  
FIG. 7 is a back view thereof.

**1 Claim, 7 Drawing Sheets**



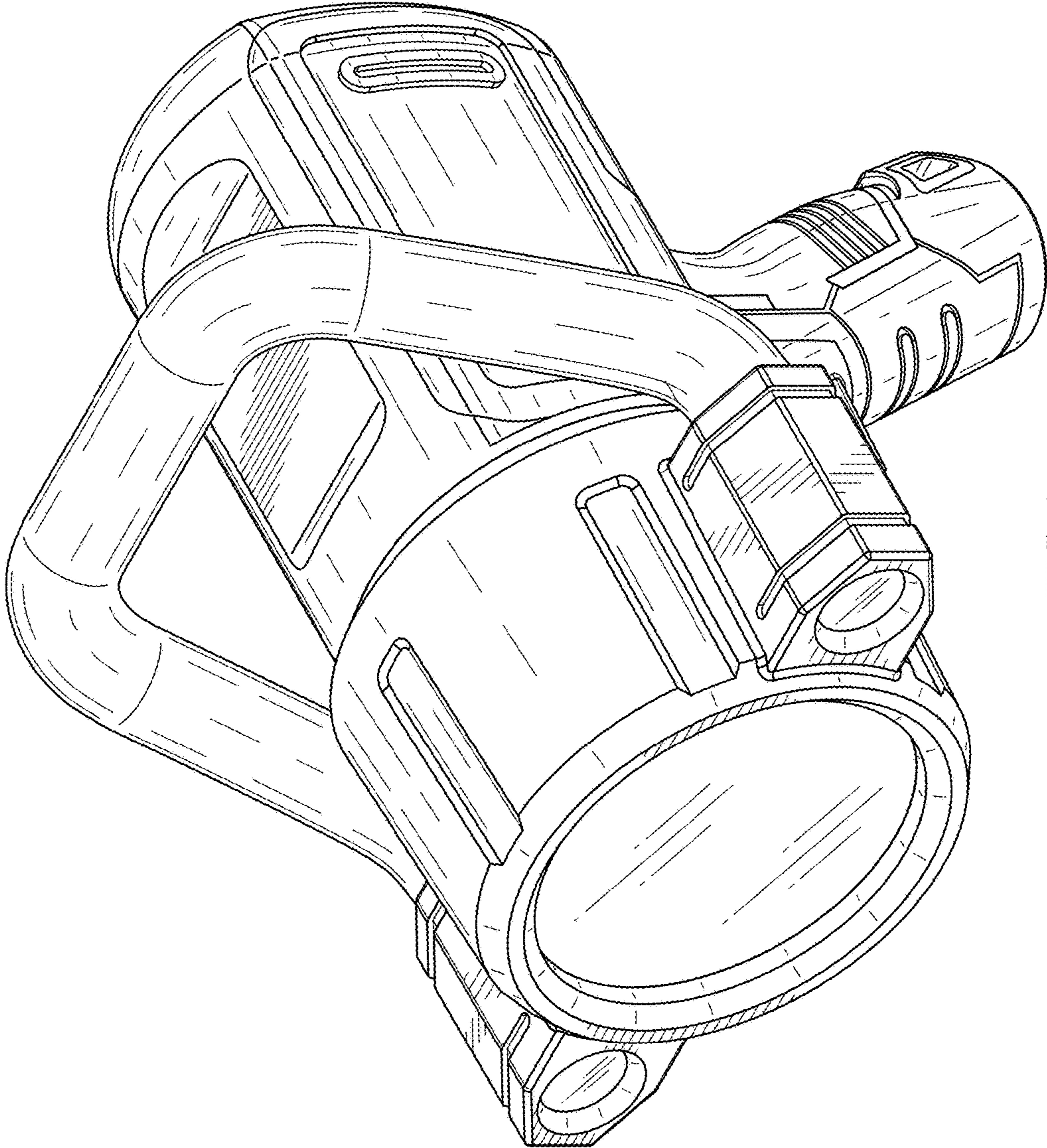


FIG. 1



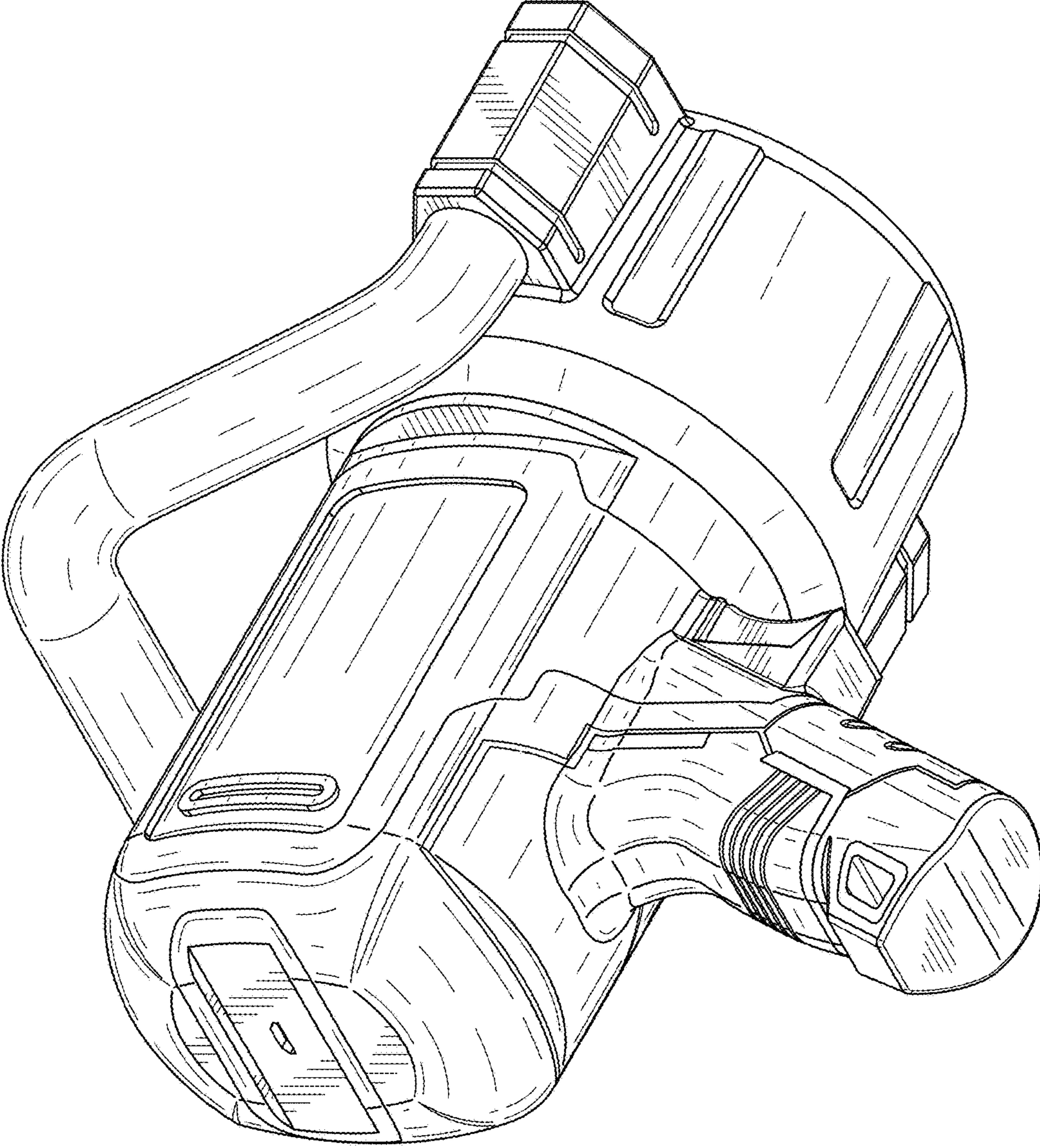


FIG. 2

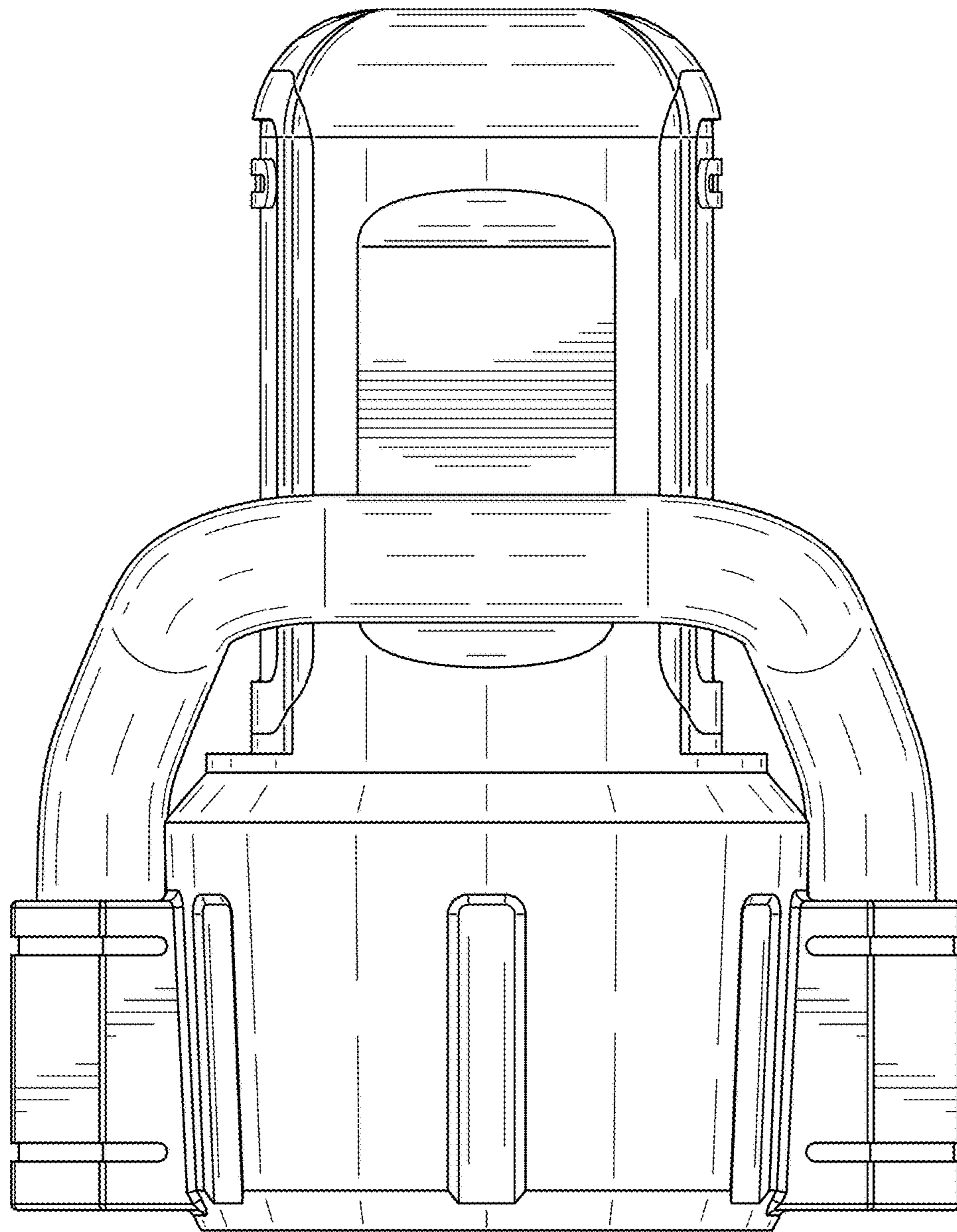


FIG. 3

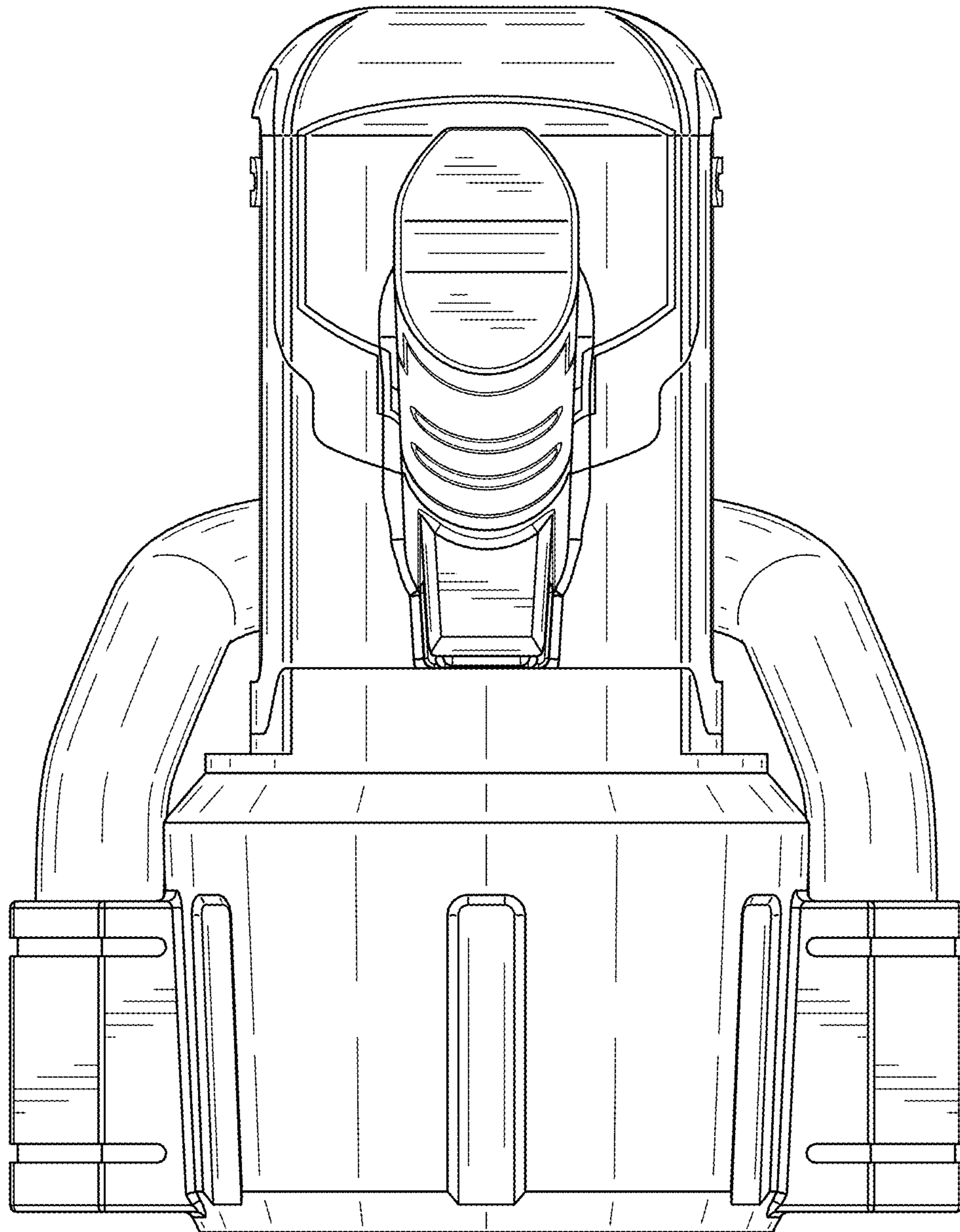


FIG. 4



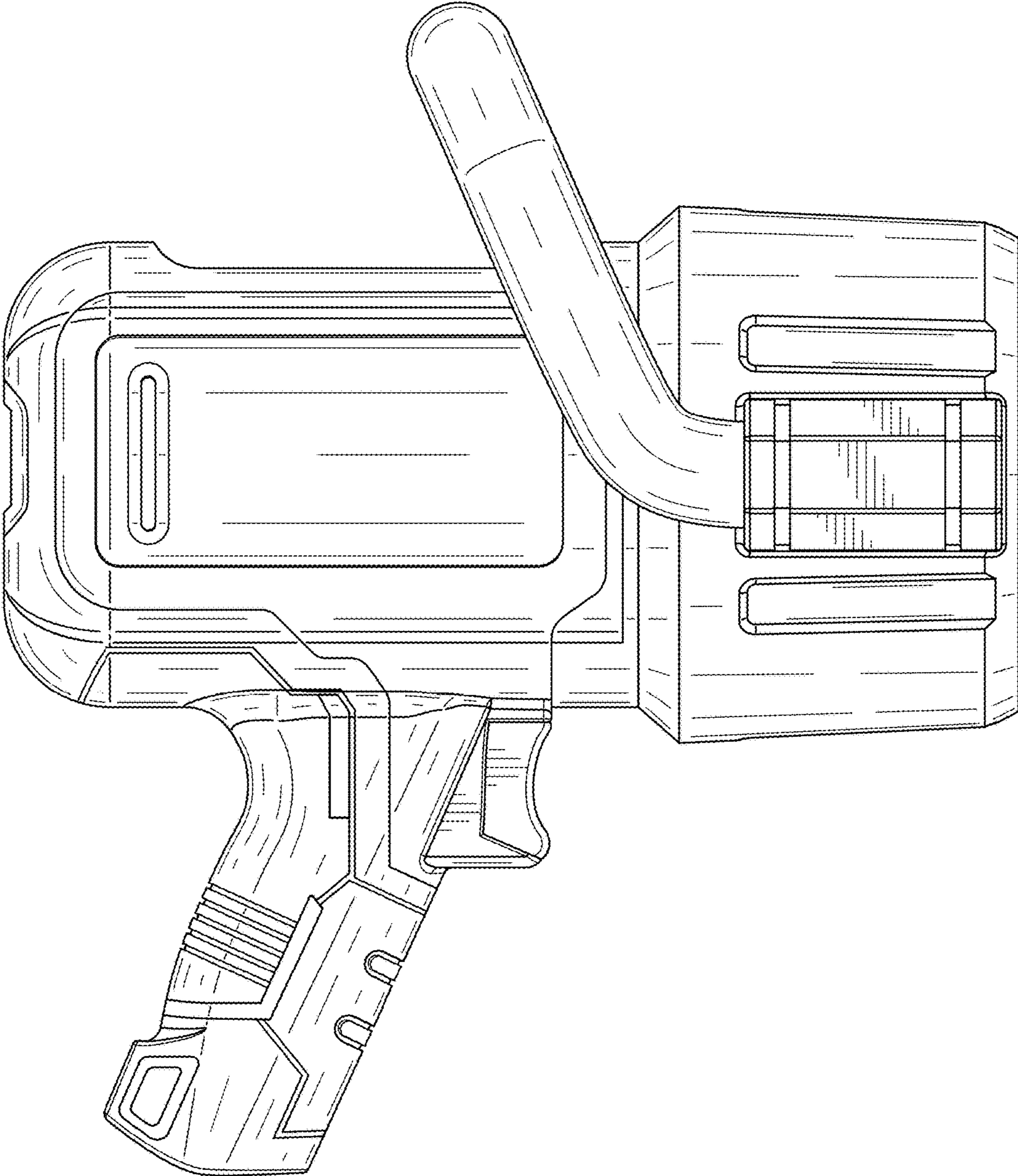


FIG. 5

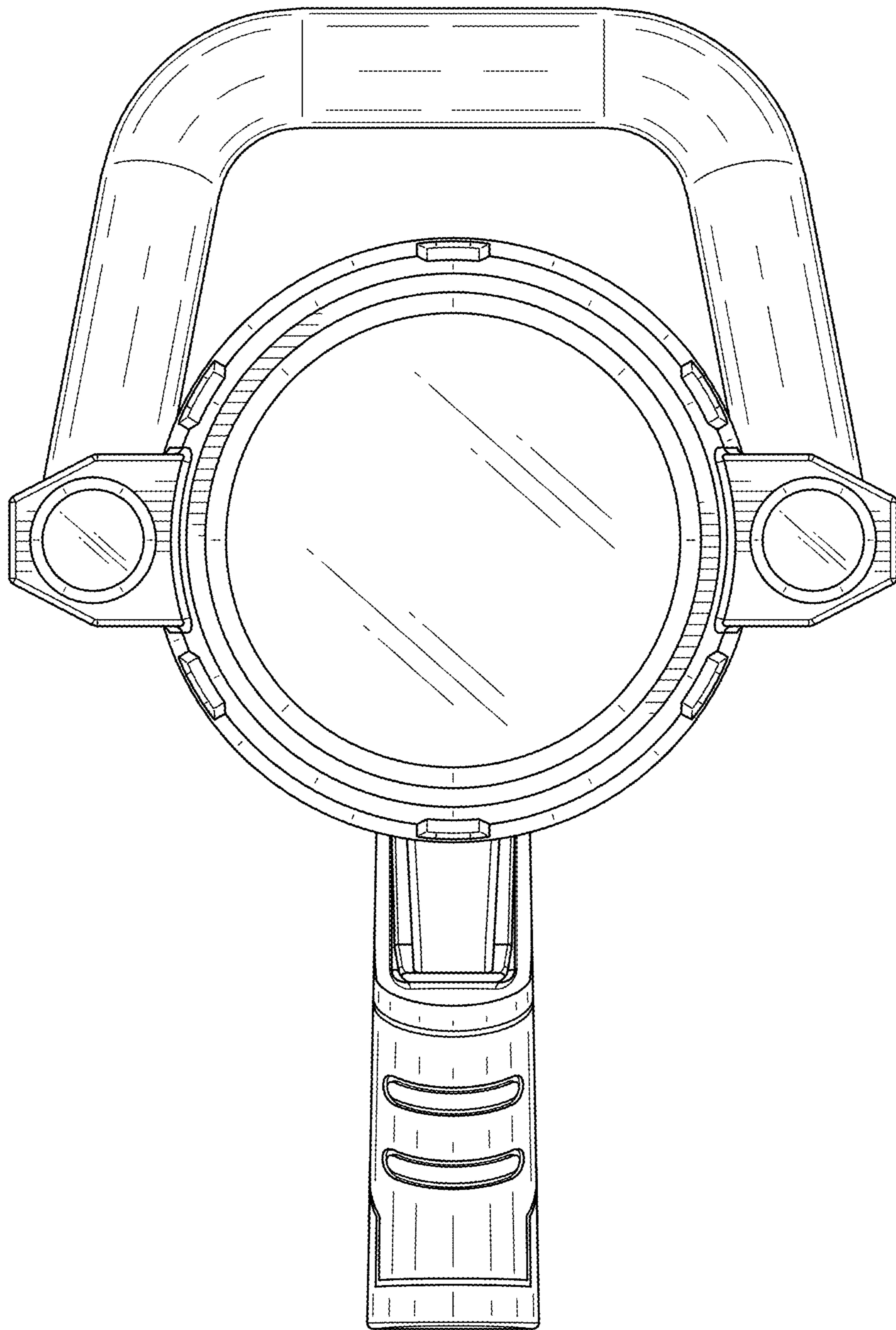


FIG. 6

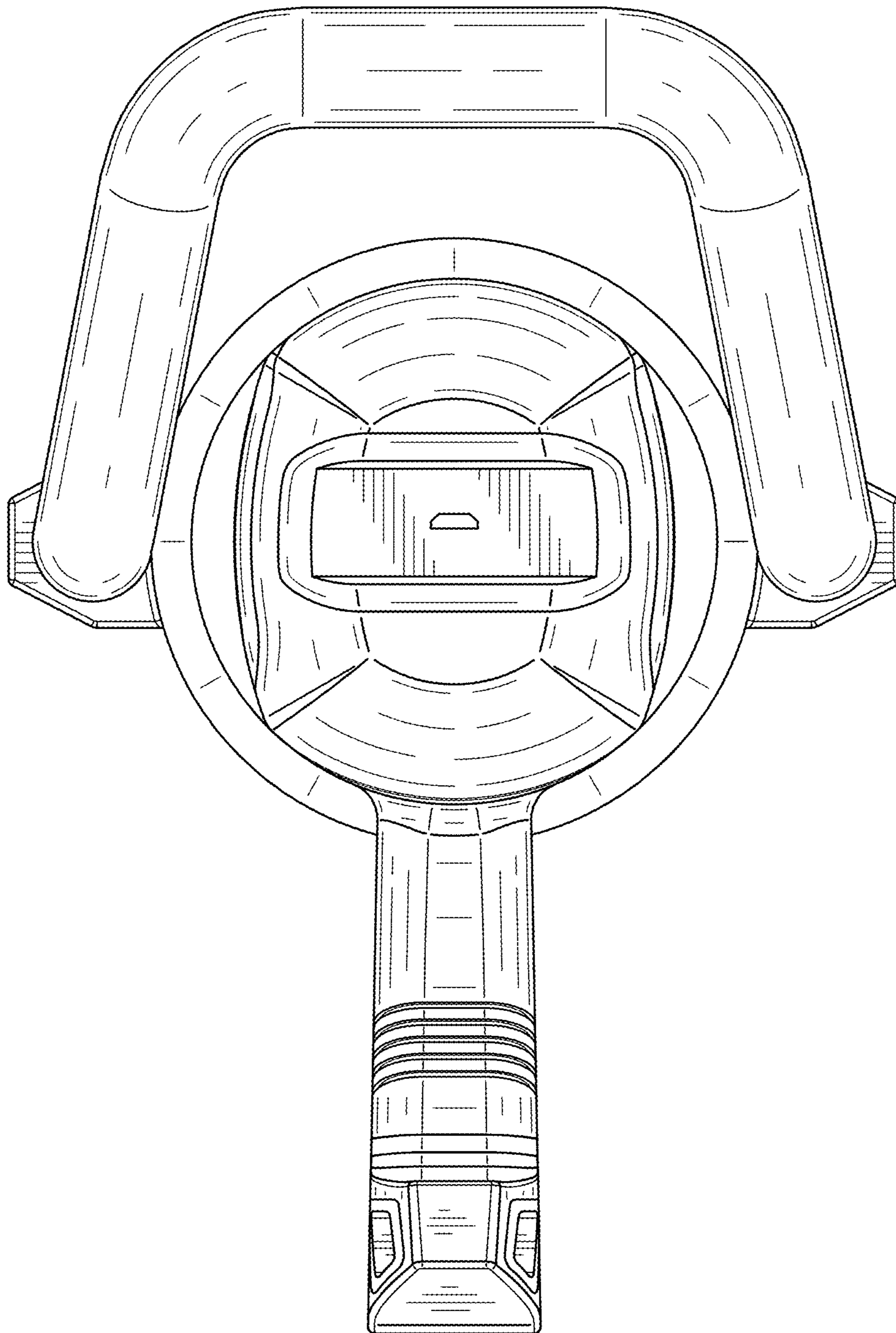


FIG. 7