



US00D797333S

(12) **United States Design Patent** (10) **Patent No.:** **US D797,333 S**
Efferen (45) **Date of Patent:** **** Sep. 12, 2017**

(54) **FLASHLIGHT FOR A PET COLLAR**

(71) Applicant: **Victoria Efferen**, Harrison, NY (US)

(72) Inventor: **Victoria Efferen**, Harrison, NY (US)

(**) Term: **15 Years**

(21) Appl. No.: **29/546,068**

(22) Filed: **Nov. 18, 2015**

(51) **LOC (10) Cl.** **26-02**

(52) **U.S. Cl.**
USPC **D26/39; D26/38**

(58) **Field of Classification Search**
USPC D26/37, 38, 46, 51, 39
CPC F21L 2003/00; F21L 4/00; F21L 4/005;
F21L 4/02; F21L 4/025; F21L 4/027;
F21L 4/04; F21L 4/08; F21L 2005/00;
F21L 7/00; F21L 11/00; F21L 13/00;
F21L 13/04; F21L 13/08; F21L 14/02;
F21L 17/00

See application file for complete search history.

(56) **References Cited**

U.S. PATENT DOCUMENTS

D300,869 S *	4/1989	Caffey	D26/39
D531,335 S *	10/2006	Garrity	D26/39
D555,265 S *	11/2007	Shiu	D26/39
D560,008 S *	1/2008	Poon	D26/39
D736,980 S *	8/2015	Petzl	D26/39
D742,050 S *	10/2015	Inskeep	D26/39
D742,051 S *	10/2015	Abernethy	D26/39
D745,730 S *	12/2015	Kunzendorf	D26/39
D762,317 S *	7/2016	Ormsbee	D26/39

* cited by examiner

Primary Examiner — Lakiya Rogers

Assistant Examiner — Carissa C Fitts

(74) *Attorney, Agent, or Firm* — Tarter Krinsky & Drogin LLP

(57) **CLAIM**

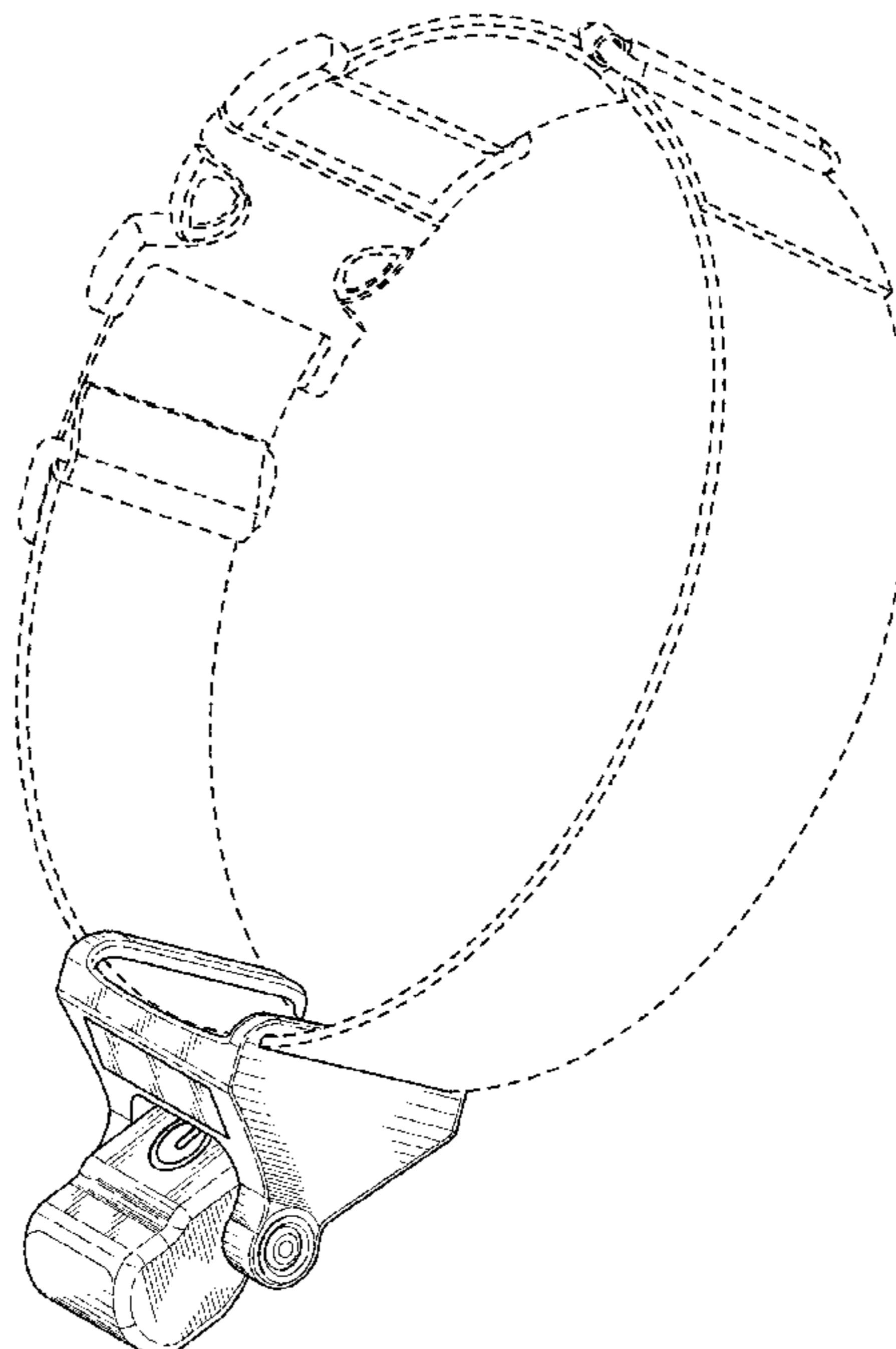
I claim the ornamental design for a flashlight for a pet collar, as shown and described.

DESCRIPTION

FIG. 1 is a perspective view of a flashlight for a pet collar connected to a pet collar;
 FIG. 2 is a front perspective view of a flashlight for a pet collar with a light housing in a first position;
 FIG. 3 is a rear perspective view thereof;
 FIG. 4 is a first side view thereof;
 FIG. 5 is a second side view thereof;
 FIG. 6 is a top view thereof;
 FIG. 7 is a bottom view thereof;
 FIG. 8 is a front view thereof;
 FIG. 9 is a rear view thereof;
 FIG. 10 is a front perspective view of a flashlight for a pet collar with a light housing in a second position;
 FIG. 11 is a rear perspective view thereof;
 FIG. 12 is a front view thereof;
 FIG. 13 is a rear view thereof;
 FIG. 14 is a top view thereof;
 FIG. 15 is a bottom view thereof;
 FIG. 16 is a first side view thereof; and,
 FIG. 17 is a second side view thereof.

The broken line showing of the pet collar in FIG. 1 is for environmental purposes only and forms no part of the claimed design. All other broken lines represent unclaimed portions of the article and form no part of the claimed design.

1 Claim, 11 Drawing Sheets



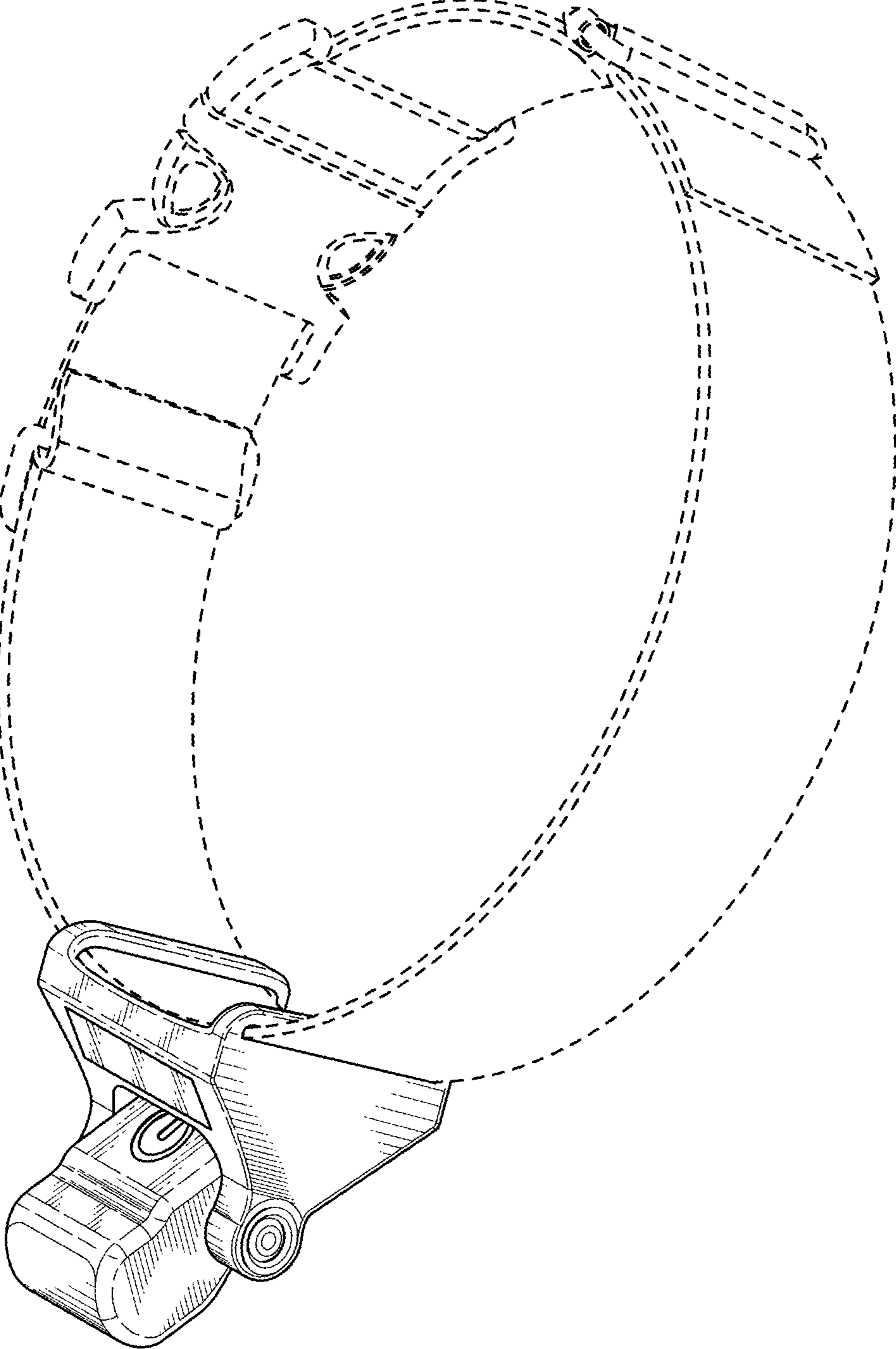


FIG. 1

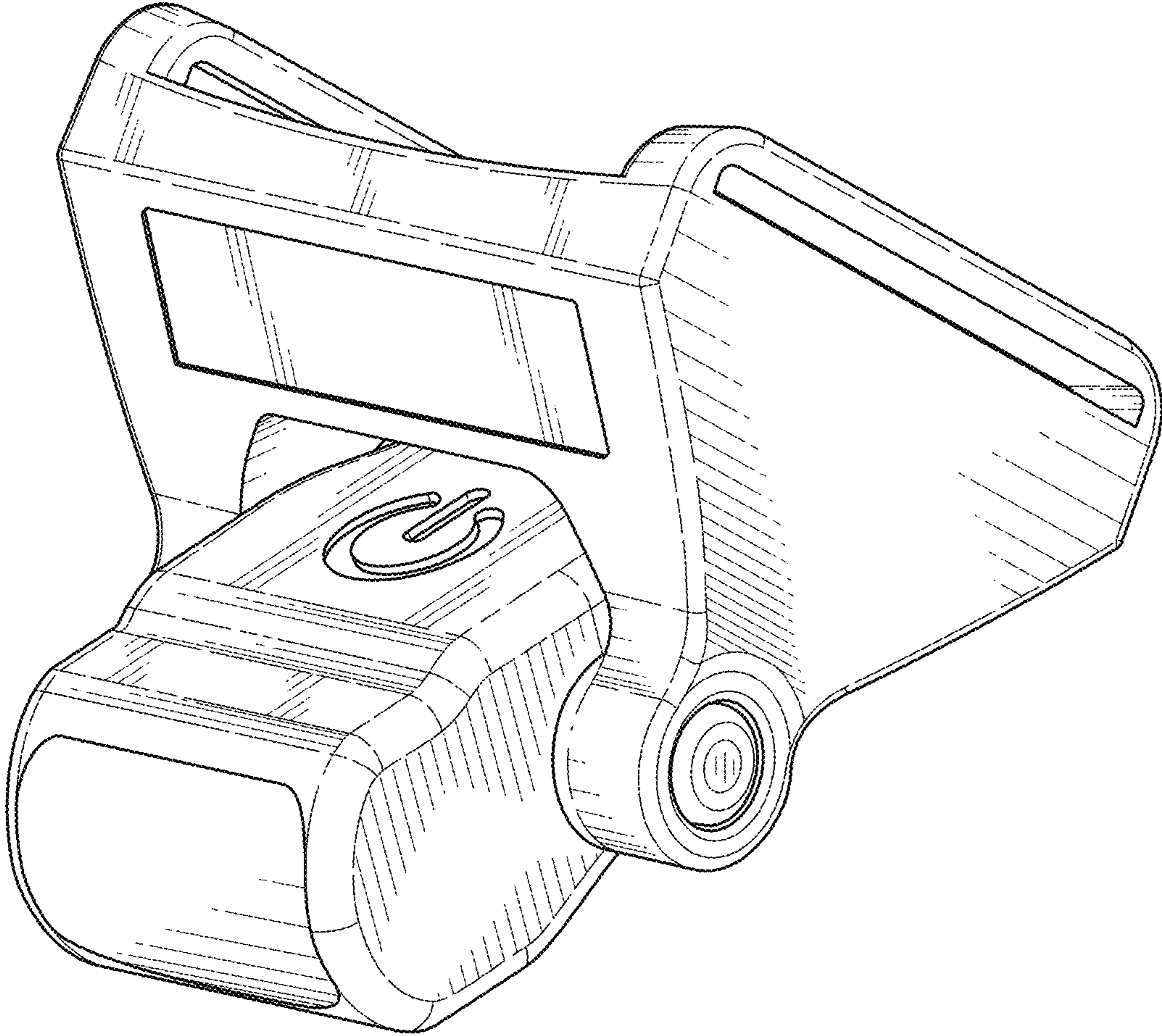


FIG. 2

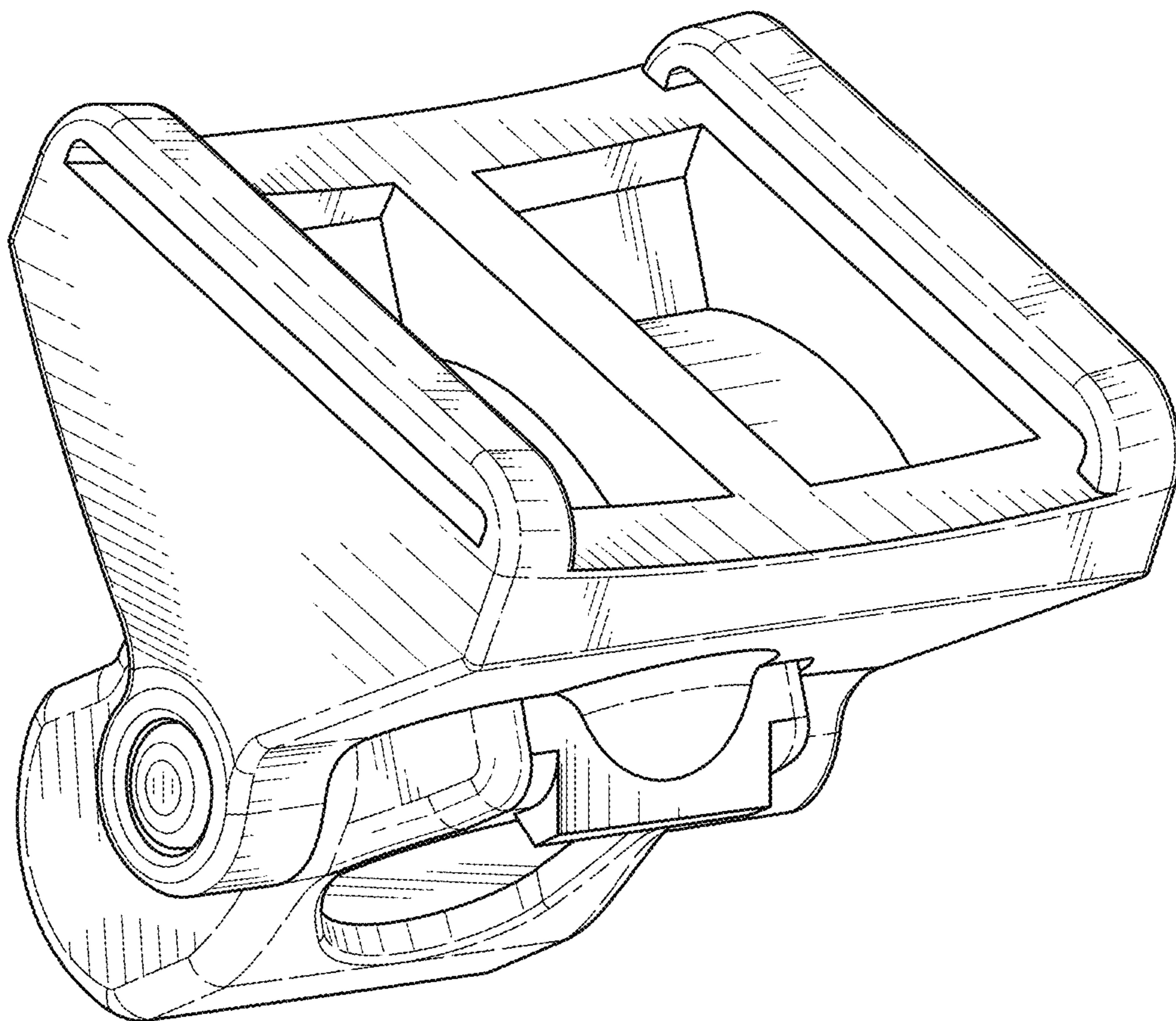


FIG. 3

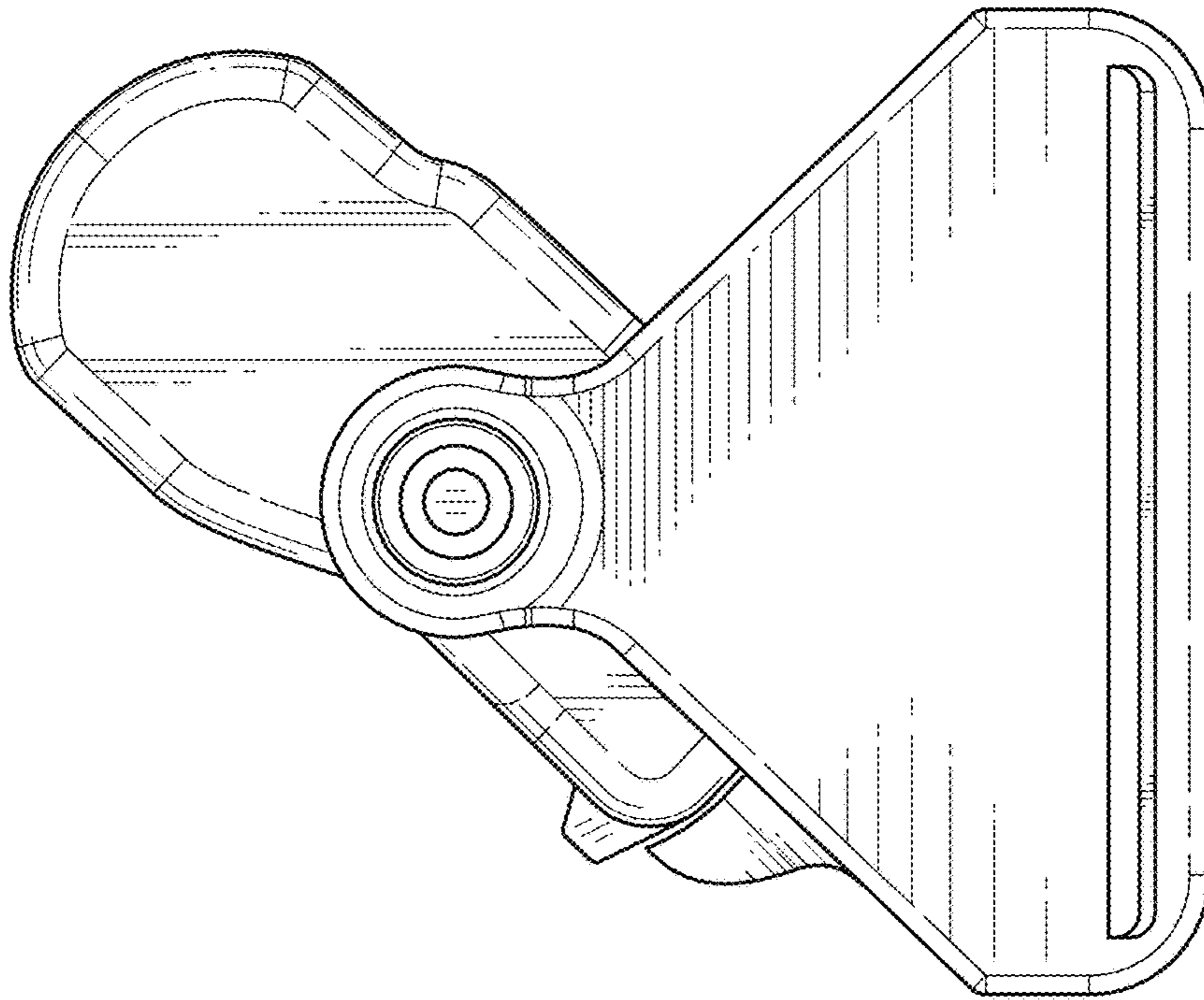


FIG. 4

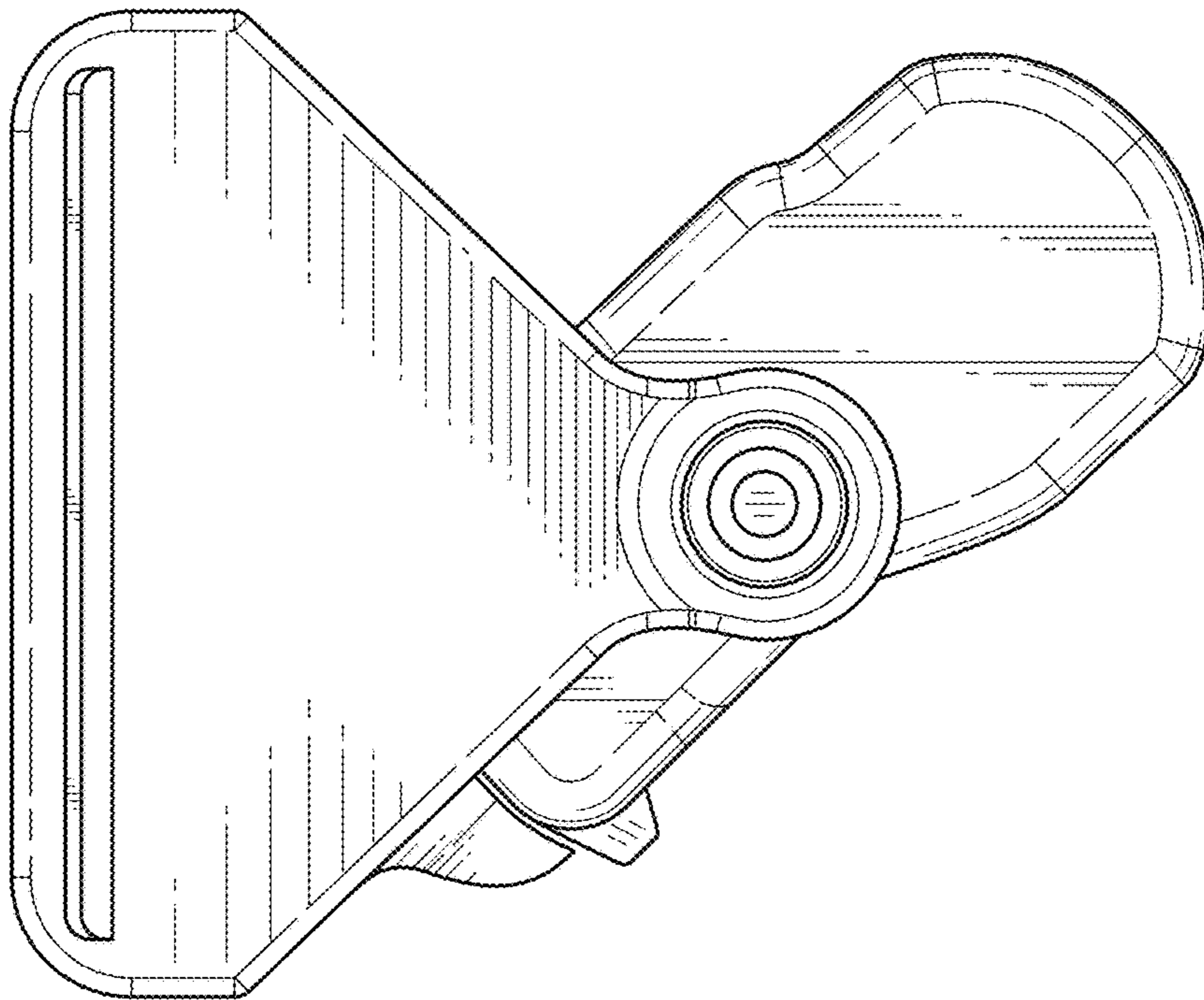


FIG. 5

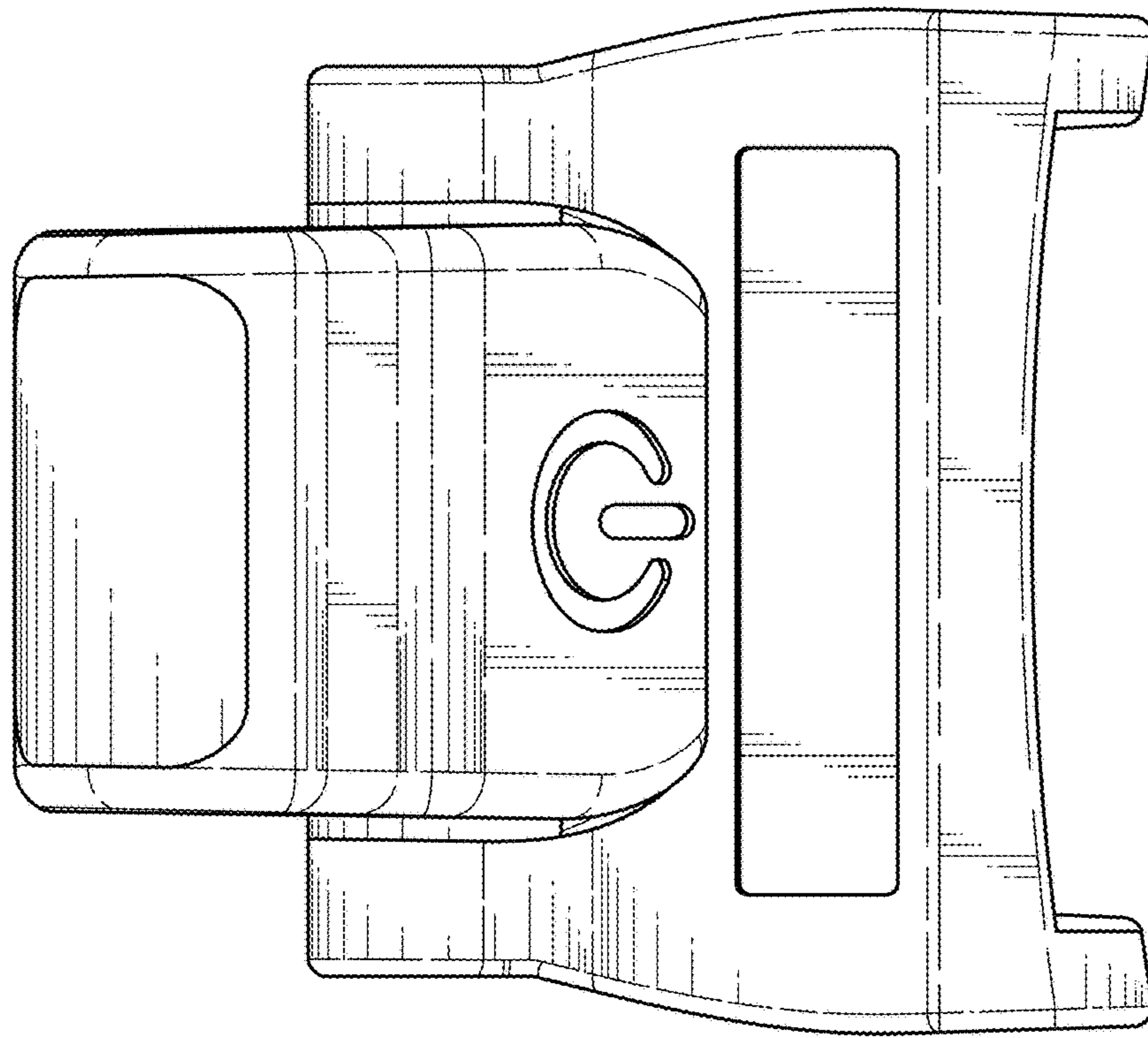


FIG. 6

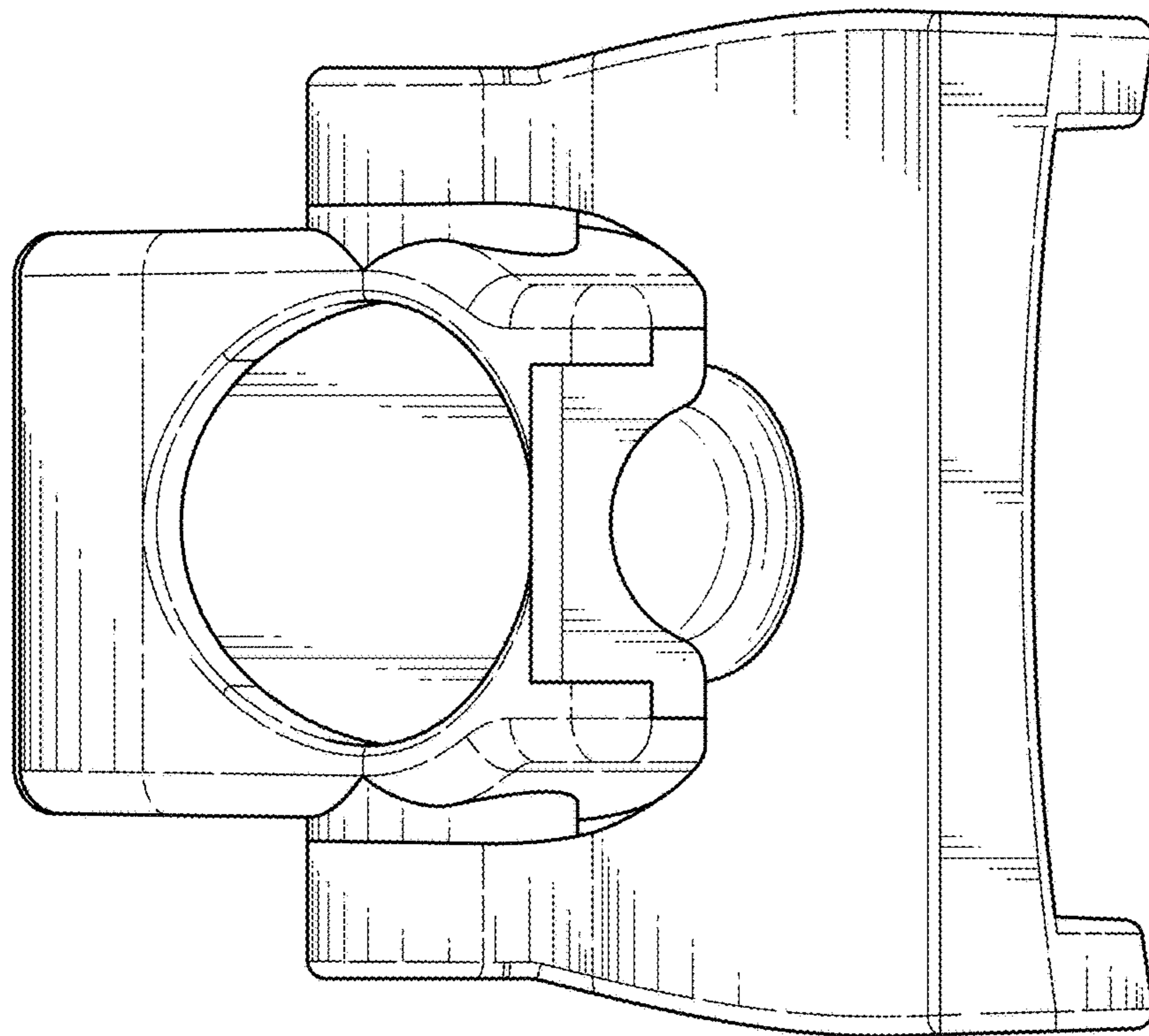


FIG. 7

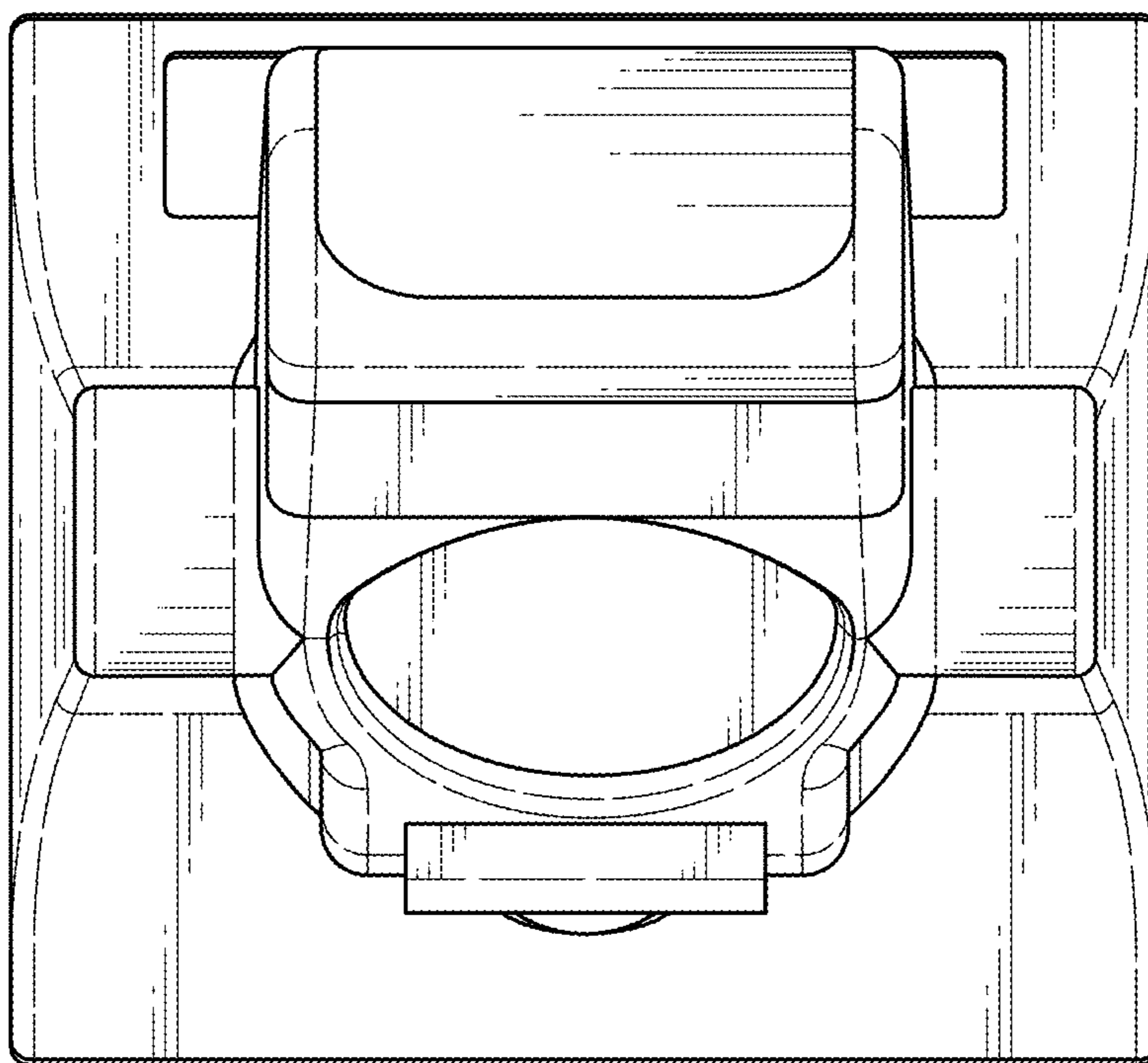


FIG. 8

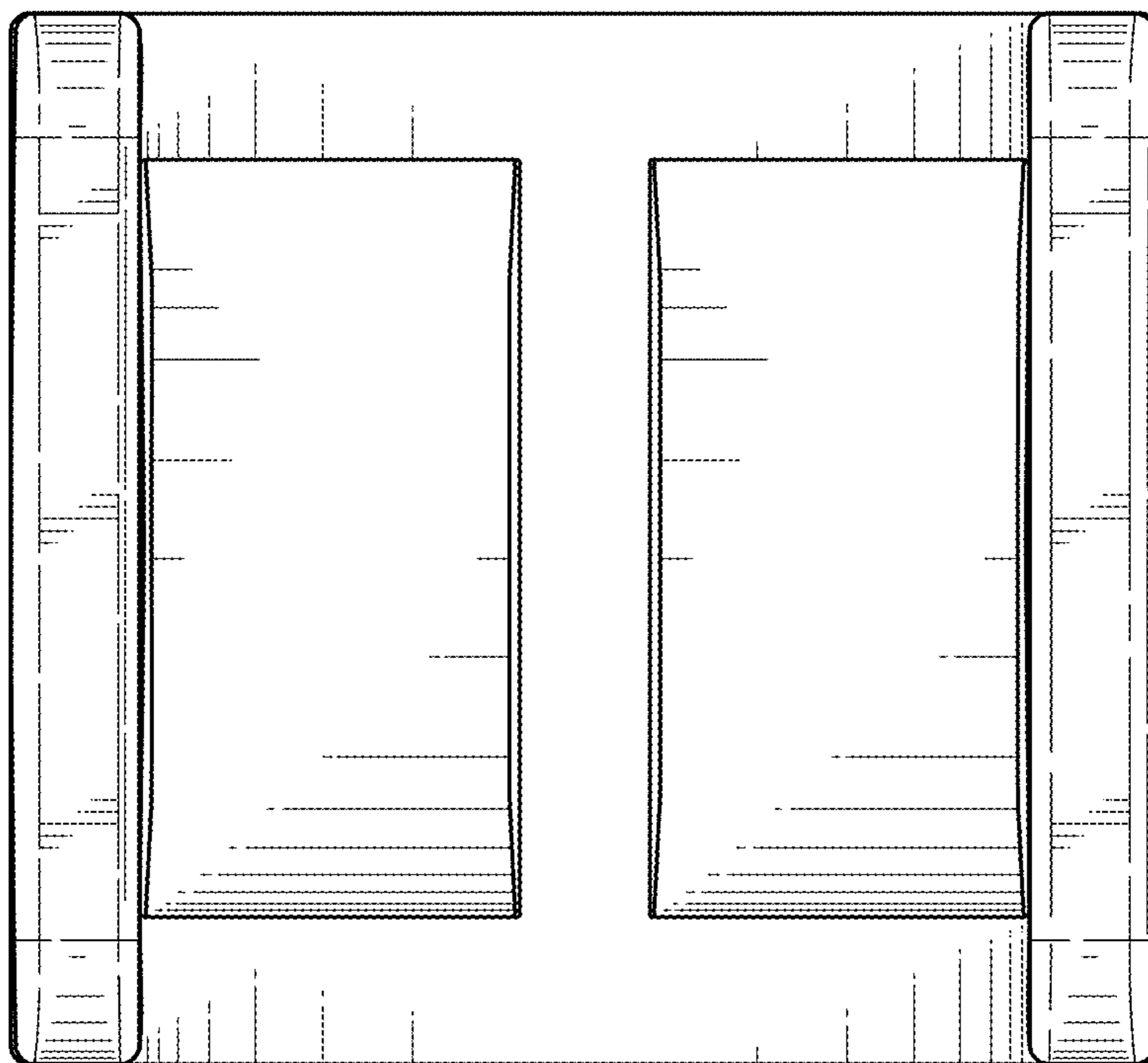


FIG. 9

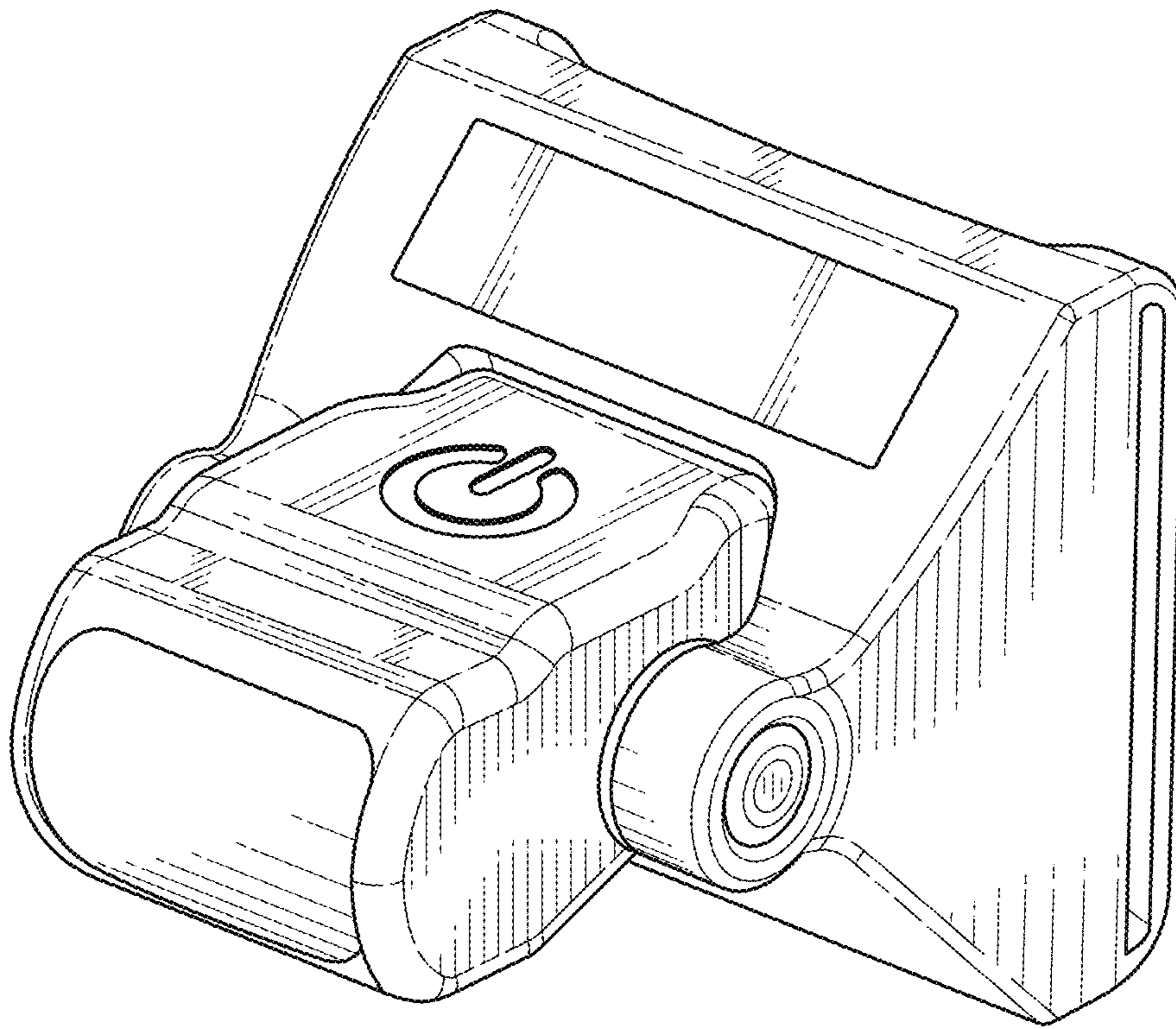


FIG. 10

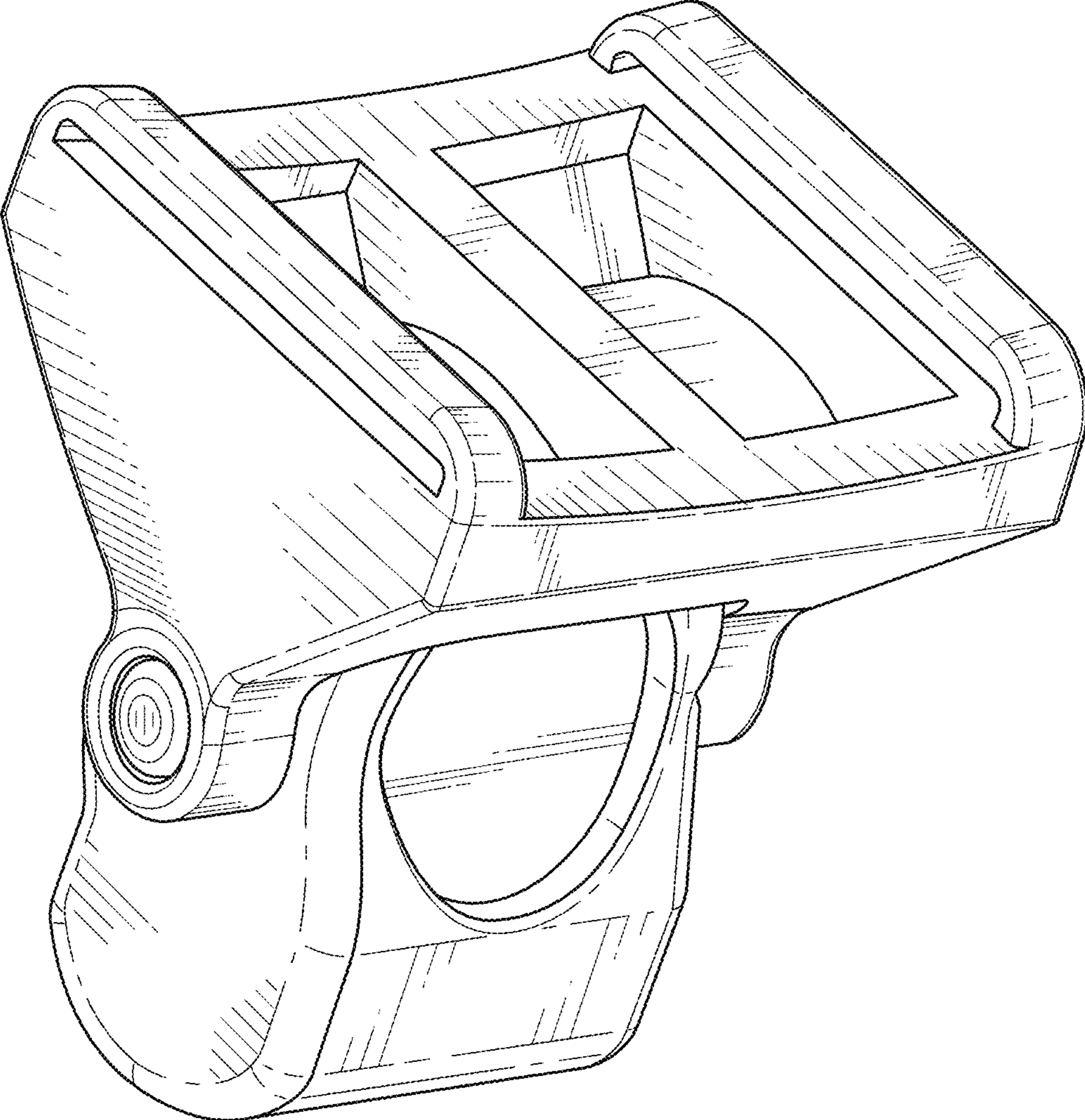


FIG. 11

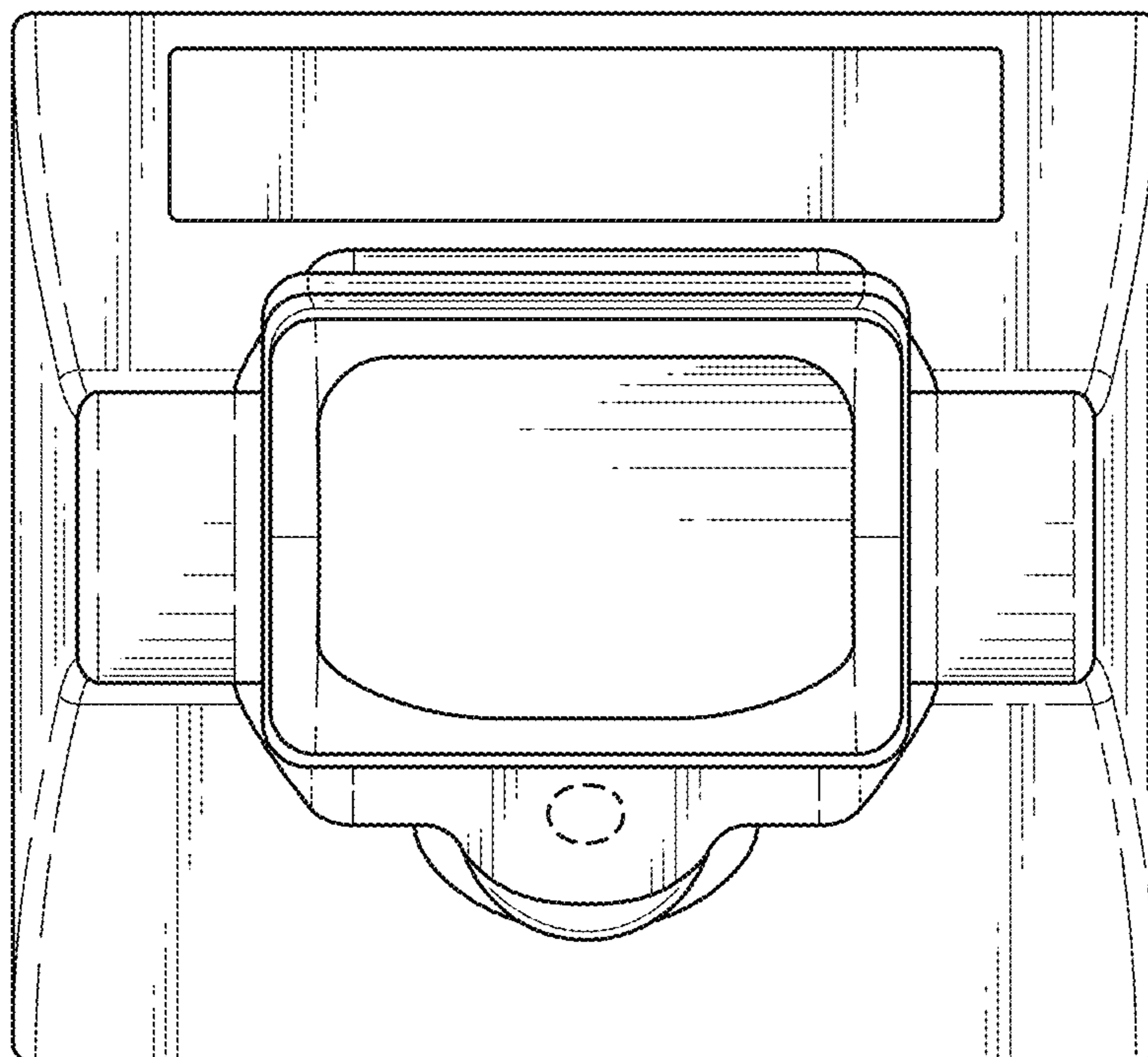


FIG. 12

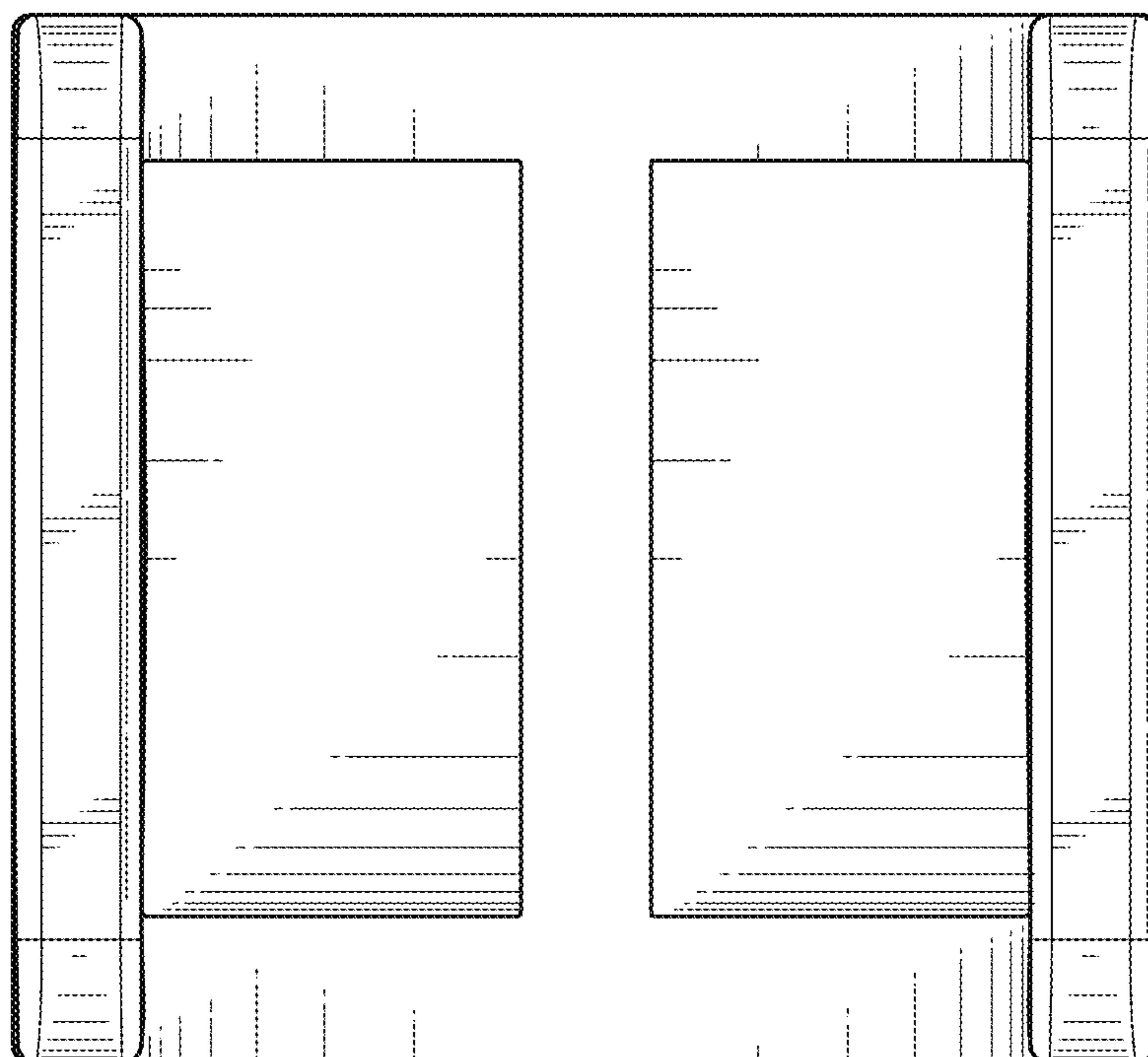


FIG. 13

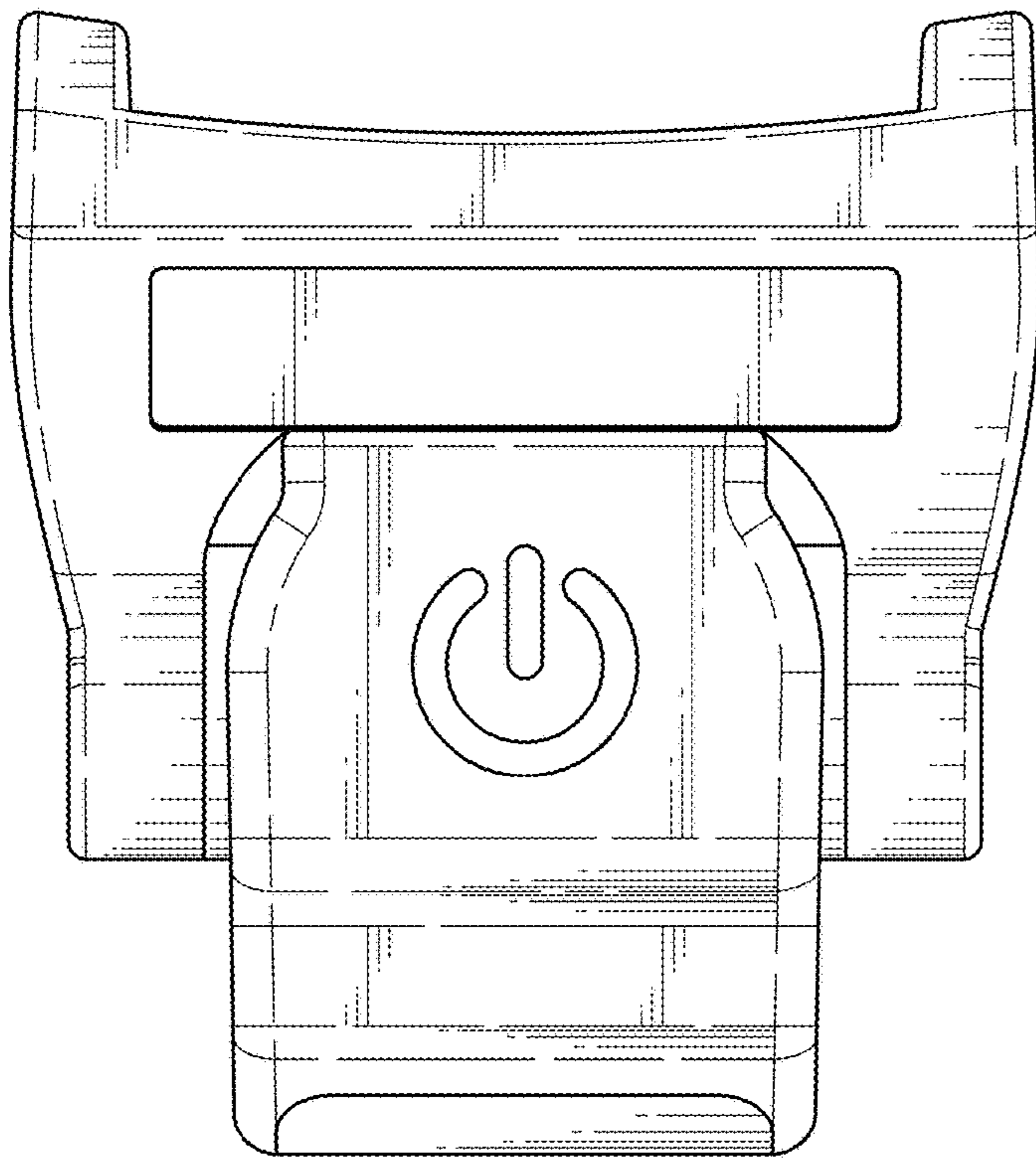


FIG. 14

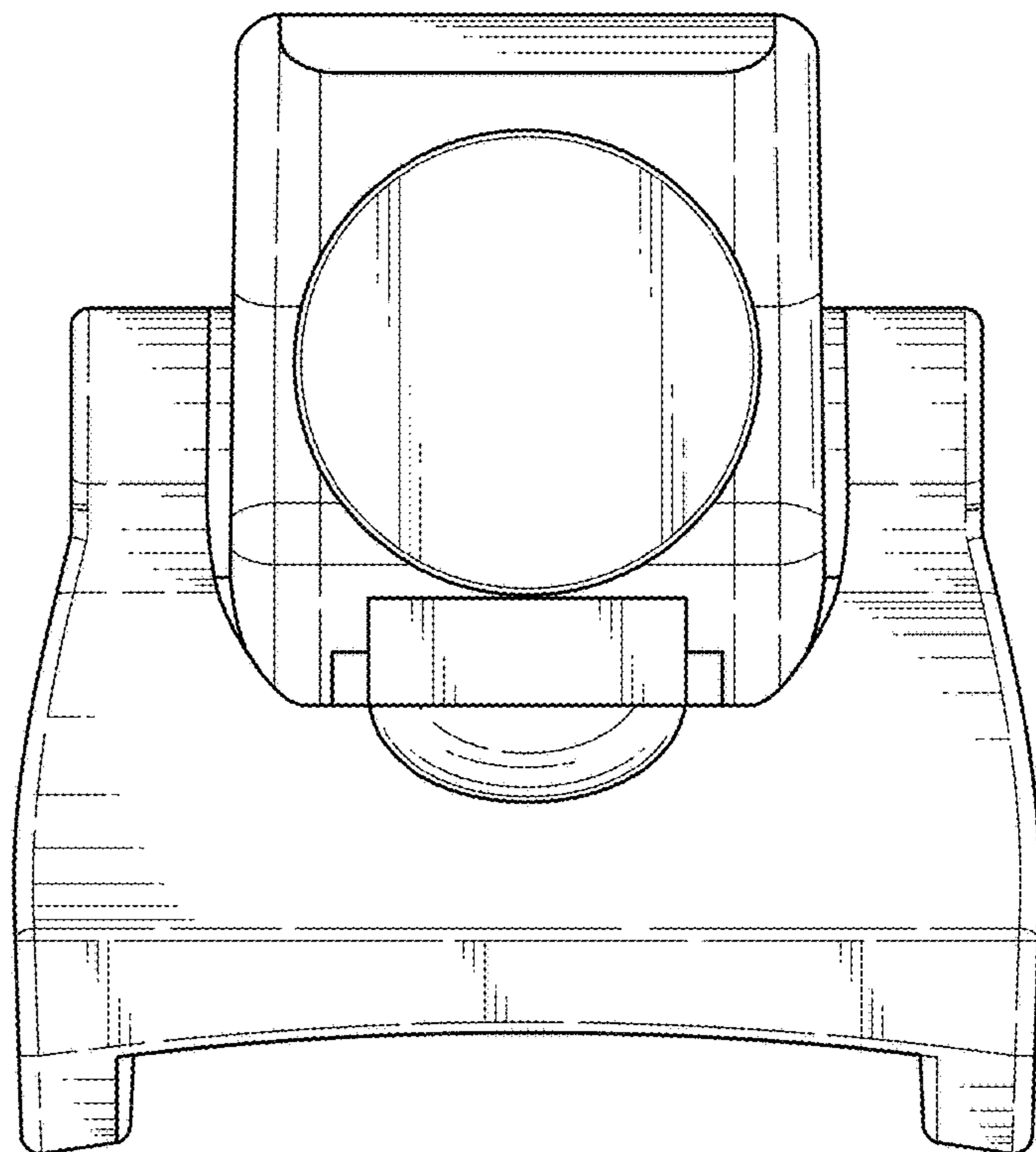


FIG. 15

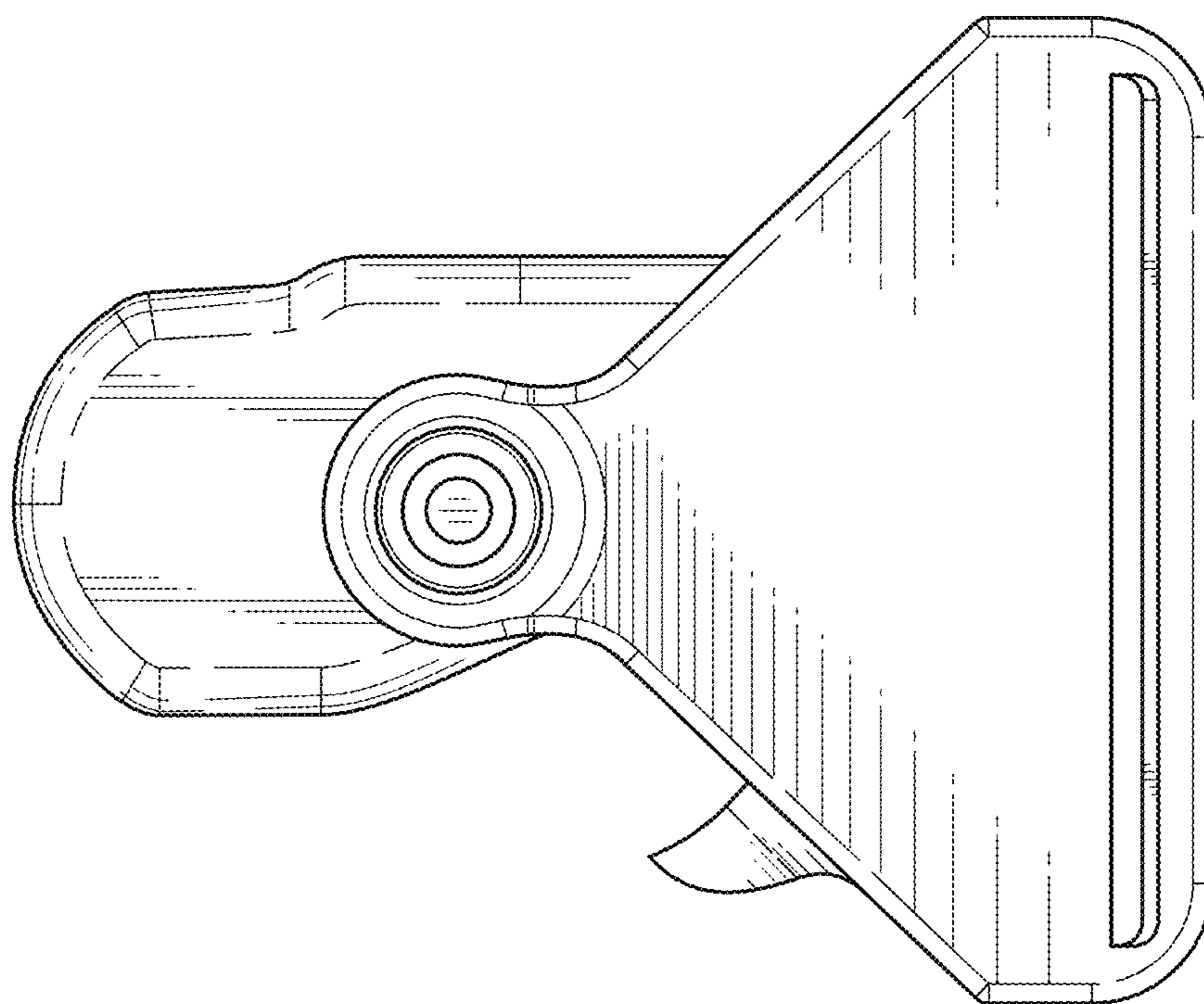


FIG. 16

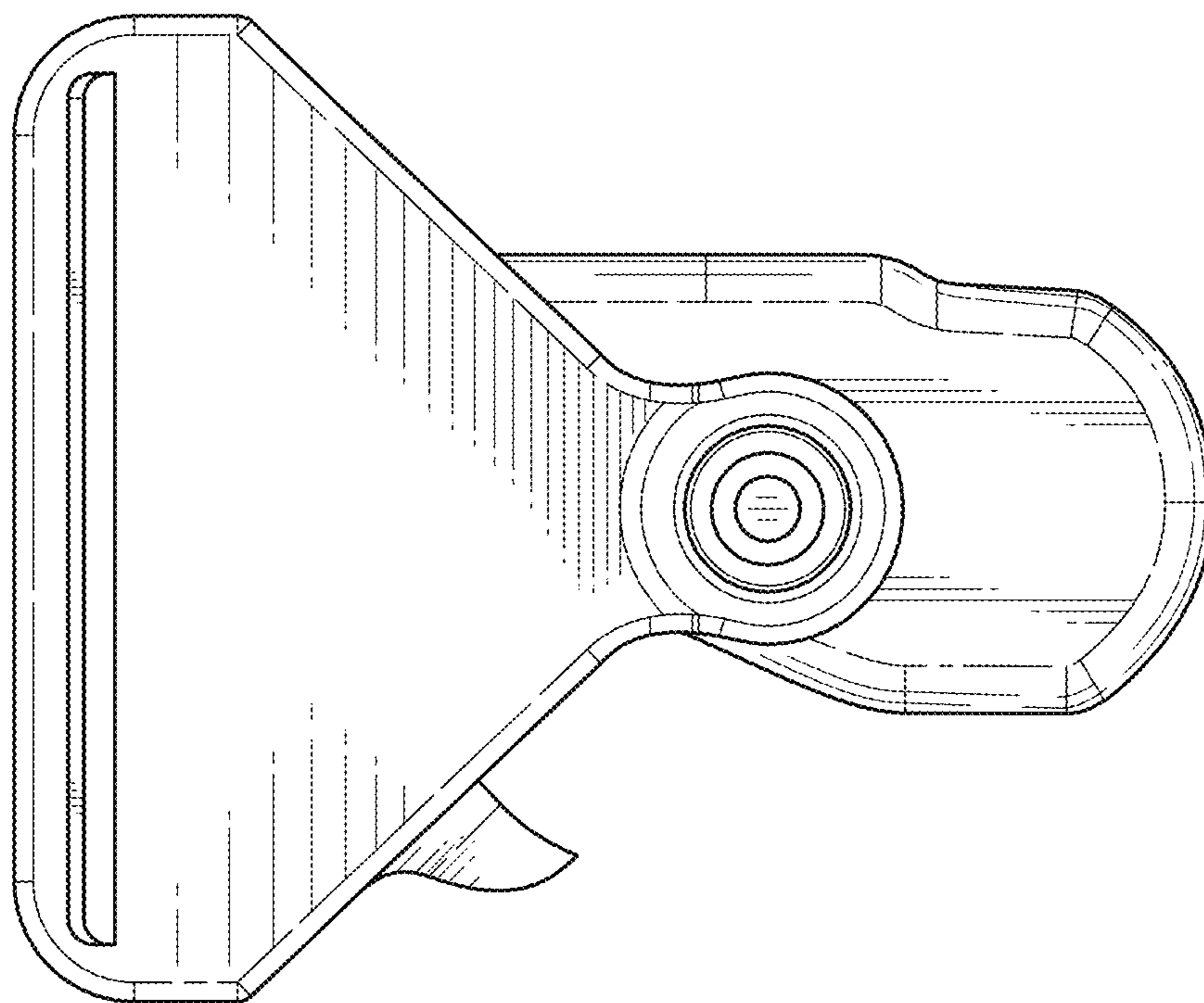


FIG. 17