



US00D797330S

(12) **United States Design Patent** (10) **Patent No.:** **US D797,330 S**
Katou et al. (45) **Date of Patent:** **** Sep. 12, 2017**

(54) **REAR COMBINATION LAMP FOR A MOTOR VEHICLE**

(56) **References Cited**

(71) Applicants: **Hiroki Katou**, Toyota (JP); **Kenji Kido**, Toyota (JP); **Noriaki Takemasa**, Nagoya (JP); **Takanori Watanabe**, Tokyo-to (JP); **Hideo Miwa**, Toyota (JP)

U.S. PATENT DOCUMENTS

D632,812 S *	2/2011	Matsumoto	D26/28
D695,935 S *	12/2013	Ueda	D26/28
D702,381 S *	4/2014	Katou	D26/28
D736,439 S *	8/2015	Kamiura	D26/28
D741,523 S *	10/2015	Sugimoto	D26/28
D750,300 S *	2/2016	Frascella	D26/28
D754,894 S *	4/2016	Wheel	D26/28
D756,004 S *	5/2016	Kong	D26/28
D761,457 S *	7/2016	Davidson	D26/28
D774,223 S *	12/2016	Lim	D26/28
D775,389 S *	12/2016	Tsai	D26/28
D776,312 S *	1/2017	Han	D26/28

(72) Inventors: **Hiroki Katou**, Toyota (JP); **Kenji Kido**, Toyota (JP); **Noriaki Takemasa**, Nagoya (JP); **Takanori Watanabe**, Tokyo-to (JP); **Hideo Miwa**, Toyota (JP)

OTHER PUBLICATIONS

(73) Assignee: **Toyota Jidosha Kabushiki Kaisha**, Toyota-shi, Aichi-ken (JP)

Catalog of MIRAI; Publisher: Toyota; Model: Toyota MIRAI; Mfg.: Toyota; Publication Date: Dec. 15, 2014.

(**) Term: **15 Years**

(Continued)

(21) Appl. No.: **29/552,395**

Primary Examiner — Angela J Lee
(74) *Attorney, Agent, or Firm* — Finnegan, Henderson, Farabow, Garrett & Dunner, L.L.P.

(22) Filed: **Jan. 21, 2016**

(57) **CLAIM**

(30) **Foreign Application Priority Data**

The ornamental design for a rear combination lamp for a motor vehicle, as shown and described.

Jul. 23, 2015 (JP) 2015-016442

DESCRIPTION

(51) **LOC (10) Cl.** **26-07**

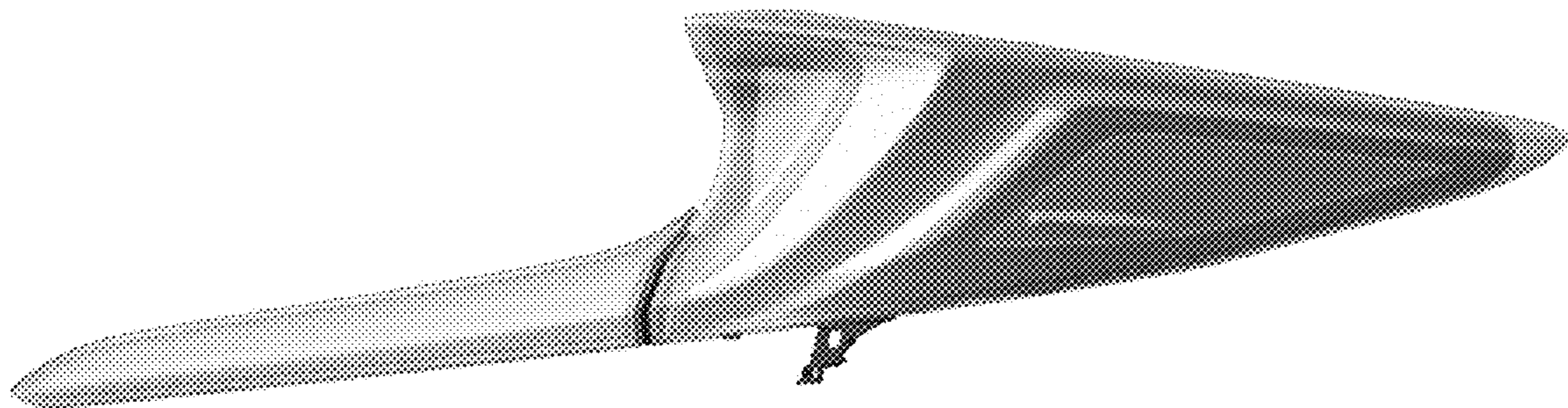
(52) **U.S. Cl.**
USPC **D26/28**

(58) **Field of Classification Search**
USPC D26/28-36; 362/459-468, 475-478, 362/485-487
CPC F21S 48/00; F21S 48/10; F21S 48/115; F21S 48/225; F21S 48/1233; F21S 48/1266; F21S 48/1388; F21S 48/2268; F21V 21/04

FIG. 1 is a front perspective view of a rear combination lamp for a motor vehicle showing our new design;
FIG. 2 is a front view thereof;
FIG. 3 is a rear view thereof;
FIG. 4 is a right side view thereof;
FIG. 5 is a left side view thereof;
FIG. 6 is a top view thereof; and,
FIG. 7 is a bottom view thereof.
Our design includes a mirror image of the embodiment depicted.

See application file for complete search history.

1 Claim, 7 Drawing Sheets



(56)

References Cited

OTHER PUBLICATIONS

Catalog of Prius; Publisher: Toyota; Model: Toyota Prius (Third generation); Mfg.: Toyota; Publication Date: Nov. 1, 2011.
Response.jp; URL: <http://response.jp/article/img/2015/01/13/241462/818275.html>; Model: Honda NSX; Mfg.: Honda; available on at least Jan. 13, 2015.

* cited by examiner

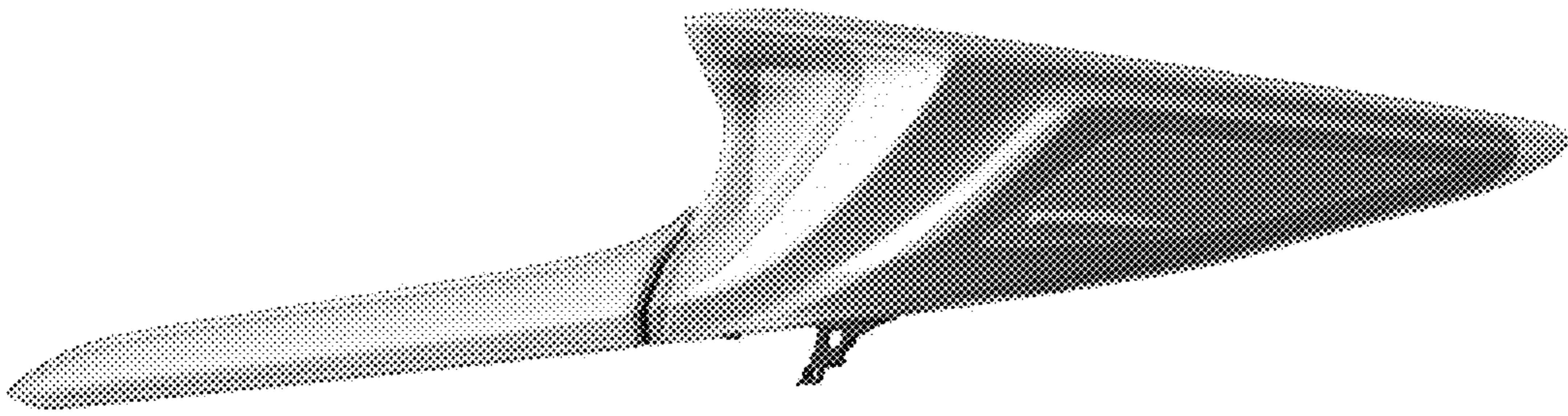


FIG. 1

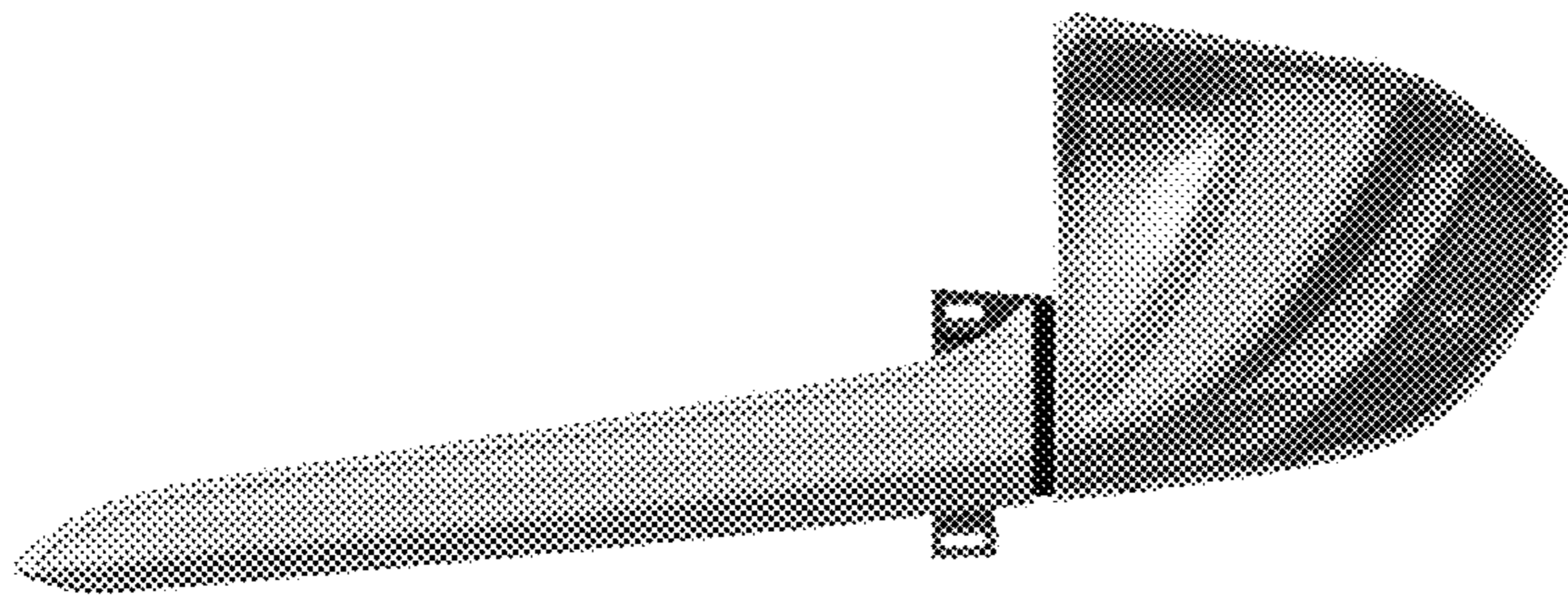


FIG. 2

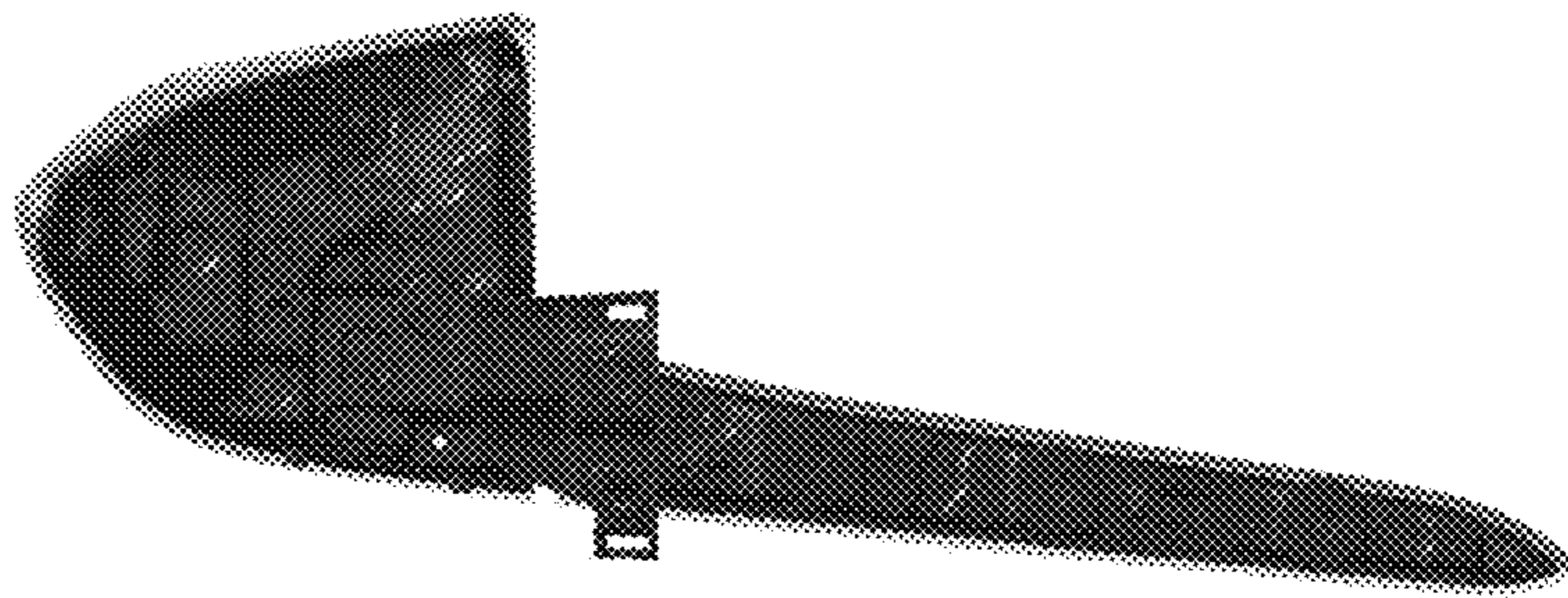


FIG. 3

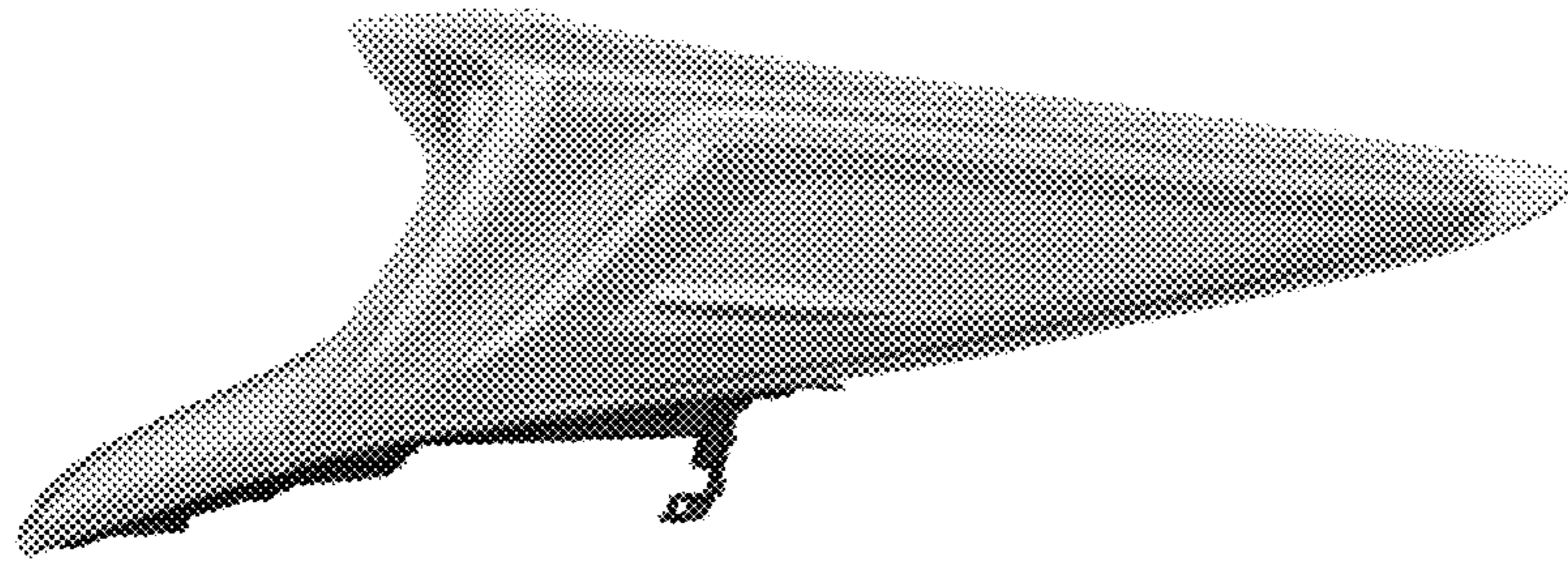


FIG. 4

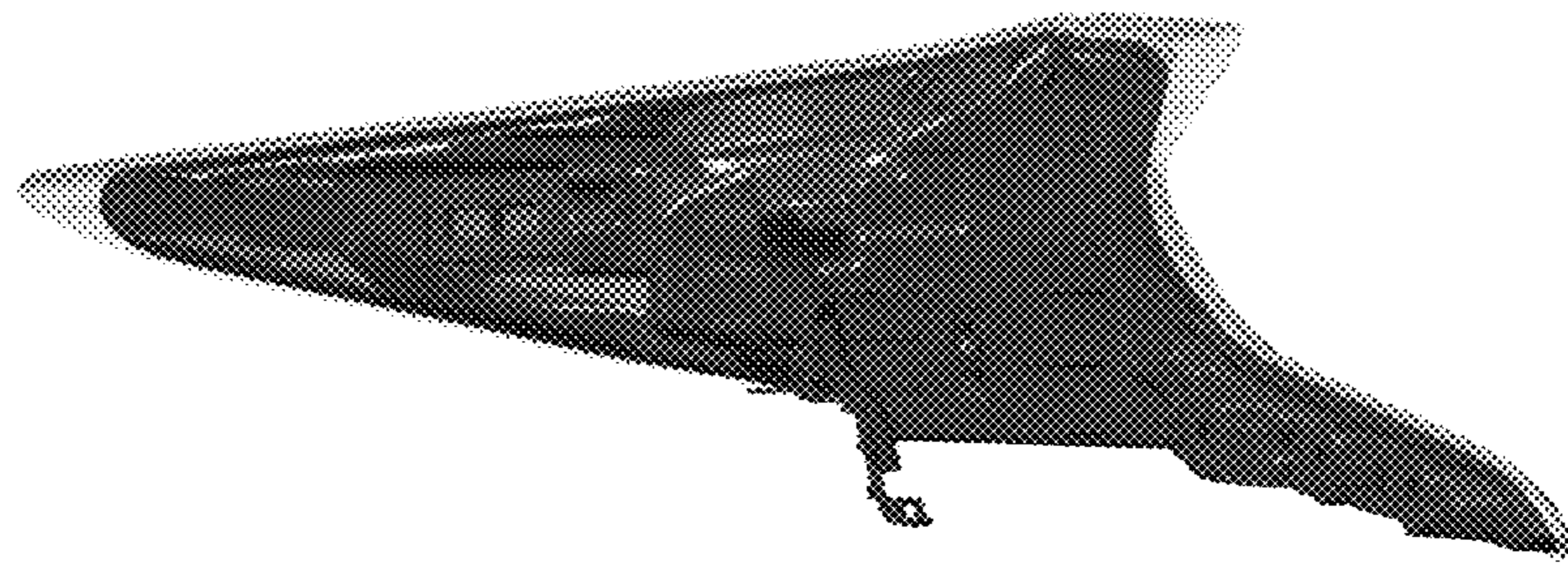


FIG. 5

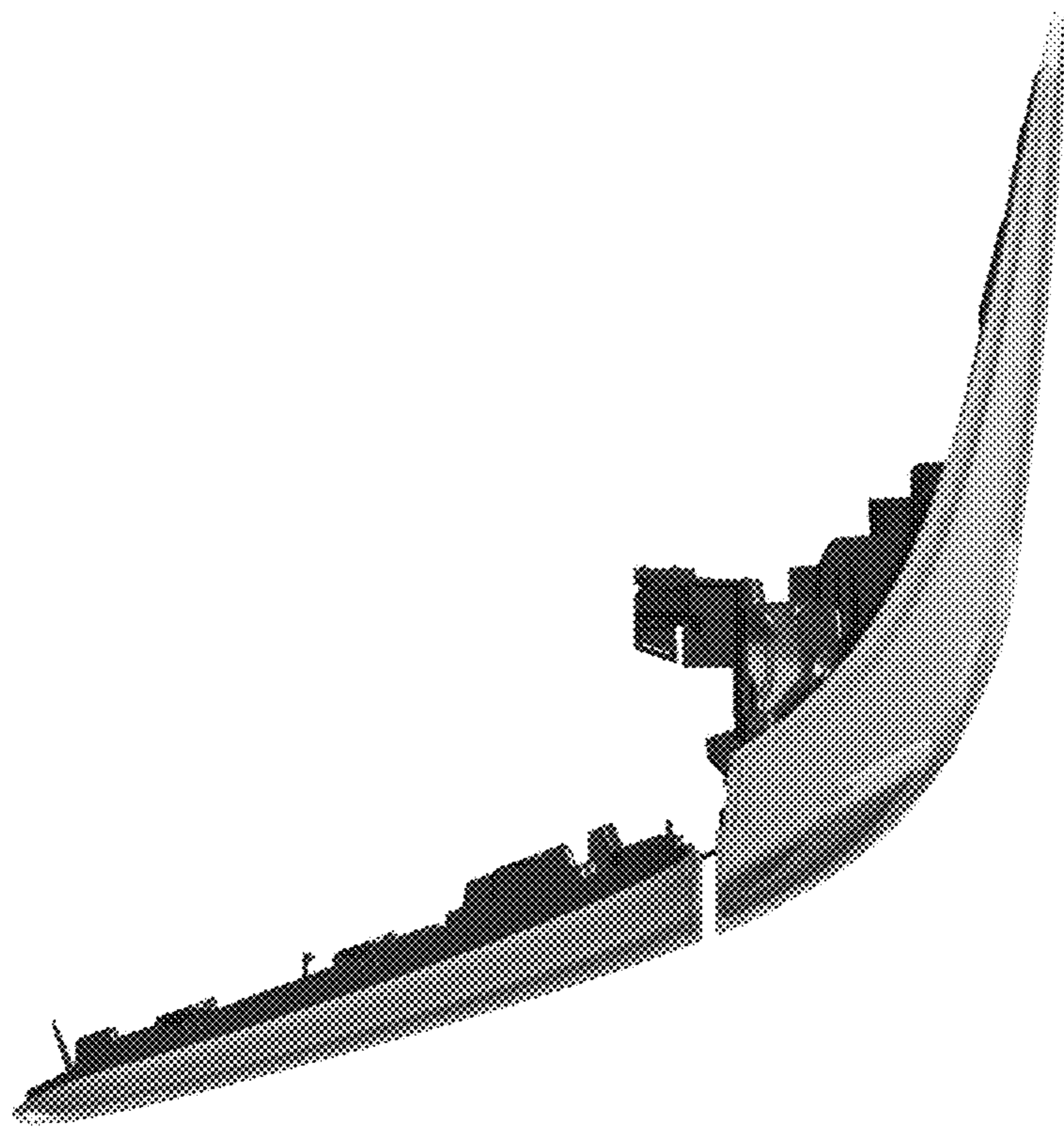


FIG. 6

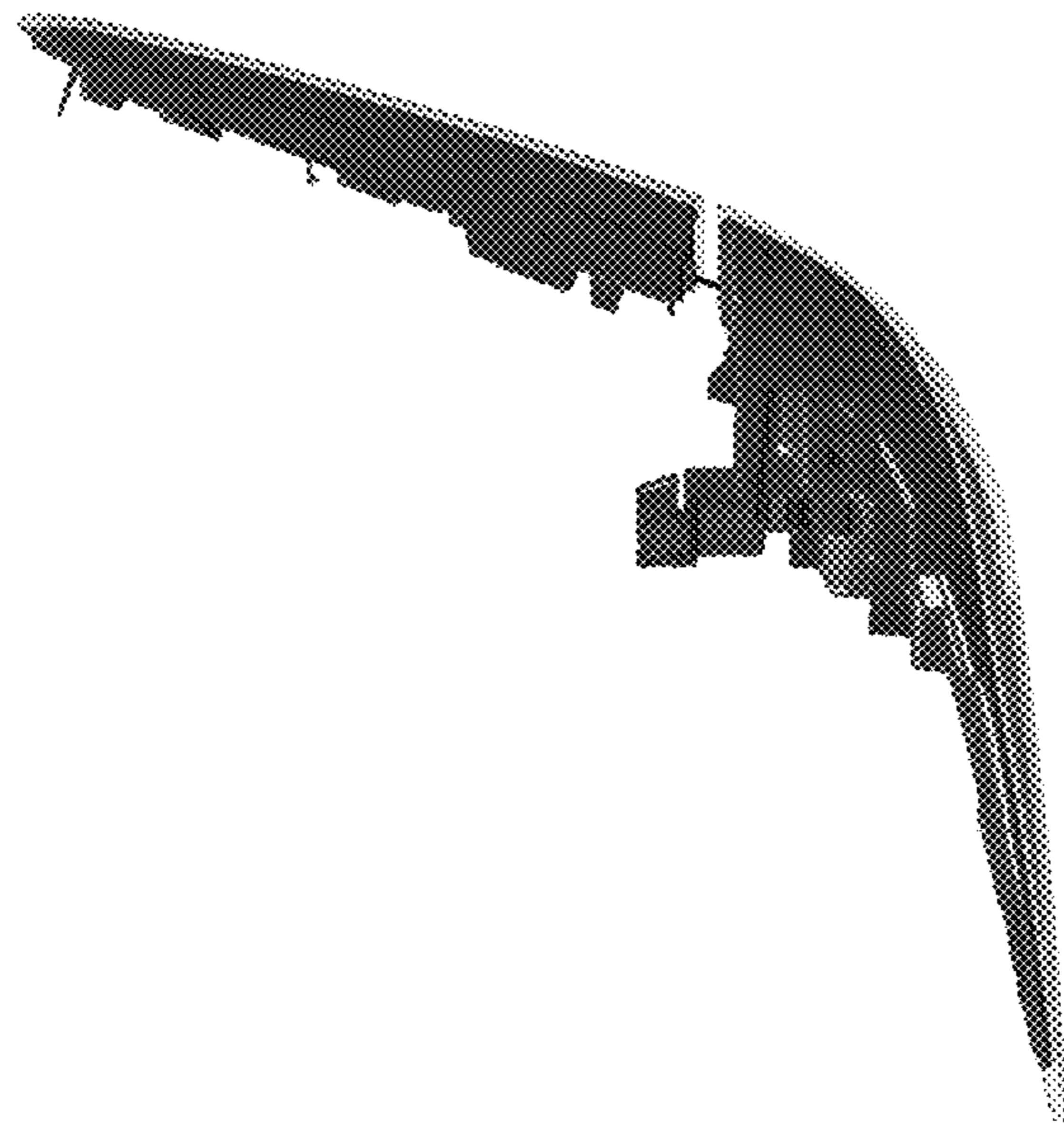


FIG. 7

UNITED STATES PATENT AND TRADEMARK OFFICE
CERTIFICATE OF CORRECTION

PATENT NO. : D797,330 S
APPLICATION NO. : 29/552395
DATED : September 12, 2017
INVENTOR(S) : Hiroki Katou et al.

Page 1 of 1

It is certified that error appears in the above-identified patent and that said Letters Patent is hereby corrected as shown below:

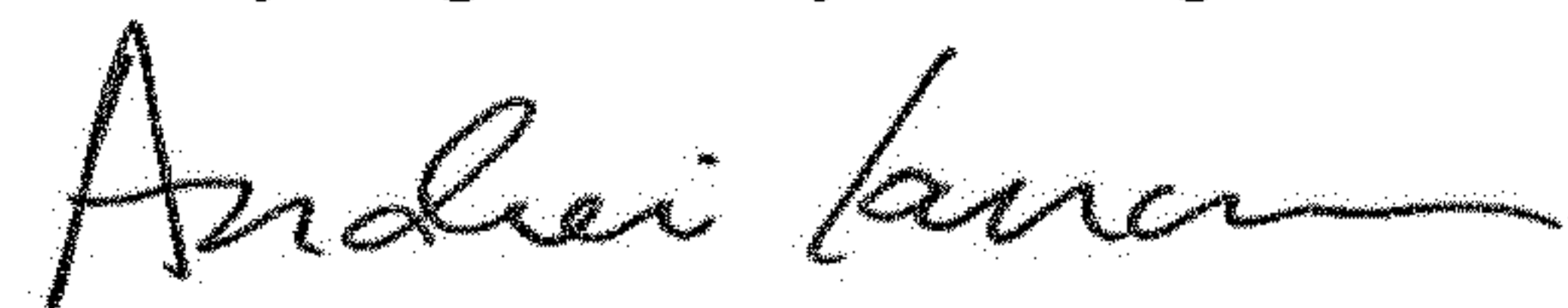
On the Title Page

Item (73), the assignee information should be corrected to read as follows:

Assignee:

Toyota Jidosha Kabushiki Kaisha, Toyota-shi, Aichi-ken, Japan (JP) and Ichikoh Industries, LTD., Isehara-shi, Kanagawa-ken, Japan (JP)

Signed and Sealed this
Twenty-eighth Day of August, 2018



Andrei Iancu
Director of the United States Patent and Trademark Office