



US00D797329S

(12) **United States Design Patent**  
**Deyaf et al.**

(10) **Patent No.:** **US D797,329 S**  
(45) **Date of Patent:** **\*\* Sep. 12, 2017**

(54) **LIGHT BAR OPTICAL LENS**  
(71) Applicant: **SpeedTech Lights Inc.**, Buda, TX (US)  
(72) Inventors: **Malik Deyaf**, Buda, TX (US); **Mostafa Abdallah**, Buda, TX (US)  
(73) Assignee: **SpeedTech Lights, Inc.**, Buda, TX (US)  
(\*\*) Term: **15 Years**

3,798,444 A \* 3/1974 Brudy ..... F21V 5/00  
362/328  
D316,460 S \* 4/1991 Neece ..... D26/120  
5,436,813 A \* 7/1995 Gonzalez ..... B60Q 1/26  
362/216  
D407,168 S \* 3/1999 Arakelian ..... D26/28  
7,497,606 B1 \* 3/2009 Tsai ..... B60Q 1/2607  
362/516  
D627,672 S \* 11/2010 Shin ..... D10/114.1  
D735,910 S \* 8/2015 Chang ..... D26/28  
D771,304 S \* 11/2016 Goltche ..... D26/120  
2006/0067085 A1 \* 3/2006 Sassoon ..... B60Q 1/32  
362/522

(21) Appl. No.: **29/551,061**  
(22) Filed: **Jan. 10, 2016**  
(51) **LOC (10) Cl.** ..... **26-06**  
(52) **U.S. Cl.**  
USPC ..... **D26/28**  
(58) **Field of Classification Search**  
USPC ..... D26/28, 30, 89, 120; D10/111, 114.1,  
D10/114.3  
CPC .. F21S 48/2206; F21S 48/2212; F21S 48/215;  
F21S 48/218; F21S 48/20; F21S 48/22;  
F21S 48/2281; F21V 5/00; B60Q 1/04;  
B60Q 1/26; B60Q 1/32; B60Q 1/2615;  
B60Q 1/2607  
See application file for complete search history.

\* cited by examiner

*Primary Examiner* — Clare E Heflin

(57) **CLAIM**

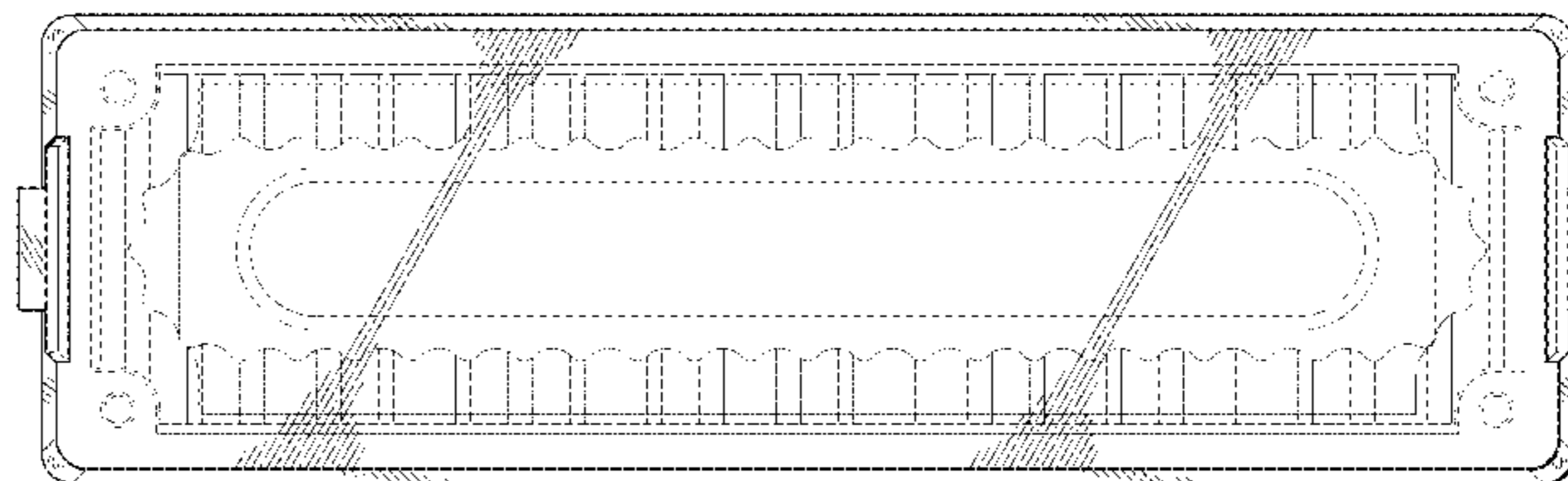
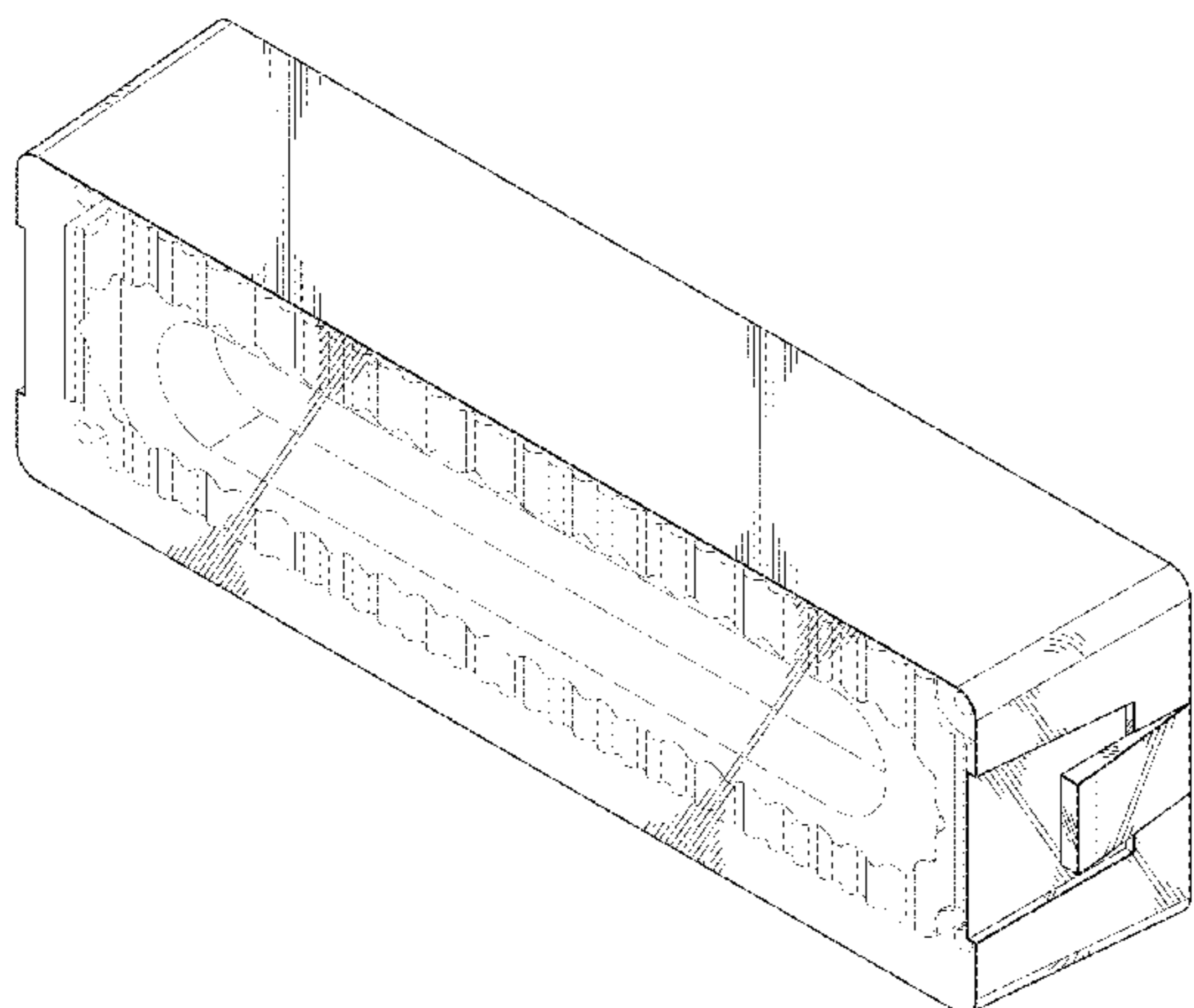
The ornamental design for a light bar optical lens, as shown and described.

**DESCRIPTION**

FIG. 1 is a perspective view of a light bar optical lens showing our new design;  
FIG. 2 is a front view thereof;  
FIG. 3 is a back view thereof;  
FIG. 4 is a right side view thereof;  
FIG. 5 is a left side view thereof;  
FIG. 6 is a top plan view thereof; and,  
FIG. 7 is a bottom plan view thereof.  
The broken line portions in FIGS. 1-7 are included to show unclaimed subject matter only and form no part of the claimed design.

(56) **References Cited**  
U.S. PATENT DOCUMENTS  
D147,577 S \* 9/1947 Cadwallader ..... D26/120  
2,601,127 A \* 6/1952 Rosenstein ..... F21V 3/00  
359/595  
3,569,961 A \* 3/1971 Ricard ..... F21V 5/02  
116/202

**1 Claim, 5 Drawing Sheets**



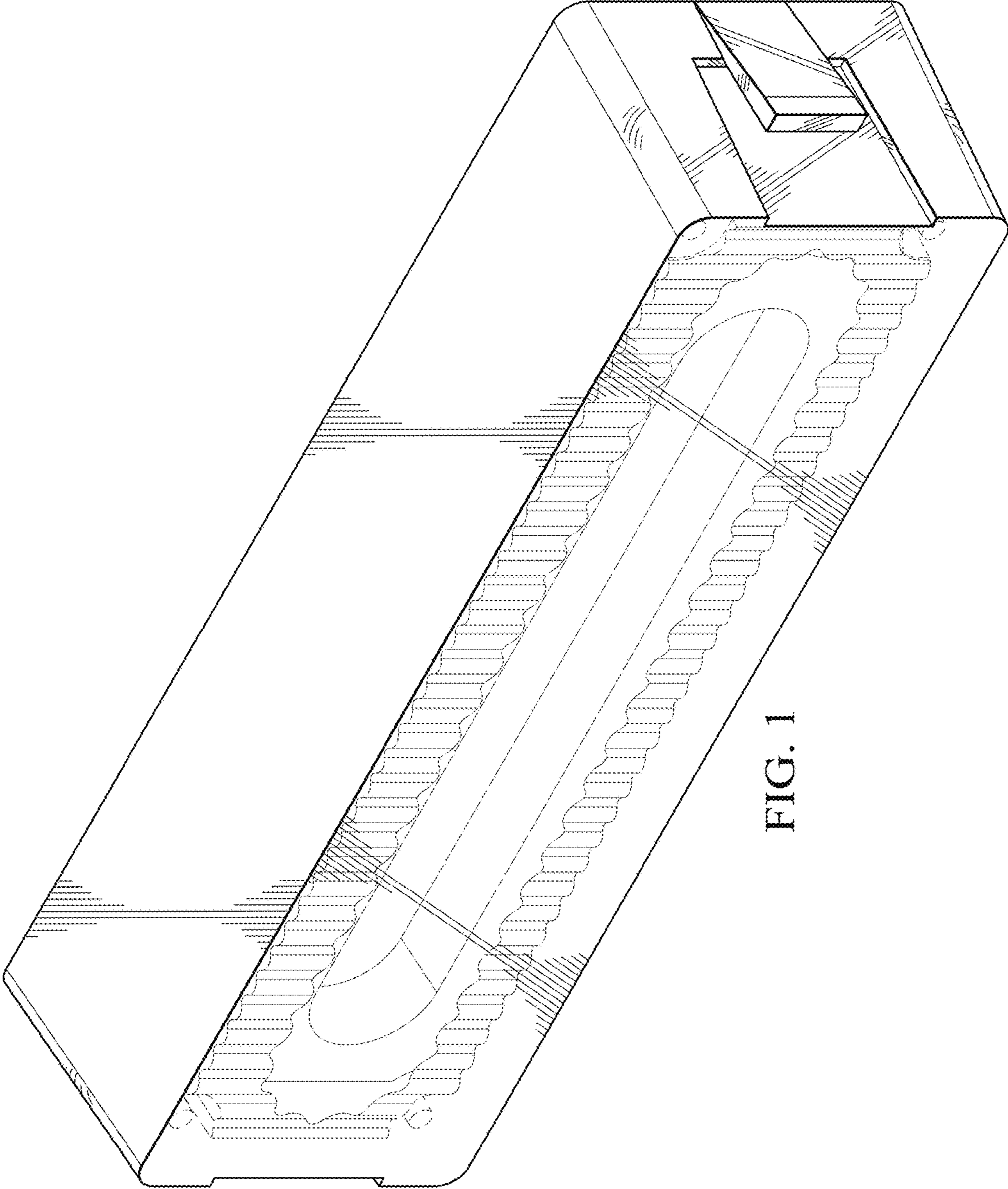


FIG. 1

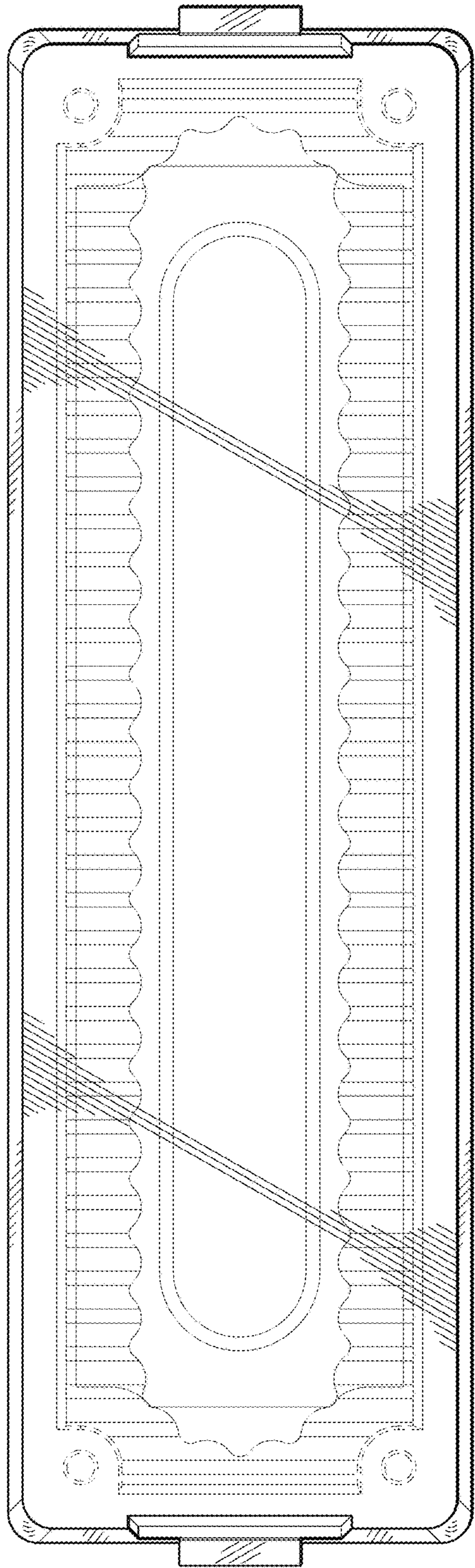


FIG. 2

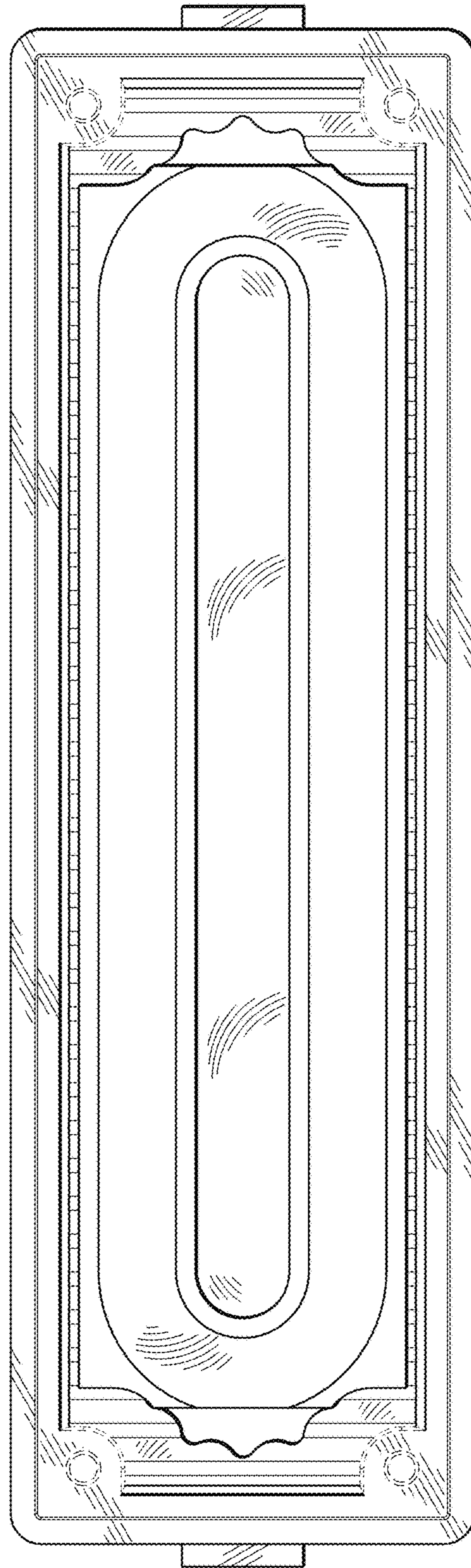


FIG. 3

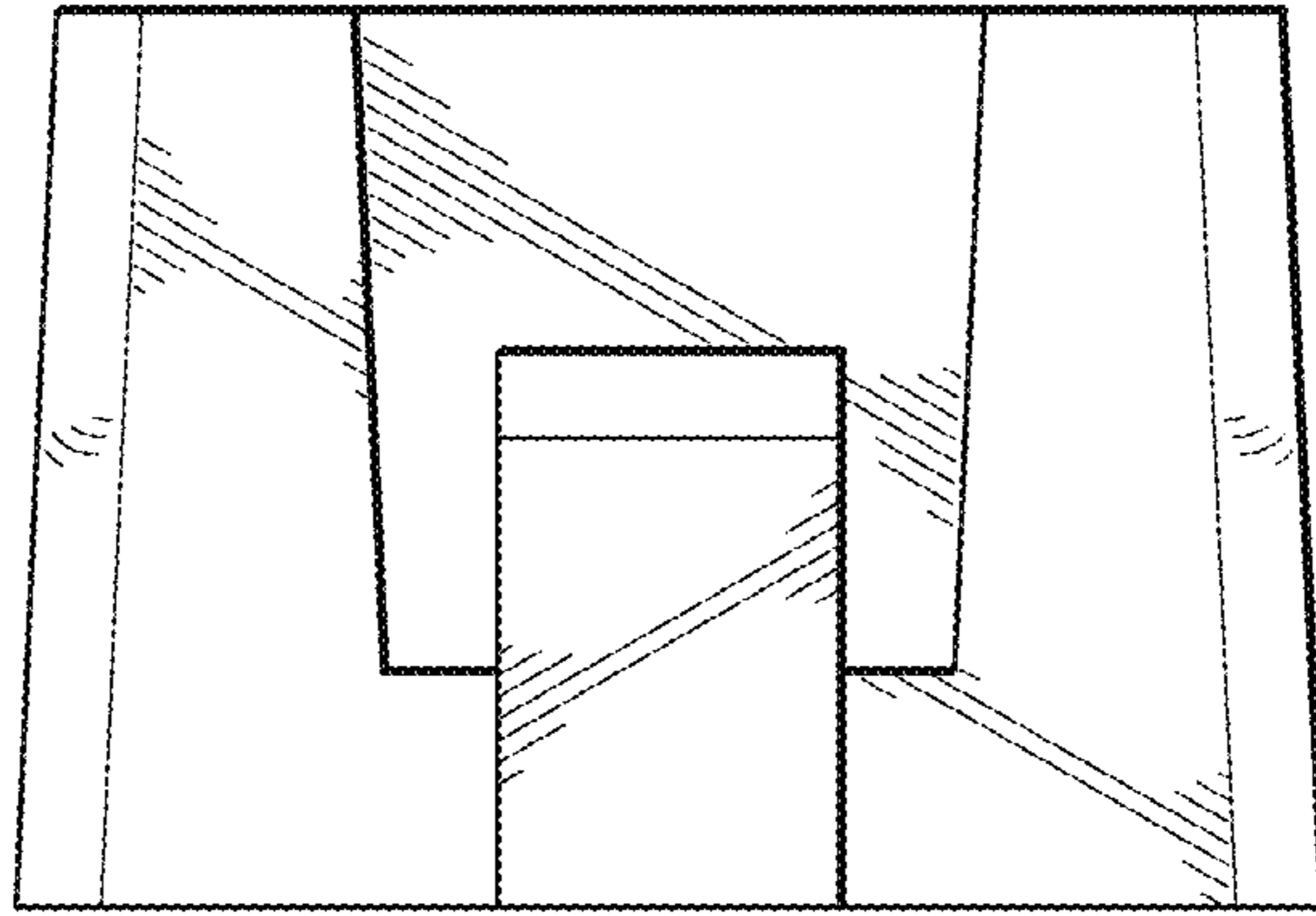


FIG. 5

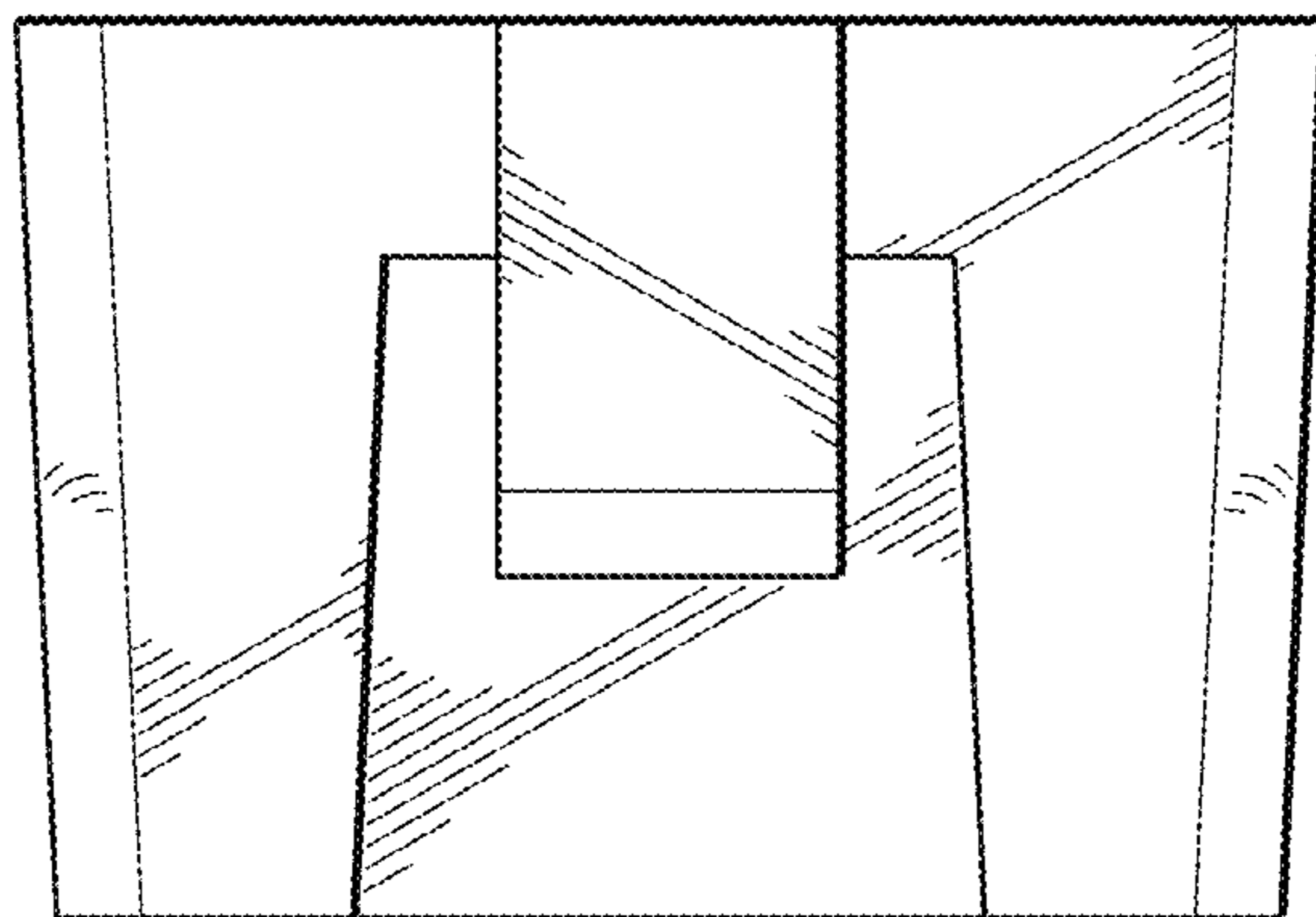


FIG. 4

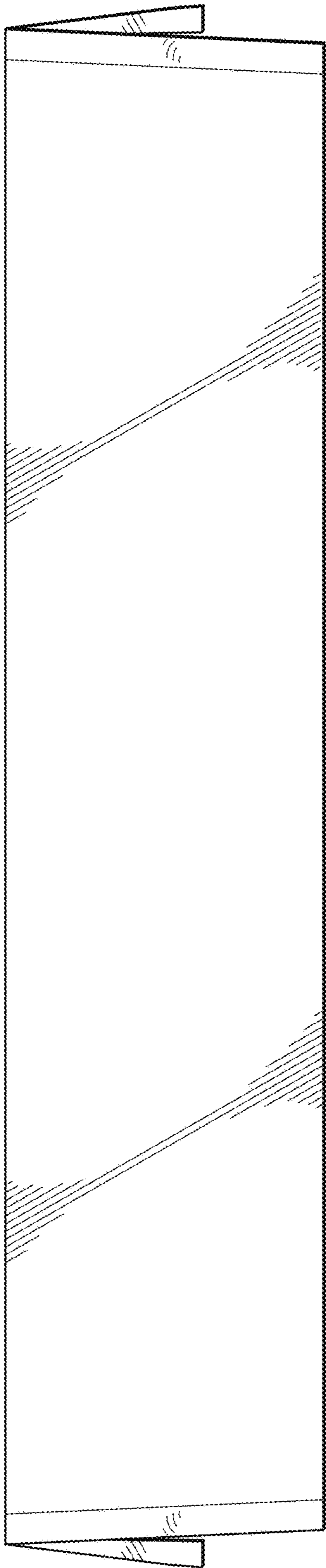


FIG. 6

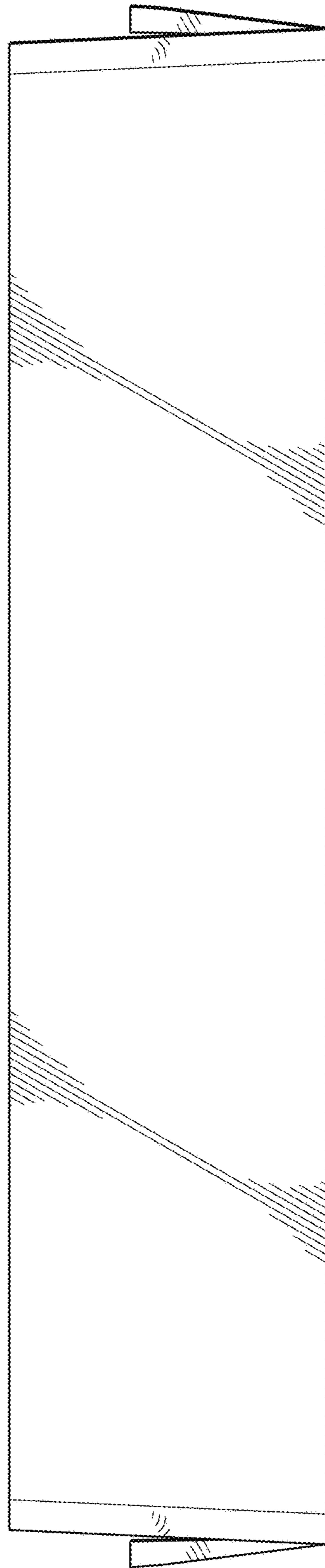


FIG. 7