

US00D797328S

(12) **United States Design Patent**
Deyaf et al.

(10) **Patent No.:** **US D797,328 S**
(45) **Date of Patent:** **** Sep. 12, 2017**

- (54) **LIGHT BAR OPTICAL LENS**
- (71) Applicant: **SpeedTech Lights Inc.**, Buda, TX (US)
- (72) Inventors: **Malik Deyaf**, Buda, TX (US); **Mostafa Abdallah**, Buda, TX (US)
- (73) Assignee: **SpeedTech Lights, Inc.**, Buda, TX (US)
- (**) Term: **15 Years**
- (21) Appl. No.: **29/551,060**
- (22) Filed: **Jan. 10, 2016**
- (51) **LOC (10) Cl.** **26-06**
- (52) **U.S. Cl.**
USPC **D26/28**
- (58) **Field of Classification Search**
USPC D26/28, 30, 89, 120; D10/111, 114.1, D10/114.3
CPC .. F21S 48/2206; F21S 48/2212; F21S 48/215; F21S 48/218; F21S 48/20; F21S 48/22; F21S 48/2281; F21V 5/00; B60Q 1/04; B60Q 1/26; B60Q 1/32; B60Q 1/2615; B60Q 1/2607
See application file for complete search history.

3,798,444 A *	3/1974	Brudy	F21V 5/00	362/328
D316,460 S *	4/1991	Neece	D26/120	
5,436,813 A *	7/1995	Gonzalez	B60Q 1/26	362/216
D407,168 S *	3/1999	Arakelian	D26/28	
7,497,606 B1 *	3/2009	Tsai	B60Q 1/2607	362/516
D627,672 S *	11/2010	Shin	D10/114.1	
D681,261 S *	4/2013	Miyatake	D26/120	
D735,910 S *	8/2015	Chang	D26/28	
D740,471 S *	10/2015	Yu	D26/28	
D771,304 S *	11/2016	Goltche	D26/120	
2006/0067085 A1 *	3/2006	Sassoon	B60Q 1/32	362/522

* cited by examiner

Primary Examiner — Clare E Heflin

(56) **References Cited**

U.S. PATENT DOCUMENTS

D147,577 S *	9/1947	Cadwallader	D26/120
2,601,127 A *	6/1952	Rosenstein	F21V 3/00
				359/595
3,569,961 A *	3/1971	Ricard	F21V 5/02
				116/202

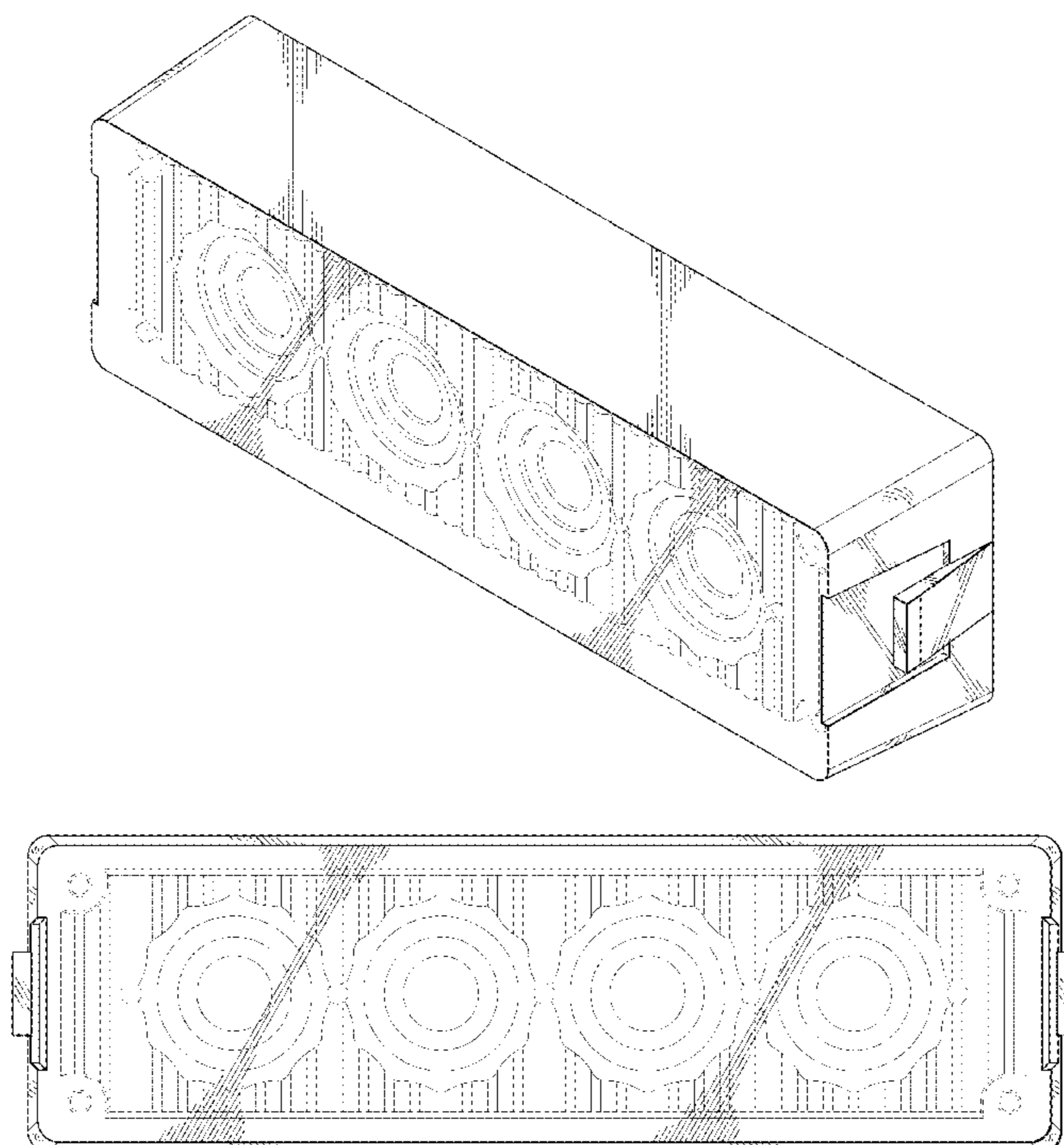
(57) **CLAIM**

The ornamental design for a light bar optical lens, as shown and described.

DESCRIPTION

FIG. 1 is a perspective view of a light bar optical lens showing our new design;
 FIG. 2 is a front view thereof;
 FIG. 3 is a back view thereof;
 FIG. 4 is a right side view thereof;
 FIG. 5 is a left side view thereof;
 FIG. 6 is a top plan view thereof; and,
 FIG. 7 is a bottom plan view thereof.
 The broken line portions in FIGS. 1-7 are included to show unclaimed subject matter only and form no part of the claimed design.

1 Claim, 6 Drawing Sheets



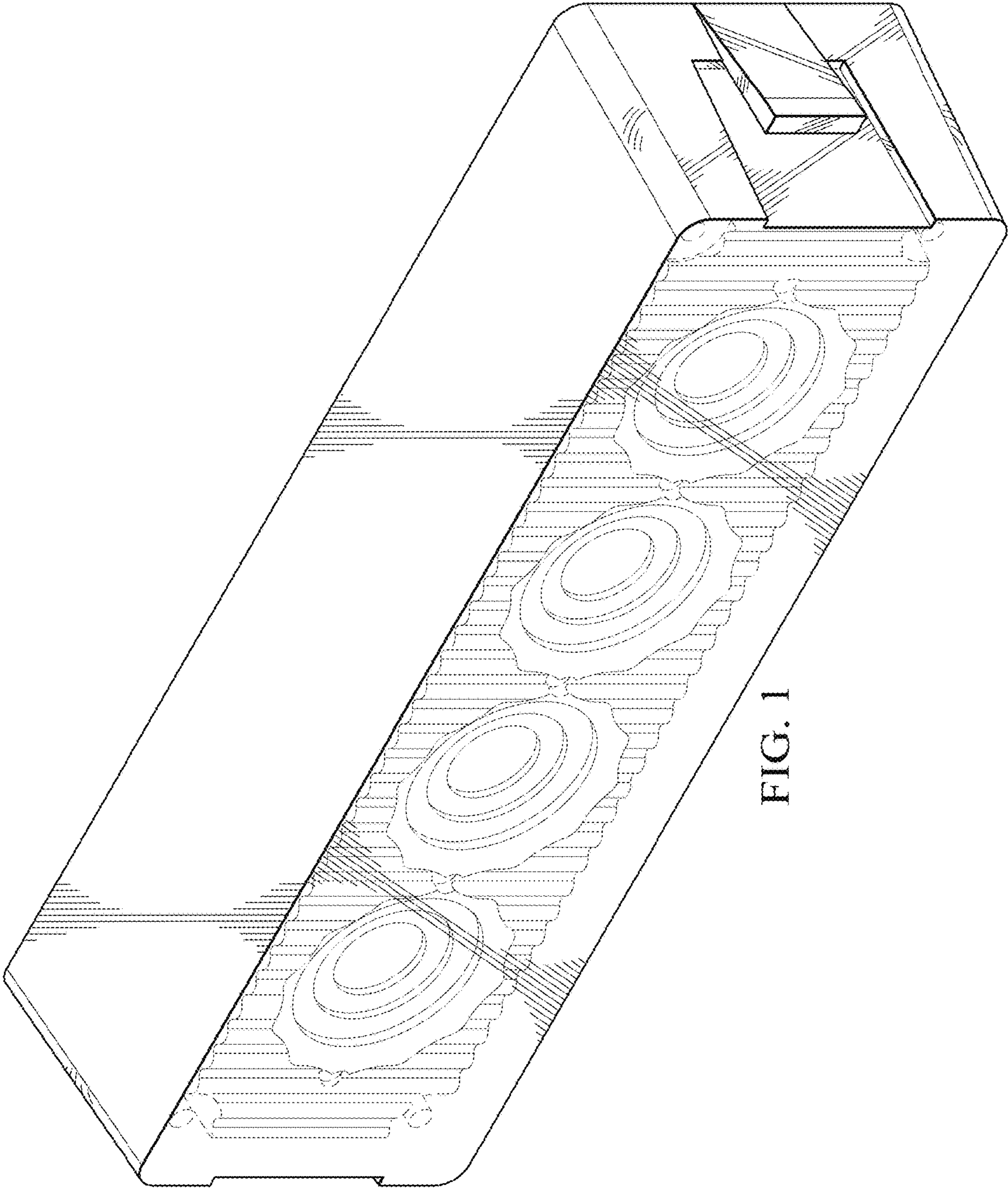


FIG. 1

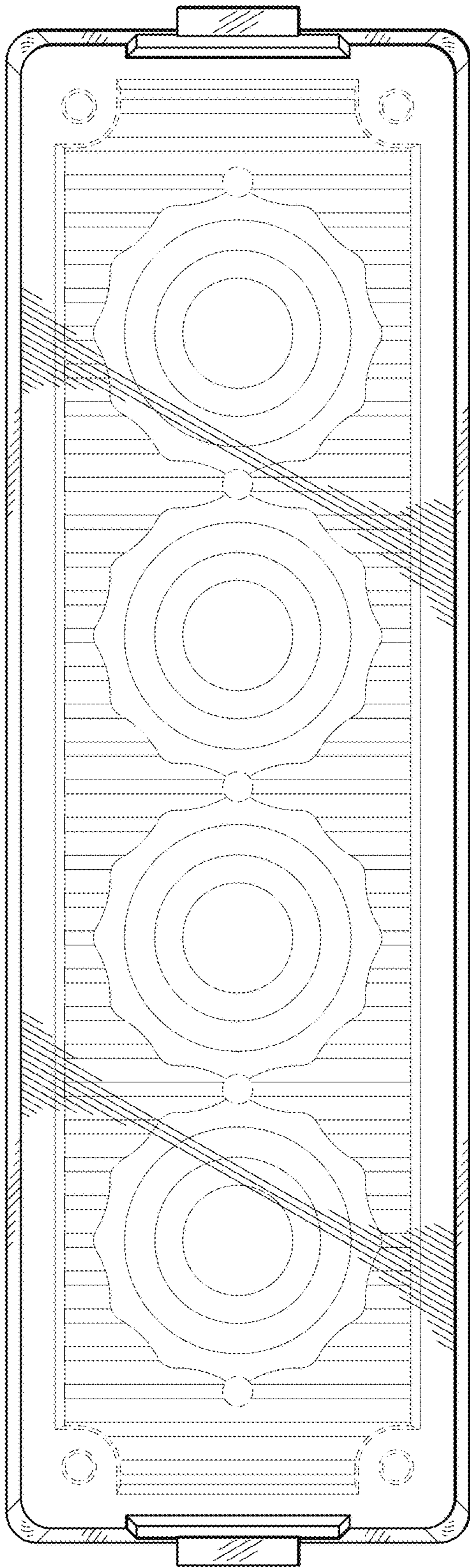


FIG. 2

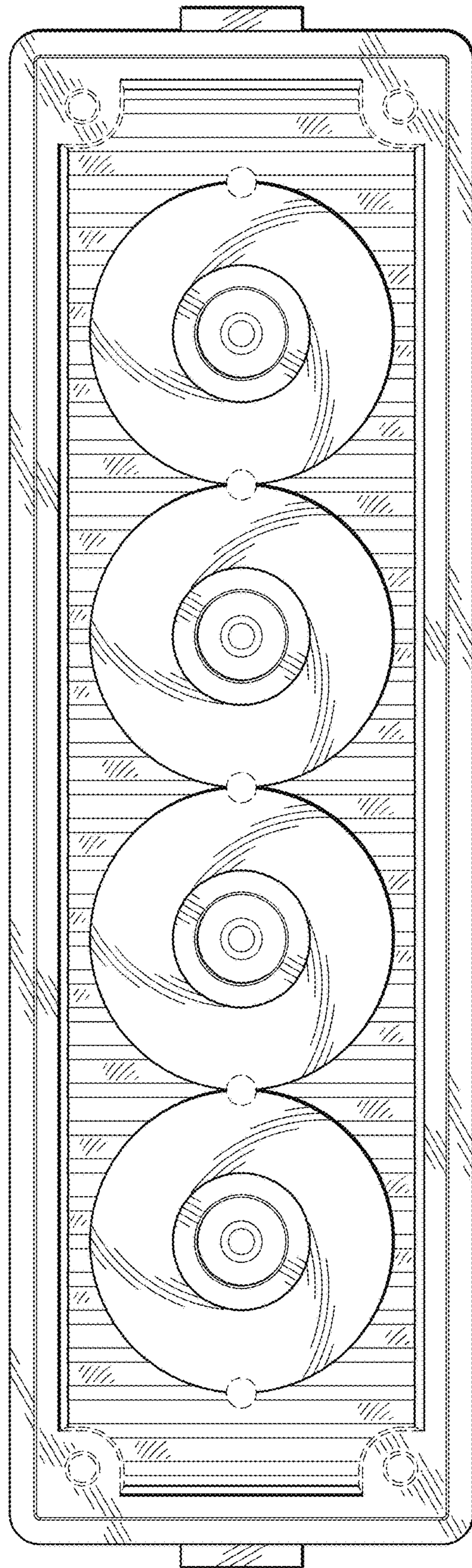


FIG. 3

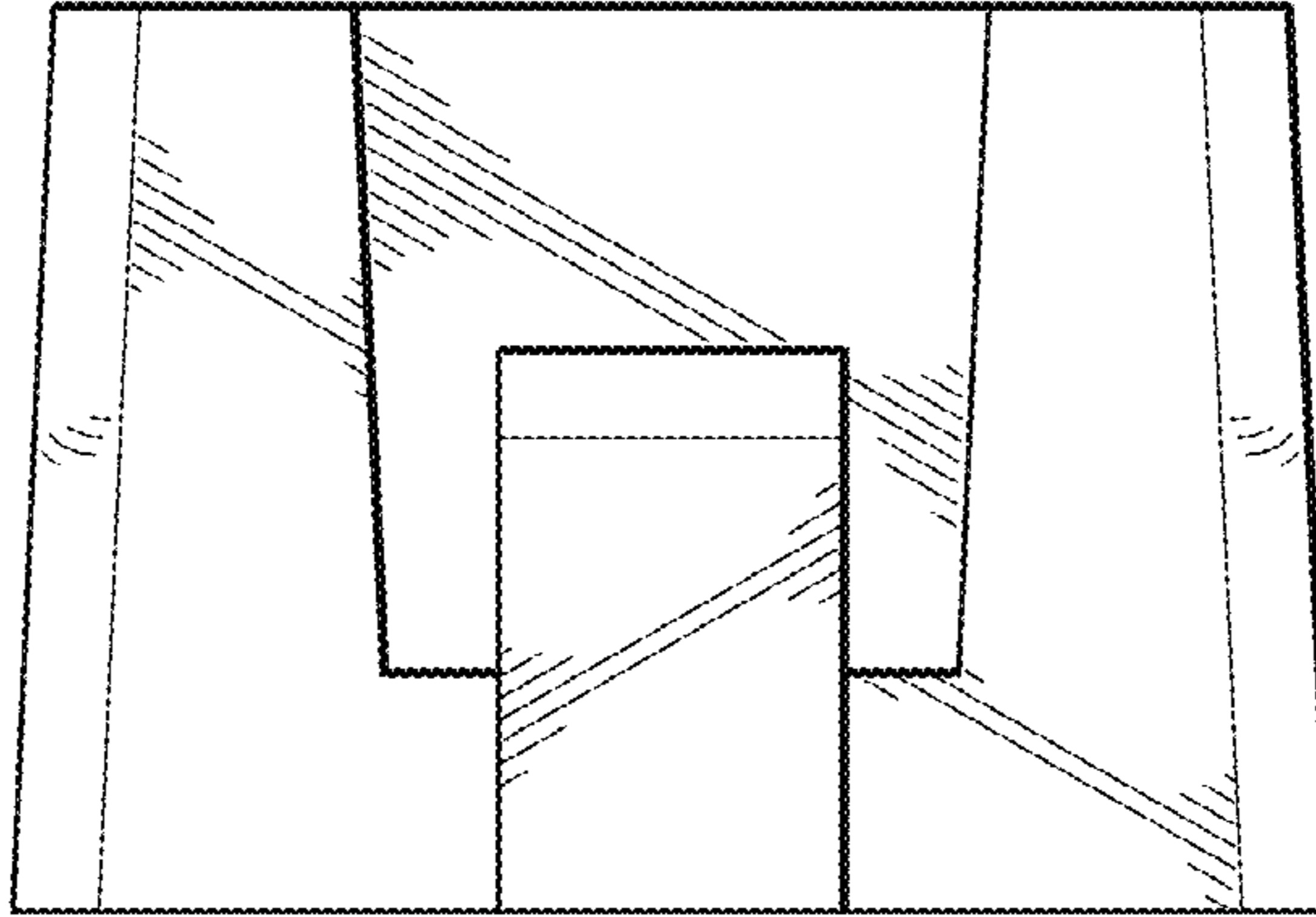


FIG. 5

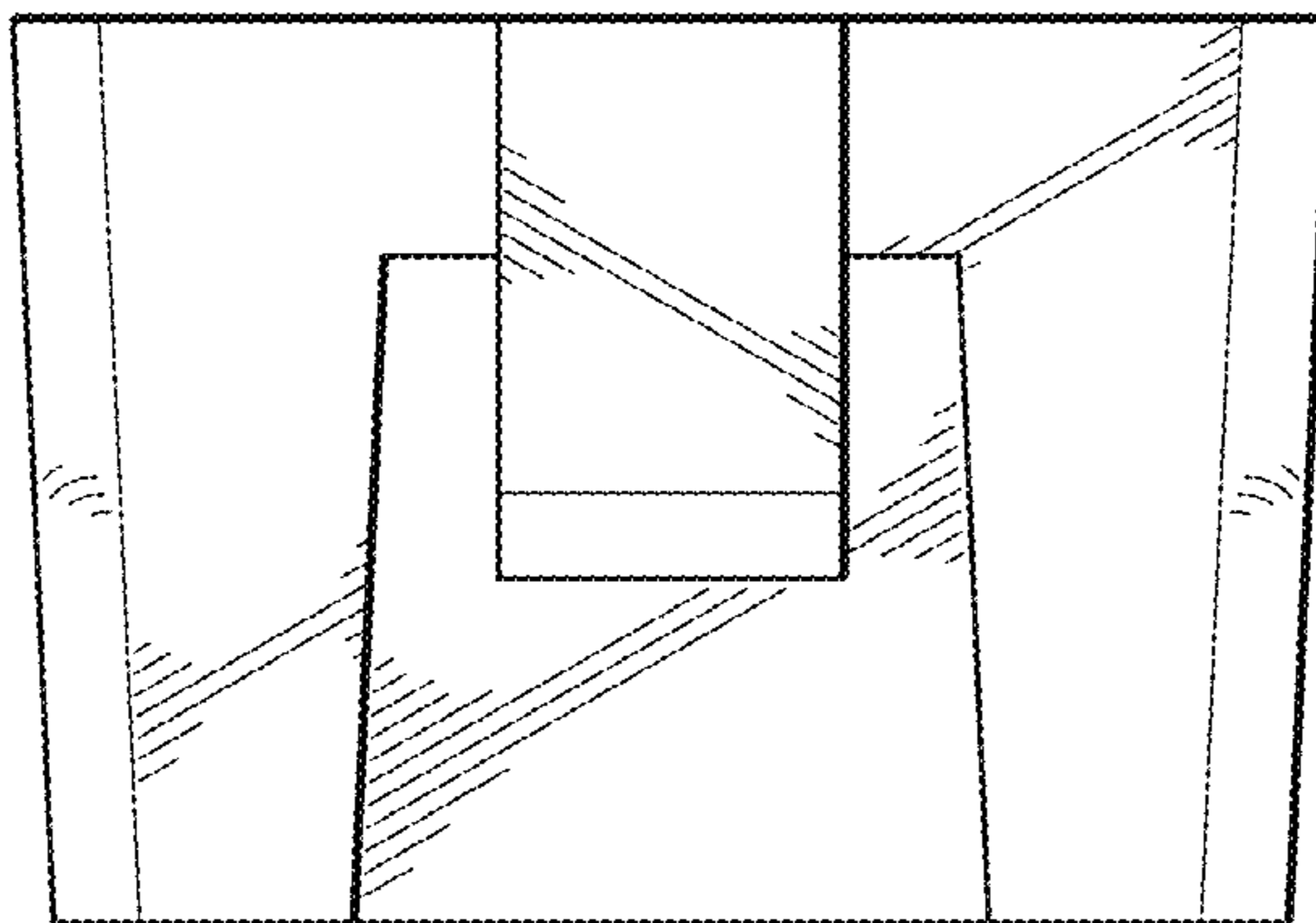


FIG. 4

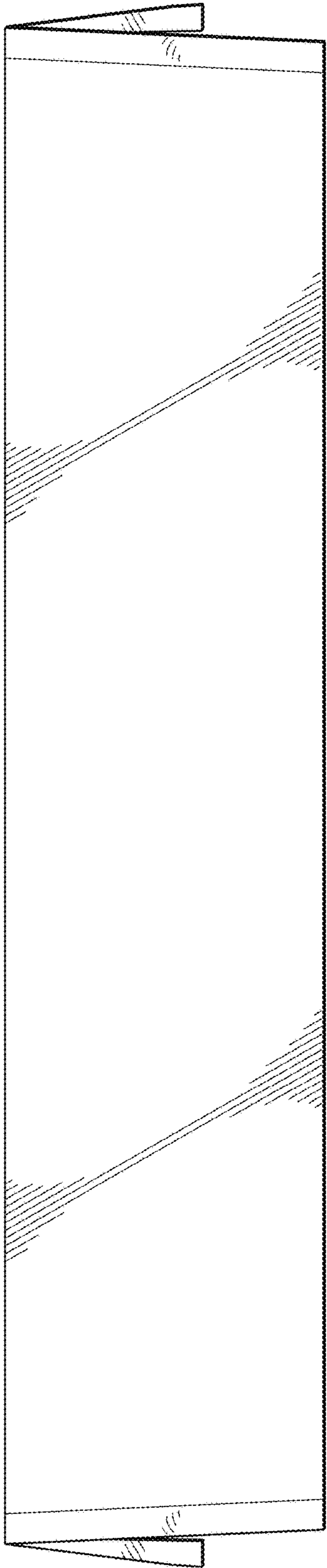


FIG. 6

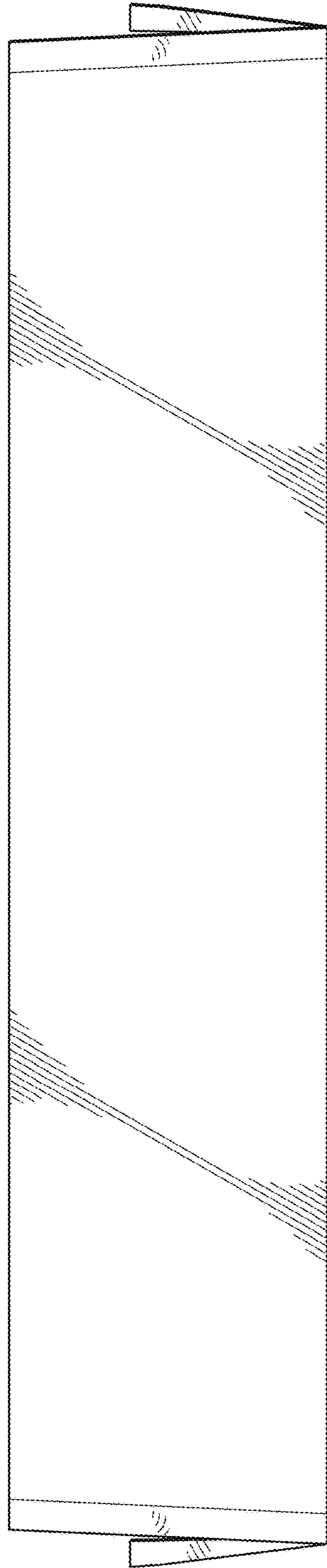


FIG. 7

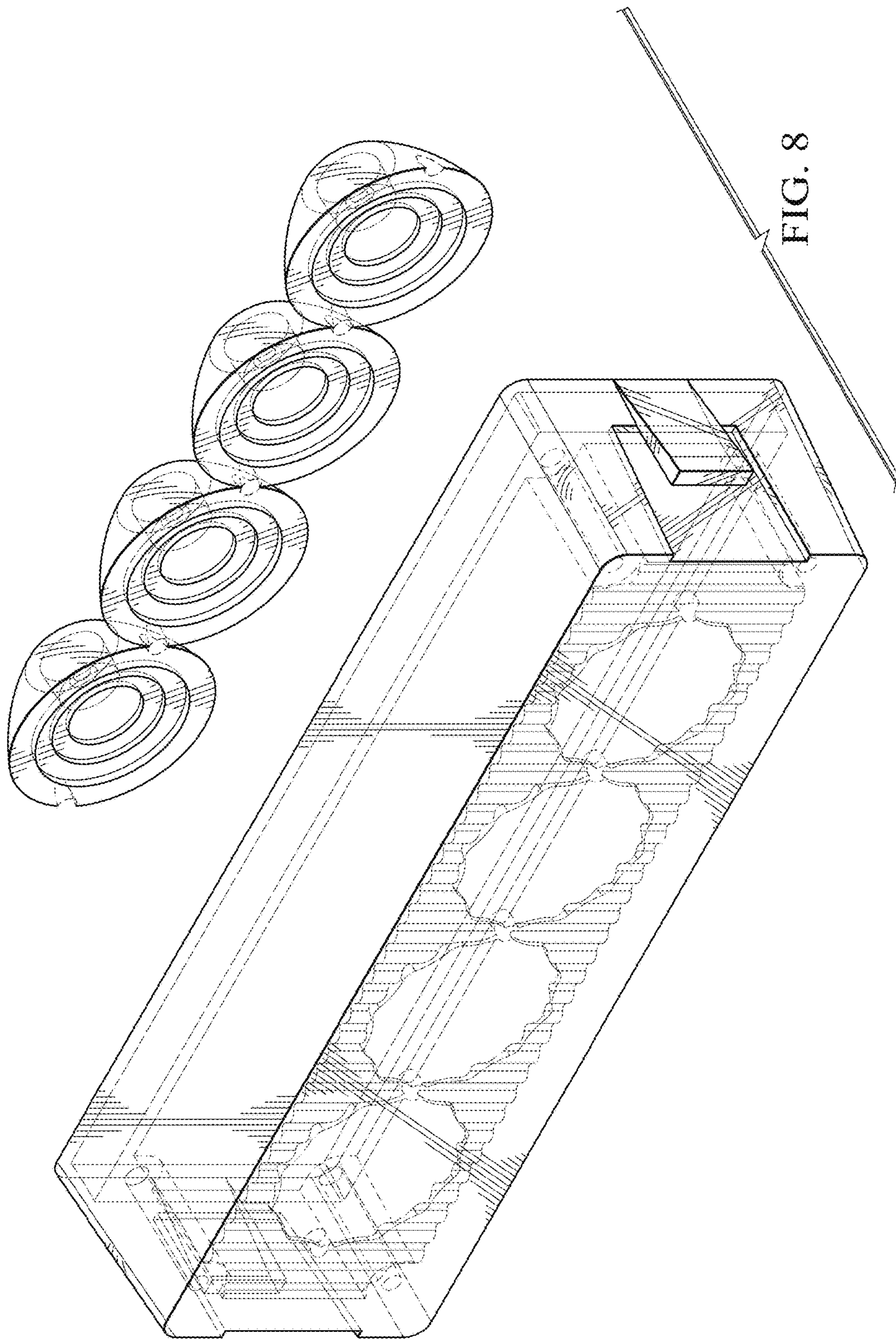


FIG. 8