



US00D797324S

(12) **United States Design Patent**
Lai

(10) **Patent No.:** **US D797,324 S**

(45) **Date of Patent:** **** Sep. 12, 2017**

(54) **AUTOMOBILE FRONT LIGHT**

(71) Applicant: **Ching-Tsung Lai**, Tainan (TW)

(72) Inventor: **Ching-Tsung Lai**, Tainan (TW)

(**) Term: **15 Years**

(21) Appl. No.: **29/534,443**

(22) Filed: **Jul. 28, 2015**

(51) **LOC (10) Cl.** **26-07**

(52) **U.S. Cl.**
USPC **D26/28**

(58) **Field of Classification Search**
USPC D26/28-36; 362/459-468, 475-478,
362/485-487
CPC F21S 48/00; F21S 48/10; F21S 48/115;
F21S 48/225; F21S 48/1233; F21S
48/1266; F21S 48/1388; F21S 48/2268;
F21V 21/04
See application file for complete search history.

(56) **References Cited**

U.S. PATENT DOCUMENTS

D586,019 S * 2/2009 Hsu D26/28
D674,938 S * 1/2013 Lai D26/28

D674,941 S * 1/2013 Lai D26/28
D691,298 S * 10/2013 Binder D26/28
D737,484 S * 8/2015 Lai D26/28
D743,071 S * 11/2015 Kao D26/28
D750,818 S * 3/2016 Lin D26/28
D751,737 S * 3/2016 Lai D26/28
D757,315 S * 5/2016 Binder D26/28
D761,463 S * 7/2016 Lai D26/28

* cited by examiner

Primary Examiner — Angela J Lee

(74) *Attorney, Agent, or Firm* — Alexander Chen

(57) **CLAIM**

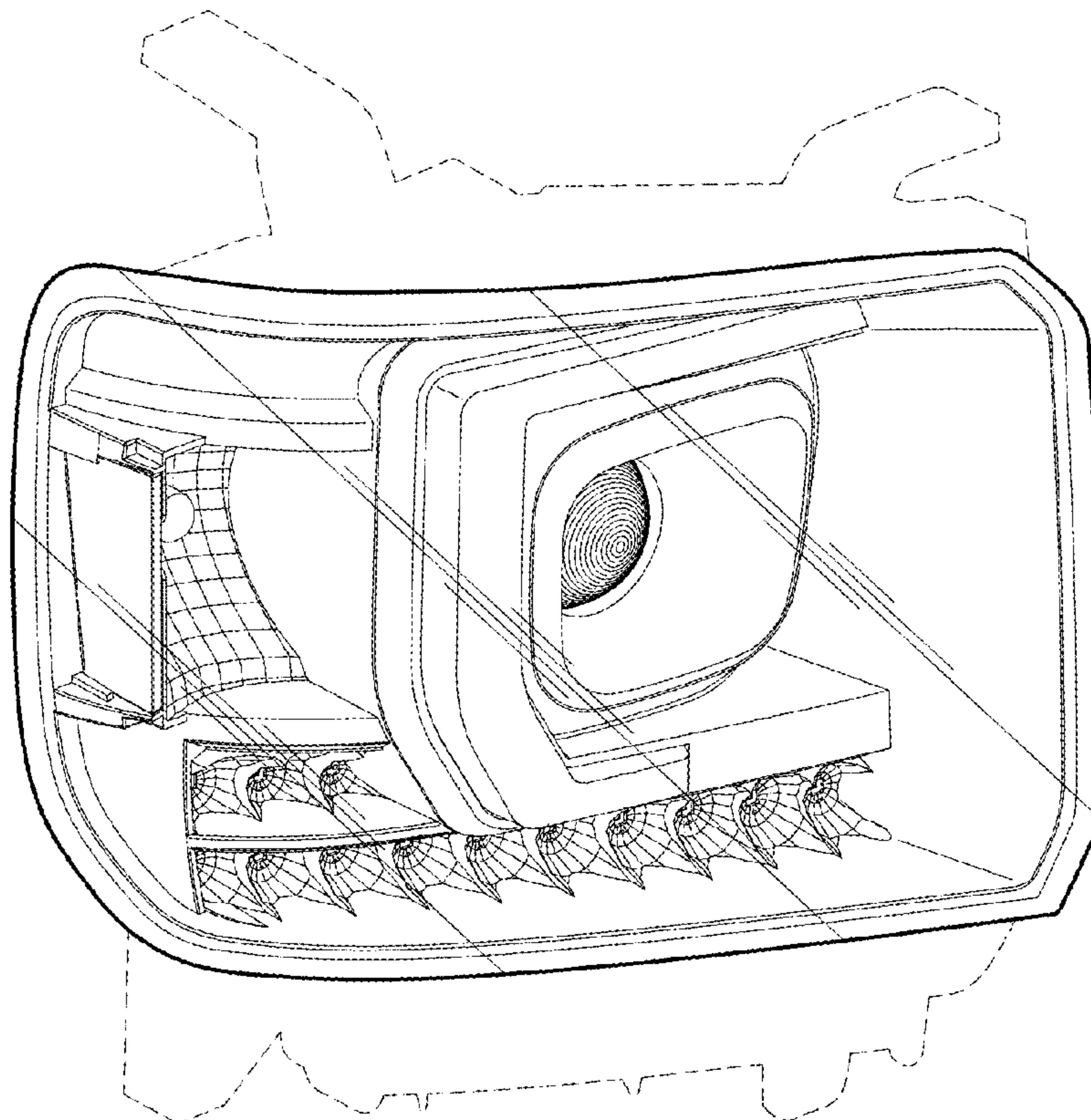
The ornamental design for automobile front light, as shown and described.

DESCRIPTION

FIG. 1 is a perspective view of an automobile front light; FIG. 2 is a front view thereof; FIG. 3 is a side view thereof; and, FIG. 4 is a top view thereof.

The broken lines are included to show environmental structure and form no part of the claimed design. The drawings and descriptions represent the left side embodiment. The claim is also for a mirror image right side embodiment.

1 Claim, 4 Drawing Sheets



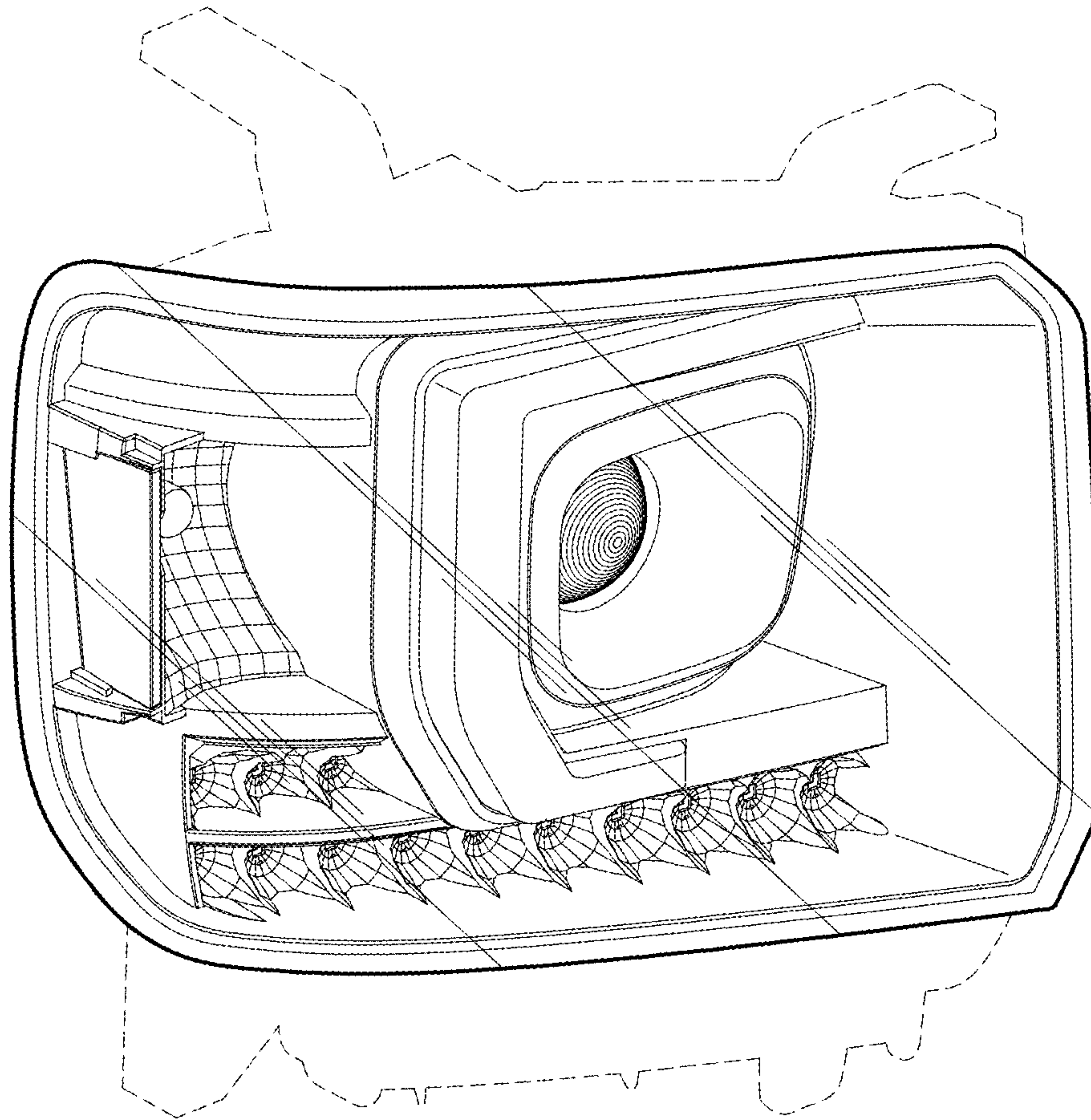


FIG. 1

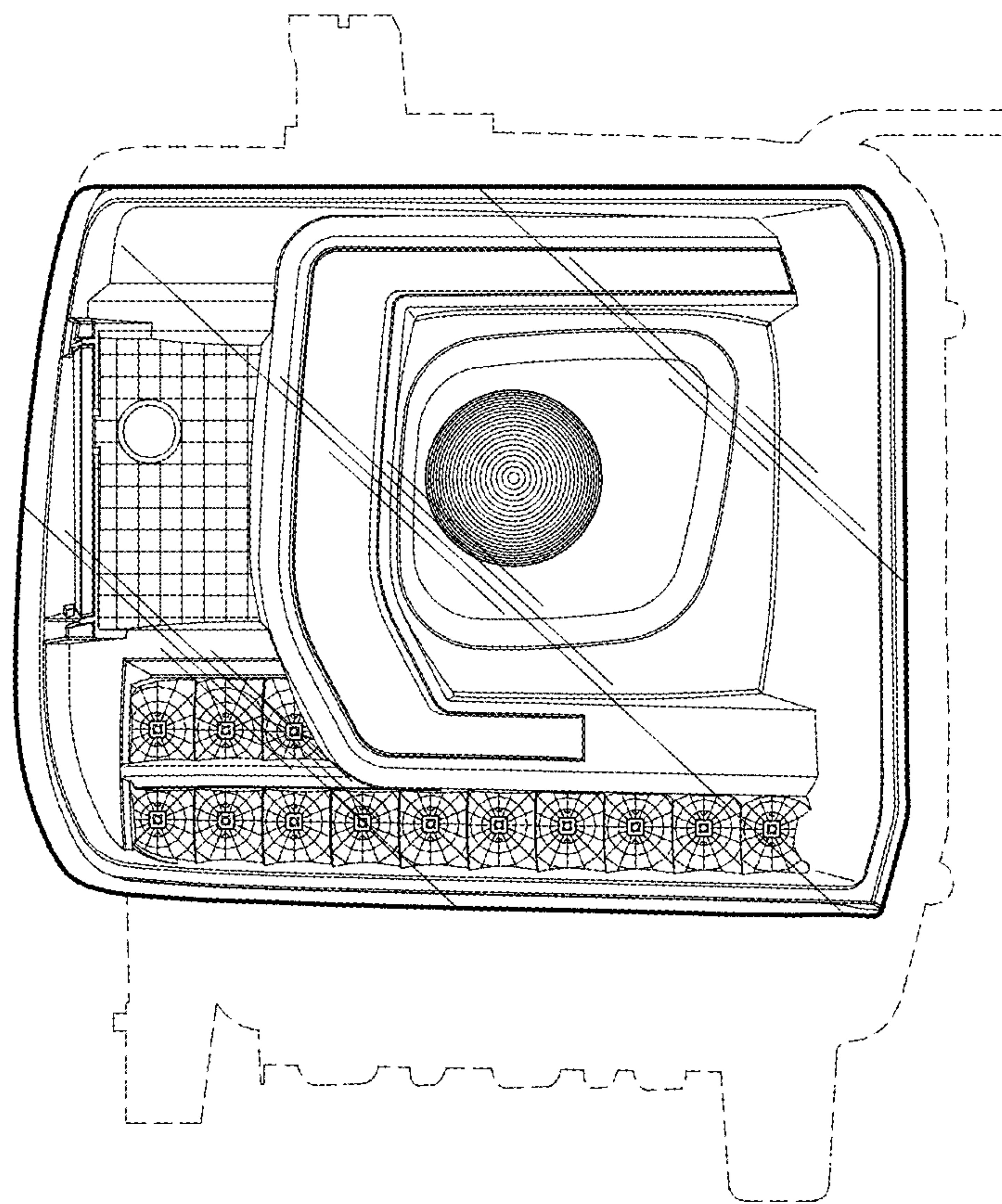


FIG. 2

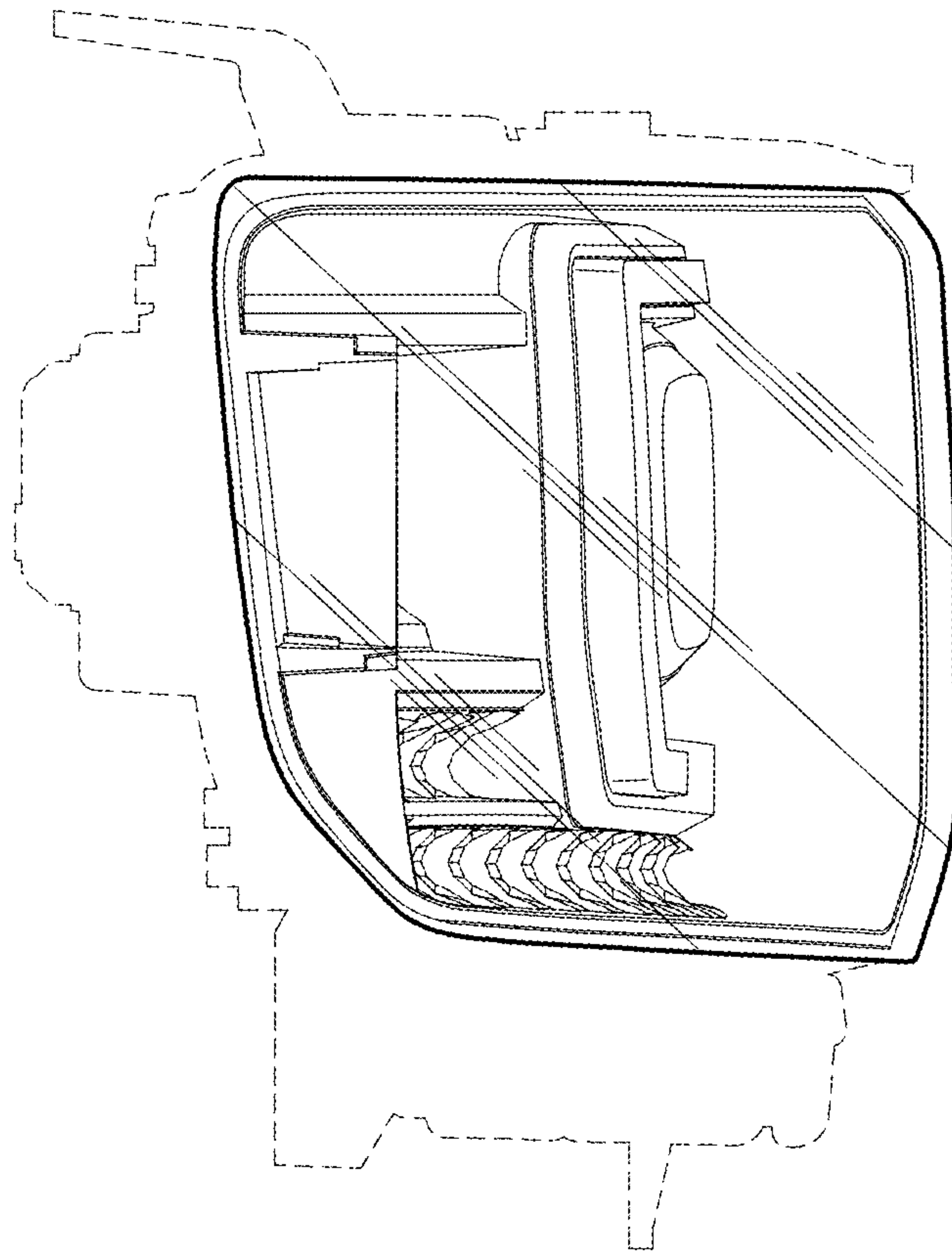


FIG. 3

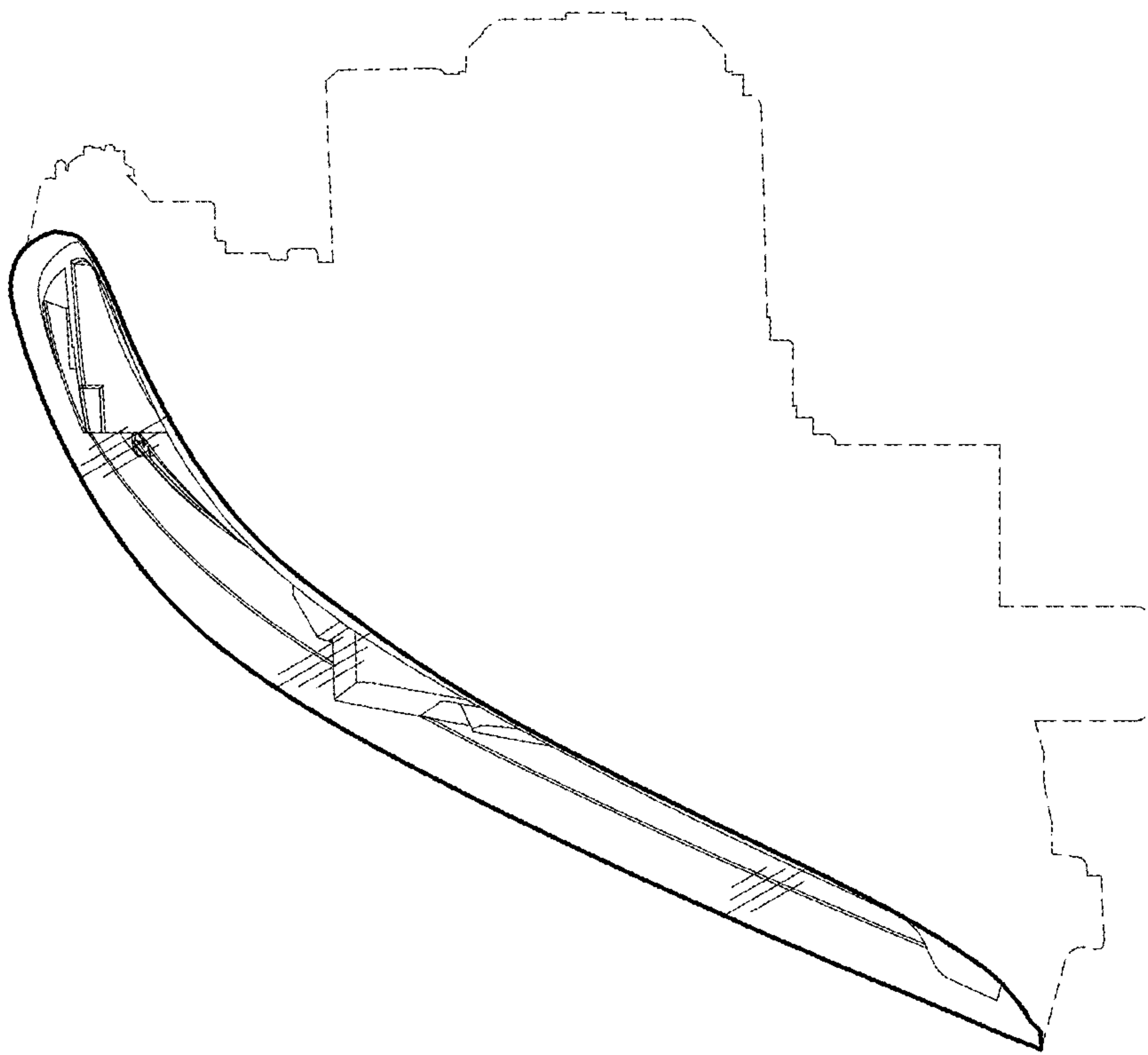


FIG. 4