



US00D797323S

(12) **United States Design Patent**
Yang et al.

(10) **Patent No.:** **US D797,323 S**
(45) **Date of Patent:** **** Sep. 12, 2017**

(54) **TUBE LAMP END CAP**

(71) Applicant: **JIAXING SUPER LIGHTING ELECTRIC APPLIANCE CO., LTD,**
Jiaxing (CN)

(72) Inventors: **Chang Yang,** Jiaxing (CN); **Xiaosu Yang,** Hangzhou (CN)

(73) Assignee: **JIAXING SUPER LIGHTING ELECTRIC APPLIANCE CO., LTD,**
Jiaxing (CN)

(**) Term: **15 Years**

(21) Appl. No.: **29/544,635**

(22) Filed: **Nov. 5, 2015**

(30) **Foreign Application Priority Data**

May 6, 2015 (CN) 2015 3 0129538

(51) **LOC (10) Cl.** **26-04**

(52) **U.S. Cl.**
USPC **D26/3**

(58) **Field of Classification Search**
USPC D26/1-4; 313/313, 315, 316, 317, 318,
313/493; 315/52, 53, 56, 57, 58
(Continued)

(56) **References Cited**

U.S. PATENT DOCUMENTS

D477,093 S * 7/2003 Moriyama D26/3
D576,749 S * 9/2008 Kitagawa D26/3
(Continued)

Primary Examiner — Marcus Jackson

(74) *Attorney, Agent, or Firm* — Ding Yu Tan

(57) **CLAIM**

The ornamental design for a tube lamp end cap, as shown and described above.

DESCRIPTION

FIG. 1 is a perspective view of a tube lamp end cap showing my new design;

FIG. 2 is a perspective view of a second embodiment thereof;

FIG. 3 is a perspective view of a third embodiment thereof; FIG. 4 is a front elevational view of the first embodiment thereof;

FIG. 5 is a front elevational view of the second embodiment thereof;

FIG. 6 is a front elevational view of the third embodiment thereof;

FIG. 7 is a left side elevational view thereof;

FIG. 8 is a right side elevational view thereof;

FIG. 9 is a top plan view thereof;

FIG. 10 is a bottom plan view thereof;

FIG. 11 is a rear elevational view of the first embodiment thereof;

FIG. 12 is a rear elevational view of the second embodiment thereof;

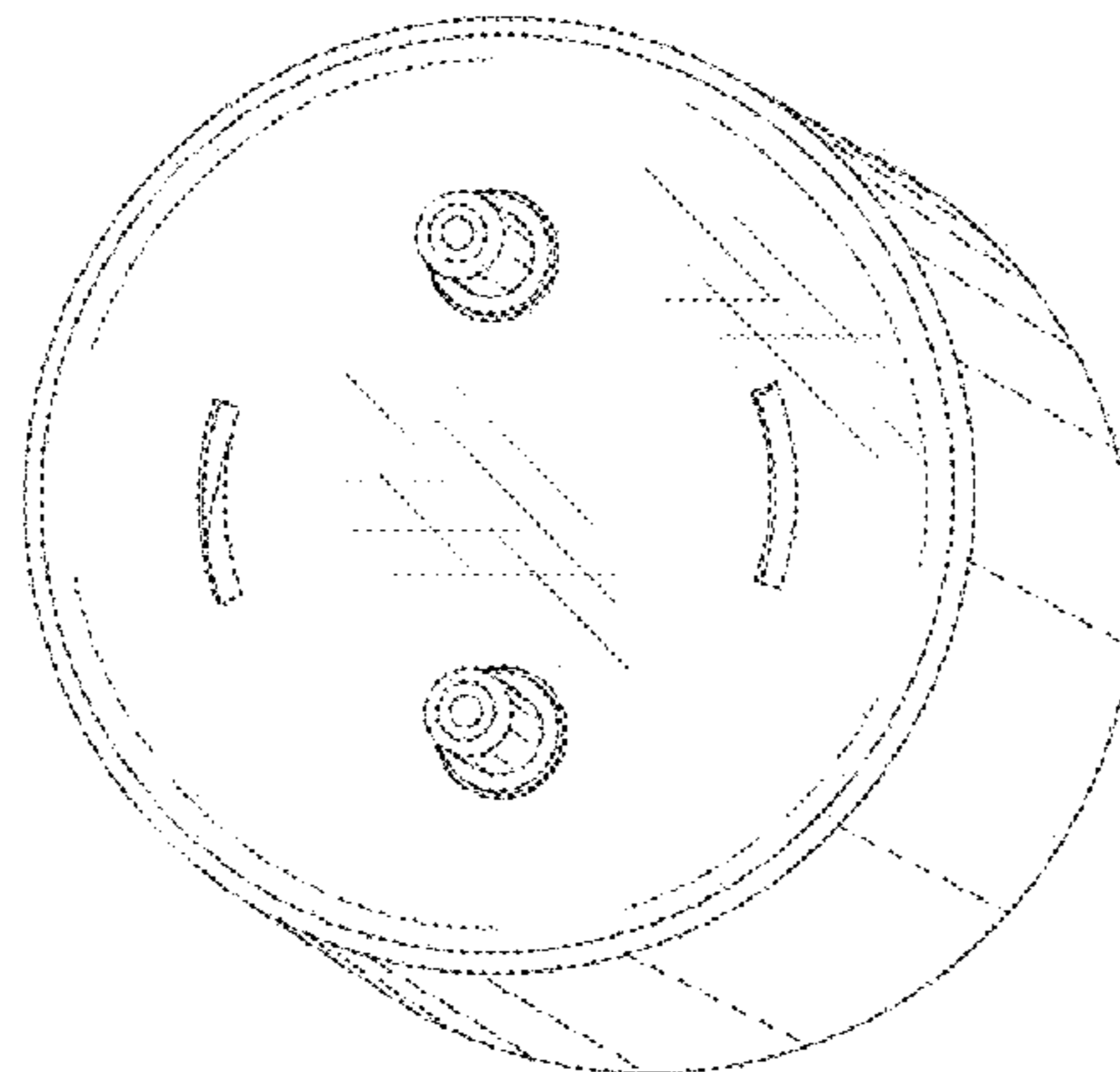
FIG. 13 is a rear elevational view of the third embodiment thereof;

FIG. 14 is a perspective view of the first embodiment thereof, with the broken line showing for illustrative purposes only and forming no part of the claimed design;

FIG. 15 is a perspective view of the second embodiment thereof, with the broken line showing for illustrative purposes only and forming no part of the claimed design; and, FIG. 16 is a perspective view of the third embodiment thereof, with the broken line showing for illustrative purposes only and forming no part of the claimed design.

The shade lines (continuous solid lines of reduced opacity) in the figures show surface contour but not surface ornamentation. The broken lines (dashed line) in FIGS. 14-16 show the lamp tube of the tube lamp, which is a visible environmental structure, and is not part of the ornamental design. Three modified forms or embodiments of a single design concept are included for the ornamental design for the tube lamp end cap in which only minimal configuration differences are found in the number of (horizontally elongated) slit openings as shown, for example, in FIGS. 1-3. FIG. 1 shows a first embodiment having a pair of matching one slit opening. FIG. 2 shows a second embodiment having a pair of matching two slit openings. FIG. 3 shows a third embodiment having a pair of matching three slit openings. Meanwhile, the multiple embodiments (1st, 2nd, and 3rd embodiments) of the tube lamp end cap are substantially

(Continued)



similar in appearance and shape. The ornamental design is characterized by the appearance on a front surface of the tube lamp end cap as shown in the perspective views of FIGS. 1-3, respectively. The most representative figures of the ornamental design of the above described new, original and ornamental design are the perspective views. The tube lamp end cap can be adapted for use in an LED lamp tube for illumination. As a result, the overall shape and appearance of the tube lamp end cap is more aesthetically pleasing and of possessing design uniqueness.

1 Claim, 15 Drawing Sheets

(58) Field of Classification Search

CPC H01R 5/00; H01R 13/46; H01R 13/514;
H01R 31/048; H01R 31/02; H01J 5/00;
H01J 5/16; H01J 15/00; H01J 5/48; H01J
5/50; H01J 19/54; F21V 5/00

See application file for complete search history.

(56) References Cited

U.S. PATENT DOCUMENTS

D594,999 S * 6/2009 Uchida D26/3
D621,975 S * 8/2010 Wang D26/3

* cited by examiner

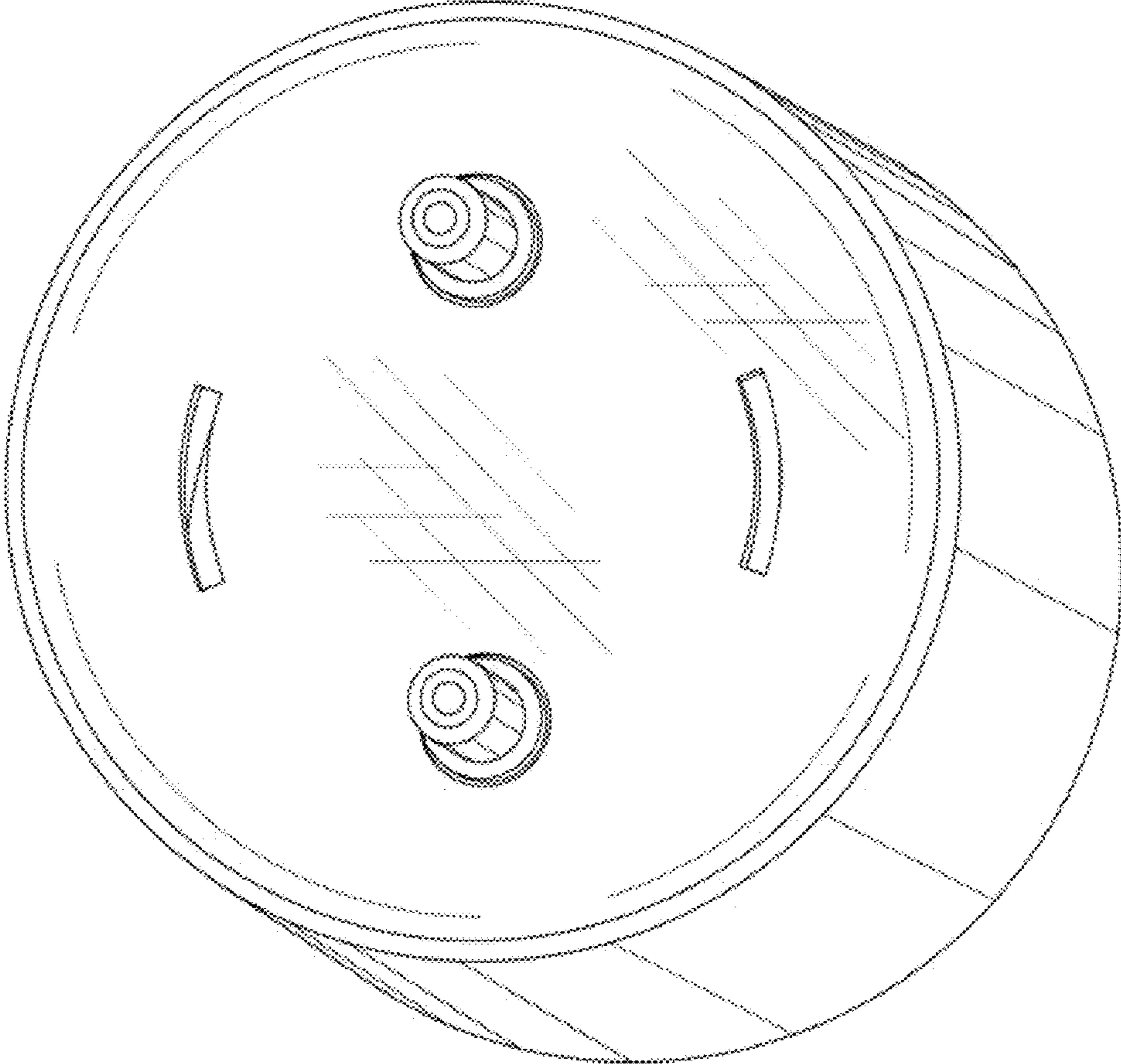


FIG. 1

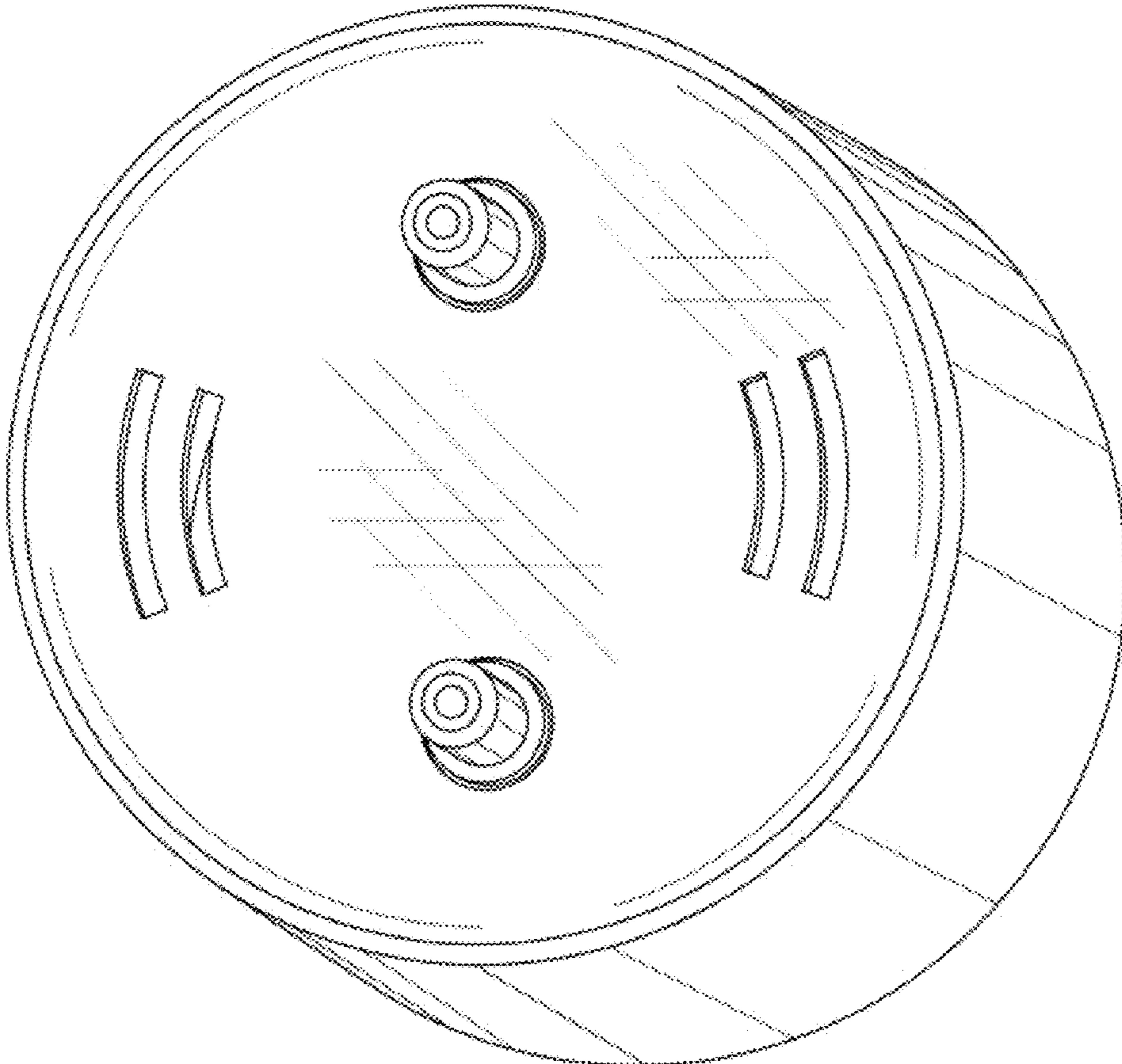


FIG. 2

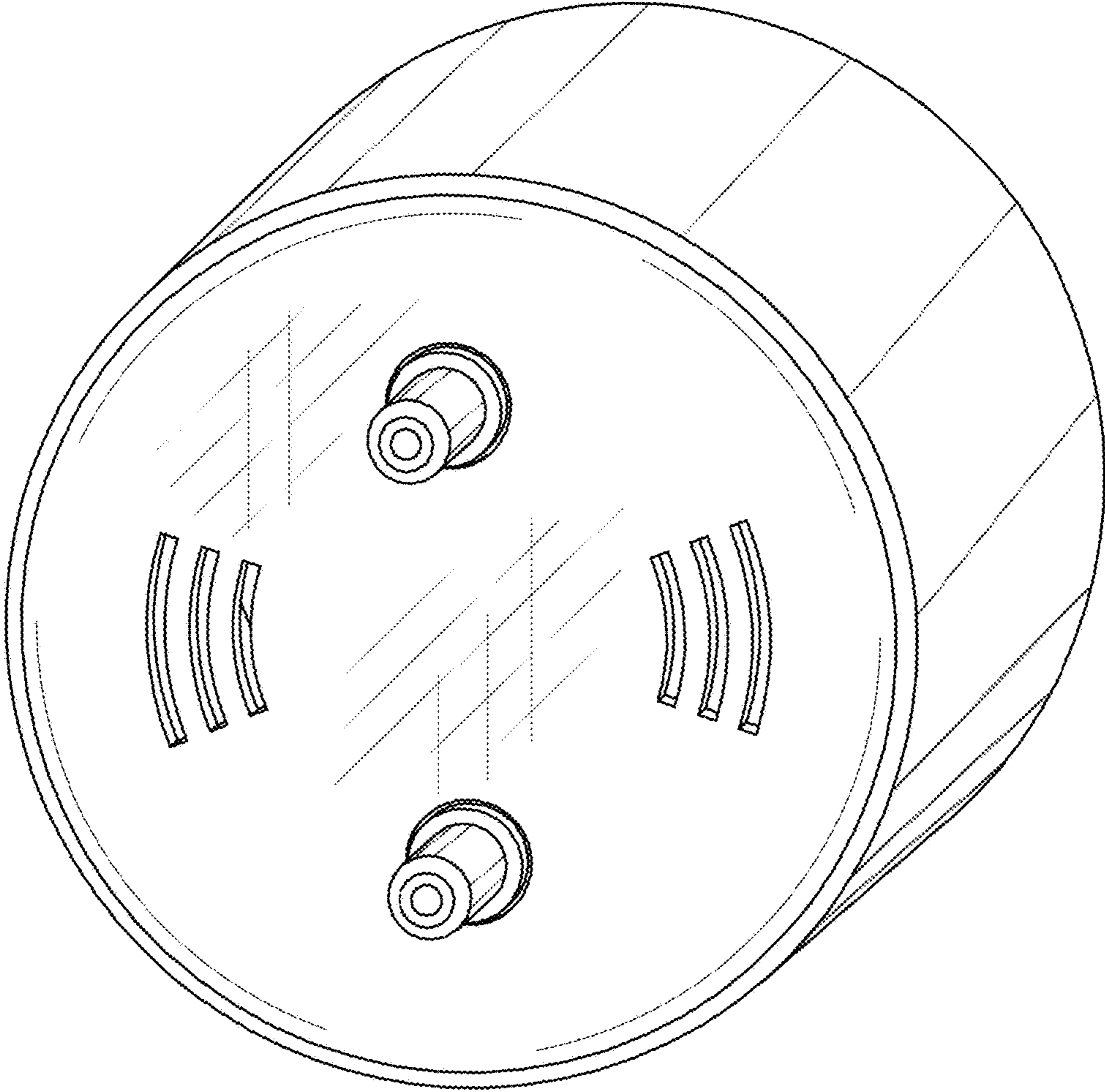


FIG. 3

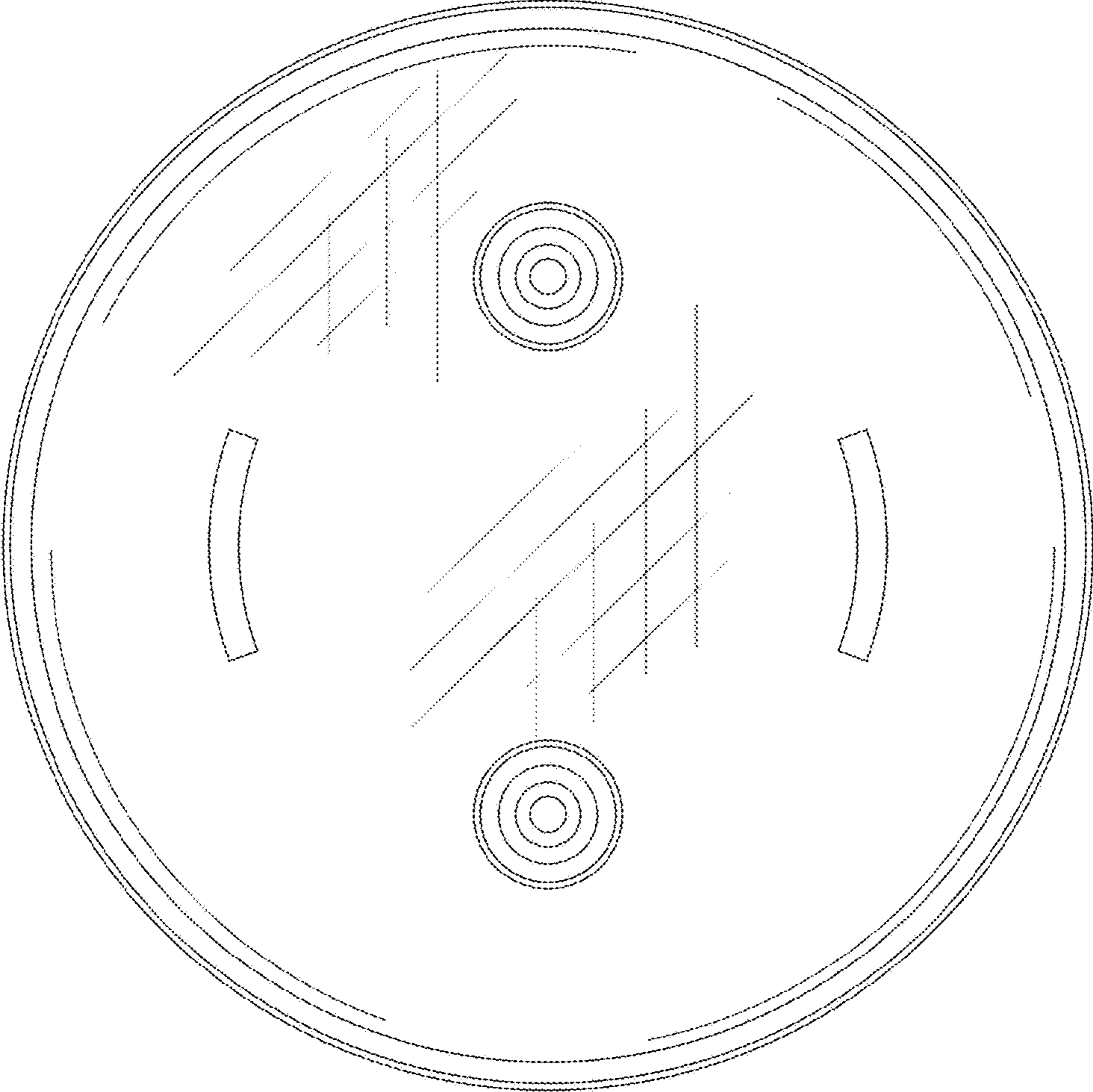


FIG. 4

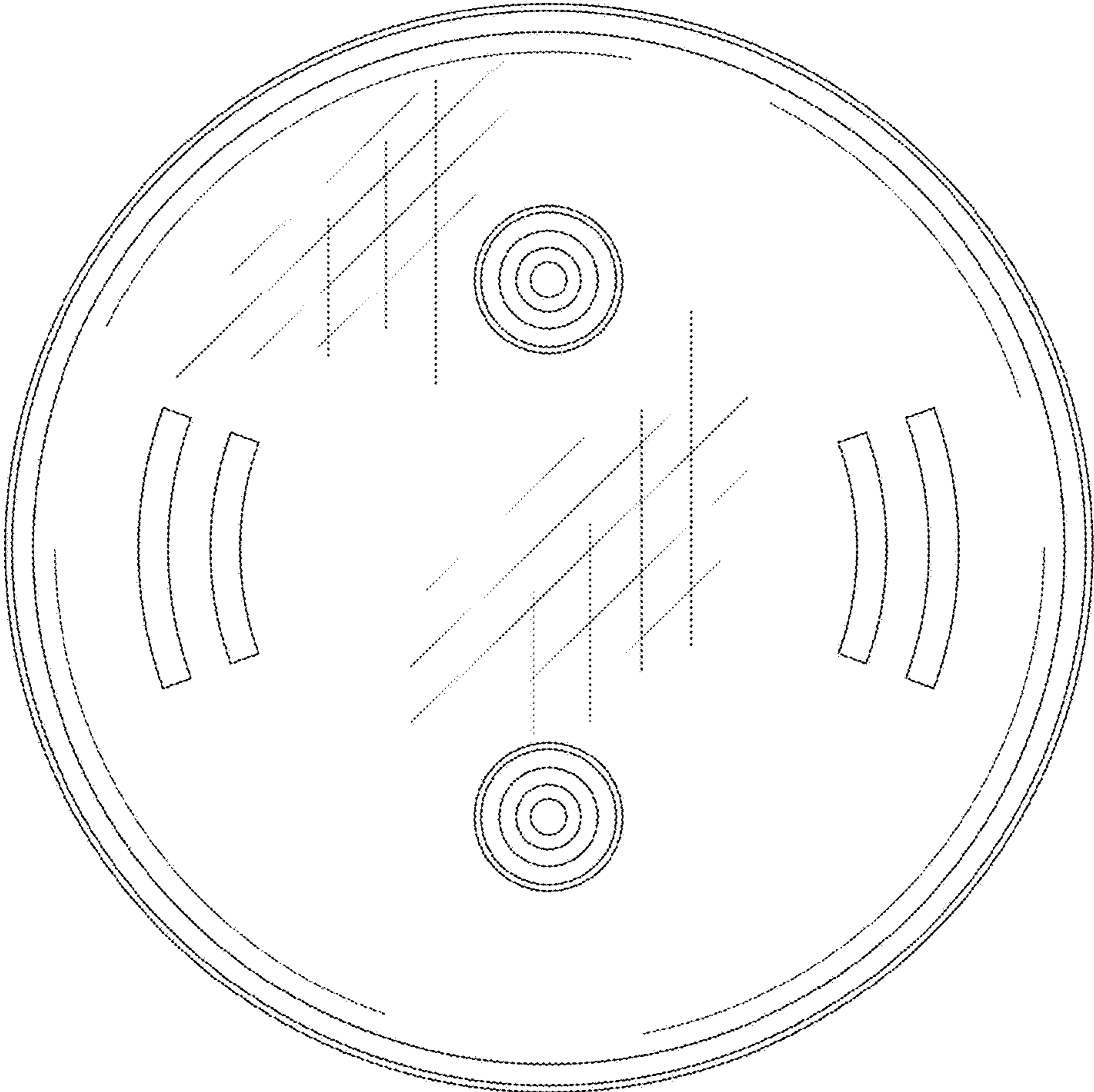


FIG. 5

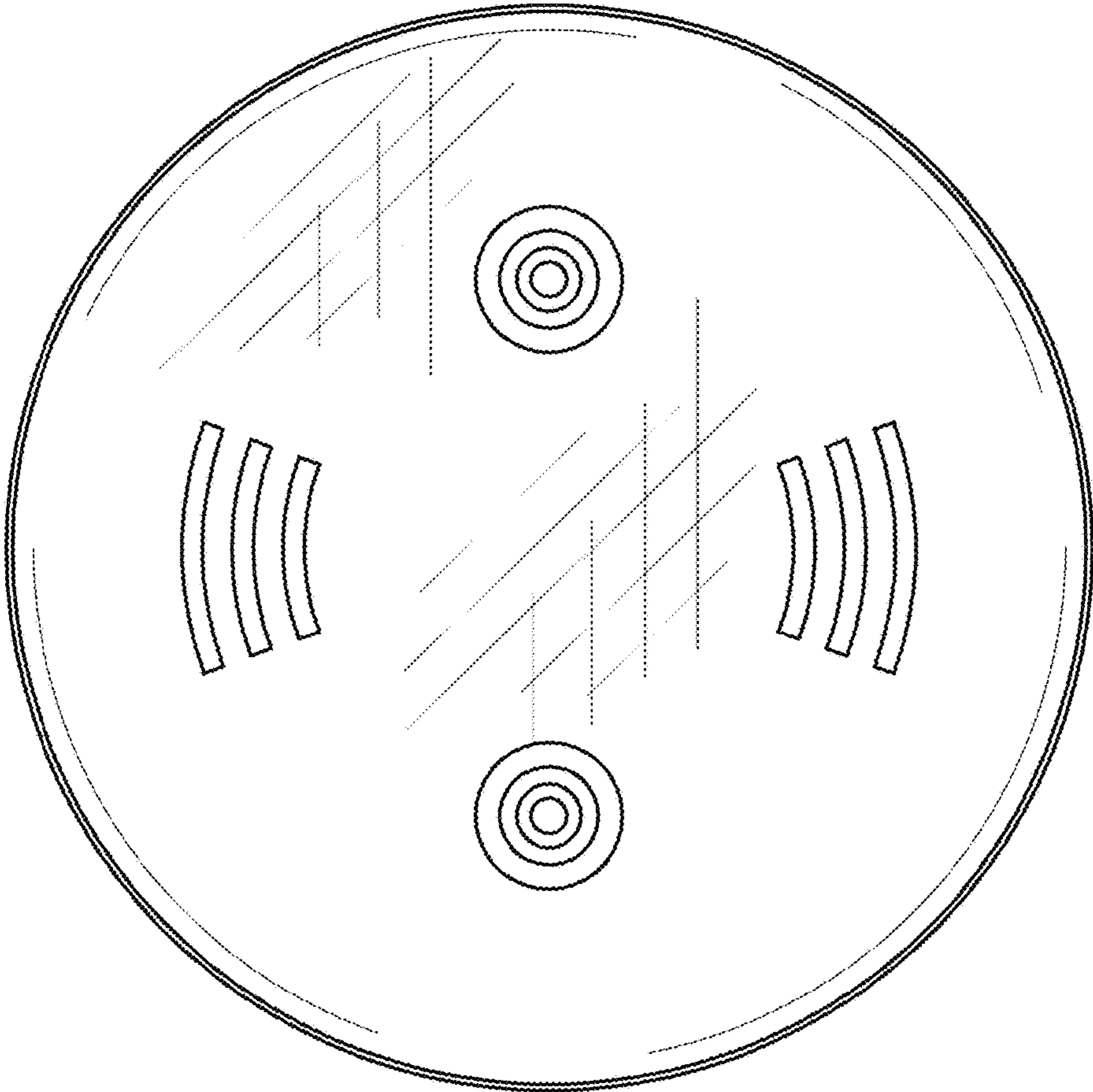


FIG. 6

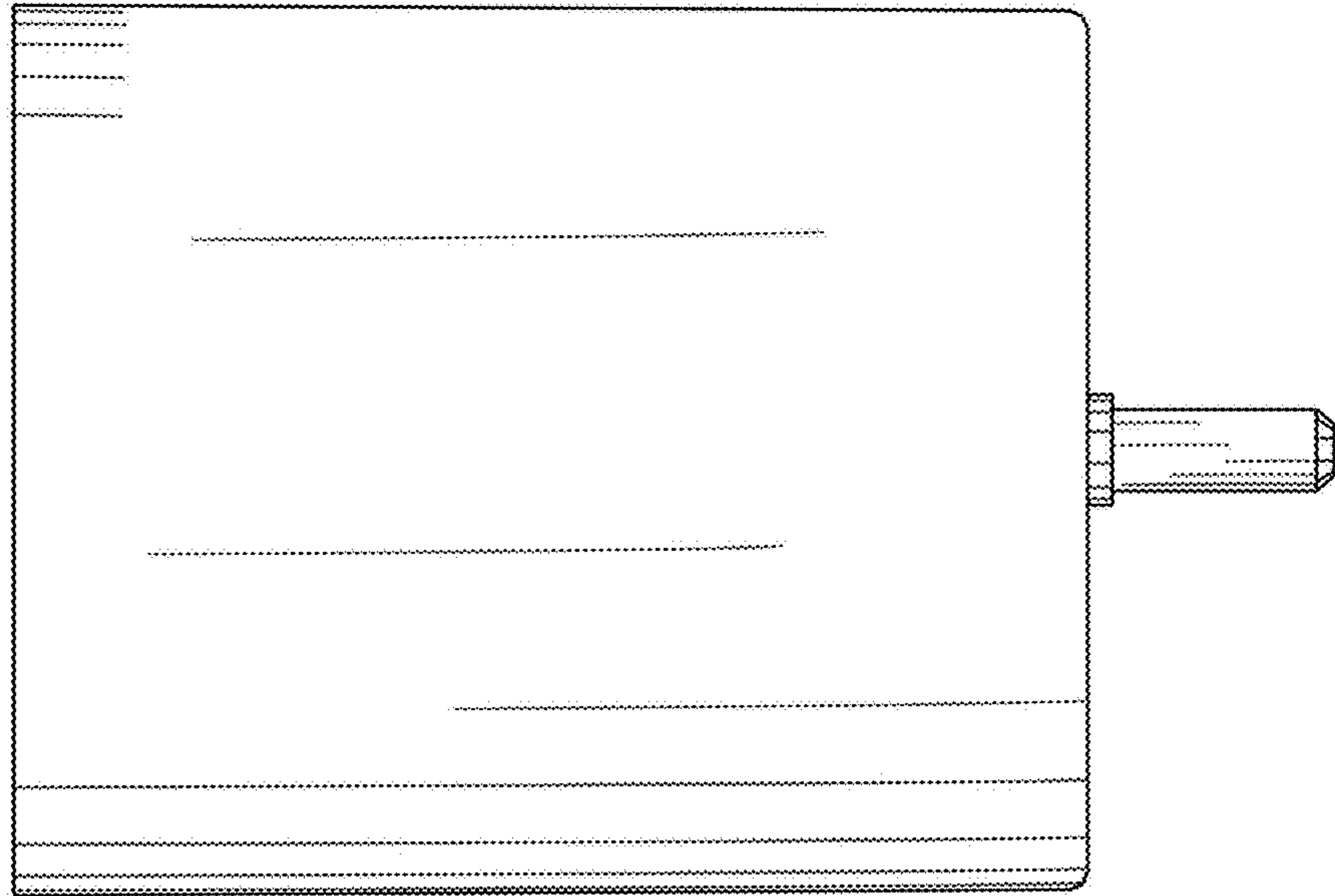


FIG. 7

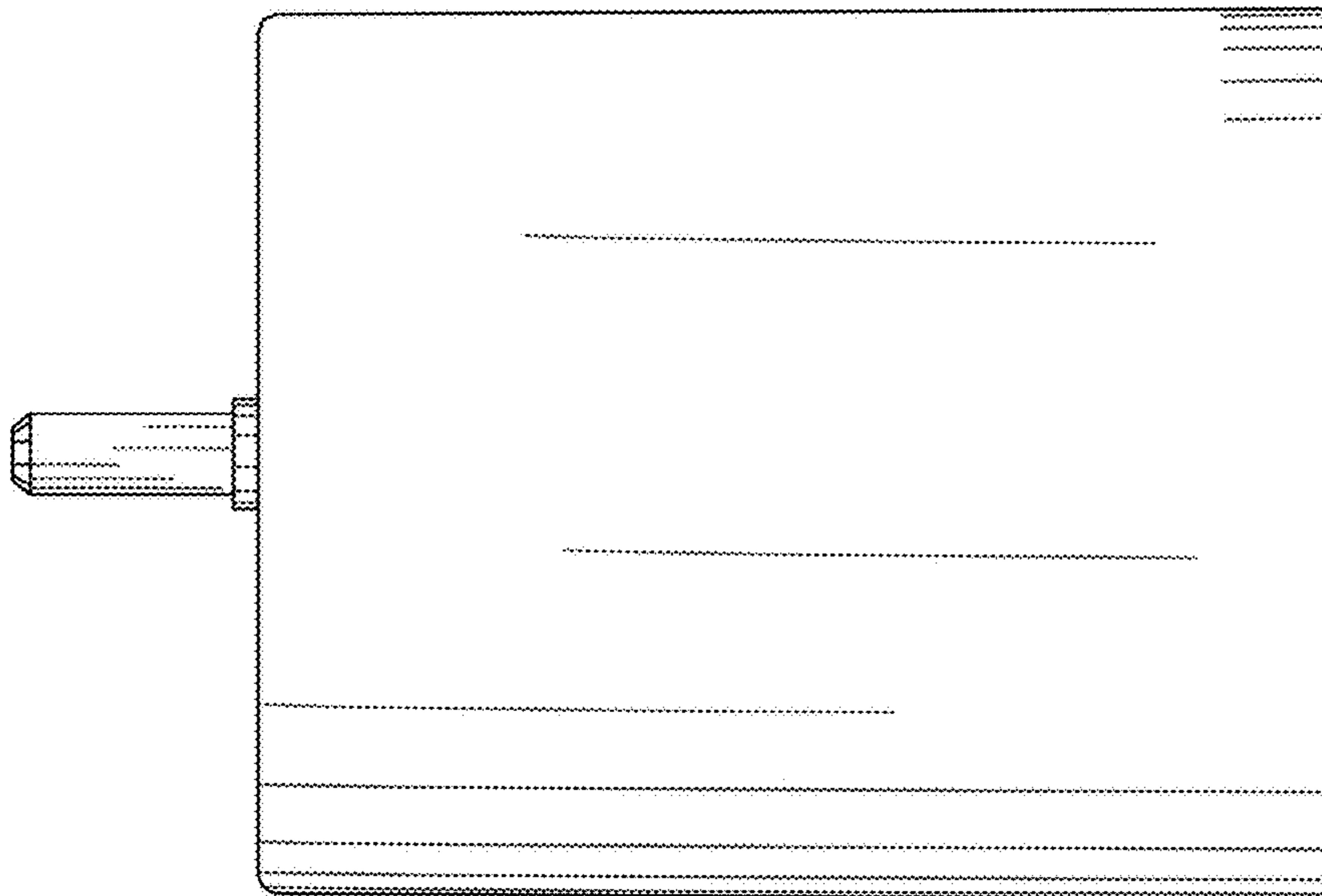


FIG. 8

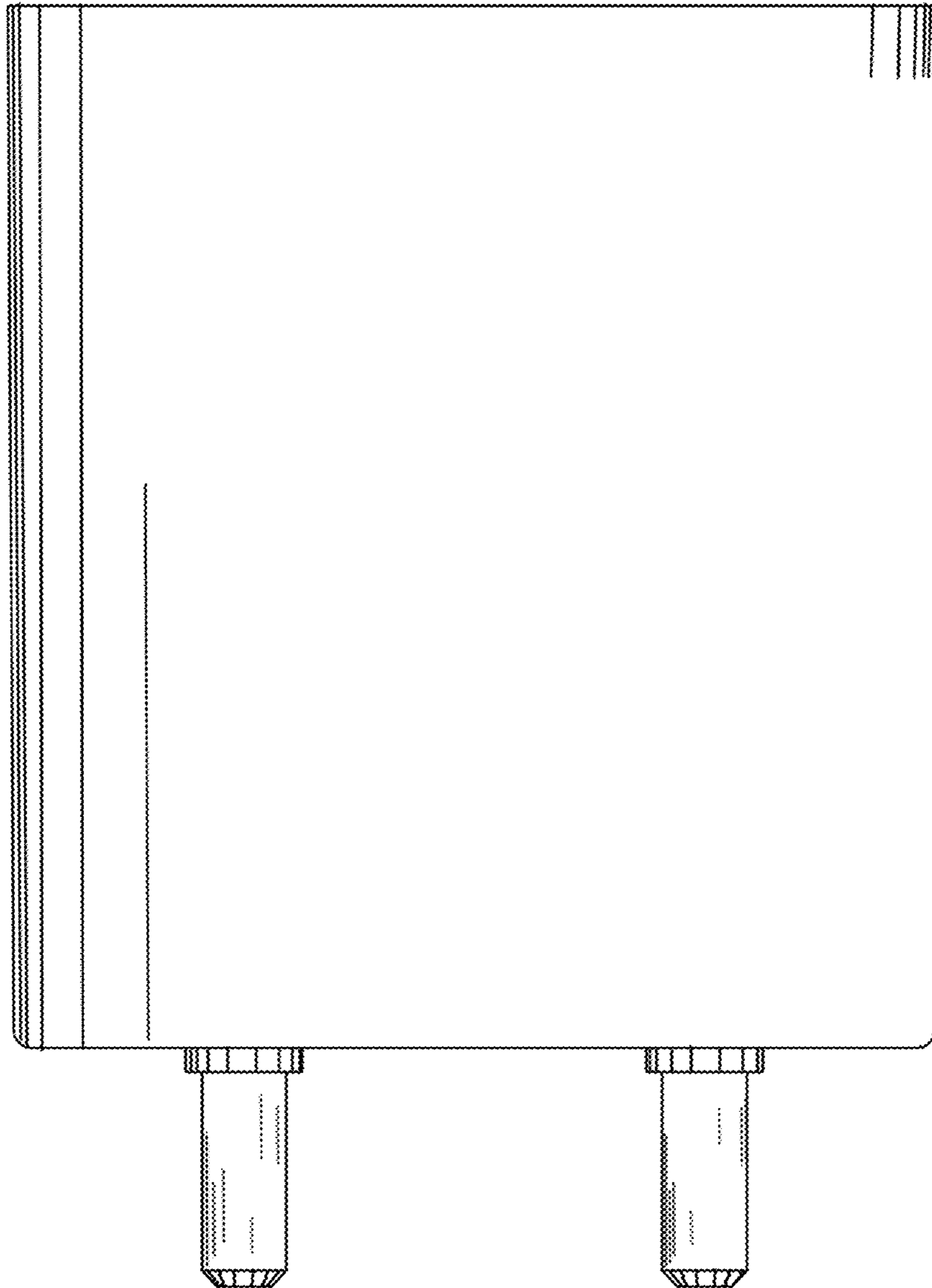


FIG. 9

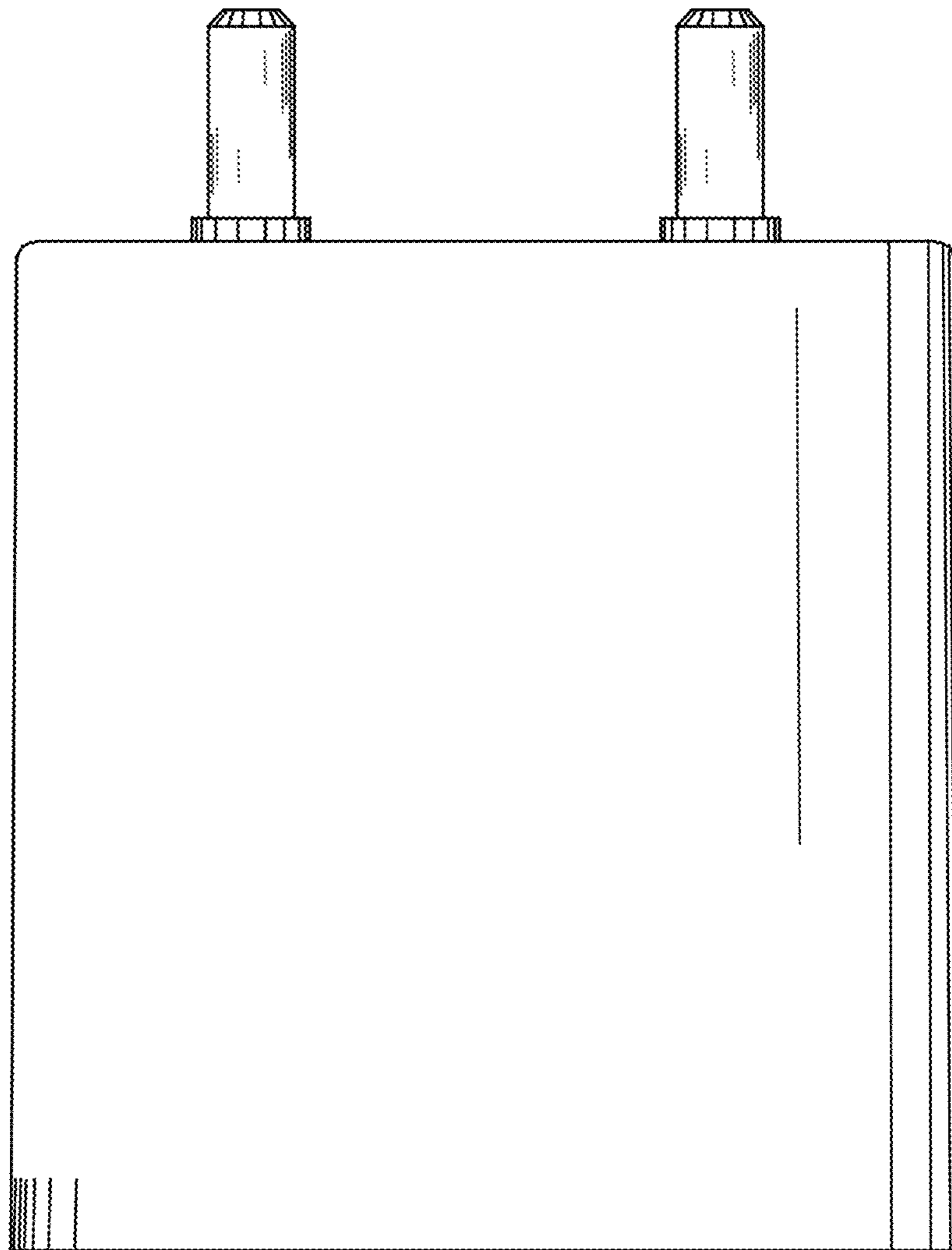


FIG. 10

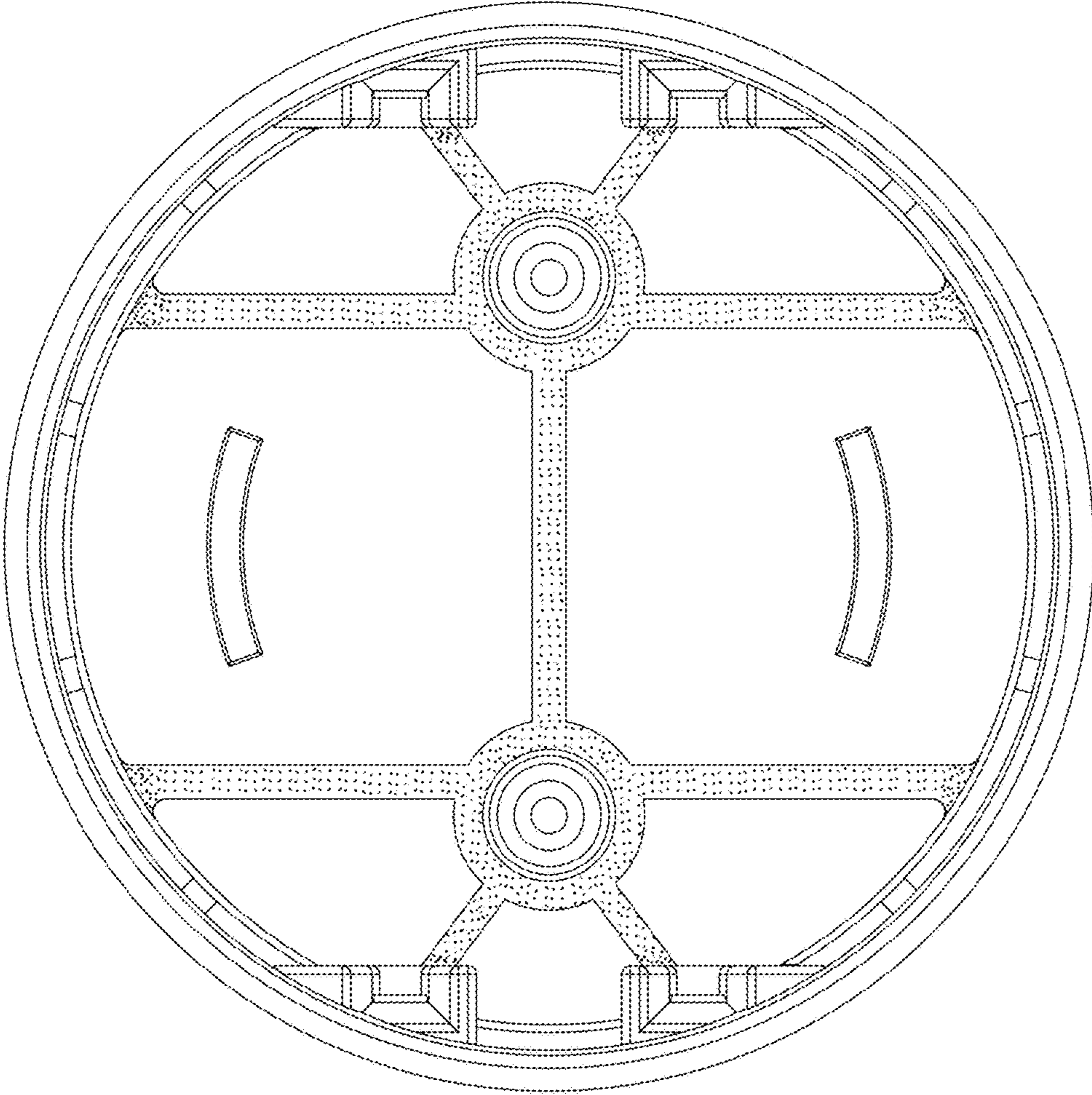


FIG. 11

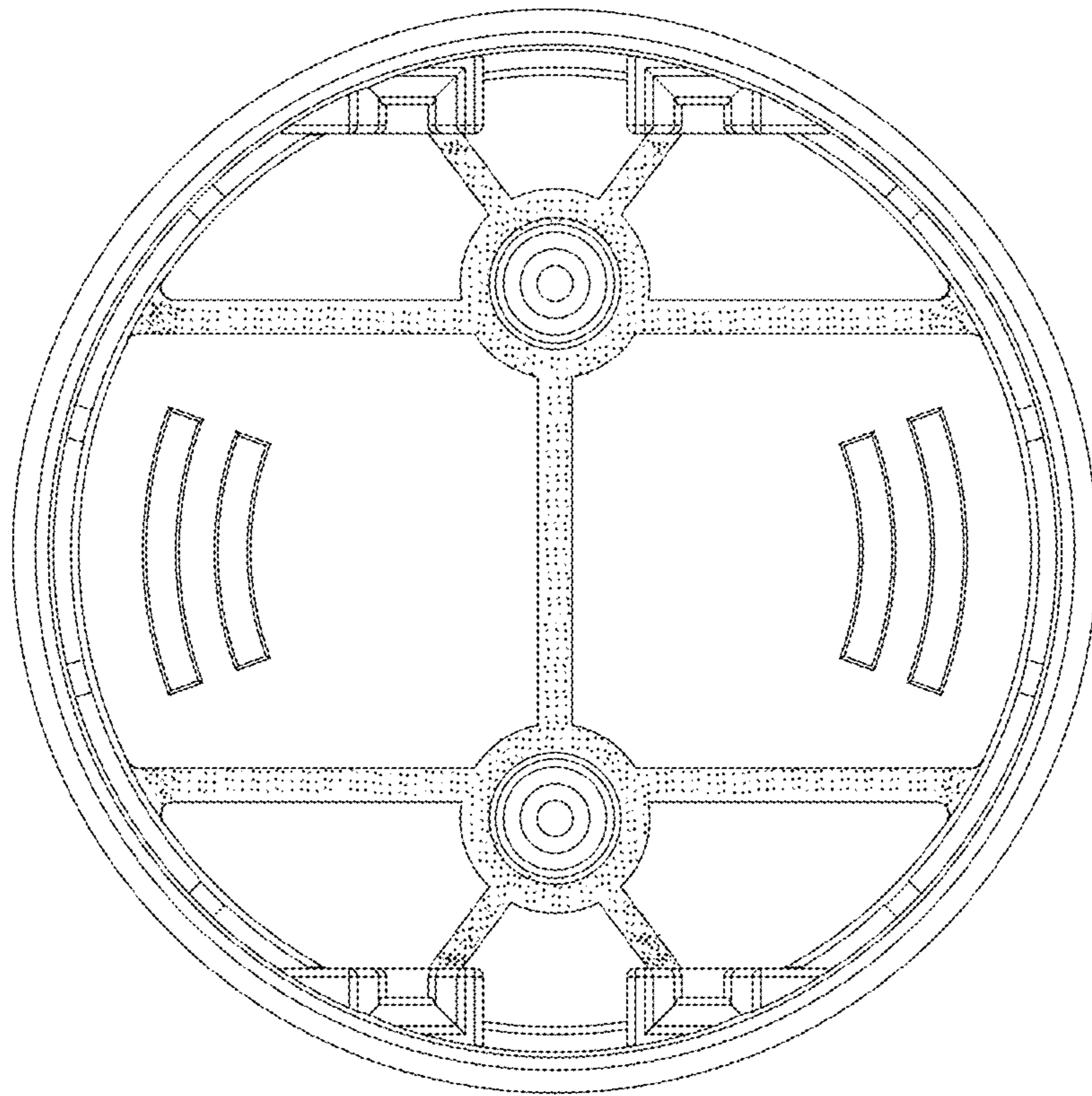


FIG. 12

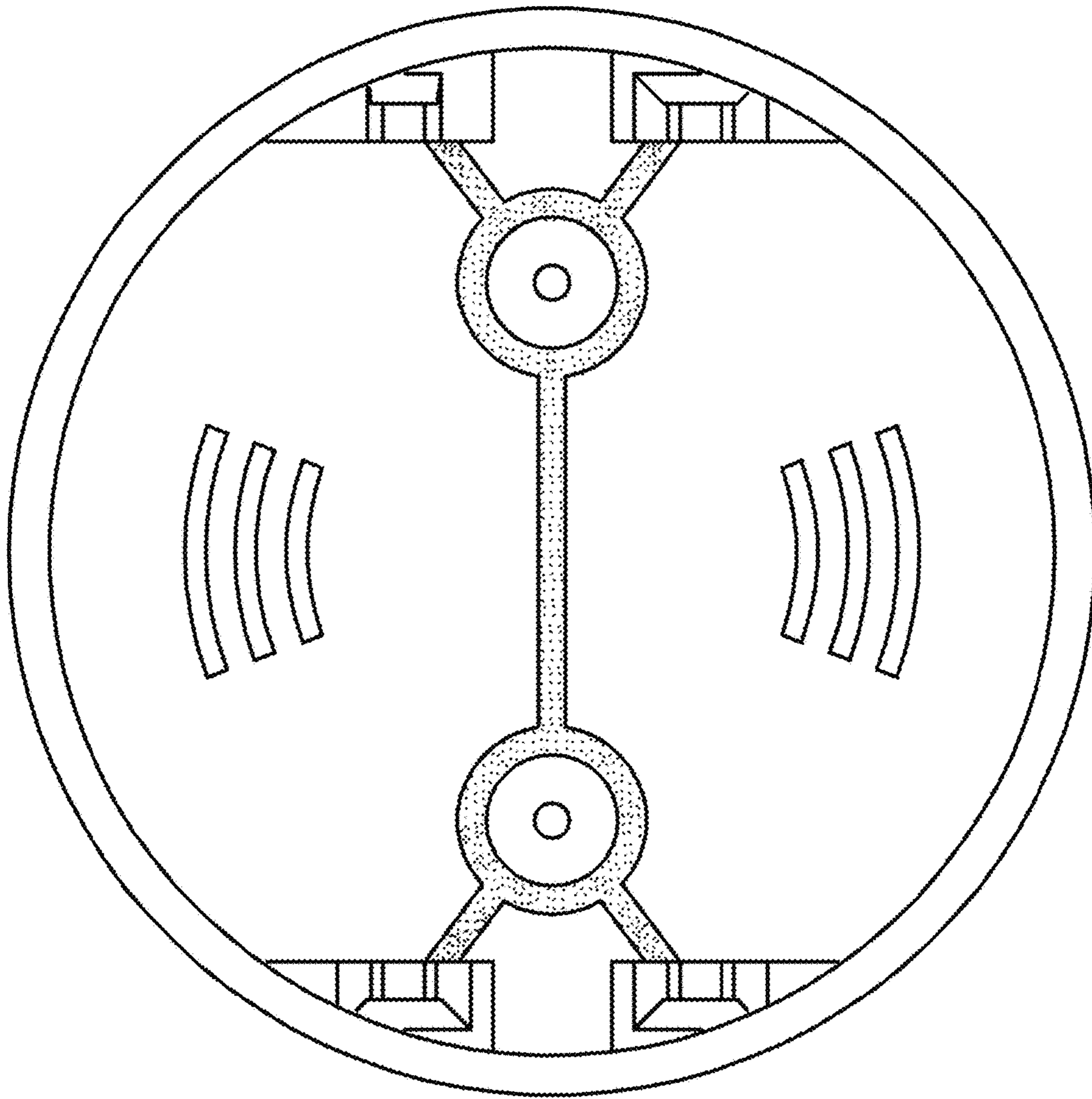


FIG. 13

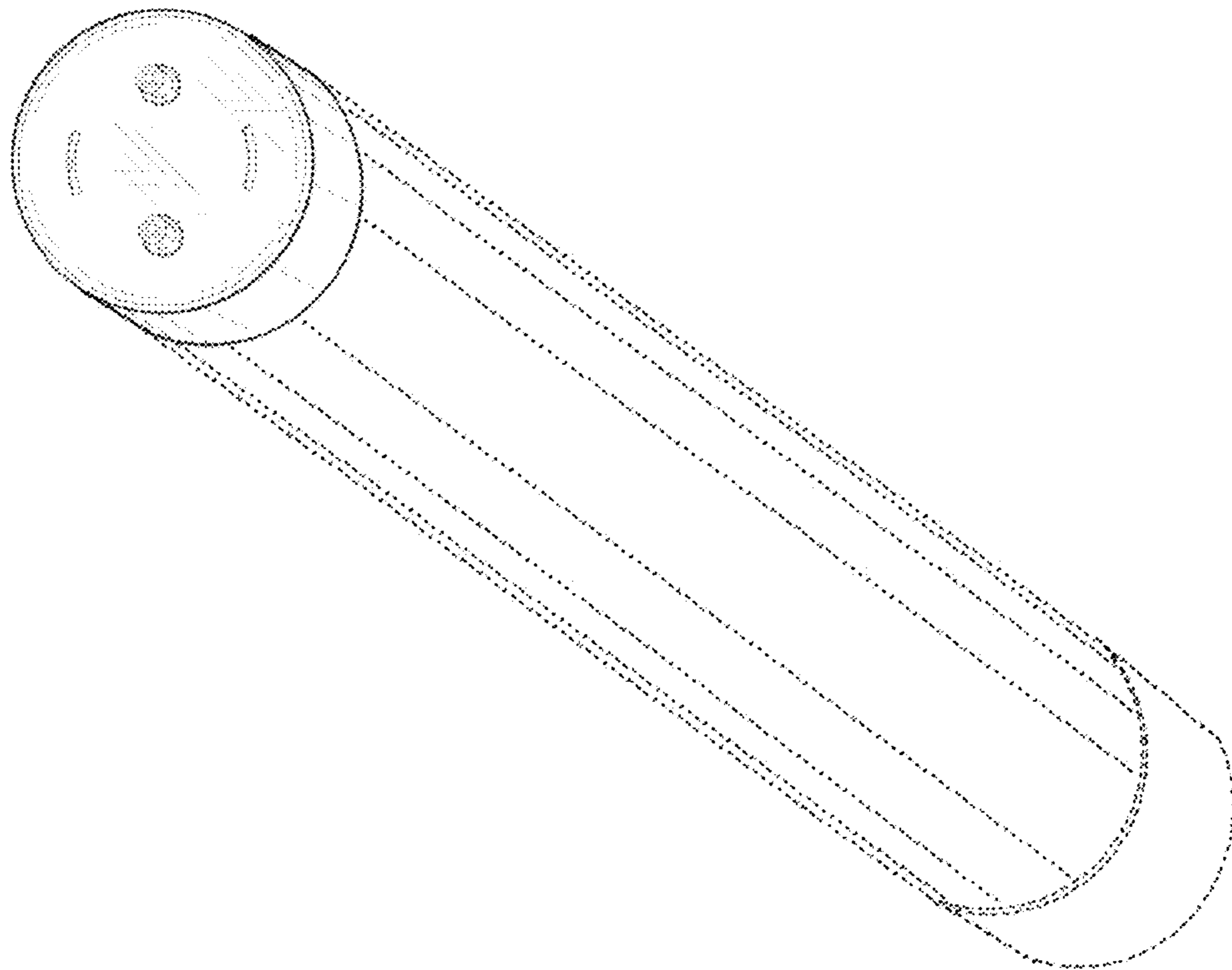


FIG. 14

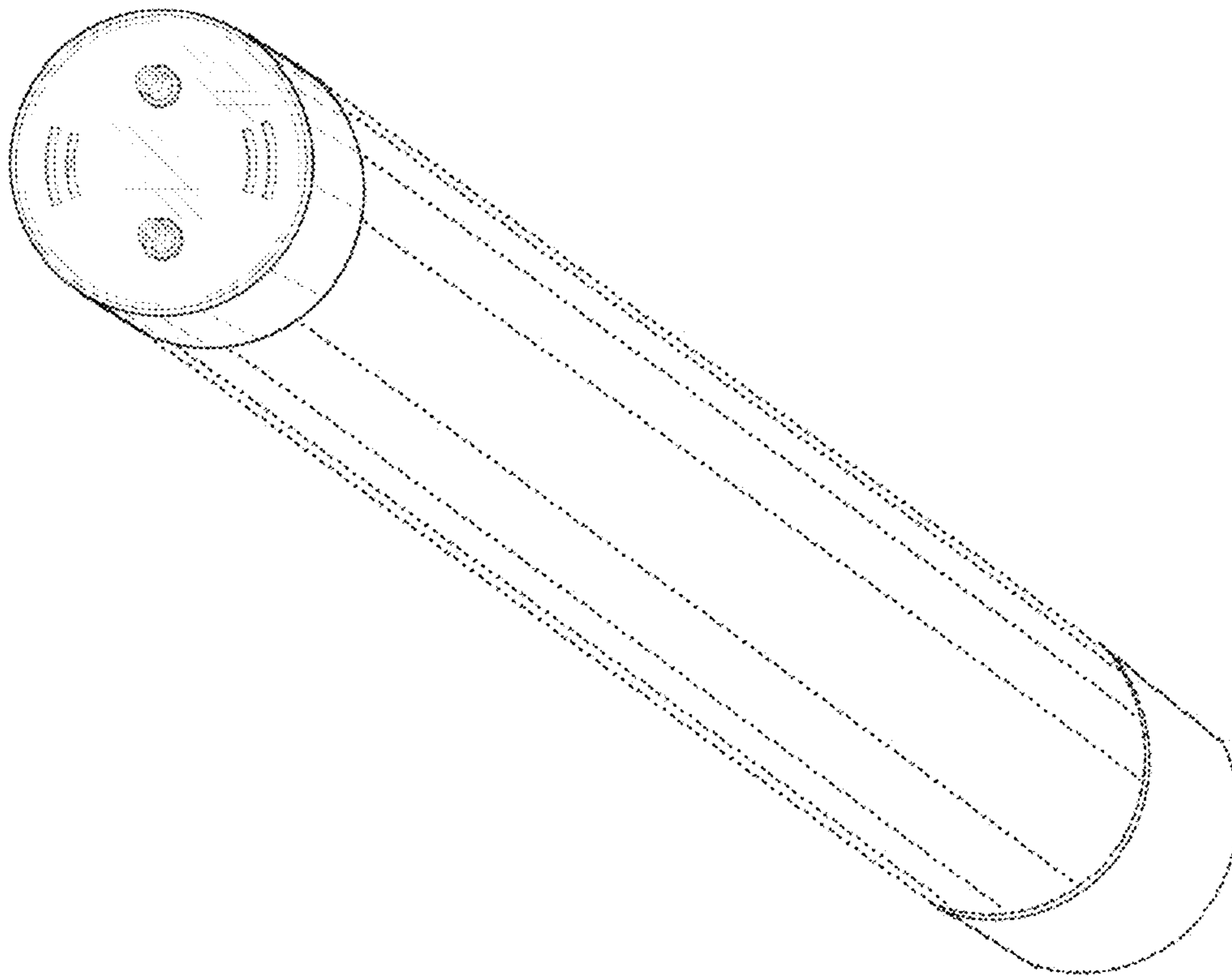


FIG. 15

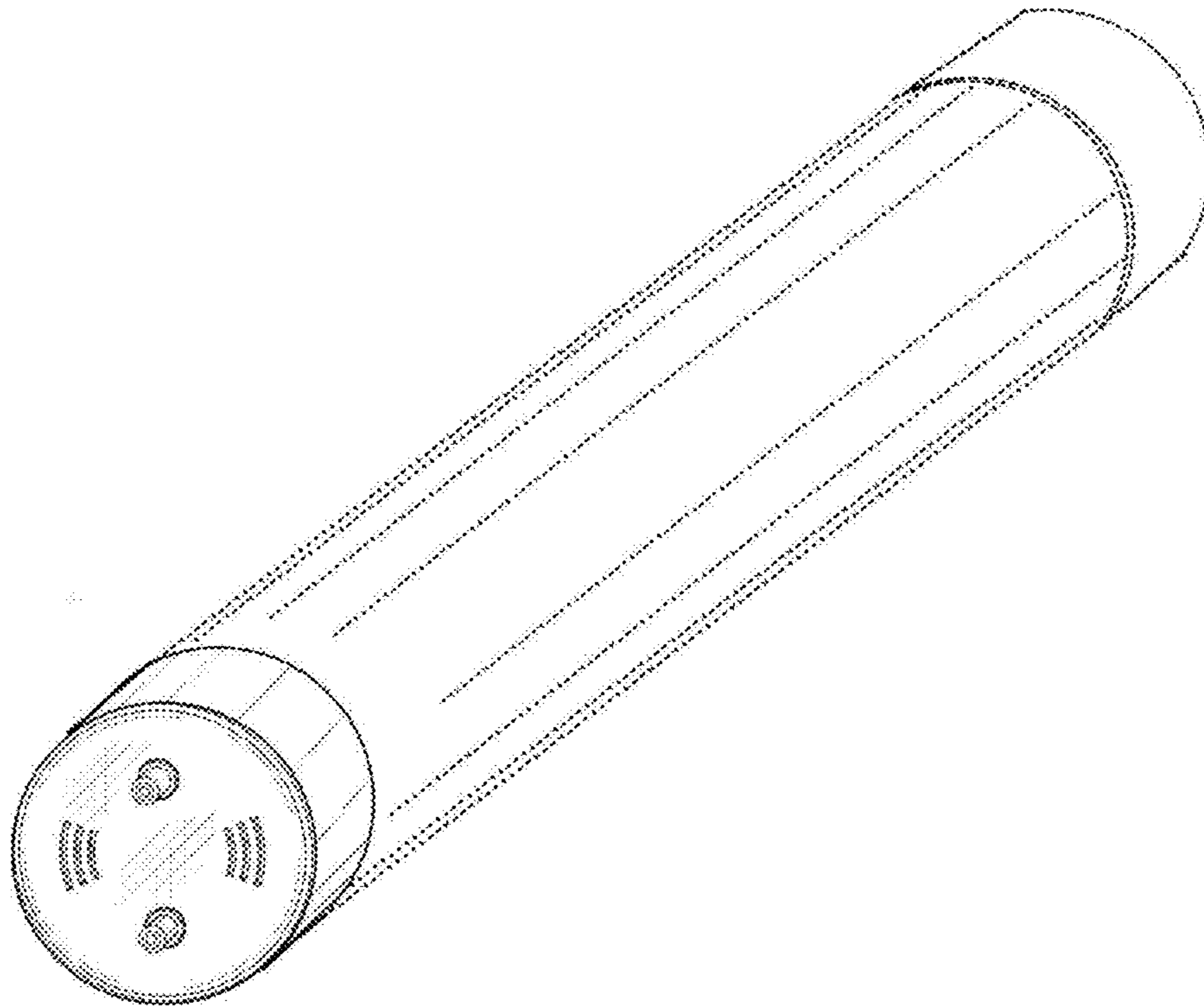


FIG. 16