



US00D797319S

(12) **United States Design Patent** (10) **Patent No.:** **US D797,319 S**  
**Amrine et al.** (45) **Date of Patent:** **\*\* Sep. 12, 2017**

(54) **LANDSCAPE EDGING**

(71) Applicant: **Dimex, LLC**, Marietta, OH (US)  
(72) Inventors: **Patrick Amrine**, Williamstown, WV (US); **Matthew Miller**, Marietta, OH (US); **Forrest Adam Sanders**, Marietta, OH (US)

(73) Assignee: **Dimex, LLC**, Marietta, OH (US)

(\*\*) Term: **15 Years**

(21) Appl. No.: **29/560,353**

(22) Filed: **Apr. 6, 2016**

(51) **LOC (10) Cl.** ..... **25-99**

(52) **U.S. Cl.**  
USPC ..... **D25/164**

(58) **Field of Classification Search**  
USPC ..... D25/35, 58, 113, 114, 115, 119, 139, D25/164, 199; 47/32.4, 33; 52/102; D8/1  
CPC ..... E01C 11/22; E01C 11/221; E01C 11/222; E01C 11/223; E01C 11/225; A01G 1/00; A01G 1/08  
See application file for complete search history.

(56) **References Cited**

**U.S. PATENT DOCUMENTS**

268,441 A	12/1882	Tunica	
457,886 A	8/1891	Landis	
992,529 A	5/1911	Abraham	
1,139,515 A *	5/1915	Haas	A01G 1/08 47/33
1,666,613 A	4/1928	Woods	
1,843,108 A *	2/1932	Clayden	A01G 1/08 47/33
1,997,876 A	4/1935	Sheldon	
2,163,613 A	6/1939	Manofsky	
2,164,681 A	7/1939	Fould	

(Continued)

**FOREIGN PATENT DOCUMENTS**

GB 480927 A 3/1938  
GB 2369979 A 6/2002

(Continued)

**OTHER PUBLICATIONS**

Valley View Industries, 2015 Retail Catalog, Independent Garden Centers/Hardware/Regional Merchants, 11 pgs., Apr. 27, 2015.

(Continued)

*Primary Examiner* — Cynthia Ramirez  
*Assistant Examiner* — Llorelys Martinez-Rivera  
(74) *Attorney, Agent, or Firm* — Wood Herron & Evans LLP

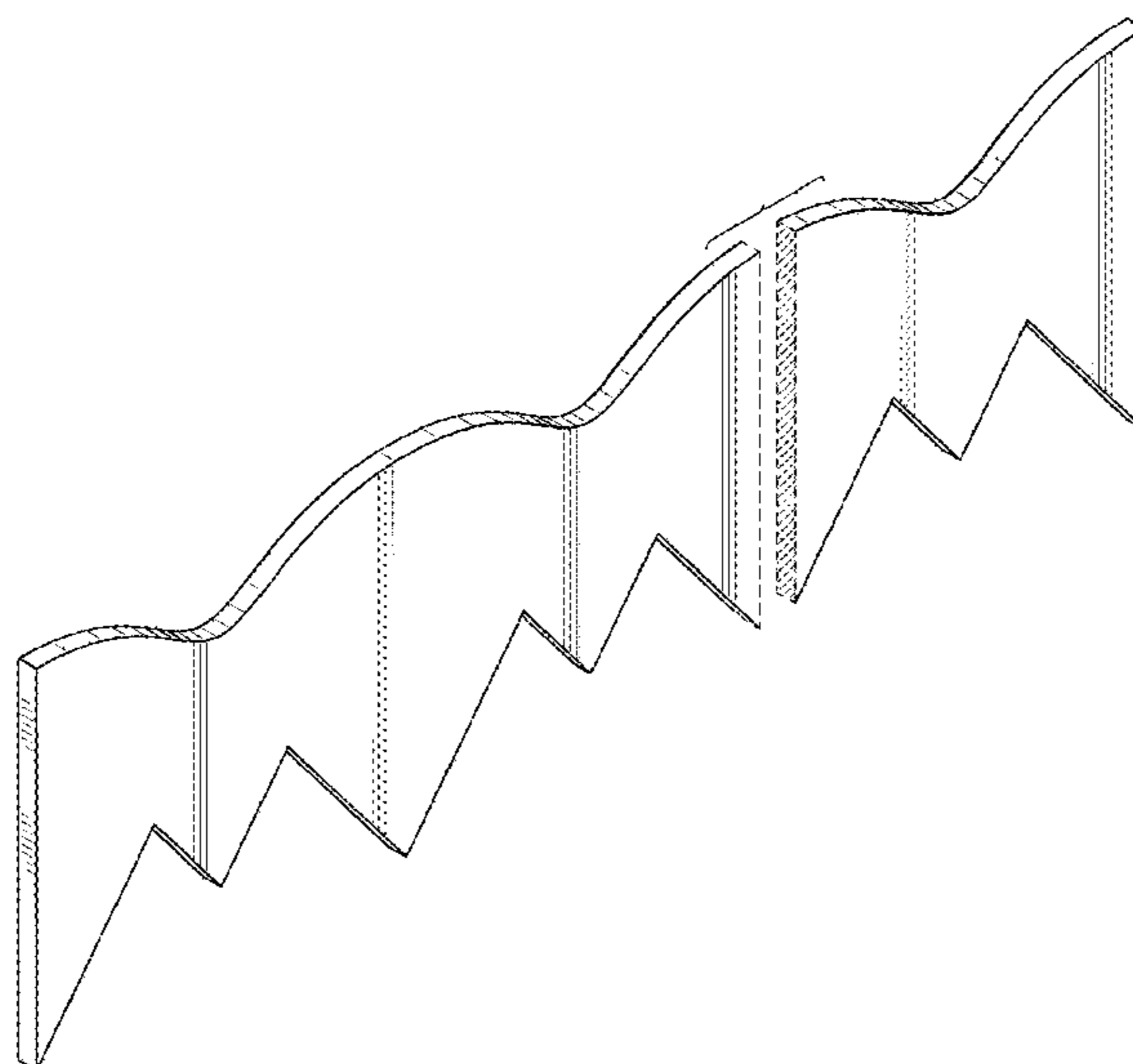
(57) **CLAIM**

The ornamental design for a landscape edging, as shown and described.

**DESCRIPTION**

FIG. 1 is a front isometric view of a landscape edging showing our new design;  
FIG. 2 is a front elevation view thereof, the rear elevation view being identical thereto;  
FIG. 3 is a right-side elevation view thereof, the left side elevation view being identical thereto;  
FIG. 4 is a top plan view thereof;  
FIG. 5 is a bottom plan view thereof; and,  
FIG. 6 is a top plan view thereof, showing the landscape edging of FIG. 1 in an alternate configuration.  
The landscape edging is shown with a symbolic break in its length. The appearance of any portion of the landscape edging between the break lines forms no part of the claimed design. The broken lines immediately adjacent to the shaded areas represent portions of the landscape edging that form no part of the claimed design.

**1 Claim, 4 Drawing Sheets**



(56)

References Cited

U.S. PATENT DOCUMENTS

2,184,904 A \* 12/1939 Boehme ..... A01G 1/08  
47/33

2,193,425 A 3/1940 Lake  
D130,420 S 11/1941 Schlatter  
D151,022 S 9/1948 Weber et al.  
D178,659 S 9/1956 Hield  
2,809,809 A 10/1957 Johnston  
2,865,136 A 12/1958 Howard  
2,877,600 A 3/1959 Slate  
D185,236 S 5/1959 Reese  
3,170,201 A 2/1965 Nofziger  
3,222,841 A 12/1965 Lipof  
3,314,193 A 4/1967 Chancellor  
3,332,197 A 7/1967 Hinkle  
3,378,949 A 4/1968 Dorris  
3,484,989 A 12/1969 Lazinsky  
3,520,082 A 7/1970 Smith  
3,604,164 A 9/1971 Mason  
3,619,944 A 11/1971 Matvey  
3,676,952 A \* 7/1972 Watts ..... A01G 1/08  
47/33

3,728,837 A 4/1973 Kiefer, Jr.  
3,788,001 A 1/1974 Balfanz, Jr.  
3,815,311 A 6/1974 Nisula et al.  
3,957,383 A 5/1976 Fredericks  
4,182,072 A 1/1980 Much  
4,202,145 A 5/1980 Coulter et al.  
D257,064 S \* 9/1980 Kobee ..... D8/1  
4,349,596 A 9/1982 Hendrix  
4,628,632 A 12/1986 Zwier  
4,744,194 A 5/1988 Yasuyoshi  
4,761,923 A 9/1988 Reum et al.  
4,809,459 A 3/1989 Brylla et al.  
4,824,068 A 4/1989 Ferland  
4,858,379 A 8/1989 West  
4,863,307 A 9/1989 Jones  
4,905,442 A 3/1990 Daniels  
4,907,783 A 3/1990 Fisk et al.  
4,987,717 A 1/1991 Dameron, Jr.  
5,020,272 A 6/1991 Herrema et al.  
5,048,241 A 9/1991 Gavin, Jr.  
5,117,583 A 6/1992 Reum  
D329,575 S \* 9/1992 Eberhart ..... D8/1  
D329,707 S 9/1992 Embree et al.  
D329,709 S 9/1992 Strobl, Jr.  
5,152,507 A 10/1992 Lee  
5,157,867 A 10/1992 Fritch  
5,212,917 A 5/1993 Kurtz et al.  
5,240,343 A 8/1993 Strobl, Jr.  
D339,199 S 9/1993 Rynberk  
5,301,461 A 4/1994 Zwier  
5,375,941 A 12/1994 Strobl, Jr.  
5,379,546 A 1/1995 Popp  
5,421,118 A 6/1995 Bauer  
5,442,877 A 8/1995 Lindhal  
D363,788 S 10/1995 Caley  
5,465,526 A \* 11/1995 Langley ..... A01G 1/08  
D25/164

D366,191 S 1/1996 Gay  
5,501,036 A 3/1996 Torp, Jr. et al.  
D368,969 S 4/1996 Davies  
5,519,970 A 5/1996 Reum et al.  
D372,547 S 8/1996 Sjodin  
D373,205 S 8/1996 Caley

5,544,445 A 8/1996 Mantilla  
D378,857 S 4/1997 Hale  
5,640,801 A 6/1997 Rynberk  
D393,164 S 4/1998 Russell et al.  
5,771,643 A 6/1998 Parker  
5,772,357 A 6/1998 Evans  
D400,985 S 11/1998 Risi  
D408,558 S 4/1999 Levy  
D413,397 S \* 8/1999 Benjamin ..... D25/164  
5,930,947 A 8/1999 Eckhoff  
5,941,018 A 8/1999 Herrema  
D416,096 S \* 11/1999 Tisbo ..... D25/164  
6,012,254 A 1/2000 Gaston  
6,030,144 A 2/2000 Cannella  
6,038,811 A 3/2000 Conway  
D424,714 S 5/2000 Hale  
6,085,458 A 7/2000 Gau  
6,099,201 A 8/2000 Abbrancati  
6,108,969 A 8/2000 Danna et al.  
6,226,934 B1 5/2001 Gaston  
6,324,782 B1 12/2001 Gaston  
6,324,783 B1 12/2001 McIntyre et al.  
D453,578 S 2/2002 Olson  
6,345,465 B1 2/2002 Allen et al.  
6,379,078 B1 4/2002 Zwier  
6,385,898 B1 5/2002 Noel  
D462,788 S 9/2002 Thornton et al.  
D463,581 S 9/2002 Mann  
6,449,897 B1 9/2002 Gaston  
6,485,226 B1 11/2002 Harger  
D467,015 S 12/2002 O'Brien  
6,568,126 B2 5/2003 Womack  
6,619,565 B1 9/2003 Abbott  
6,629,383 B2 10/2003 Allen et al.  
D489,465 S 5/2004 Allsopp  
6,754,989 B2 6/2004 Eicher  
6,779,297 B2 8/2004 Conde  
D541,952 S 5/2007 Keeley et  
D543,286 S 5/2007 Keeley et al.  
D548,368 S 8/2007 Hale et al.  
D586,005 S 2/2009 Schumaker et al.  
D586,926 S 2/2009 Orton  
D606,670 S 12/2009 Keeley  
D612,072 S 3/2010 Keeley  
D733,936 S 7/2015 Amrine et al.  
9,232,698 B1 \* 1/2016 Williams ..... A01G 1/08  
D748,822 S 2/2016 Amrine et al.  
D748,823 S 2/2016 Amrine et al.  
D776,834 S \* 1/2017 Amrine ..... D25/164  
2002/0139045 A1 10/2002 Womack  
2003/0188478 A1 10/2003 Womack

FOREIGN PATENT DOCUMENTS

JP 7255277 10/1995  
JP 2002253060 A 9/2002  
JP 3490497 B2 1/2004

OTHER PUBLICATIONS

Valley View Specialties Co., Diamond-Lok Paver/Briick Edging,  
Pre Apr. 1996.  
Permaloc, Structure Edge Interlocking Snap-down Splicing System,  
Pre Apr. 1996.

\* cited by examiner

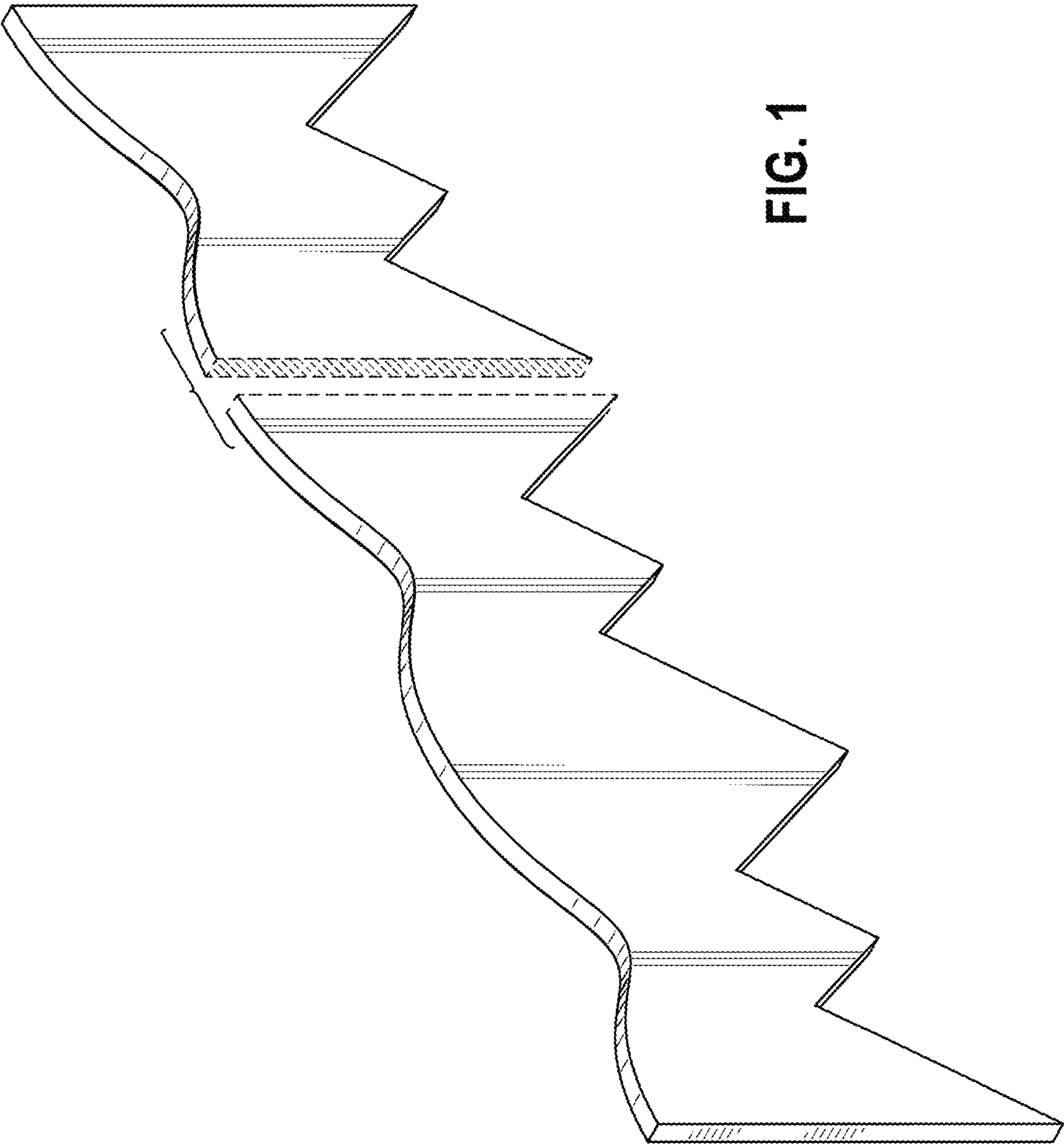


FIG. 1



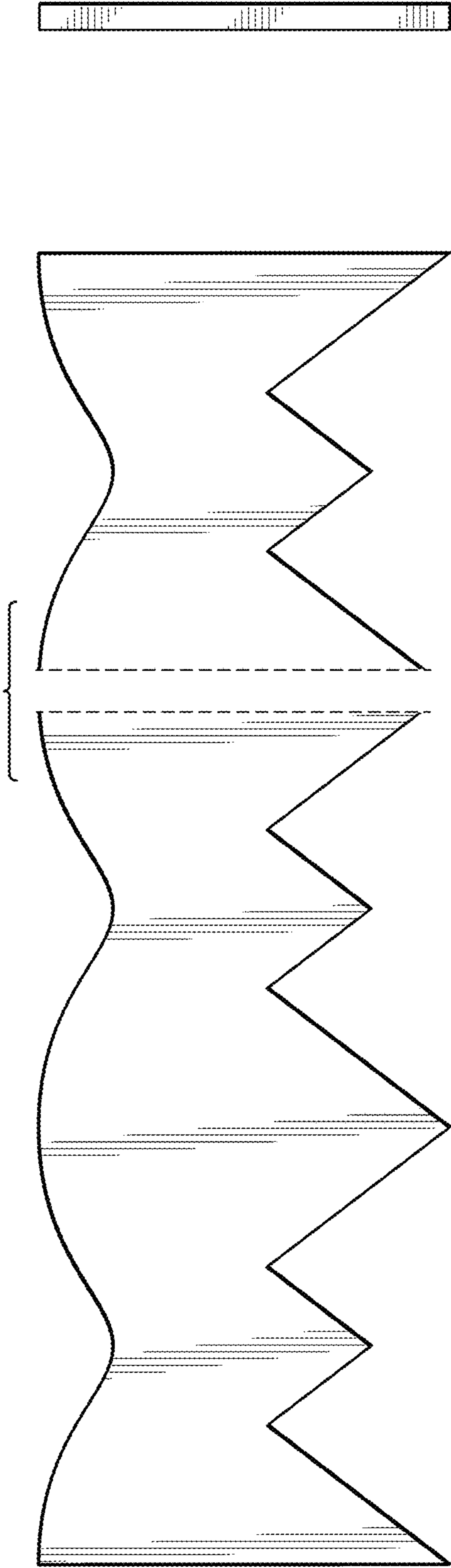
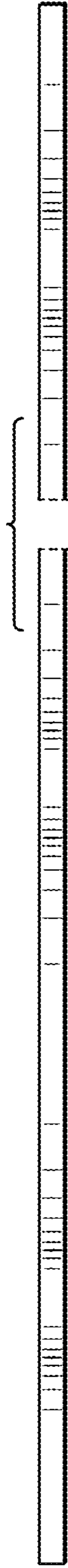


FIG. 3

FIG. 2



**FIG. 4**



**FIG. 5**

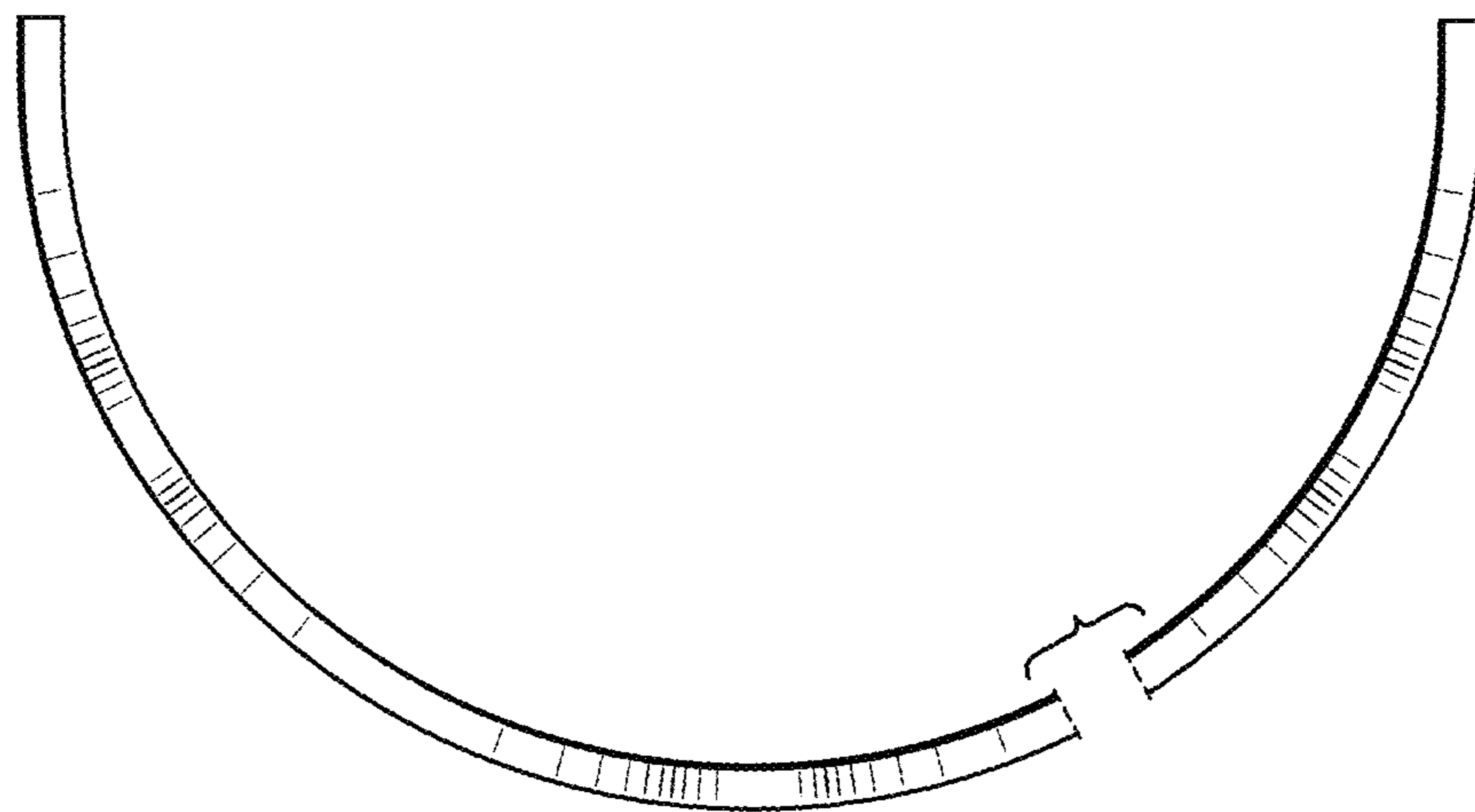


FIG. 6