



US00D797318S

(12) **United States Design Patent** (10) **Patent No.:** **US D797,318 S**  
**Van Dore et al.** (45) **Date of Patent:** **\*\* Sep. 12, 2017**

(54) **ARCHITECTURAL CEILING PANEL APPARATUS**

(71) Applicant: **ARMSTRONG WORLD INDUSTRIES, INC.**, Lancaster, PA (US)

(72) Inventors: **Jonathan P. Van Dore**, Lititz, PA (US); **Ryan D. Hanuschak**, Lancaster, PA (US)

(73) Assignee: **AWI Licensing LLC**, Wilmington, DE (US)

(\*\*) Term: **14 Years**

(21) Appl. No.: **29/512,831**

(22) Filed: **Dec. 23, 2014**

(51) **LOC (10) Cl.** ..... **25-01**

(52) **U.S. Cl.**  
USPC ..... **D25/138**

(58) **Field of Classification Search**  
USPC ..... 362/278, 307, 606; 52/506.07, 80.1, 22, 52/506.09, 752, 763, 309.1, 316, 222,  
(Continued)

(56) **References Cited**

U.S. PATENT DOCUMENTS

3,391,504 A 7/1968 McLorg  
3,638,368 A 2/1972 Pierson  
(Continued)

*Primary Examiner* — Susan Bennett Hattan

*Assistant Examiner* — Camelia H Styles

(74) *Attorney, Agent, or Firm* — Craig M Sterner

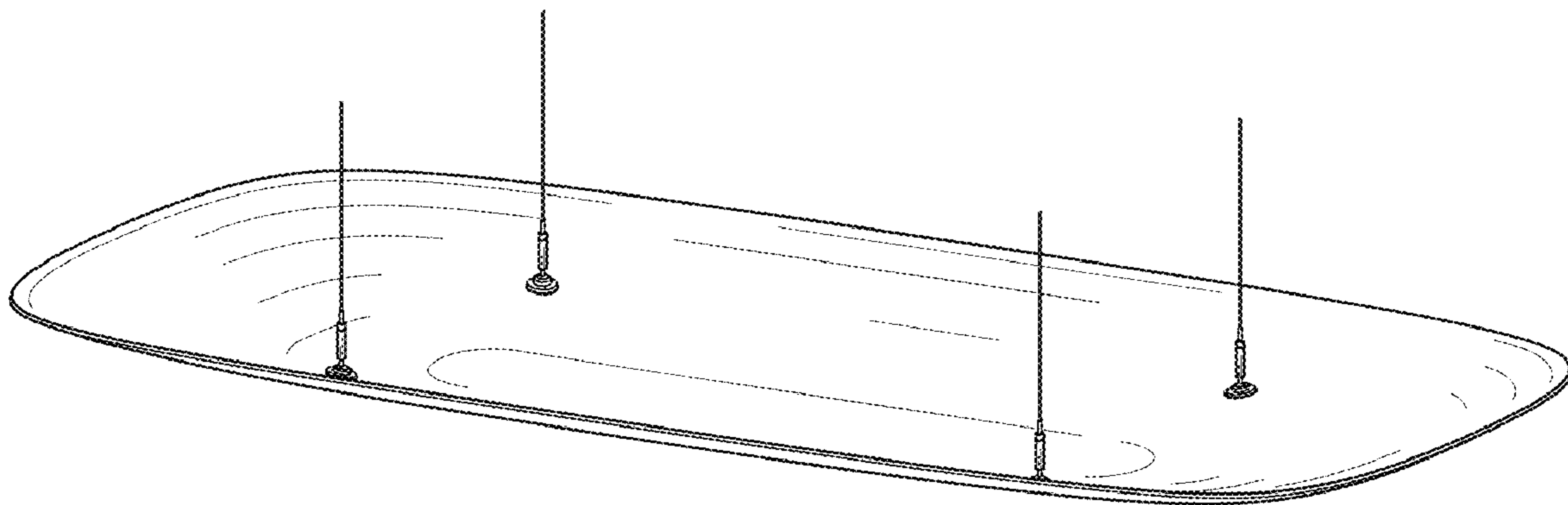
(57) **CLAIM**

We claim the ornamental design for an architectural ceiling panel apparatus, as shown and described.

**DESCRIPTION**

FIG. 1 is an elevated perspective view of an architectural ceiling panel apparatus showing my new design in accordance with a first embodiment of the present invention; FIG. 2 is a bottom perspective view of the architectural ceiling panel apparatus of FIG. 1; FIG. 3 is a right-side plan view of the architectural ceiling panel apparatus of FIG. 1; FIG. 4 is a left-side plan view of the architectural ceiling panel apparatus of FIG. 1; FIG. 5 is a front plan view of the architectural ceiling panel apparatus of FIG. 1; FIG. 6 is a rear plan view of the architectural ceiling panel apparatus of FIG. 1; FIG. 7 is a top plan view of the architectural ceiling panel apparatus of FIG. 1; FIG. 8 is a bottom plan view of the architectural ceiling panel apparatus of FIG. 1; FIG. 9 is an elevated perspective view of an architectural ceiling panel apparatus showing my new design in accordance with a second embodiment of the present invention; FIG. 10 is a bottom perspective view of the architectural ceiling panel apparatus of FIG. 9; FIG. 11 is a right-side plan view of the architectural ceiling panel apparatus of FIG. 9; FIG. 12 is a left-side plan view of the architectural ceiling panel apparatus of FIG. 9; FIG. 13 is a front plan view of the architectural ceiling panel apparatus of FIG. 9; FIG. 14 is a rear plan view of the architectural ceiling panel apparatus of FIG. 9; FIG. 15 is a top plan view of the architectural ceiling panel apparatus of FIG. 9; and, FIG. 16 is a bottom plan view of the architectural ceiling panel apparatus of FIG. 9.

**1 Claim, 8 Drawing Sheets**



# US D797,318 S

Page 2

(58) **Field of Classification Search**

USPC ..... 52/220.6, 236.1, 313, 390, 506.01,  
52/506.06, 506.08; D25/103, 138, 150,  
D25/157, 58; D26/88, 72, 75, 76, 80, 86,  
D26/90, 91, 92, 118, 120, 84-85,  
D26/128-129; 428/51, 52, 106; D7/12,  
D7/9, 6, 35, 32, 39, 23; D20/11, 26;  
D59/1 D; D92/1 A, 1 B, 1 C; D64/2 E;  
434/127; 432/259; 280/18, 18.1;  
297/273; 472/118; 5/104, 120; D6/387,  
D6/347  
CPC .... F21S 8/06; F21S 8/061; F21S 8/063; F21S  
8/065; F21S 8/068; E04B 9/061; E04B  
9/26; E04B 9/122; E04B 9/003; E04B  
9/0435; E04B 9/0478; E04B 9/068  
See application file for complete search history.

(56) **References Cited**

U.S. PATENT DOCUMENTS

4,393,631 A 7/1983 Krent  
4,666,171 A 5/1987 Sellers

5,149,117 A 9/1992 Wilkens, Sr. et al.  
5,511,258 A 4/1996 Barr, Sr.  
D429,357 S \* 8/2000 Grimm ..... D26/76  
D547,482 S \* 7/2007 Blackman ..... D26/75  
D584,848 S \* 1/2009 Menke ..... D26/76  
D595,890 S \* 7/2009 Sabernig ..... D26/84  
D600,394 S \* 9/2009 Ambruster ..... D26/90  
D620,180 S \* 7/2010 Sabernig ..... D26/84  
D624,938 S 10/2010 Kelly et al.  
D632,004 S \* 2/2011 Waldmann ..... D26/76  
8,096,089 B2 \* 1/2012 Platt ..... E04B 9/0414  
52/316  
D654,212 S \* 2/2012 Blum ..... D26/118  
8,454,450 B1 6/2013 Cordray  
8,528,266 B2 9/2013 Ellen  
D700,989 S \* 3/2014 Rampolla ..... D26/88  
D728,145 S \* 4/2015 Shiqiang ..... D26/88  
D735,928 S \* 8/2015 Hawkins ..... D26/120  
D745,735 S \* 12/2015 Tran ..... D26/80  
2010/0095606 A1 4/2010 Bankston  
2015/0345139 A1 \* 12/2015 Underkofler ..... E04B 9/003  
52/506.08

\* cited by examiner

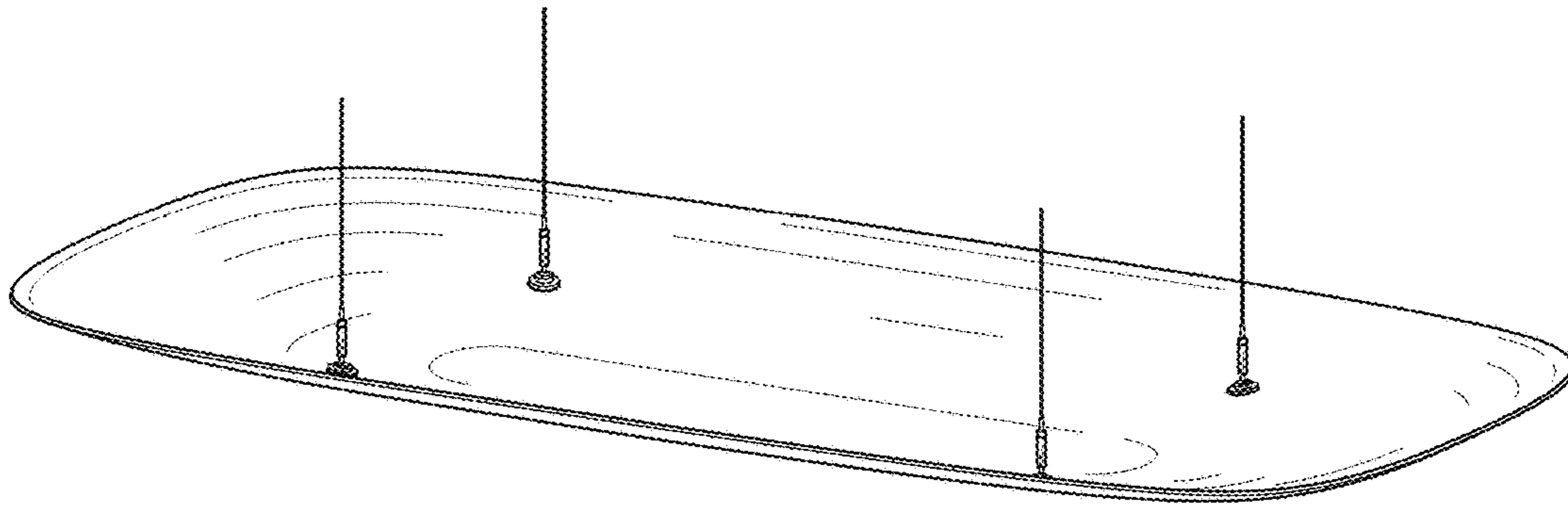


FIG. 1

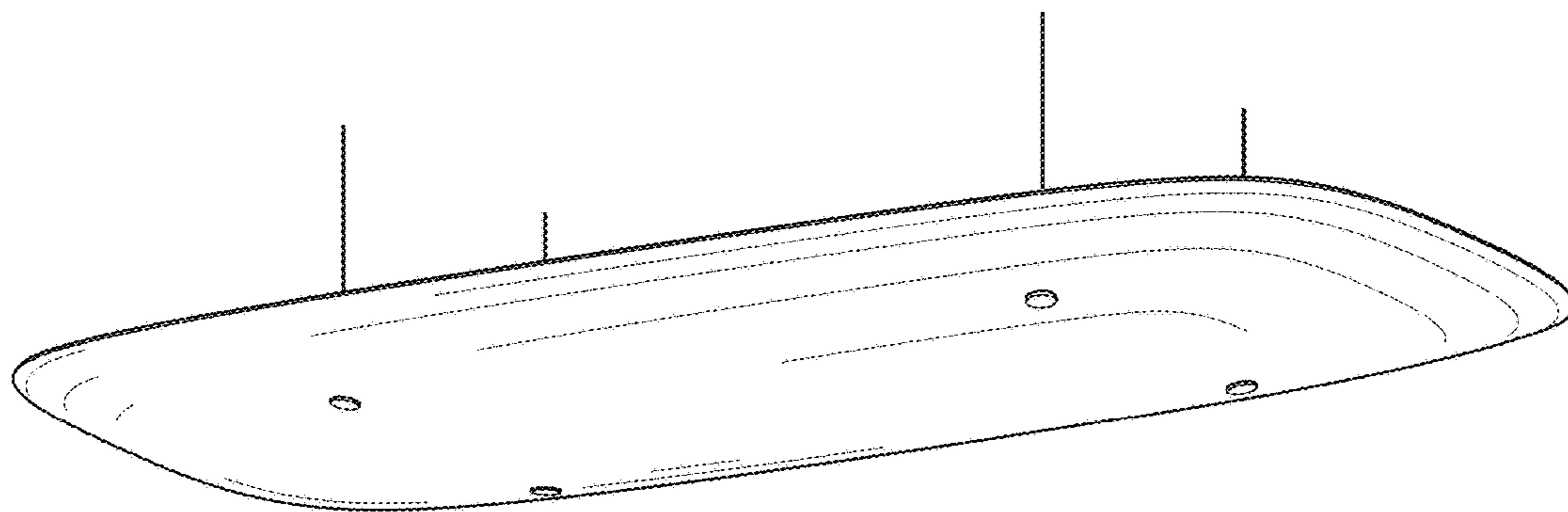


FIG. 2



FIG. 3



FIG. 4

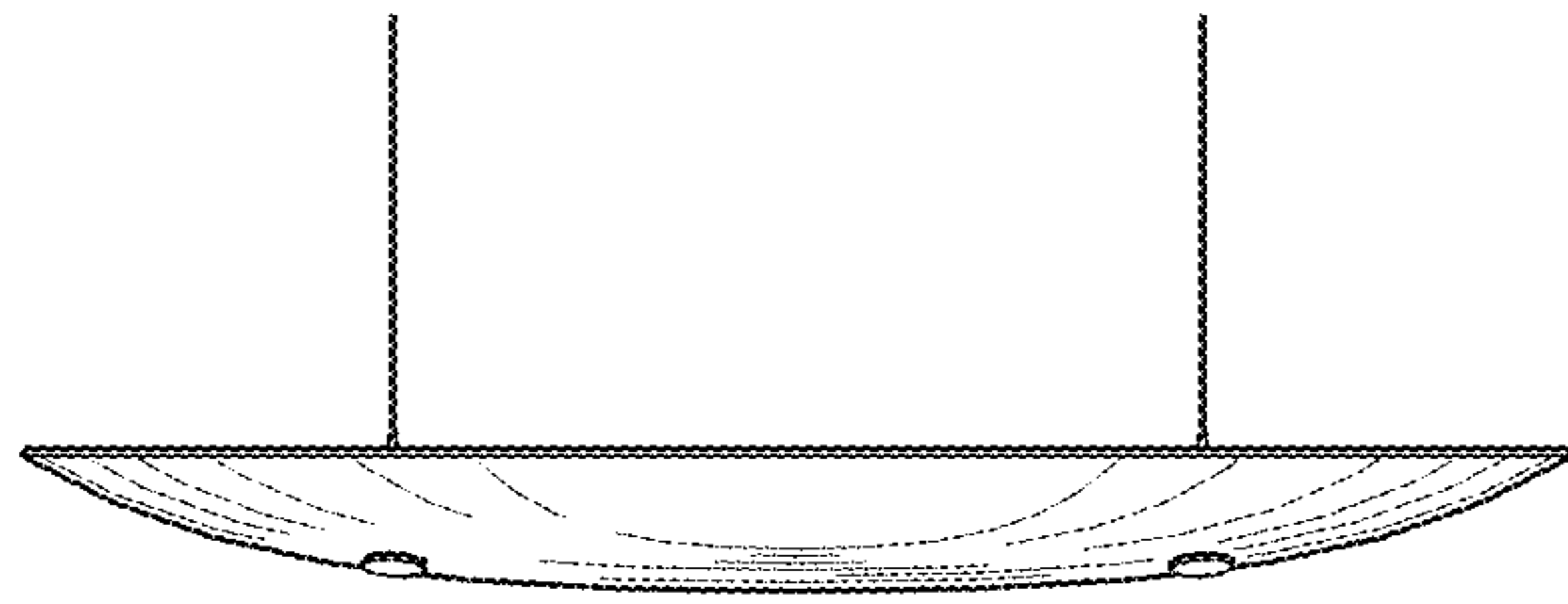


FIG. 5

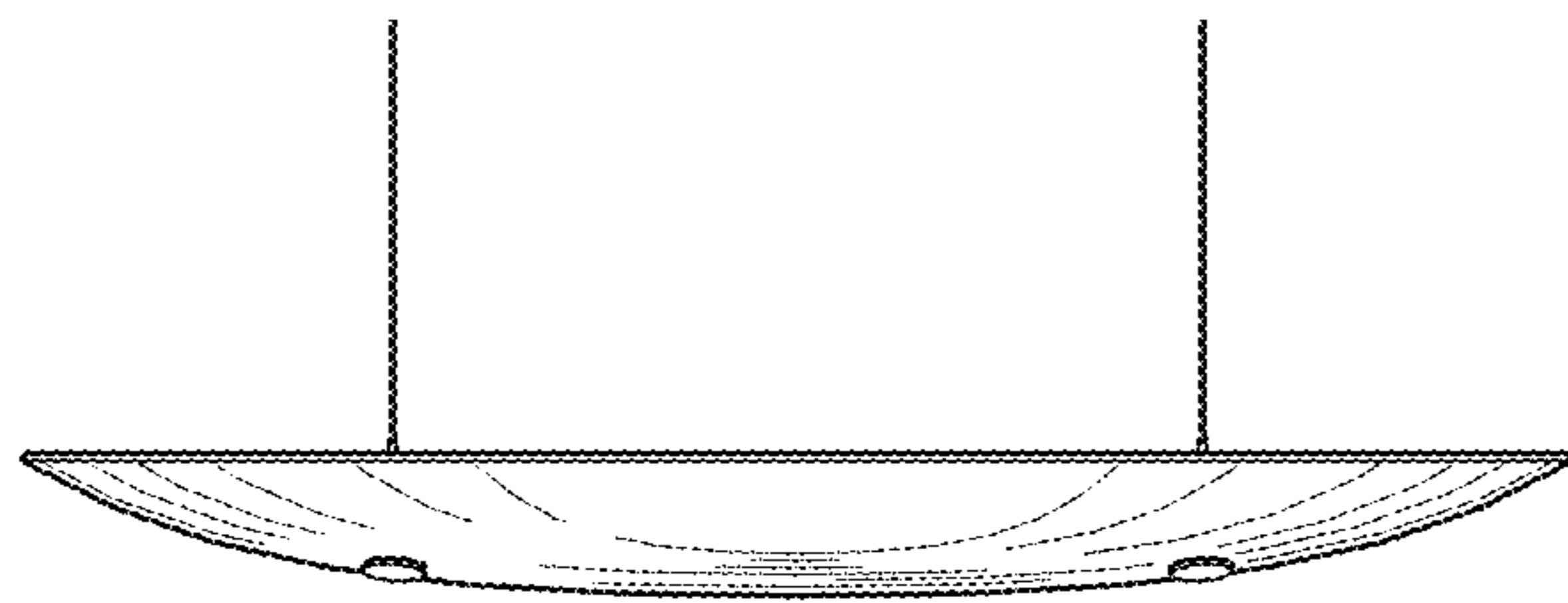


FIG. 6

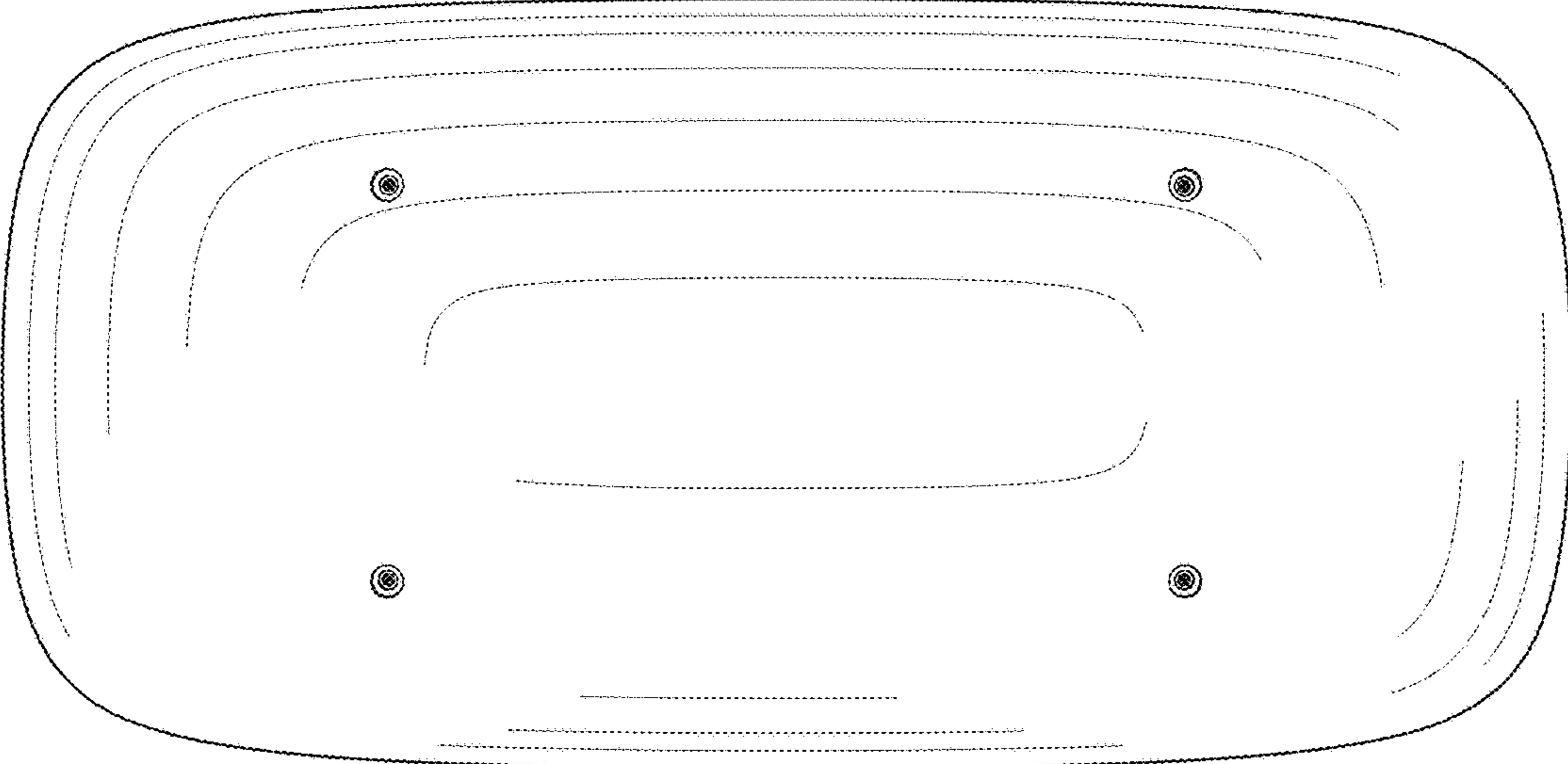


FIG. 7

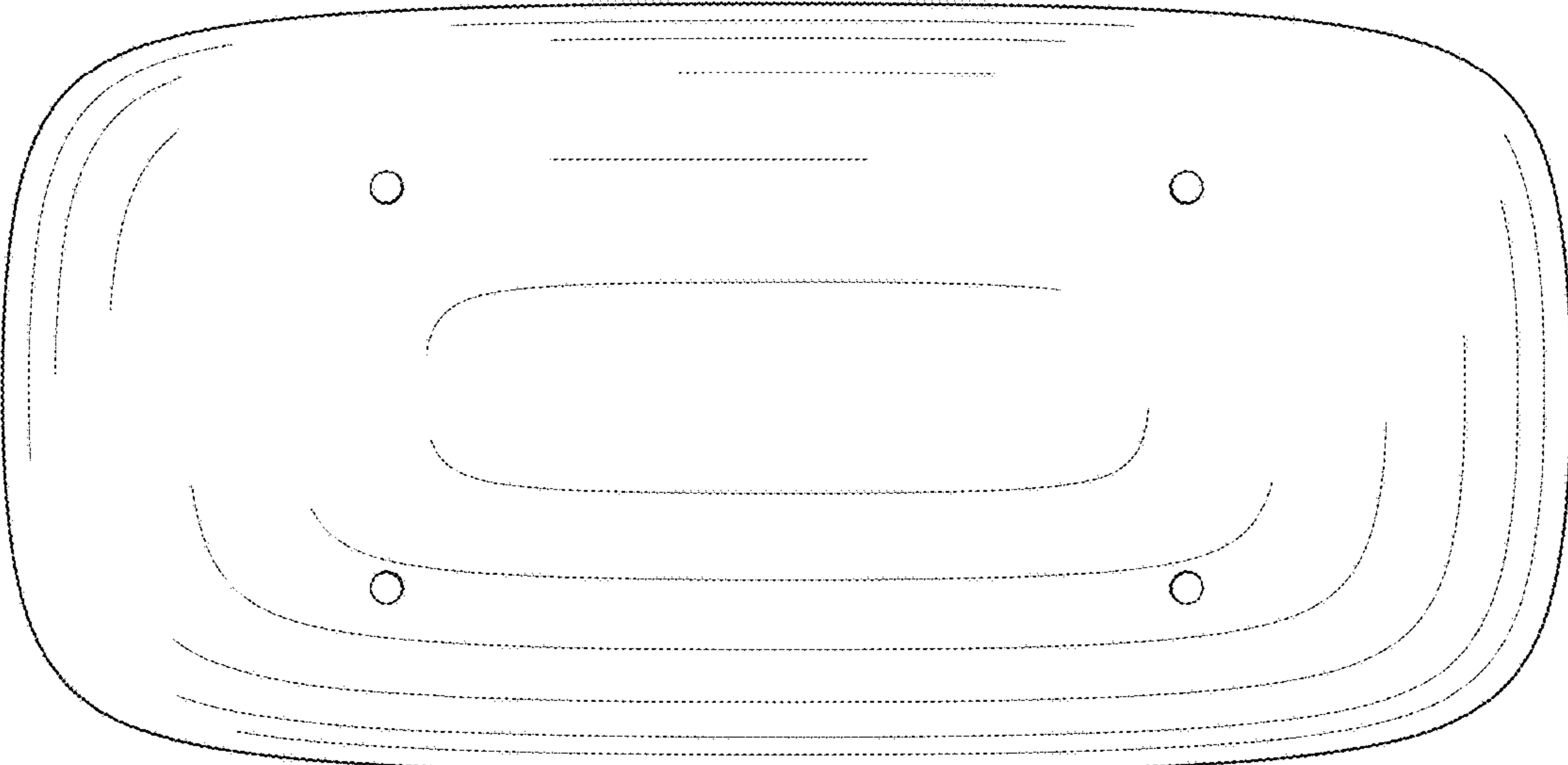


FIG. 8

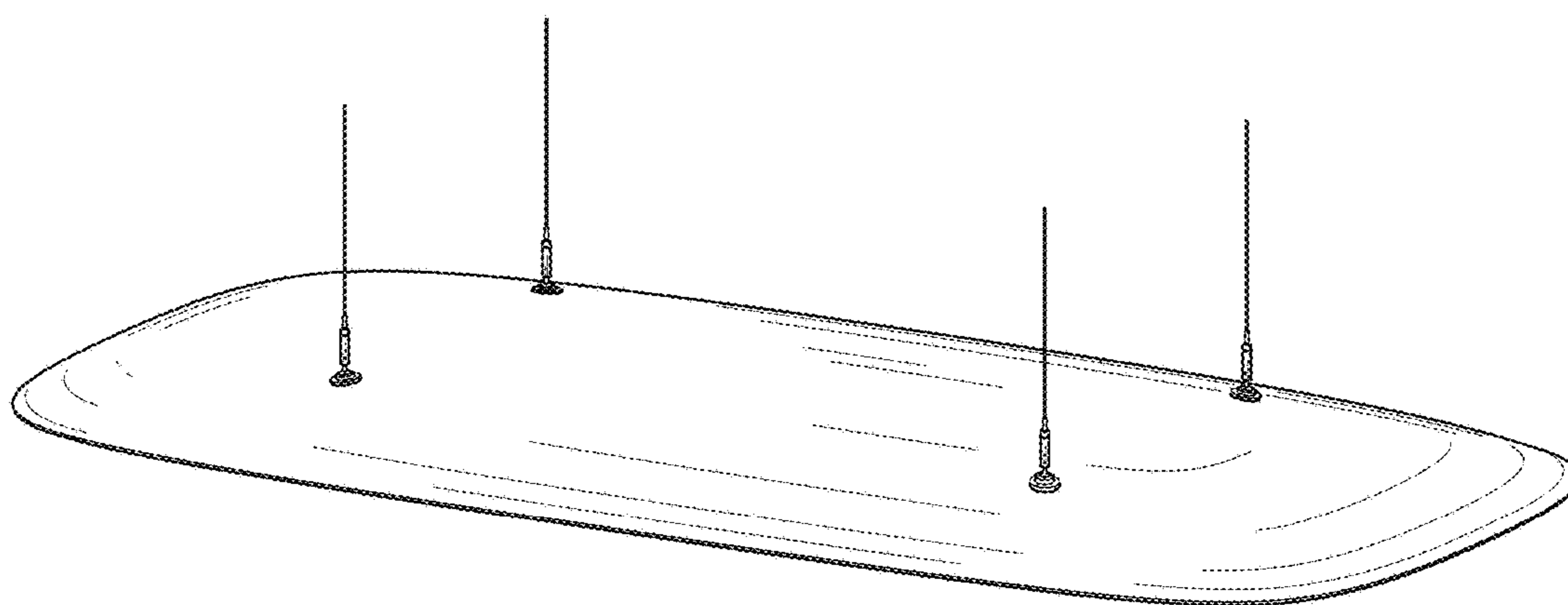


FIG. 9

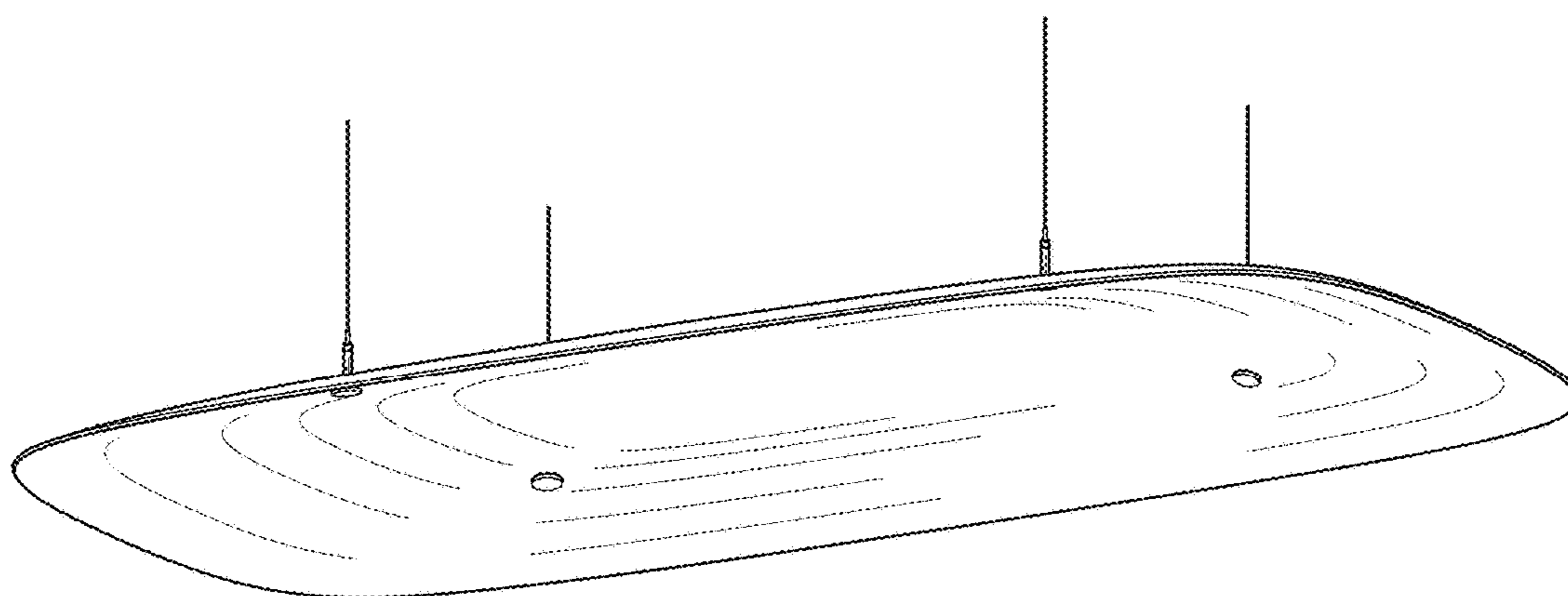


FIG. 10

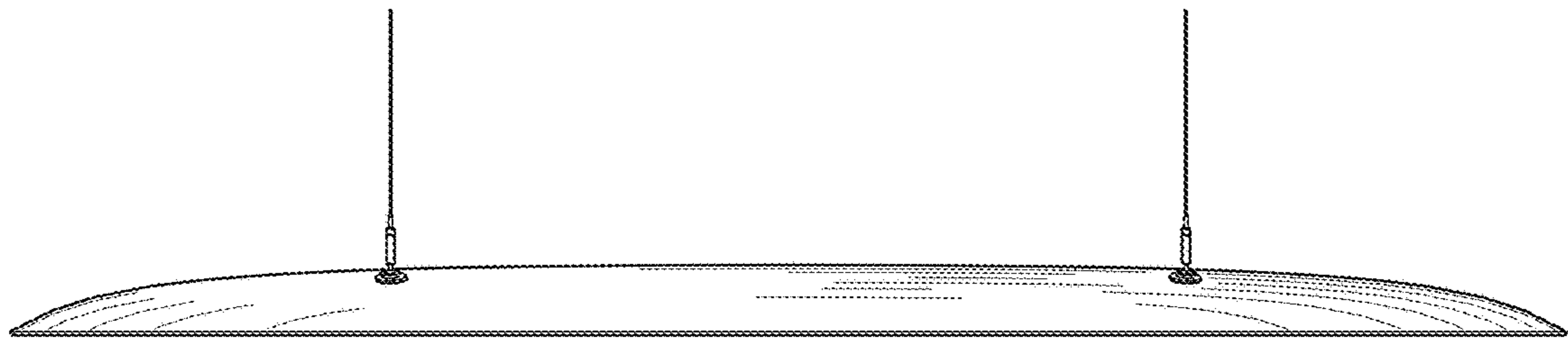


FIG. 11



FIG. 12



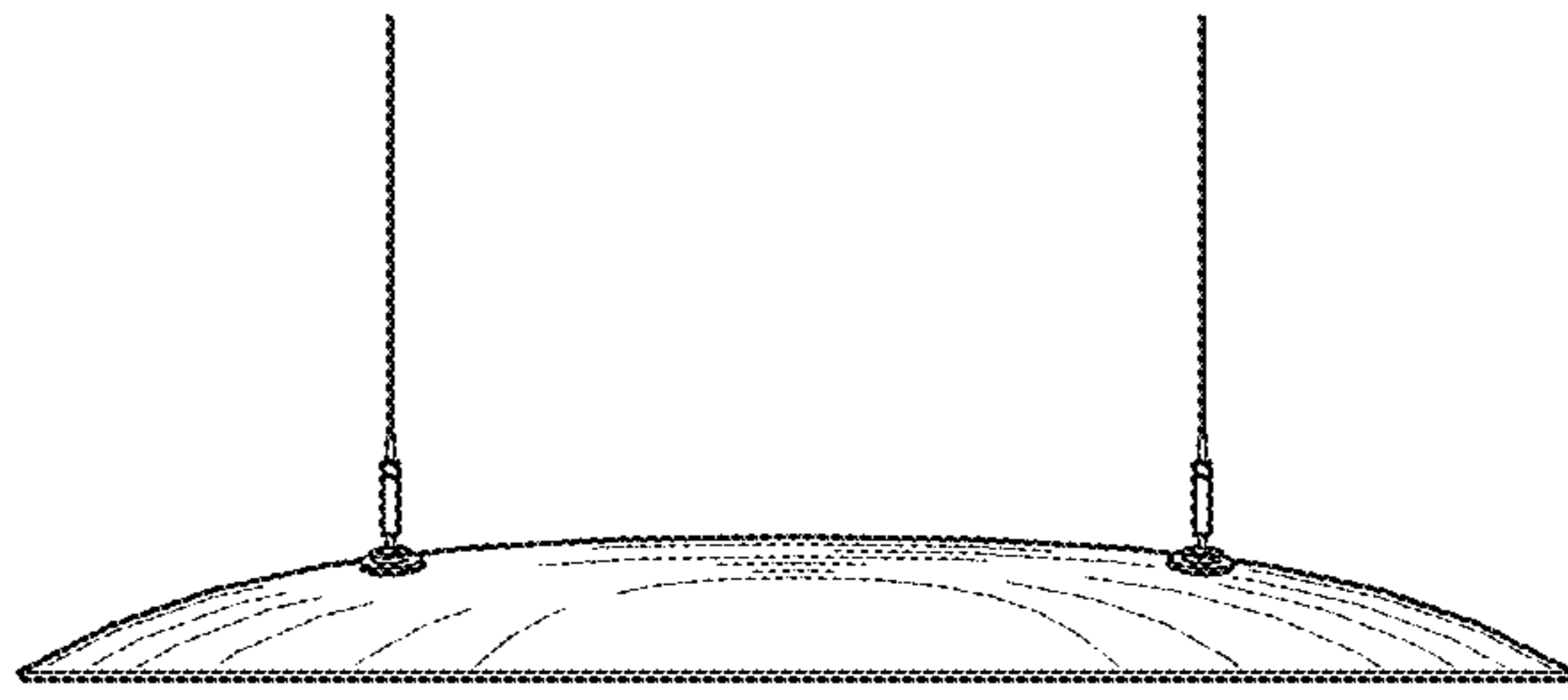


FIG. 13

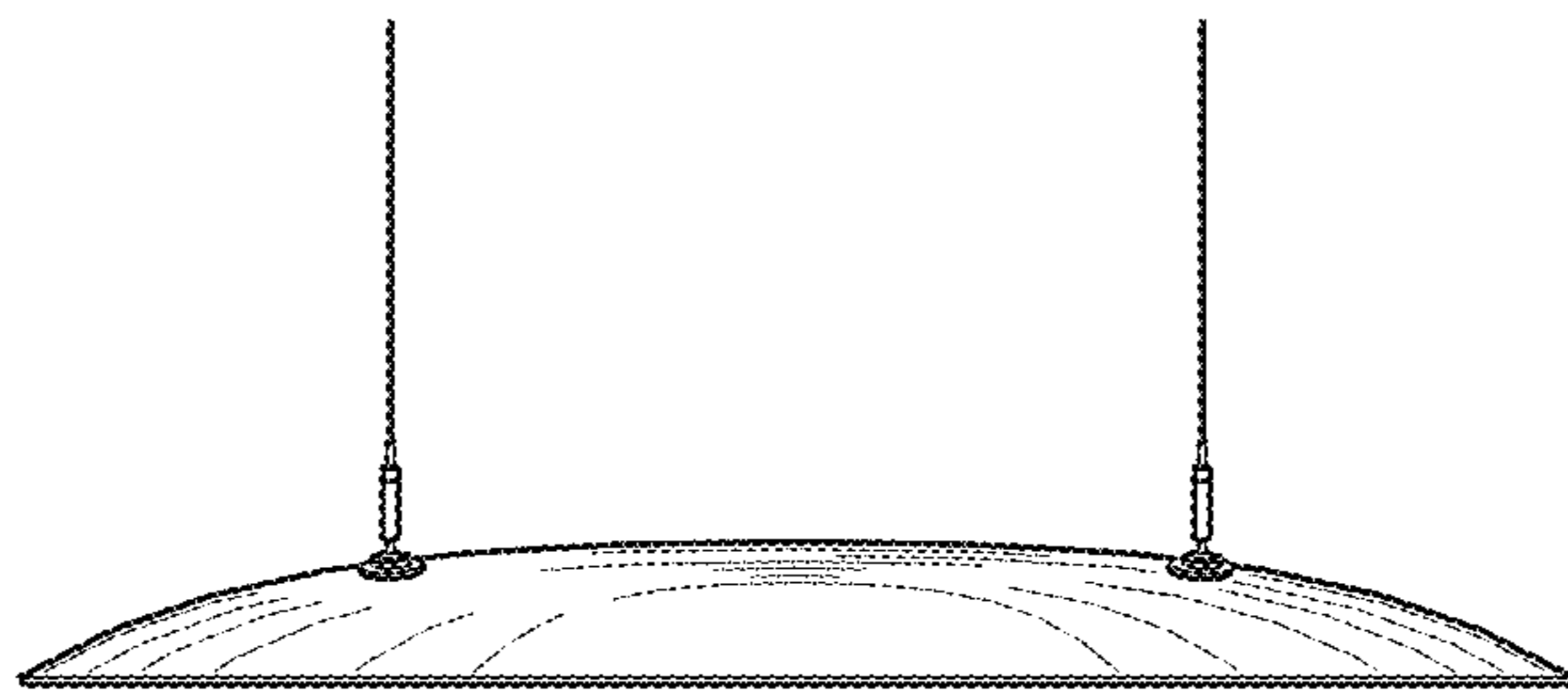


FIG. 14

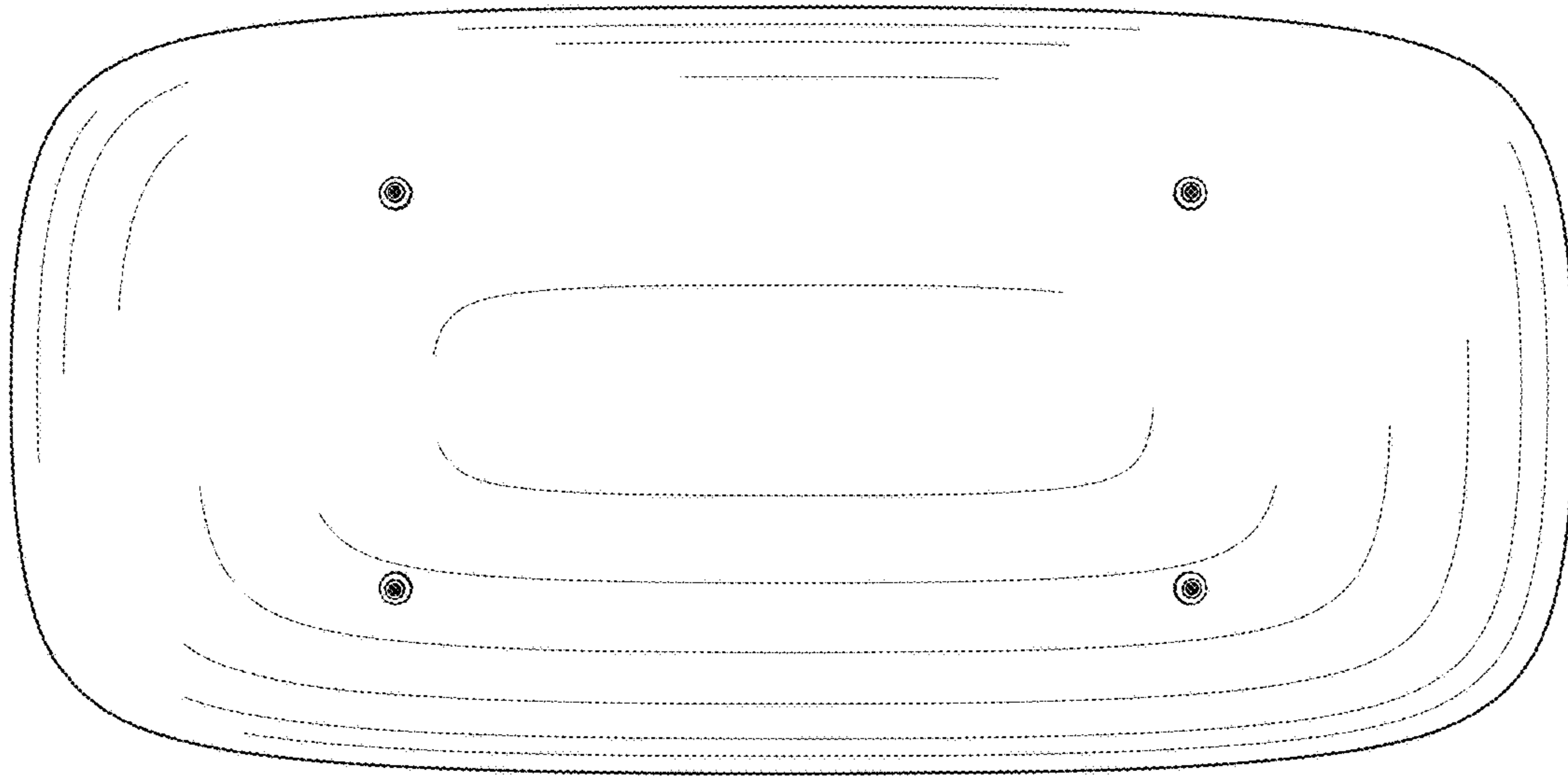


FIG. 15

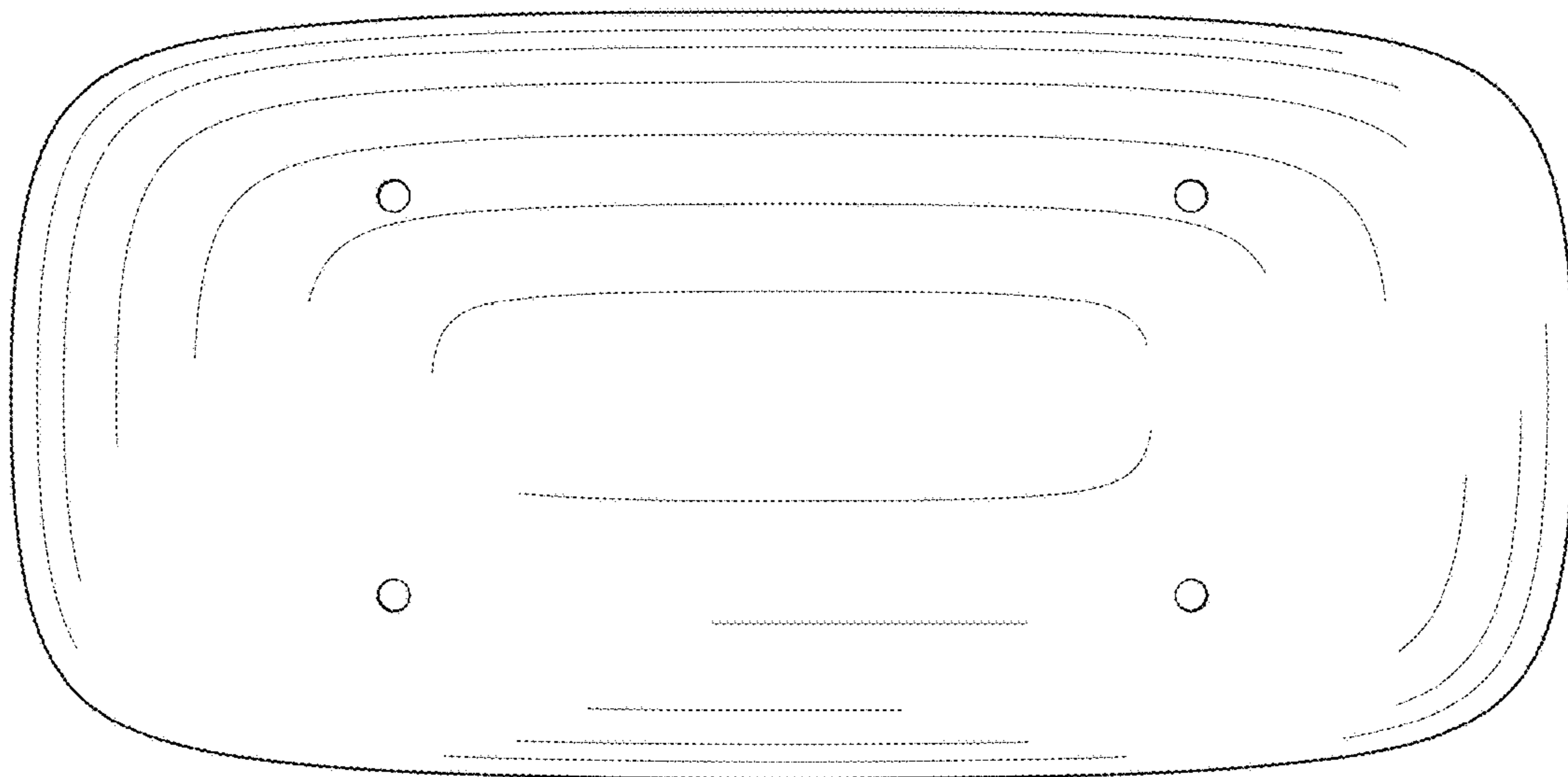


FIG. 16