



US00D797317S

(12) **United States Design Patent** (10) **Patent No.:** **US D797,317 S**  
**Wickland et al.** (45) **Date of Patent:** **\*\* Sep. 12, 2017**

(54) **WINDOW COMPONENT EXTRUSION**

3/305; E06B 3/22; E06B 3/222; E06B 3/24; E06B 2003/66385

(71) Applicant: **Mikron Industries, Inc.**, Kent, WA (US)

See application file for complete search history.

(72) Inventors: **Timothy T. Wickland**, Auburn, WA (US); **Martin S. Kosonen**, Seattle, WA (US)

(56) **References Cited**

U.S. PATENT DOCUMENTS

(73) Assignee: **Mikron Industries, Inc.**, Kent, WA (US)

(\*\*) Term: **15 Years**

(21) Appl. No.: **29/574,893**

(22) Filed: **Aug. 19, 2016**

D338,973	S	*	8/1993	Cole	.....	D25/124
D379,529	S	*	5/1997	DiGiorgio	.....	D25/124
D495,808	S	*	9/2004	Habeck	.....	D25/119
D576,745	S	*	9/2008	Fannan	.....	D25/124
D583,077	S	*	12/2008	Campbell	.....	D25/124
D591,434	S	*	4/2009	Campbell	.....	D25/124
D592,763	S	*	5/2009	Campbell	.....	D25/124
D597,221	S	*	7/2009	Campbell	.....	D25/124
D600,361	S	*	9/2009	Campbell	.....	D25/124
D602,174	S	*	10/2009	Franson	.....	D25/124
D603,532	S	*	11/2009	Lockbeam	.....	D25/124
D608,465	S	*	1/2010	Franson	.....	D25/124
D615,666	S	*	5/2010	Stephens	.....	D25/124
D691,739	S	*	10/2013	Wickland	.....	D25/124
D693,486	S	*	11/2013	Wickland	.....	D25/124

(Continued)

**Related U.S. Application Data**

(62) Division of application No. 29/527,787, filed on May 21, 2015, now Pat. No. Des. 775,740.

(51) **LOC (10) Cl.** ..... **25-01**

(52) **U.S. Cl.**  
USPC ..... **D25/124**

(58) **Field of Classification Search**  
USPC .... D25/35, 44, 48.7, 60, 119-125, 136-137, D25/138, 139, 164, 199; 52/204.1, 204.2, 52/204.5, 204.51, 204.55, 204.61, 204.62, 52/204.69, 207.7, 204.72, 206, 208, 209, 52/212, 213, 215, 579, 656.2, 656.4, 52/656.5, 656.6, 656.7, 800.13, 717.01, 52/793.1, 794.1; D20/42, 43, 44;

D34/35  
CPC .... E06B 1/00; E06B 1/02; E06B 1/04; E06B 1/045; E06B 1/12; E06B 1/16; E06B 1/34; E06B 1/342; E06B 1/345; E06B 1/347; E06B 1/36; E06B 1/363; E06B 1/366; E06B 1/38; E06B 1/40; E06B 1/52; E06B 1/522; E06B 1/524; E06B 1/526; E06B 1/528; E06B 1/56; E06B 1/60; E06B 1/6092; E06B 1/62; E06B 1/70; E06B 1/702; E06B 1/705; E06B

*Primary Examiner* — Cynthia Ramirez

*Assistant Examiner* — Llorellys Martinez-Rivera

(74) *Attorney, Agent, or Firm* — Zollinger & Burleson Ltd.

(57) **CLAIM**

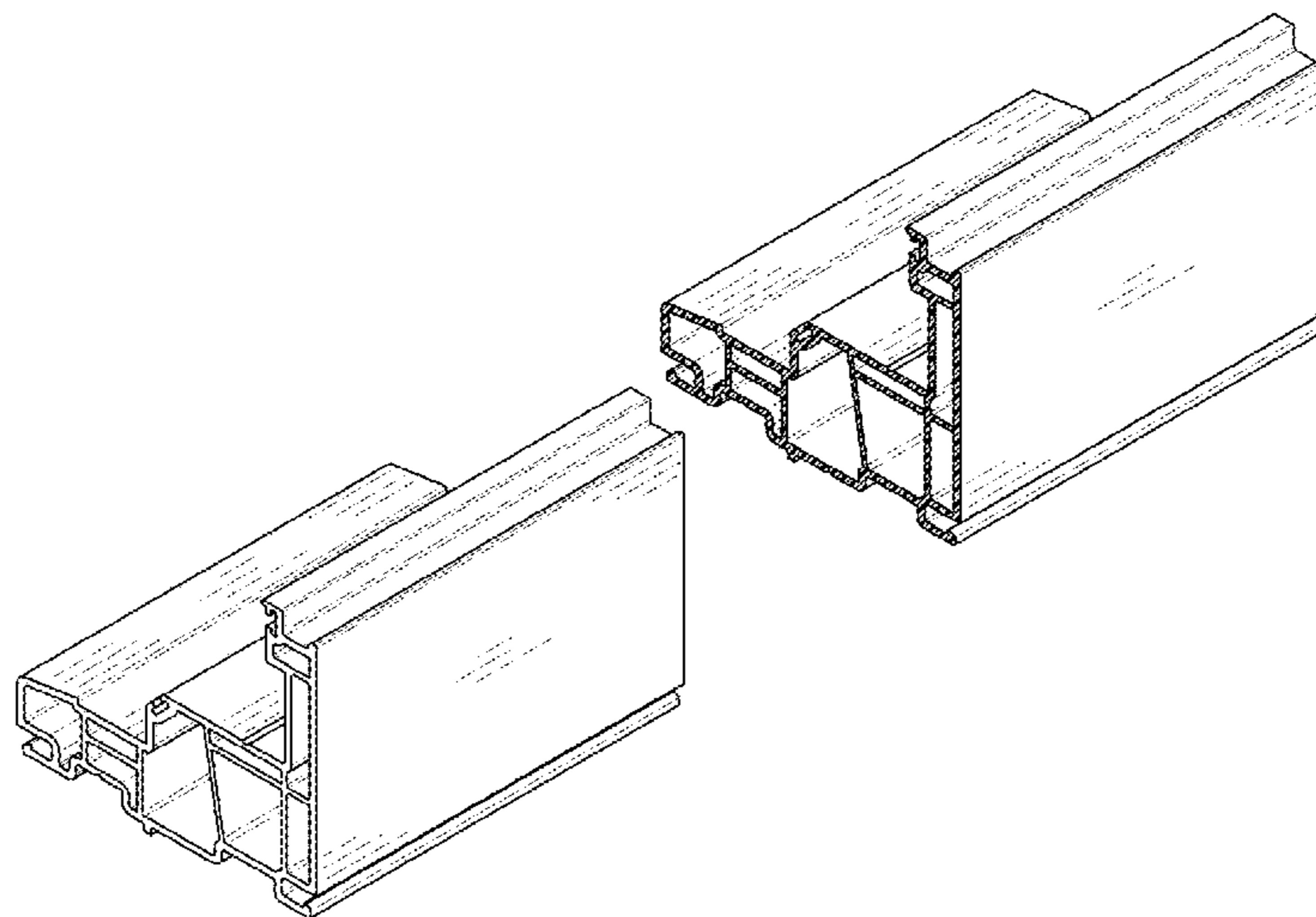
The ornamental design for a window component extrusion, as shown and described.

**DESCRIPTION**

FIG. 1 is a top perspective view of a window component extrusion showing our new design; and, FIG. 2 is a bottom perspective view of the window component extrusion in FIG. 1.

The window component extrusion is shown with a symbolic break in its length. The appearance of any portion of the window component extrusion between the break lines forms no part of the claimed design.

**1 Claim, 2 Drawing Sheets**



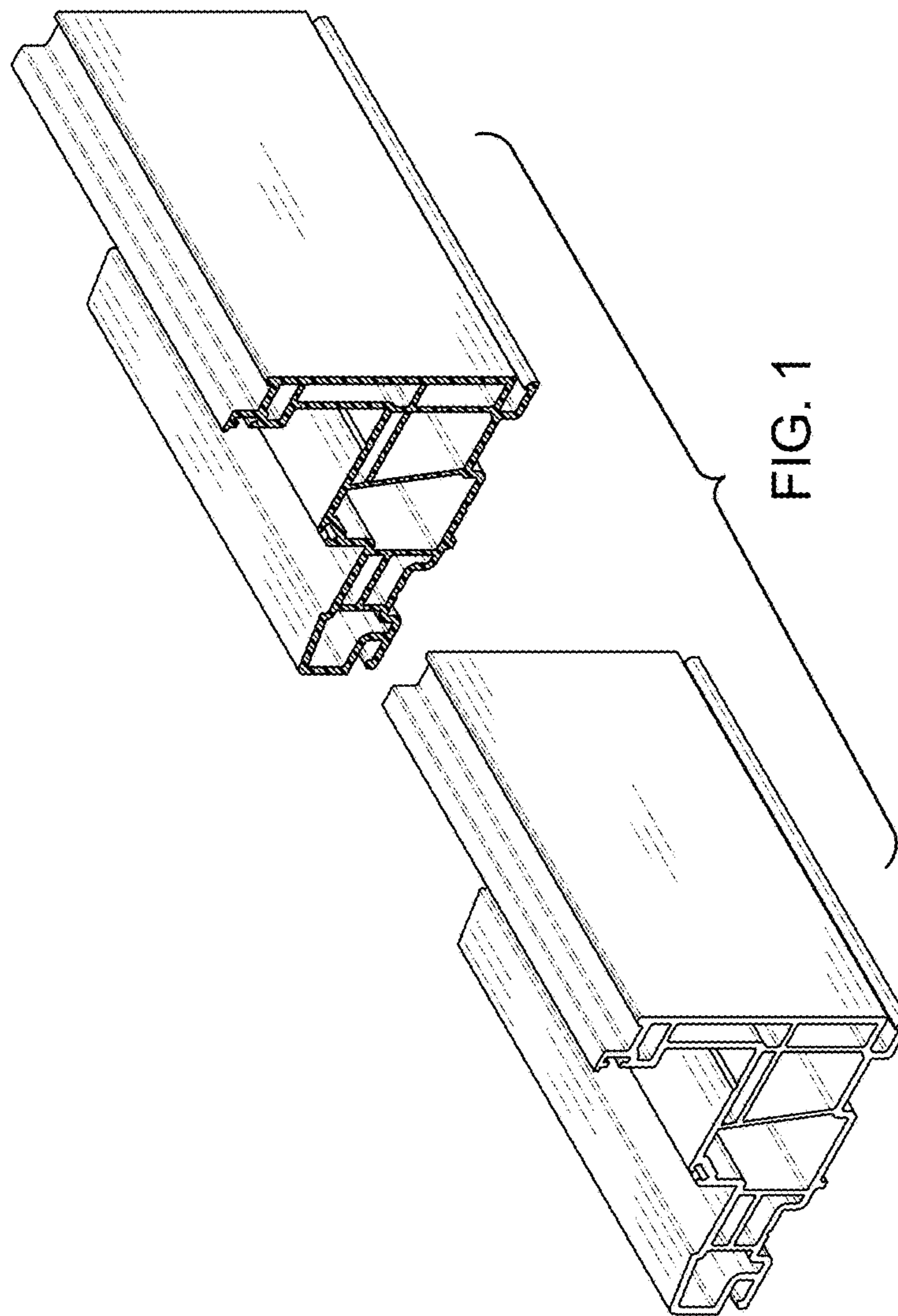
(56)

**References Cited**

U.S. PATENT DOCUMENTS

D693,492	S	*	11/2013	Wickland .....	D25/124
D713,058	S	*	9/2014	Kosonen .....	D25/124
D713,555	S	*	9/2014	Stankay .....	D25/124
D714,468	S	*	9/2014	Fannan .....	D25/124
D718,878	S	*	12/2014	Fannan .....	D25/119
D720,084	S	*	12/2014	Wickland .....	D25/124
D720,085	S	*	12/2014	Wickland .....	D25/124
D724,762	S	*	3/2015	Decicio .....	D25/124
D724,766	S	*	3/2015	Fannan .....	D25/124
D725,295	S	*	3/2015	Fannan .....	D25/124
D727,537	S	*	4/2015	Campbell .....	D25/124
D732,204	S	*	6/2015	Campbell .....	D25/124
D735,359	S	*	7/2015	Chaney .....	D25/124
D769,465	S	*	10/2016	Fannan .....	D25/124
D769,466	S	*	10/2016	Fannan .....	D25/124
D769,467	S	*	10/2016	Roberts .....	D25/124
D775,740	S	*	1/2017	Wickland .....	D25/124
D777,949	S	*	1/2017	Fannan .....	D25/124
2005/0050815	A1	*	3/2005	Engebretson .....	E06B 1/345 52/204.52

\* cited by examiner





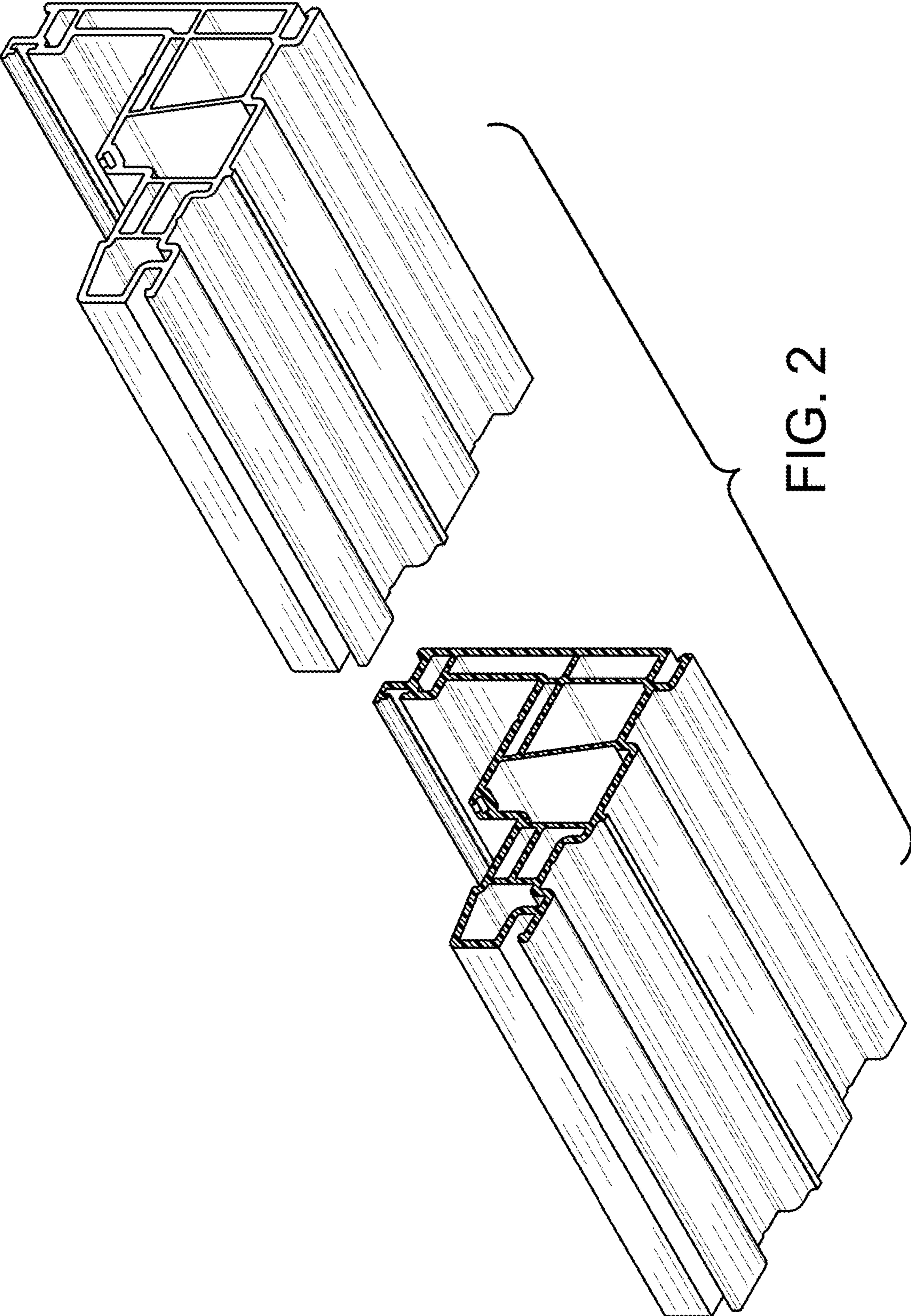


FIG. 2