

US00D797314S

(12) **United States Design Patent** (10) **Patent No.:** **US D797,314 S**
Presley et al. (45) **Date of Patent:** **** Sep. 12, 2017**

(54) **LADDER**

(71) Applicants: **Eric S. Presley**, Decatur, AL (US);
Monte W. Bennett, Decatur, AL (US)

(72) Inventors: **Eric S. Presley**, Decatur, AL (US);
Monte W. Bennett, Decatur, AL (US)

(73) Assignee: **EBSCO Industries, Inc.**, Birmingham,
AL (US)

(**) Term: **15 Years**

(21) Appl. No.: **29/573,519**

(22) Filed: **Aug. 6, 2016**

(51) **LOC (10) Cl.** **25-04**

(52) **U.S. Cl.**
USPC **D25/64**

(58) **Field of Classification Search**
USPC 182/102, 103, 106, 107, 112, 113, 115,
182/116, 120, 129, 130, 132, 151, 152,
182/156, 157, 161, 162, 180, 194, 2.11,
182/201, 207, 21, 215, 220, 23, 245, 26,
182/67.4, 202, 204; D25/62, 63, 64, 65,
D25/66, 67, 68, 69
CPC E06C 1/38; E06C 7/423; E06C 7/46
See application file for complete search history.

(56) **References Cited**

U.S. PATENT DOCUMENTS

D344,594 S * 2/1994 Whitney D25/64
5,335,754 A * 8/1994 Gibson E06C 7/44
182/204

D392,744 S * 3/1998 Staal D25/64
6,129,179 A * 10/2000 Rooney E06C 1/38
182/156
6,536,558 B2 * 3/2003 Price E06C 1/383
182/160
D677,799 S * 3/2013 Goransson D25/64
D692,163 S * 10/2013 Goransson D25/64
D714,464 S * 9/2014 Dunlap D25/64
2008/0236949 A1 * 10/2008 Lin E06C 1/08
182/209
2012/0267197 A1 * 10/2012 Kieffer E06C 1/125
182/194
2013/0161127 A1 * 6/2013 Allred, III E06C 1/02
182/108

* cited by examiner

Primary Examiner — Susan E Krakower

Assistant Examiner — Michael Maharajh

(74) *Attorney, Agent, or Firm* — Robert J. Veal; Veal
Intellectual Property, LLC

(57) **CLAIM**

The ornamental design for a ladder, as shown and described.

DESCRIPTION

FIG. 1 is a perspective view of the ladder;
FIG. 2 is an inverted perspective view of the ladder shown
in FIG. 1;
FIG. 3 is front view of the ladder;
FIG. 4 is a side view of the ladder, the opposite side view
being a mirror image;
FIG. 5 is a bottom view of the ladder; and,
FIG. 6 is a top view of the ladder.

1 Claim, 4 Drawing Sheets

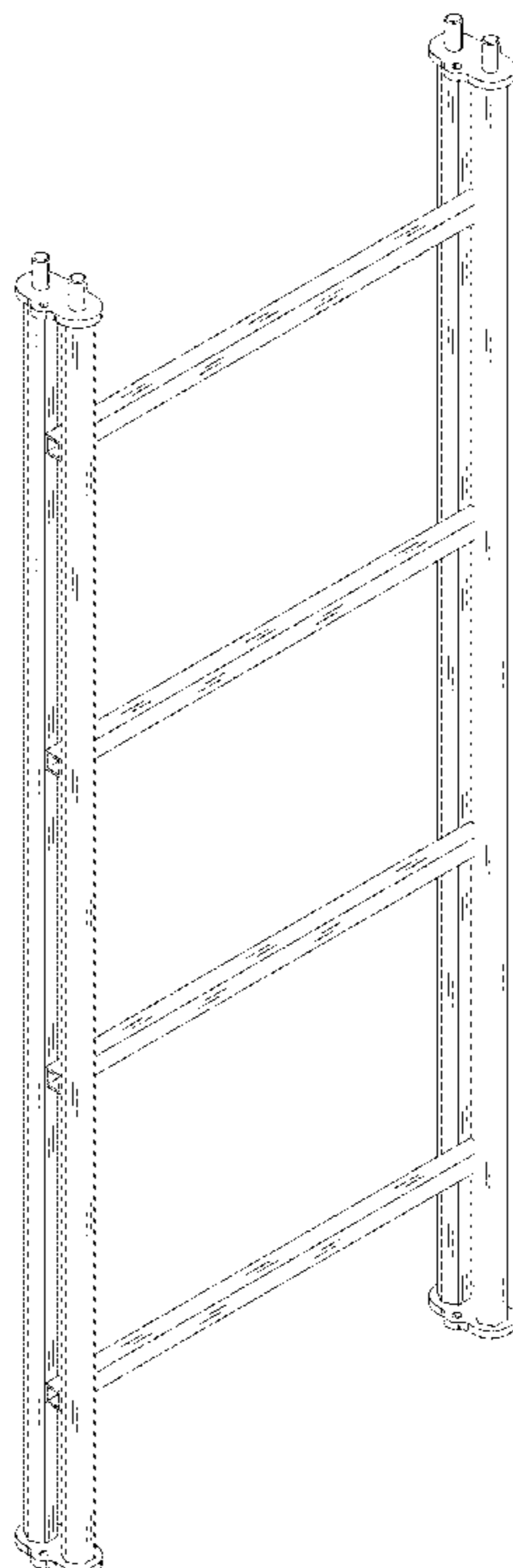


FIG. 1

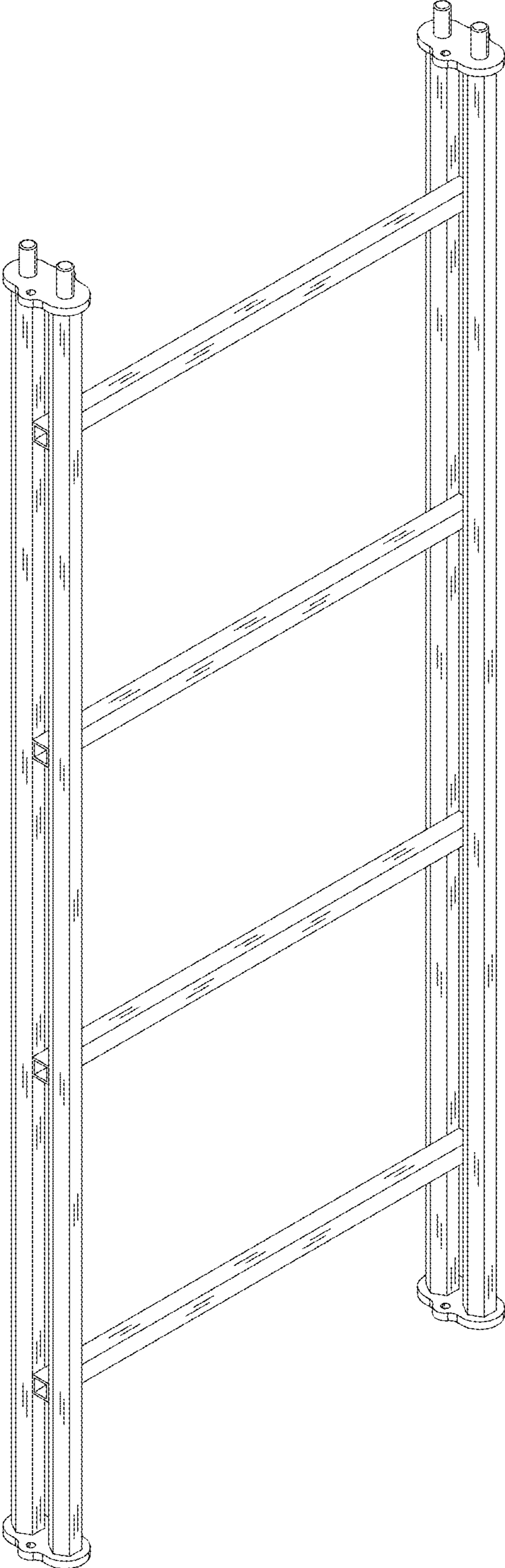
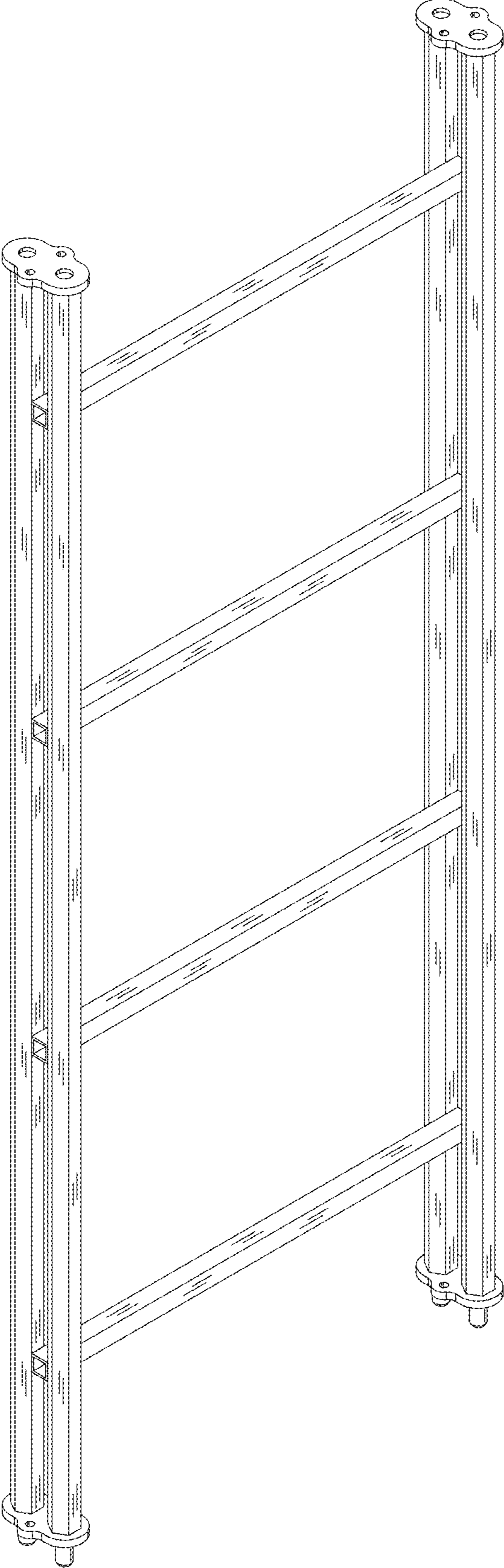


FIG. 2



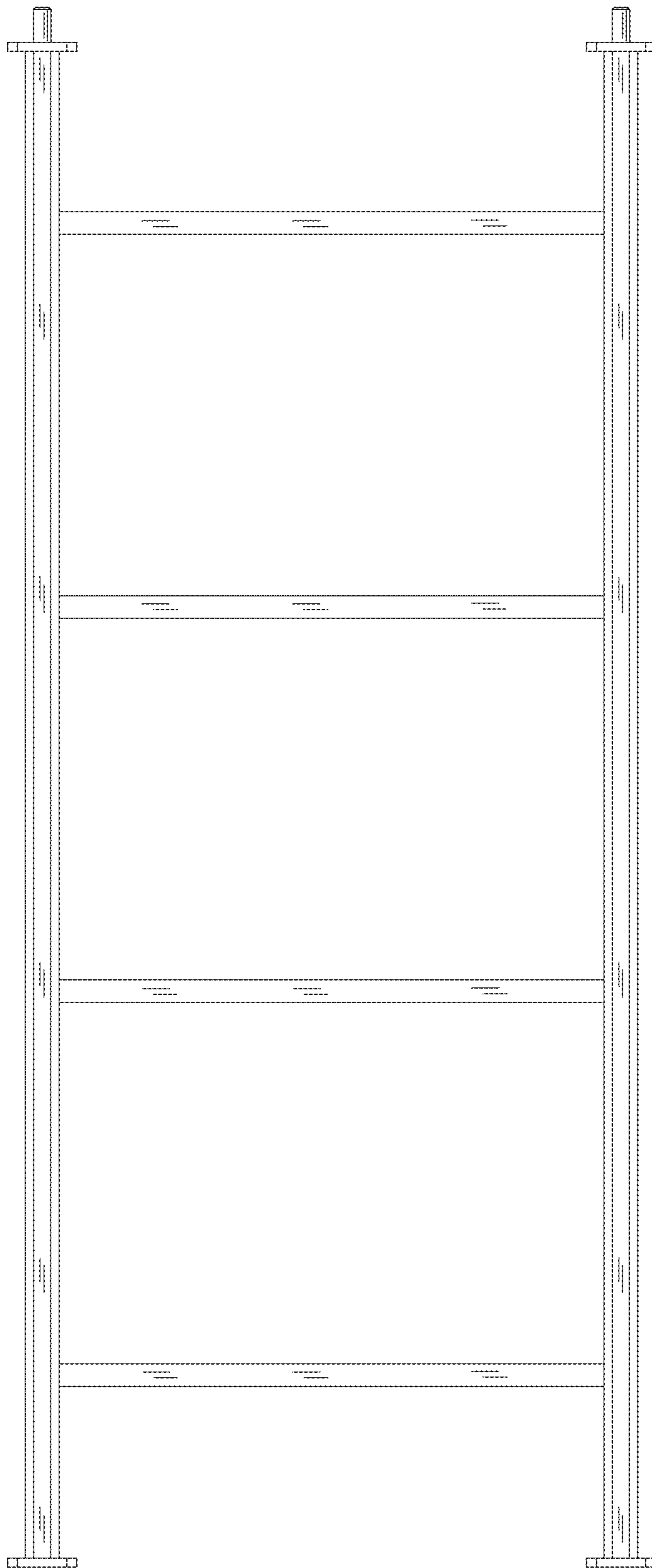


FIG. 3

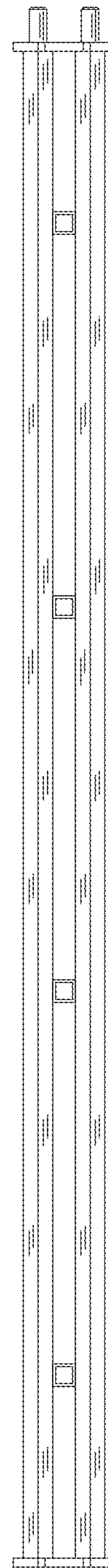


FIG. 4

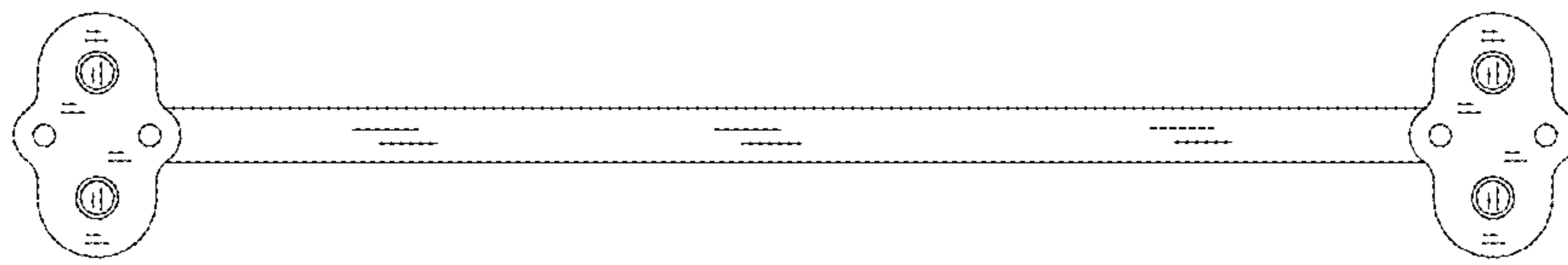


FIG. 5

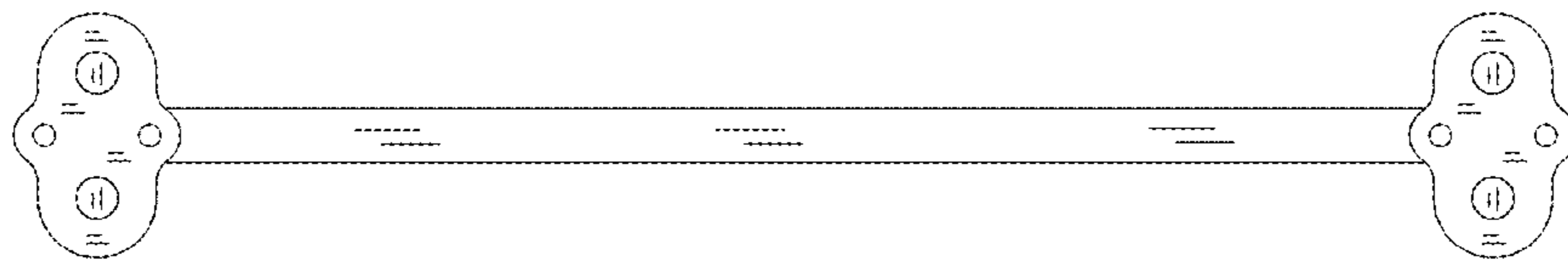


FIG. 6