



US00D797303S

(12) **United States Design Patent**  
**Wan et al.**

(10) **Patent No.:** **US D797,303 S**

(45) **Date of Patent:** **\*\* Sep. 12, 2017**

- (54) **BODY FLUID TESTING CUP** 5,976,895 A \* 11/1999 Cipkowski ..... A61B 10/007  
422/412
- (71) Applicant: **W.H.P.M. BIORESEARCH AND TECHNOLOGY CO., LTD.**, Beijing (CN) 6,403,383 B1 \* 6/2002 Casterlin ..... A61B 10/007  
422/412
- (72) Inventors: **John Wan**, San Marino, CA (US); **Qinghai Xia**, Beijing (CN); **Panpan Hou**, Beijing (CN) 6,616,893 B1 \* 9/2003 Pham ..... G01N 33/528  
422/417
- (73) Assignee: **W.H.P.M. BIORESEARCH AND TECHNOLOGY CO., LTD.**, Beijing (CN) D494,279 S \* 8/2004 Cogan ..... D24/121  
7,550,112 B2 \* 6/2009 Gou ..... A61B 10/007  
422/562
- (\*\*) Term: **15 Years** D610,700 S \* 2/2010 Khoury ..... D24/121  
D641,866 S \* 7/2011 Burgess ..... D24/121  
D731,672 S \* 6/2015 Kuroda ..... D24/224  
D767,158 S \* 9/2016 Wang ..... D24/223  
2005/0112024 A1 \* 5/2005 Guo ..... A61B 10/007  
422/562  
2012/0295362 A1 \* 11/2012 Bland ..... G01N 33/946  
436/92

\* cited by examiner

(21) Appl. No.: **29/533,948**

(22) Filed: **Jul. 23, 2015**

(30) **Foreign Application Priority Data**

Jan. 26, 2015 (CN) ..... 2015 3 0022260

(51) **LOC (10) Cl.** ..... **24-02**

(52) **U.S. Cl.**  
USPC ..... **D24/224**

(58) **Field of Classification Search**  
USPC ..... D24/107, 216, 121, 122, 123, 224, 227;  
422/50, 417, 68.1, 568; 436/807, 810  
CPC .... G01N 21/00; G01N 33/558; G01N 33/946;  
A61B 10/0096; A61B 10/007  
See application file for complete search history.

(56) **References Cited**

**U.S. PATENT DOCUMENTS**

- 5,119,830 A \* 6/1992 Davis ..... B01L 3/502  
422/568
- D359,883 S \* 7/1995 Suarez ..... D24/121
- 5,595,187 A \* 1/1997 Davis ..... A61B 10/007  
600/573

*Primary Examiner* — Susan Bennett Hattan  
*Assistant Examiner* — Rebecca Tsehaye  
(74) *Attorney, Agent, or Firm* — Scully Scott Murphy & Presser

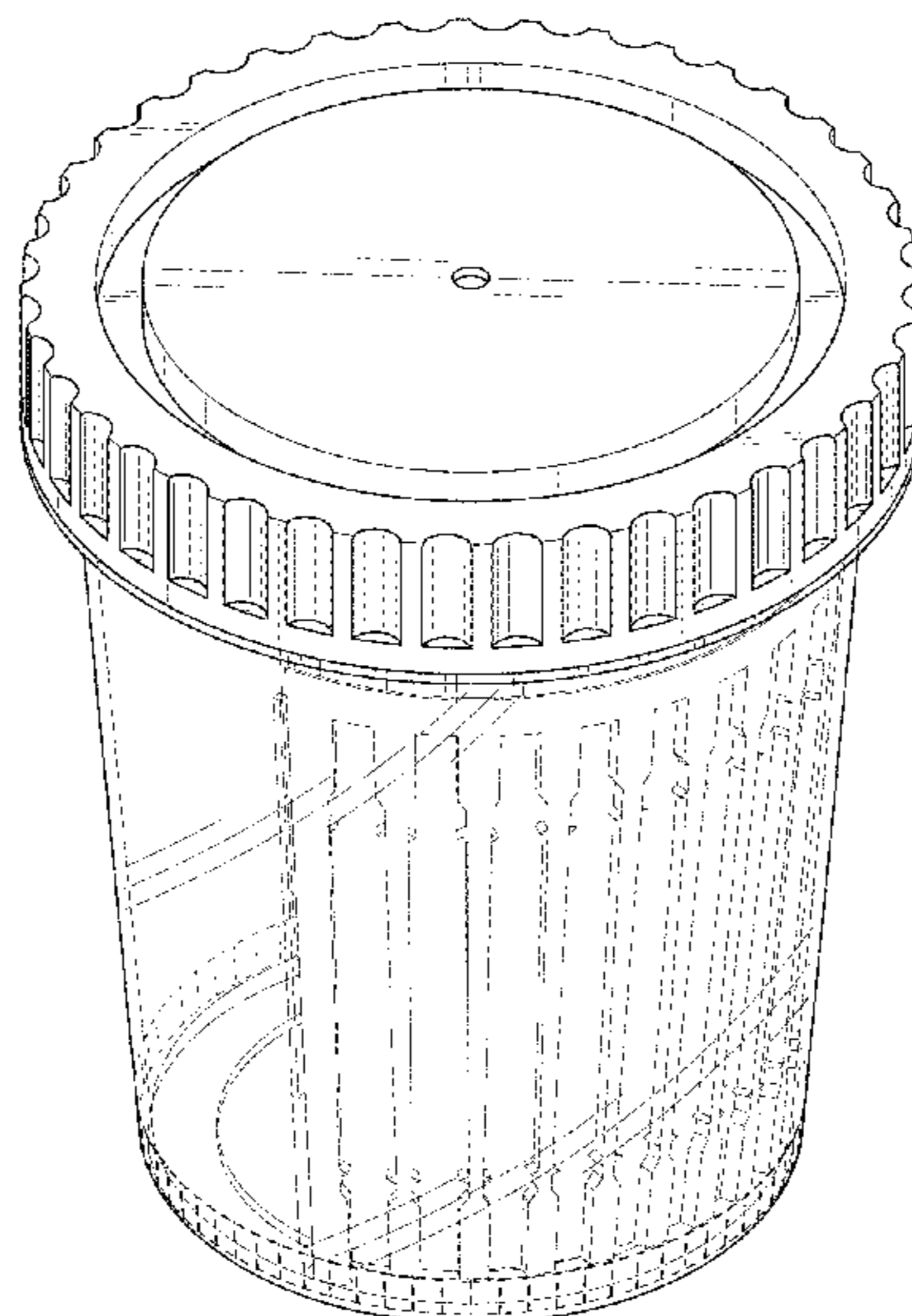
(57) **CLAIM**

The ornamental design for a body fluid testing cup, as shown and described.

**DESCRIPTION**

FIG. 1 is a perspective view of a body fluid testing cup, showing our new design;  
FIG. 2 is a front elevation view thereof;  
FIG. 3 is a rear elevation view thereof;  
FIG. 4 is a side elevation view thereof;  
FIG. 5 is an opposite side elevation view thereof;  
FIG. 6 is a top plan view thereof; and,  
FIG. 7 is a bottom plan view thereof.  
The broken lines illustrate portions of the body fluid testing cup that form no part of the claimed design.

**1 Claim, 7 Drawing Sheets**



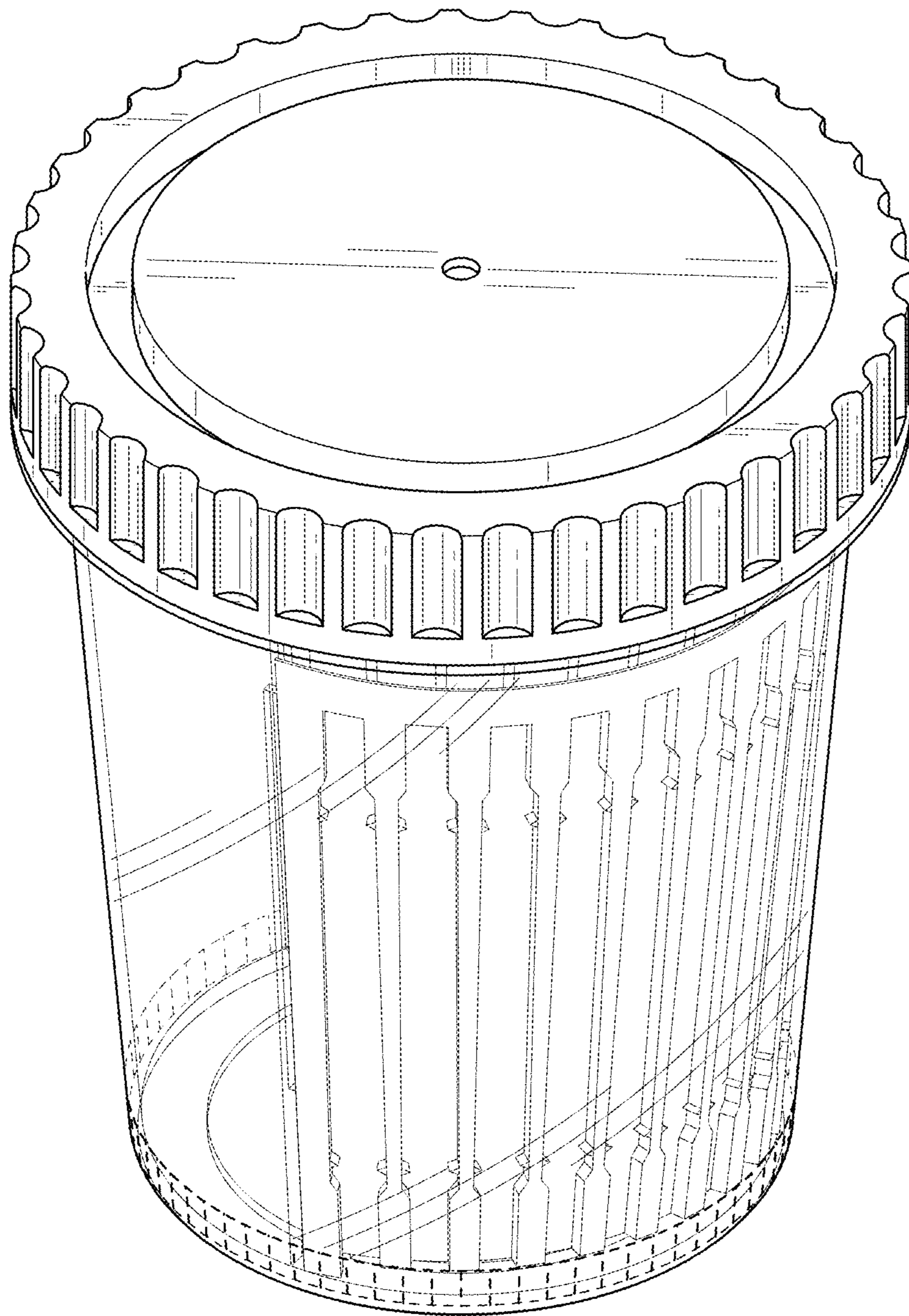


FIG. 1

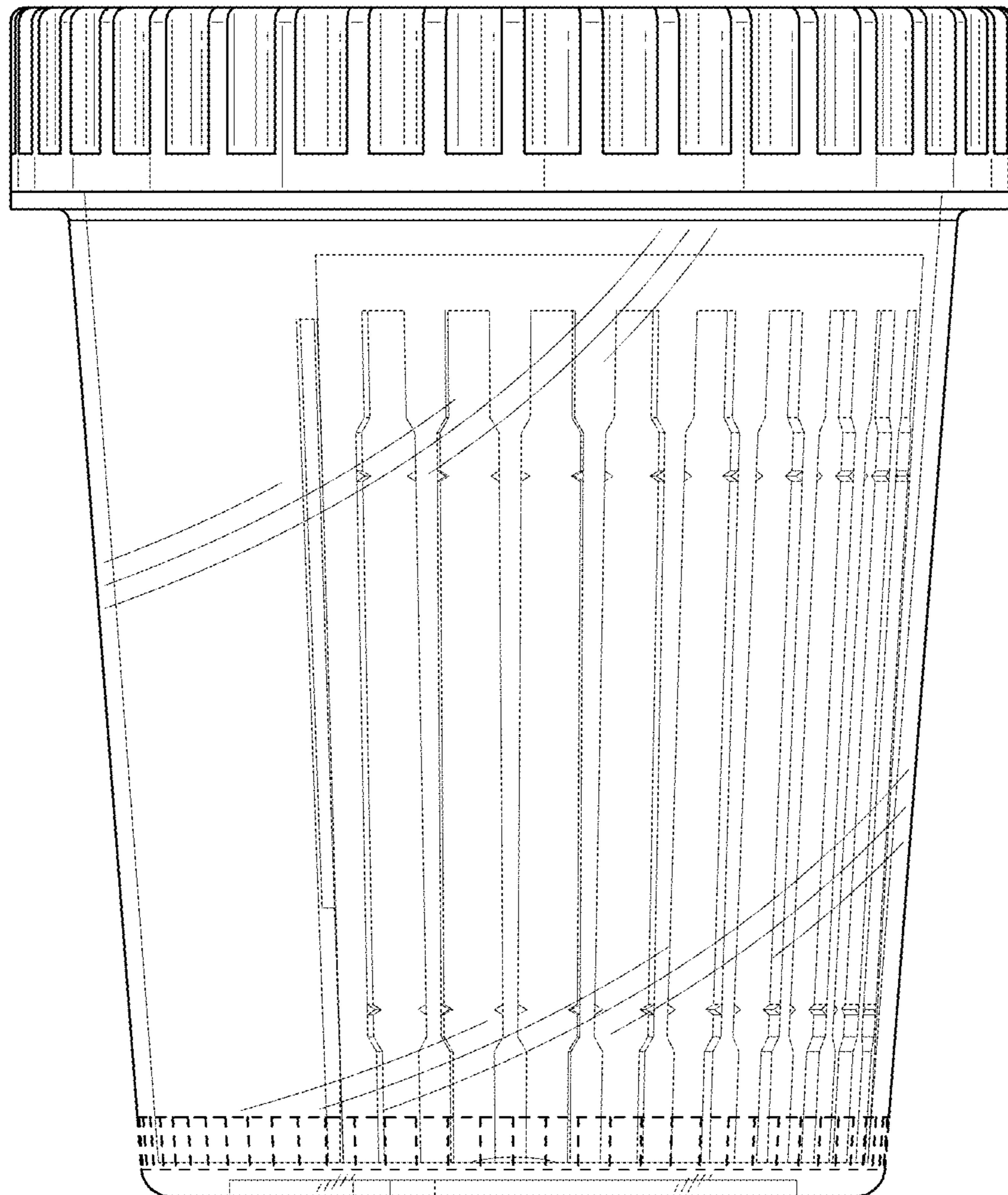


FIG. 2



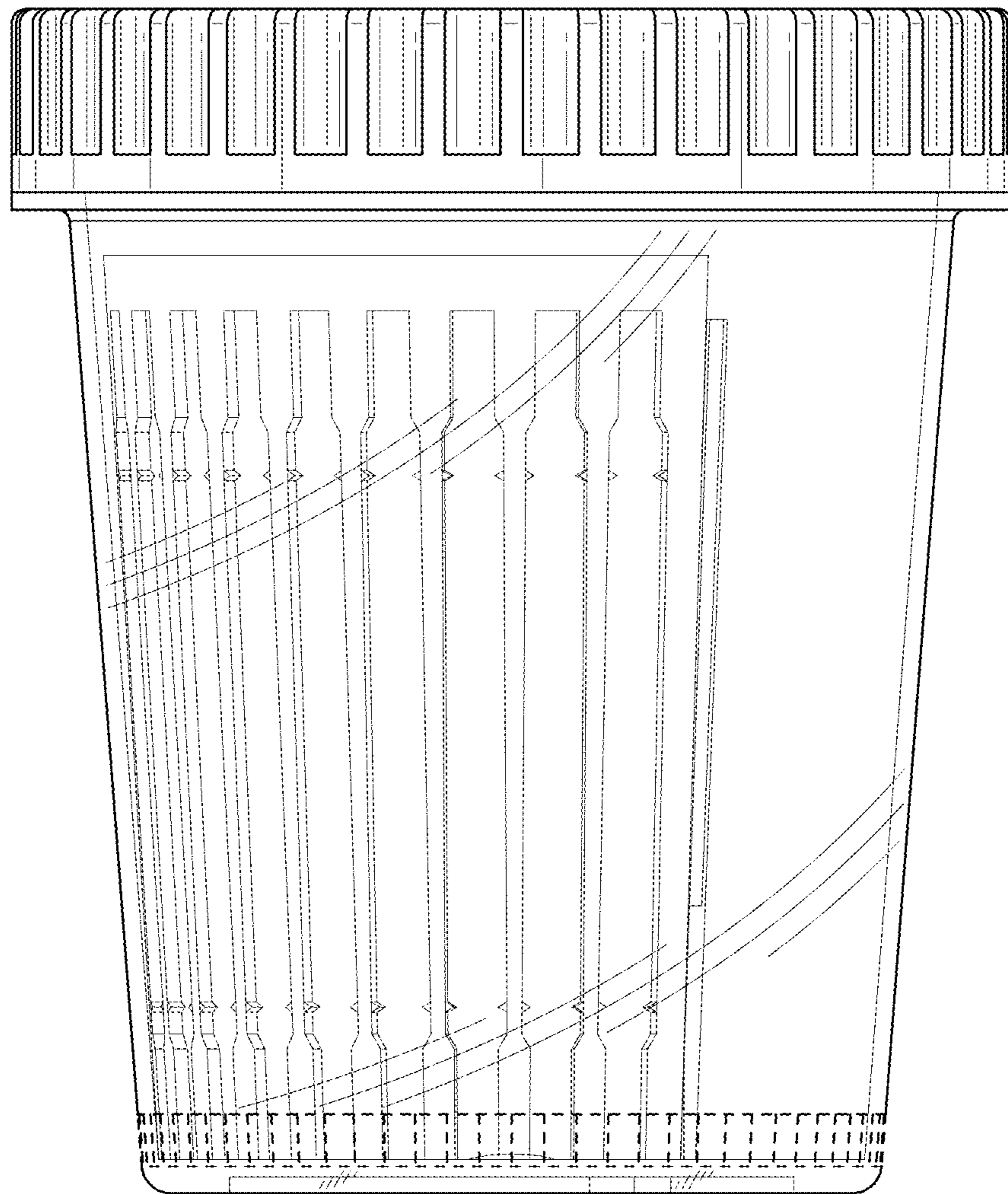


FIG. 3

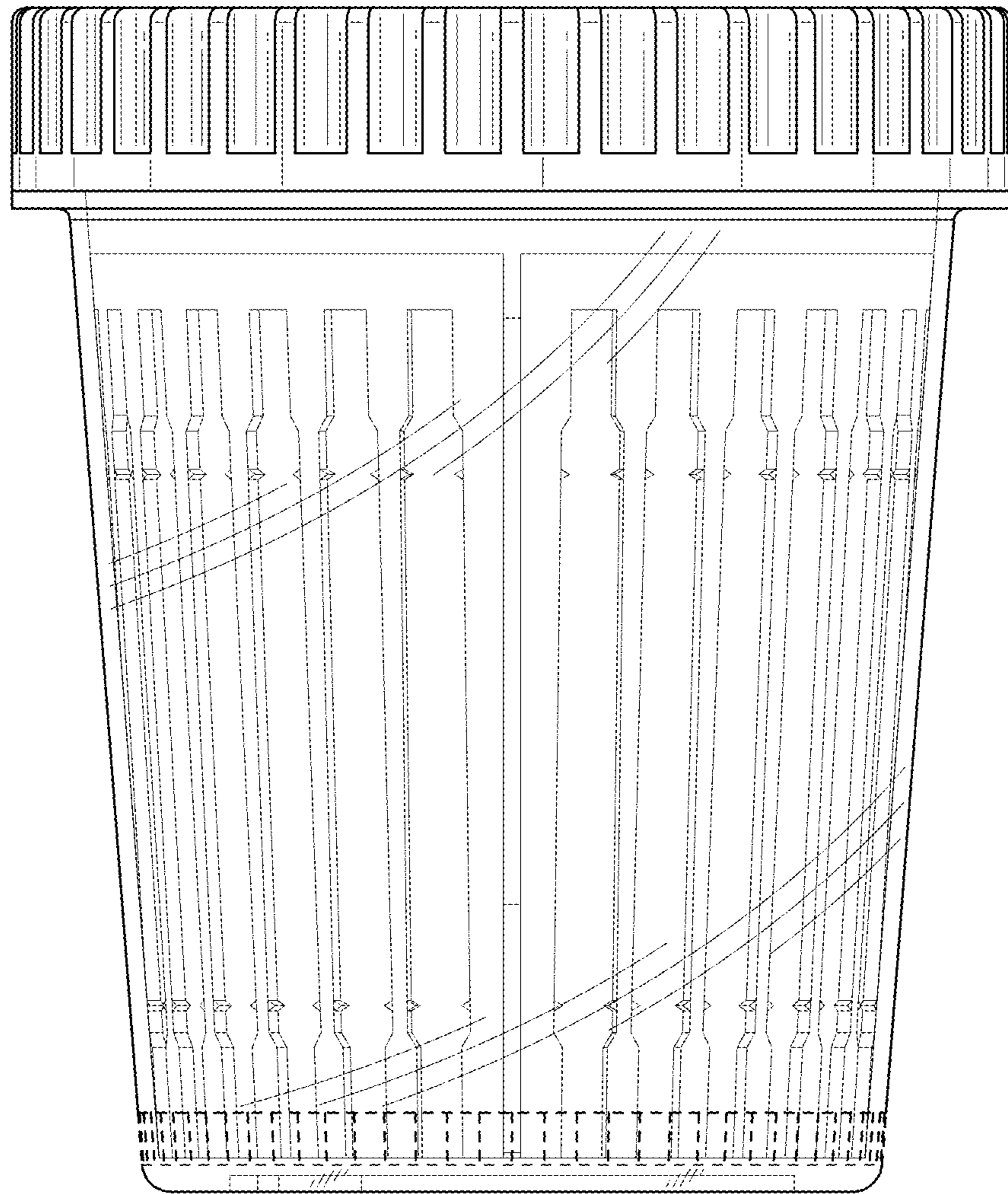


FIG. 4

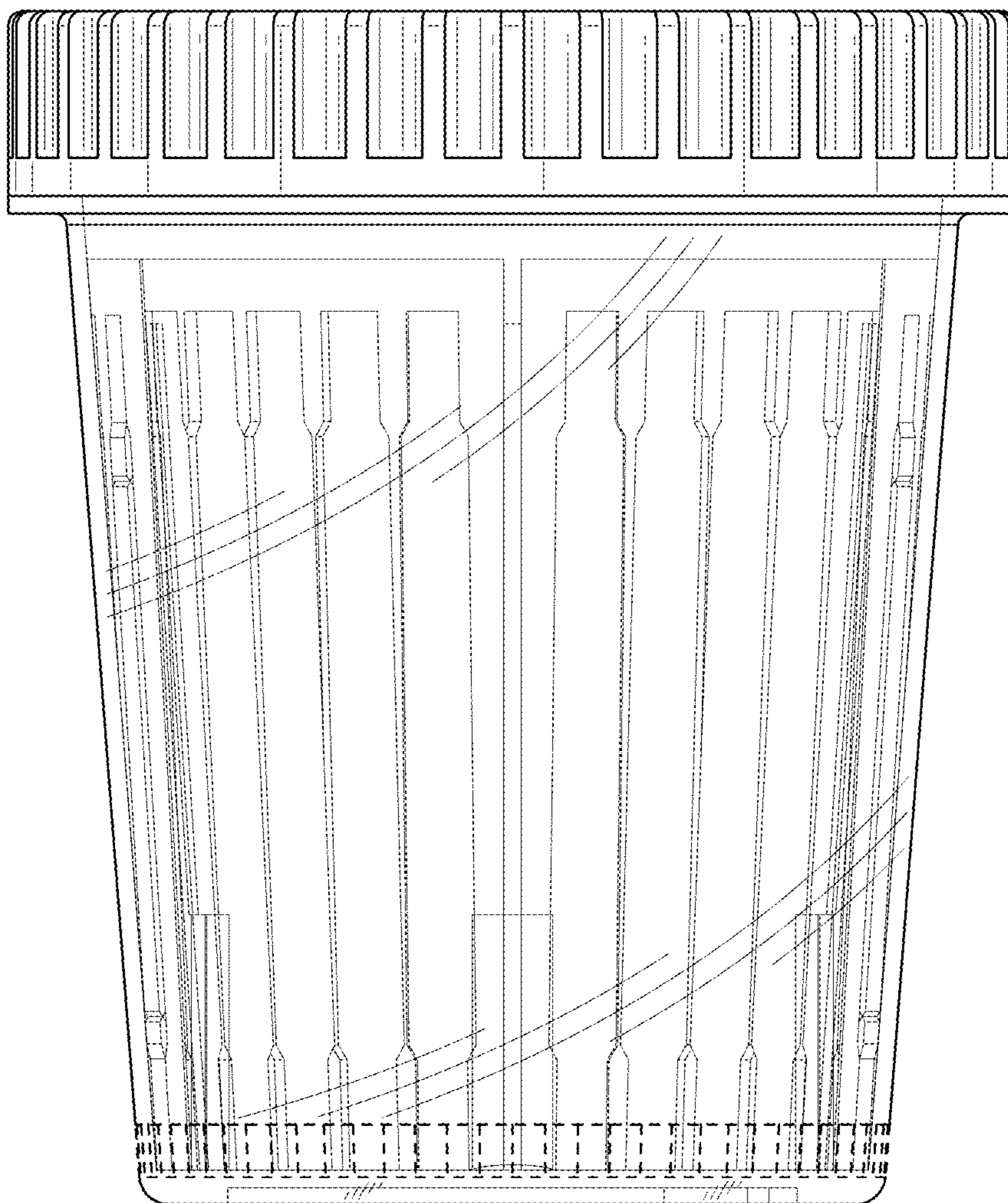


FIG. 5

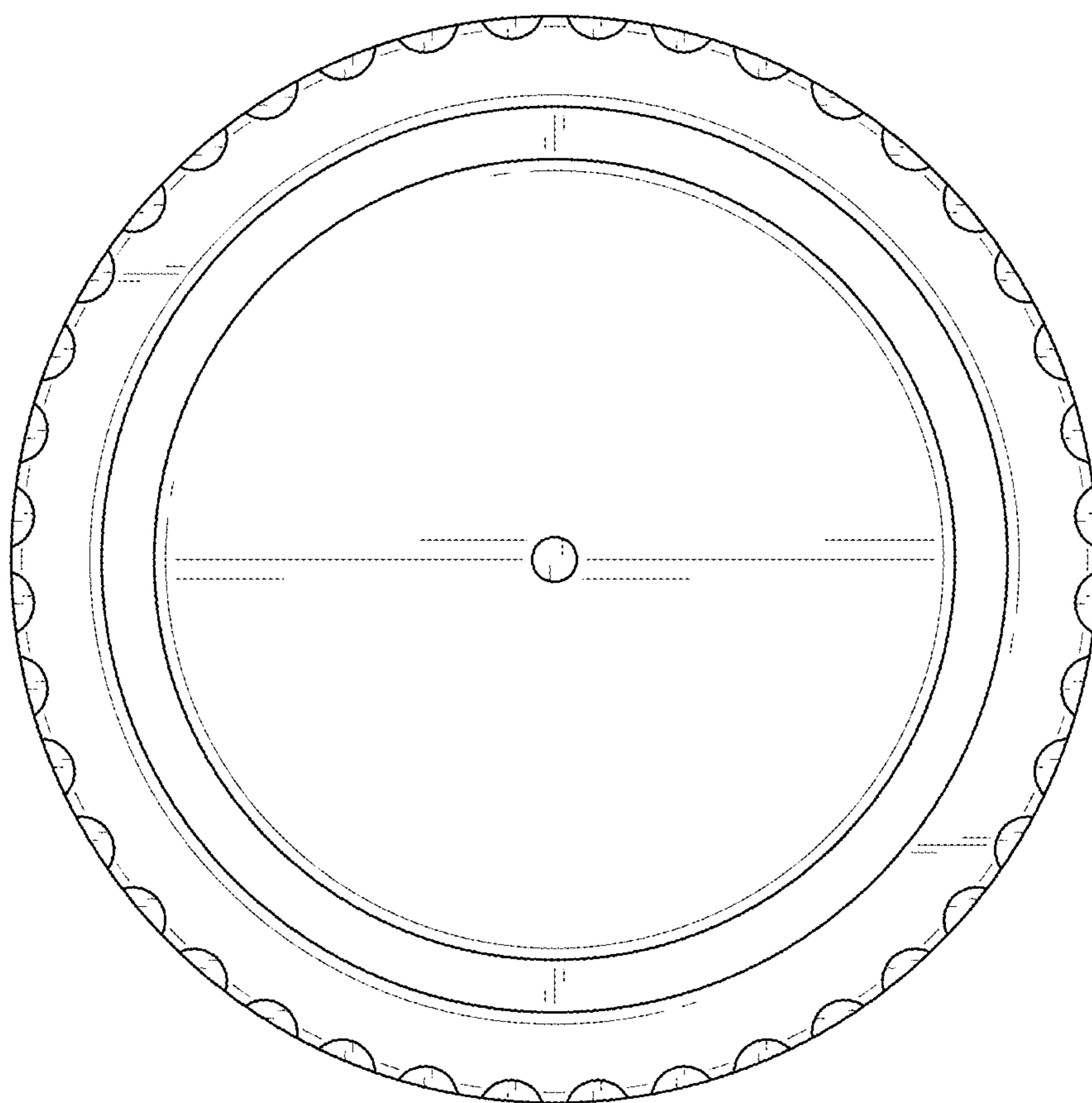


FIG. 6



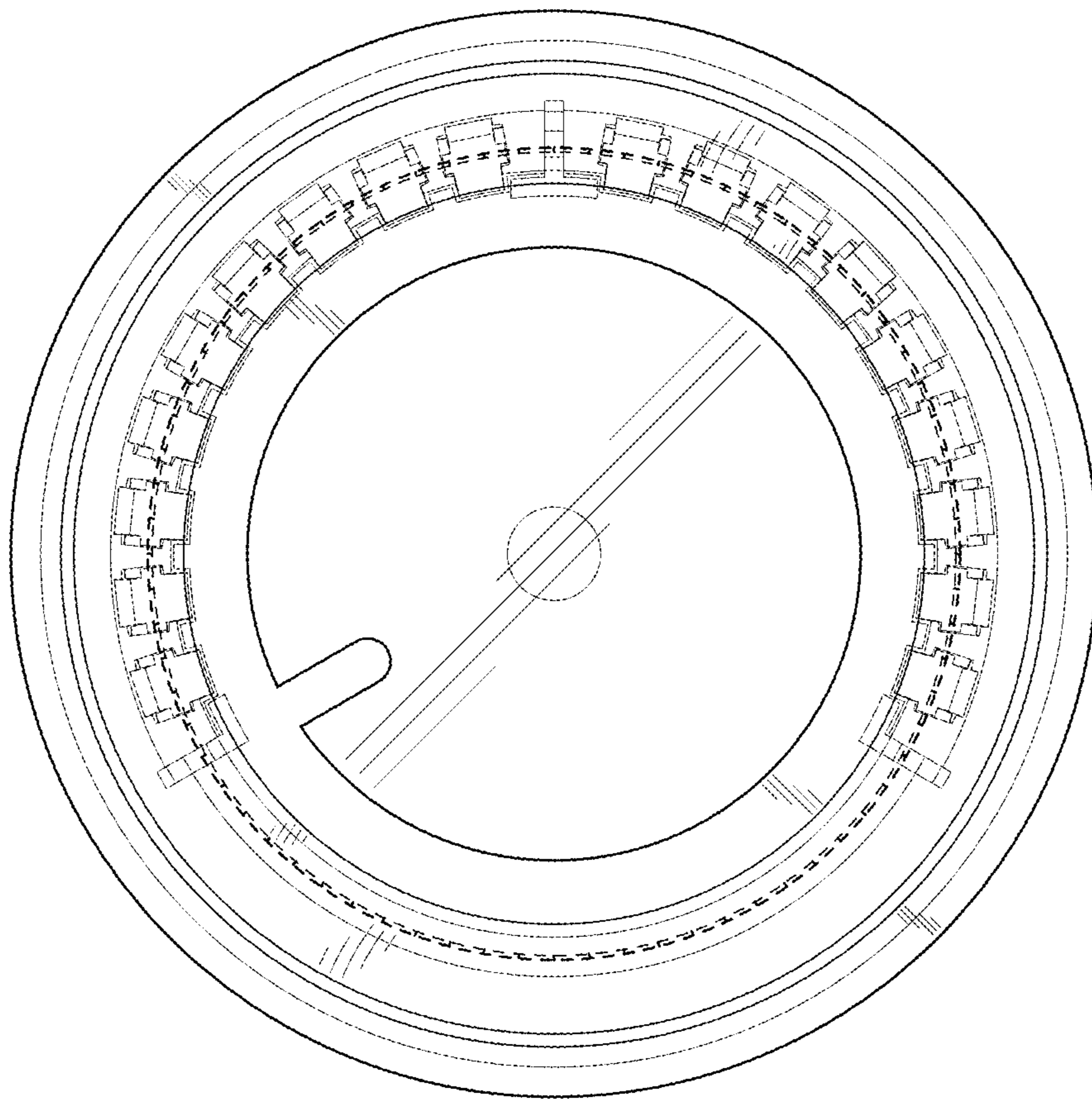


FIG. 7