



US00D797302S

(12) **United States Design Patent** (10) **Patent No.:** **US D797,302 S**
Vahlensieck et al. (45) **Date of Patent:** **** Sep. 12, 2017**

(54) **DERMATOLOGICAL TREATMENT DEVICE**

(71) Applicant: **TRIA Beauty, Inc.**, Dublin, CA (US)

(72) Inventors: **Jay Vahlensieck**, Livermore, CA (US);
Juan-Lorenzo Guillermo Rubi, Walnut Creek, CA (US)

(73) Assignee: **CHANNEL INVESTMENTS, LLC**, Tampa, FL (US)

(**) Term: **15 Years**

(21) Appl. No.: **29/565,042**

(22) Filed: **May 17, 2016**

(51) **LOC (10) Cl.** **24-02**

(52) **U.S. Cl.**
USPC **D24/209**

(58) **Field of Classification Search**
USPC D24/209, 107, 133, 135, 137, 158, 200,
D24/210, 231, 232; D28/9, 99, 58;
600/473, 476; 604/20, 21; 606/2, 9, 13,
606/14, 17, 33; 607/88-94
CPC A61Q 19/00; A61Q 19/007; A61Q 19/008;
A61B 2018/00452; A61B 2017/00747;
A61B 2017/00761; A61B 2018/202;
A61B 2018/2085; A61N 5/0616; A61N
2005/0644; A61N 2005/0659; A61N
1/0502; A61N 2005/0661; A61N 5/04;
A61N 1/28; A61N 2005/0654; A61N
2005/0662; A61N 2007/0034

See application file for complete search history.

(56) **References Cited**

U.S. PATENT DOCUMENTS

D672,507 S *	12/2012	Szymanski	D24/133
D734,479 S *	7/2015	Youngquist	D24/158
D747,800 S *	1/2016	Dunleavy	D24/133
2013/0030506 A1 *	1/2013	Bartolone	A61N 5/0616 607/89

* cited by examiner

Primary Examiner — Wan Laymon

Assistant Examiner — Mark Booker

(74) *Attorney, Agent, or Firm* — Slayden Grubert Beard PLLC

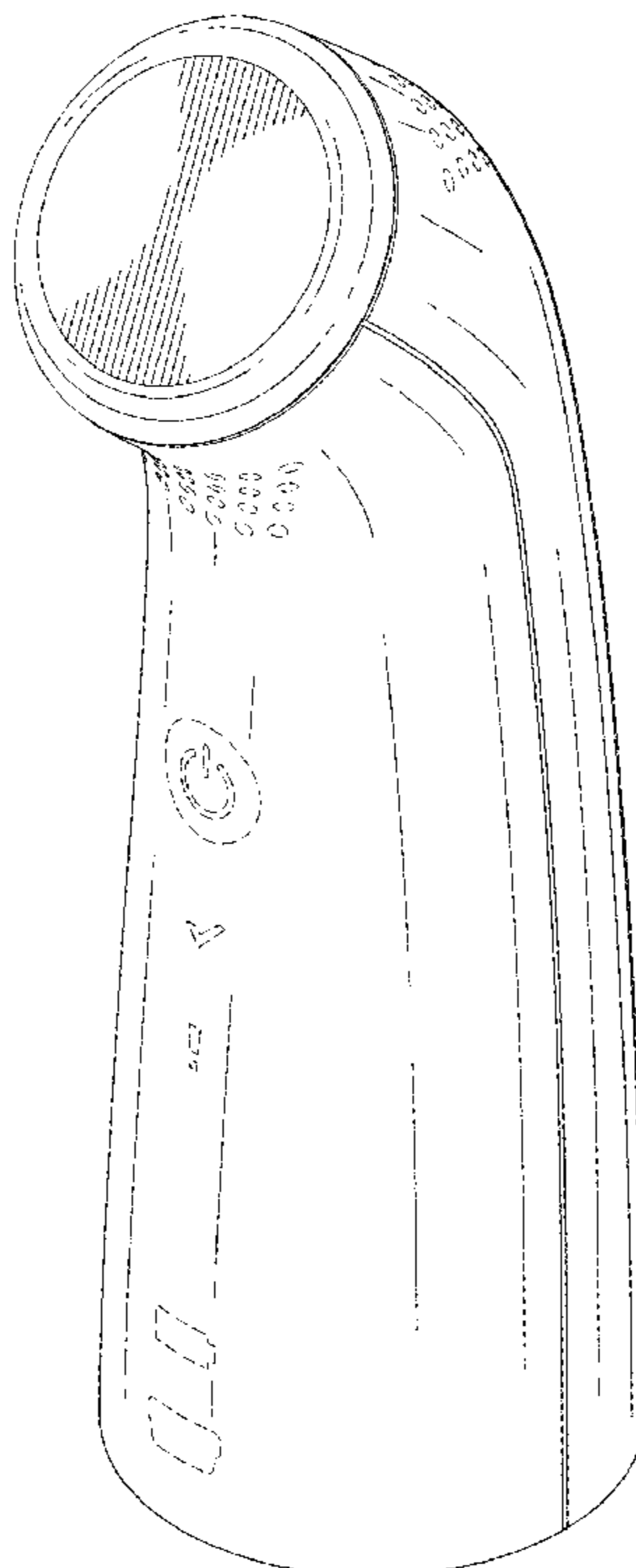
(57) **CLAIM**

The ornamental design for a dermatological treatment device, as shown and described.

DESCRIPTION

FIG. 1 is a top, front perspective view of a dermatological treatment device;
 FIG. 2 is a front elevational view thereof;
 FIG. 3 is a rear elevation view thereof;
 FIG. 4 is a right side elevation view thereof;
 FIG. 5 is a left side elevation view thereof;
 FIG. 6 is a top plan view thereof;
 FIG. 7 is a bottom plan view thereof; and,
 FIG. 8 is a bottom, rear perspective view thereof.
 The broken line showing in the figures is included for the purpose of illustrating portions of the dermatological treatment device and form no part of the claimed design.

1 Claim, 5 Drawing Sheets



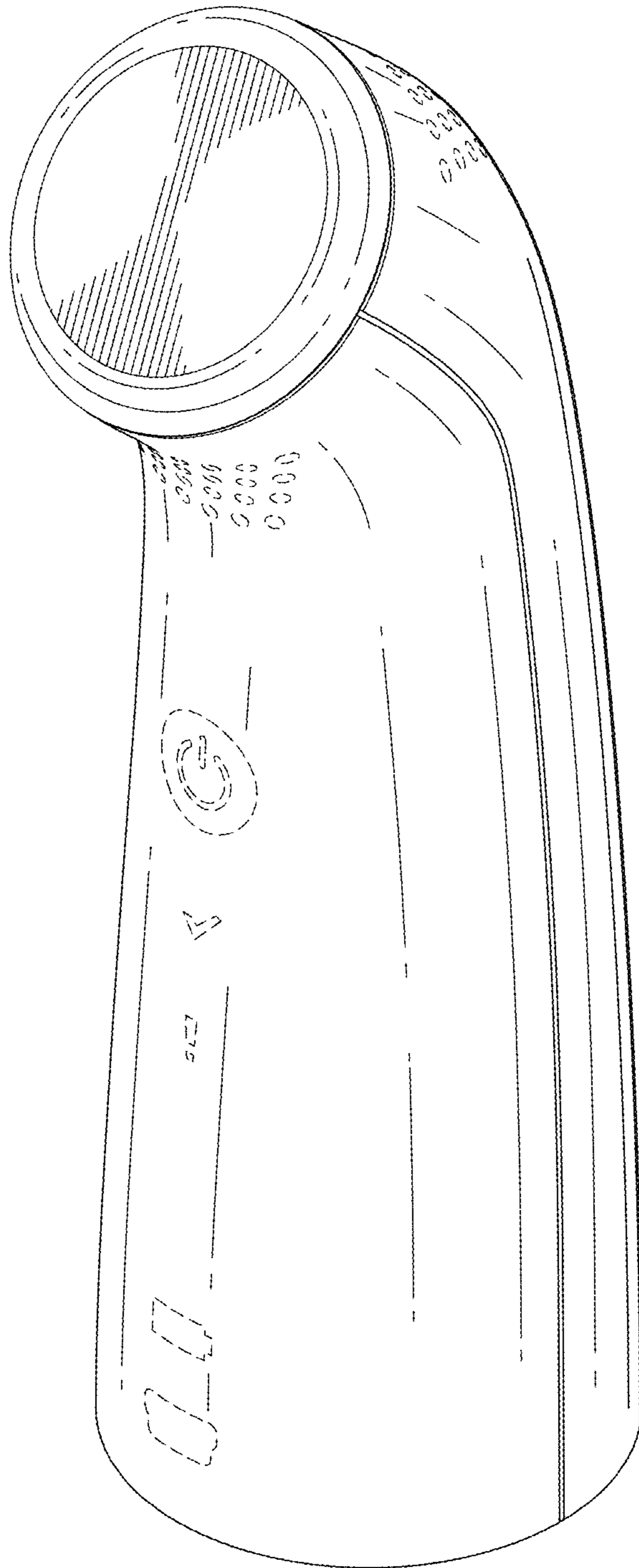


FIG. 1

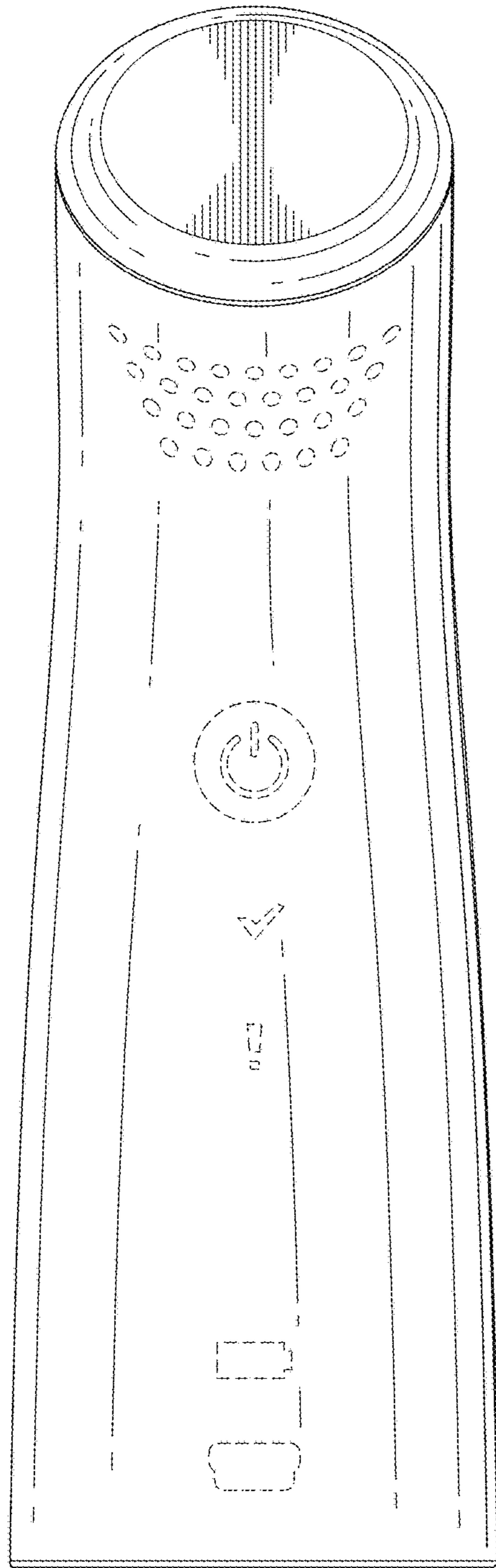


FIG. 2

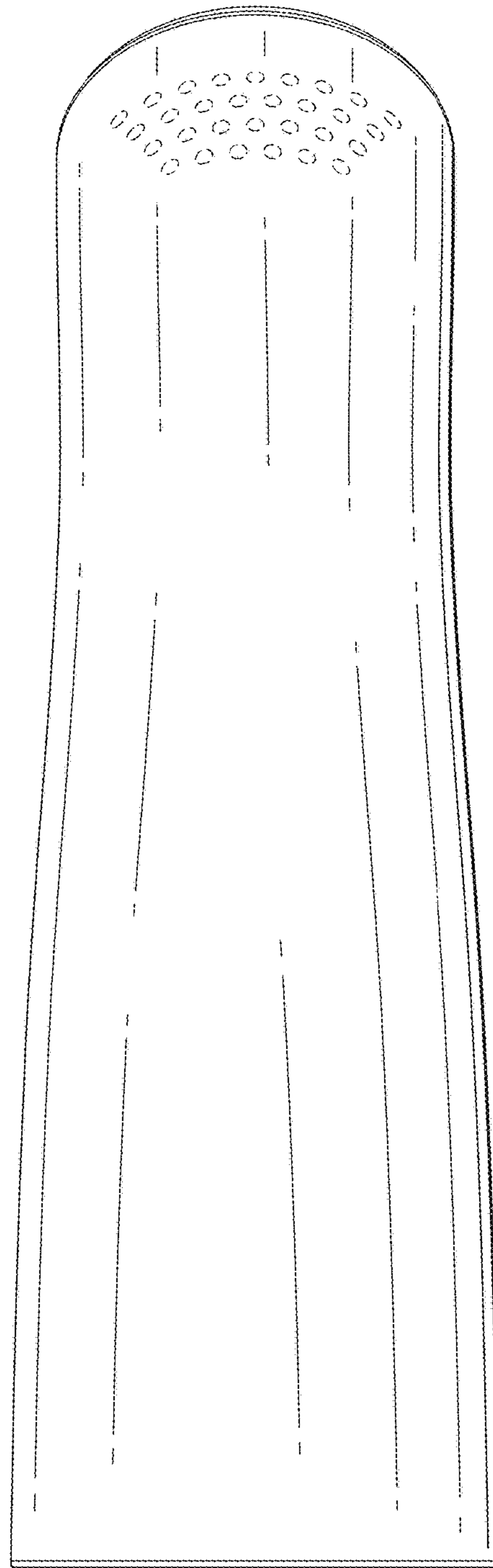


FIG. 3

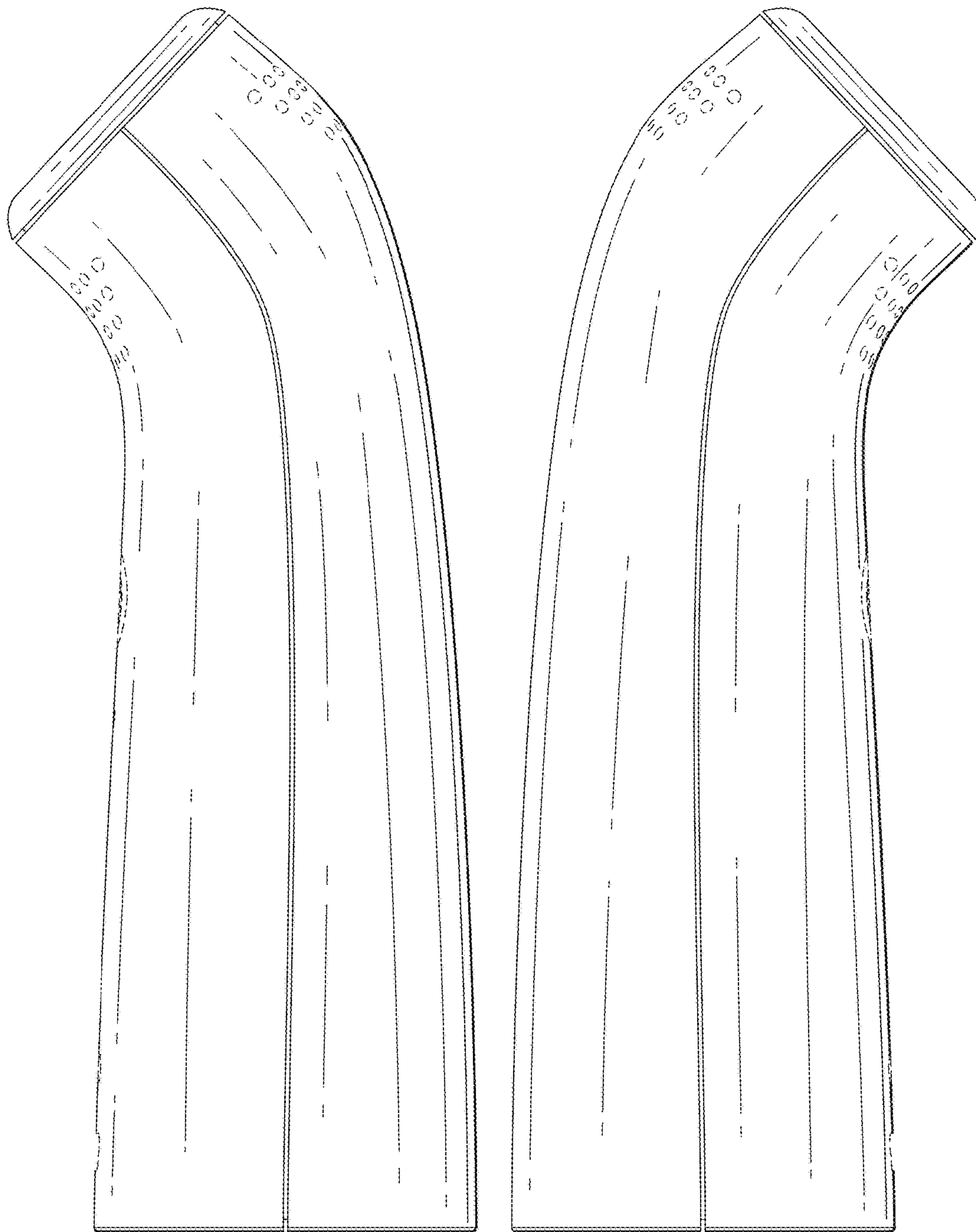


FIG. 4

FIG. 5

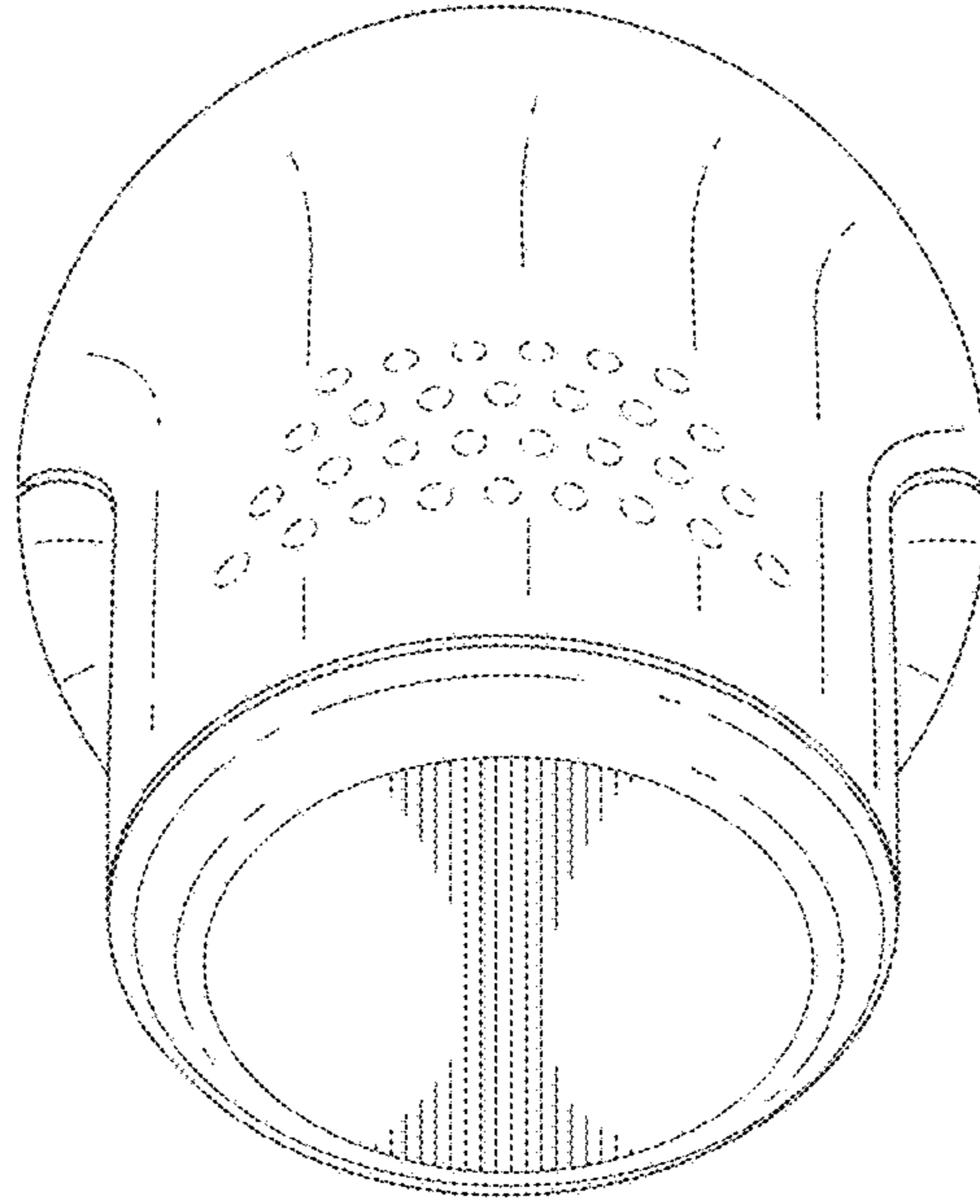


FIG. 6

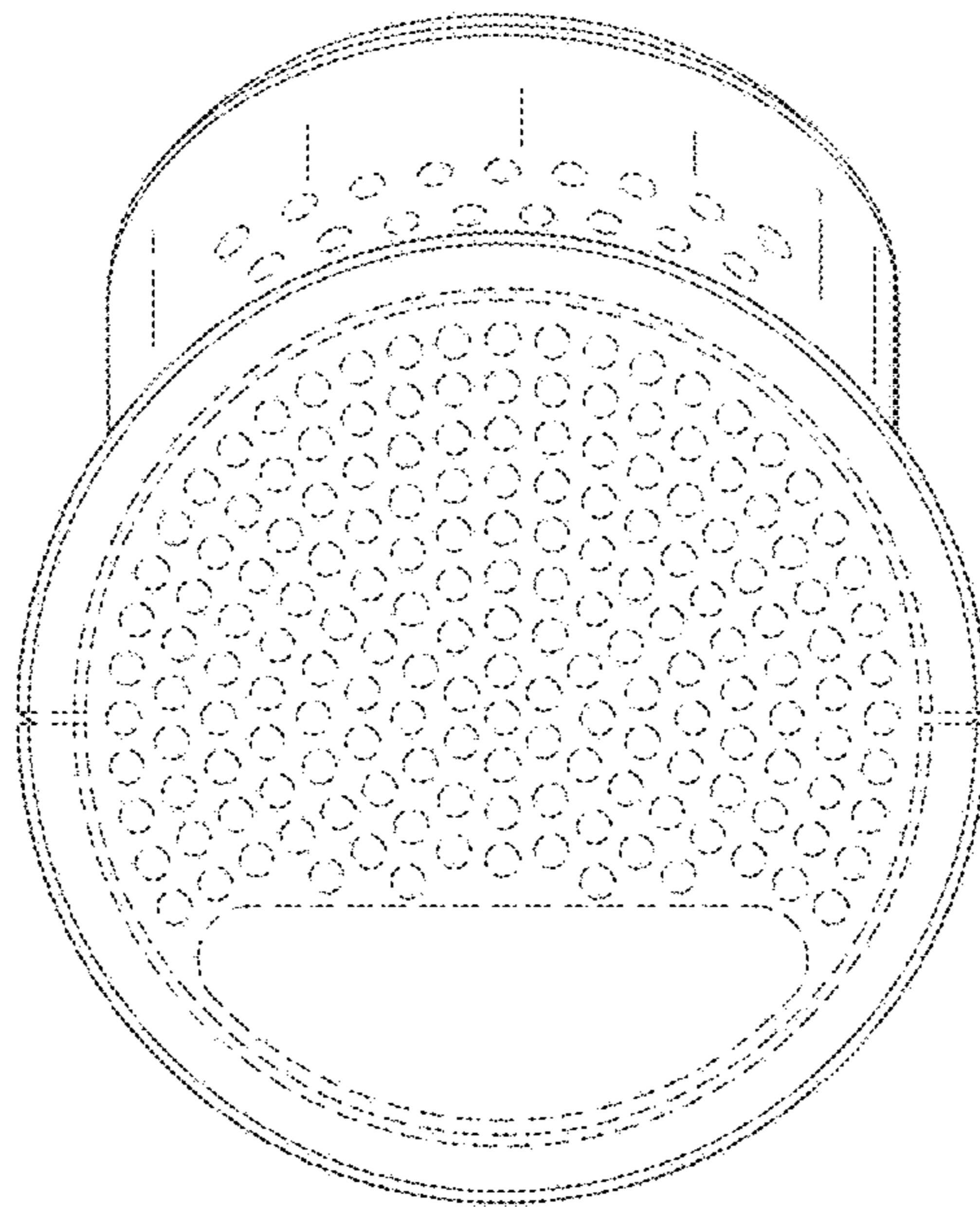


FIG. 7

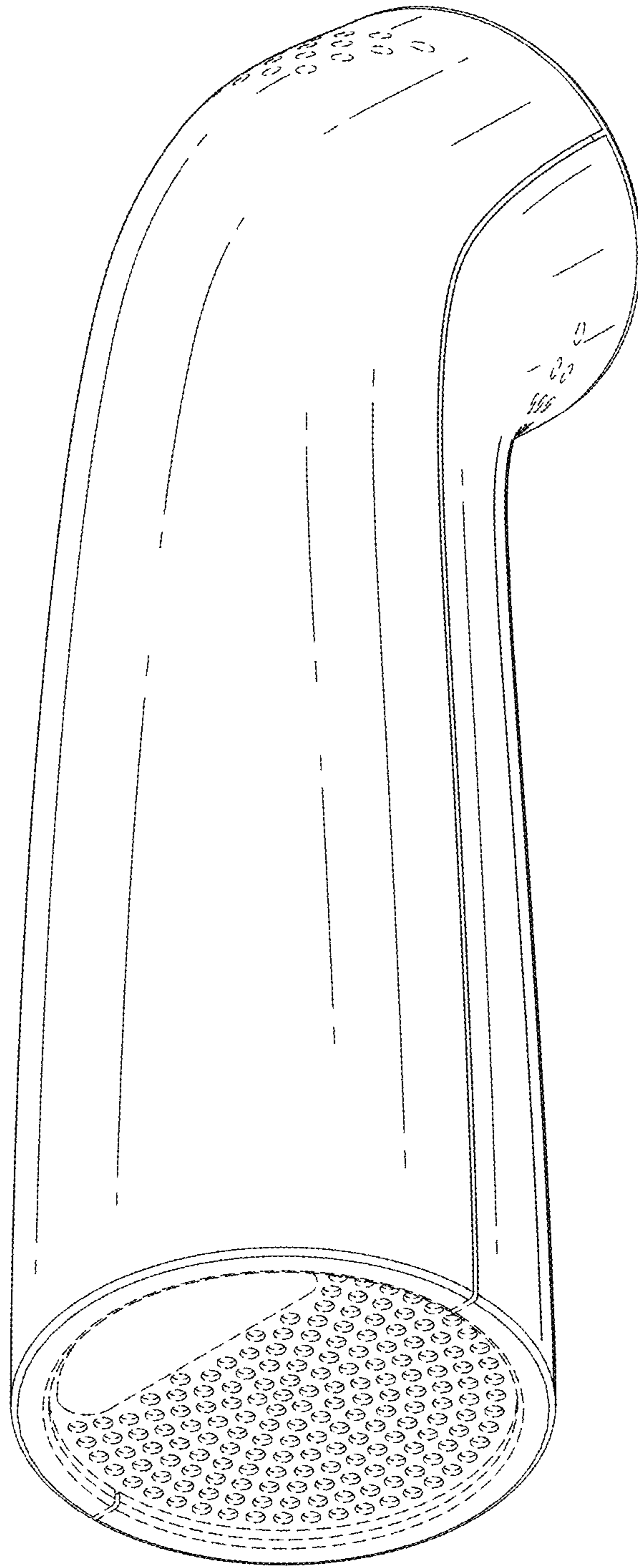


FIG. 8