



US00D797297S

(12) **United States Design Patent** (10) **Patent No.:** **US D797,297 S**  
**Martin et al.** (45) **Date of Patent:** **\*\* Sep. 12, 2017**

(54) **ELECTRODE**

(71) Applicant: **Halo Neuro, Inc.**, San Francisco, CA (US)  
(72) Inventors: **Matty Martin**, San Francisco, CA (US); **Tal Bar-Or**, San Francisco, CA (US); **Colin Davis**, San Francisco, CA (US); **Victoria Hammett**, San Francisco, CA (US); **Daniel Chao**, San Francisco, CA (US); **Brett Wingeier**, San Francisco, CA (US); **David Kaufman**, San Francisco, CA (US)

(73) Assignee: **Halo Neuro, Inc.**, San Francisco, CA (US)

(\*\*) Term: **15 Years**

(21) Appl. No.: **29/553,732**

(22) Filed: **Feb. 4, 2016**

(51) **LOC (10) Cl.** ..... **24-01**

(52) **U.S. Cl.**  
USPC ..... **D24/187**

(58) **Field of Classification Search**  
USPC ..... D24/186, 187, 200, 211, 212, 215, 168; 607/5, 69, 109, 110, 115, 116, 118, 139, 607/104, 122, 129, 137, 142, 152; 600/372-374, 376, 382-384, 386, 388, 600/391-393, 544, 587, 558, 484, 301, 600/473; 705/14.41; D30/158-159; D19/59; 606/32, 41, 100, 204  
CPC ... A61B 5/0478; A61B 5/0476; A61B 5/4821; A61B 5/04085; A61B 5/0484; A61B 5/0073; A61B 5/6814; A61B 5/6885; A61B 5/04842; A61B 5/048; A61B 5/04012; A61B 5/6803; A61B 5/11; A61B 5/02055; A61B 18/1477; A61B 5/0488; A61B 5/0492; A61F 7/02; A61F 11/12; A61N 1/0456; A61N 1/32; A61N 1/0504; A47K 7/026

See application file for complete search history.

(56) **References Cited**

U.S. PATENT DOCUMENTS

|           |      |         |                  |              |
|-----------|------|---------|------------------|--------------|
| 4,967,038 | A *  | 10/1990 | Gevins .....     | A61B 5/0478  |
|           |      |         |                  | 600/383      |
| D315,038  | S *  | 2/1991  | Strickler .....  | D24/211      |
| D333,730  | S *  | 3/1993  | Martin .....     | D30/158      |
| D379,518  | S *  | 5/1997  | Bergman .....    | D24/211      |
| D413,985  | S *  | 9/1999  | Martin .....     | D24/211      |
| D428,996  | S *  | 8/2000  | Gonzales .....   | D24/212      |
| D430,936  | S *  | 9/2000  | Noble .....      | D24/211      |
| D456,908  | S *  | 5/2002  | Cunningham ..... | D24/200      |
| 6,690,959 | B2 * | 2/2004  | Thompson .....   | A61B 5/04085 |
|           |      |         |                  | 600/372      |
| D504,954  | S *  | 5/2005  | Park .....       | D24/215      |
| 6,918,907 | B2 * | 7/2005  | Kelly .....      | A61B 18/1477 |
|           |      |         |                  | 606/100      |

(Continued)

*Primary Examiner* — Ian Simmons

*Assistant Examiner* — Mark Cavanna

(74) *Attorney, Agent, or Firm* — Jeffrey Schox; Ivan Wong

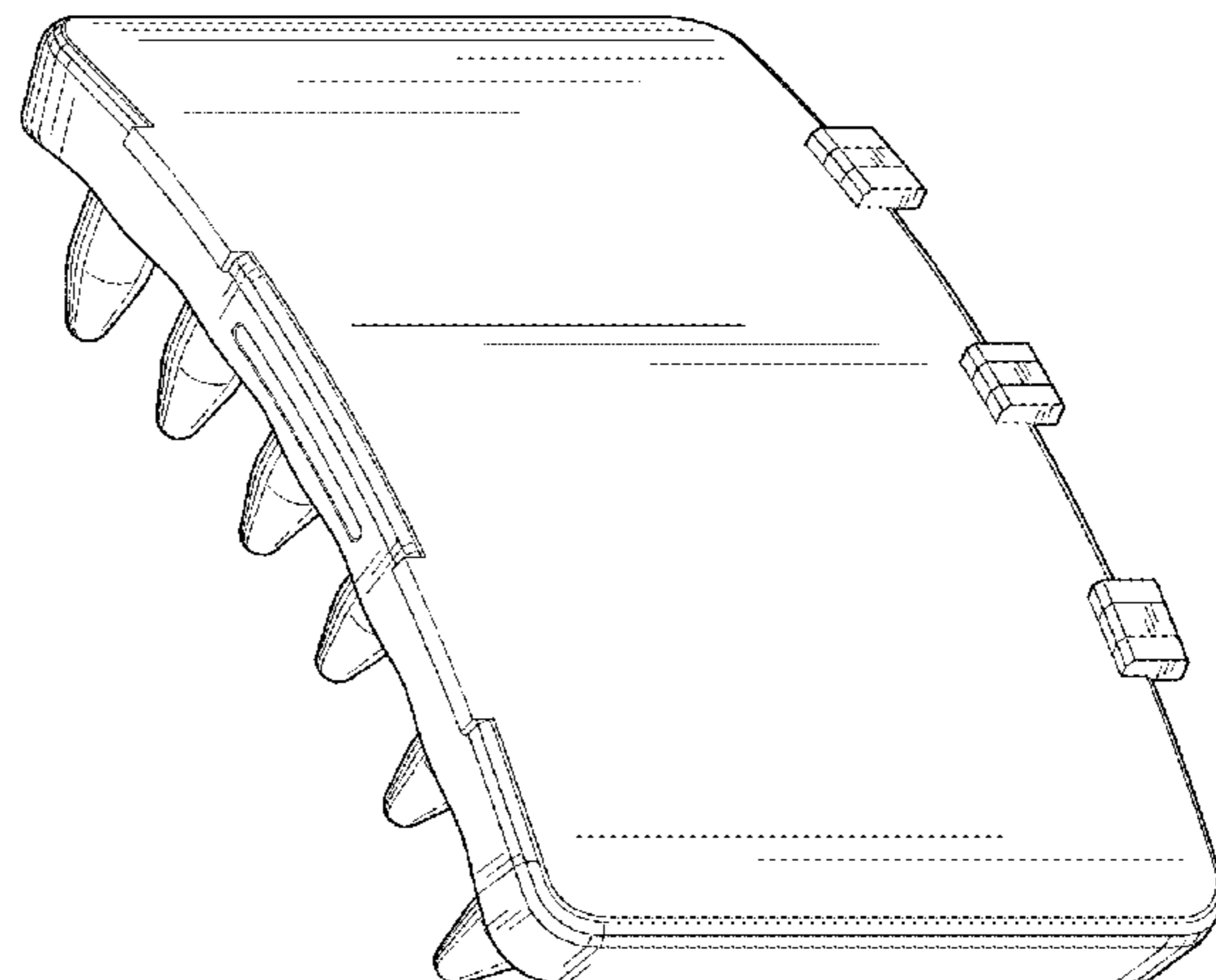
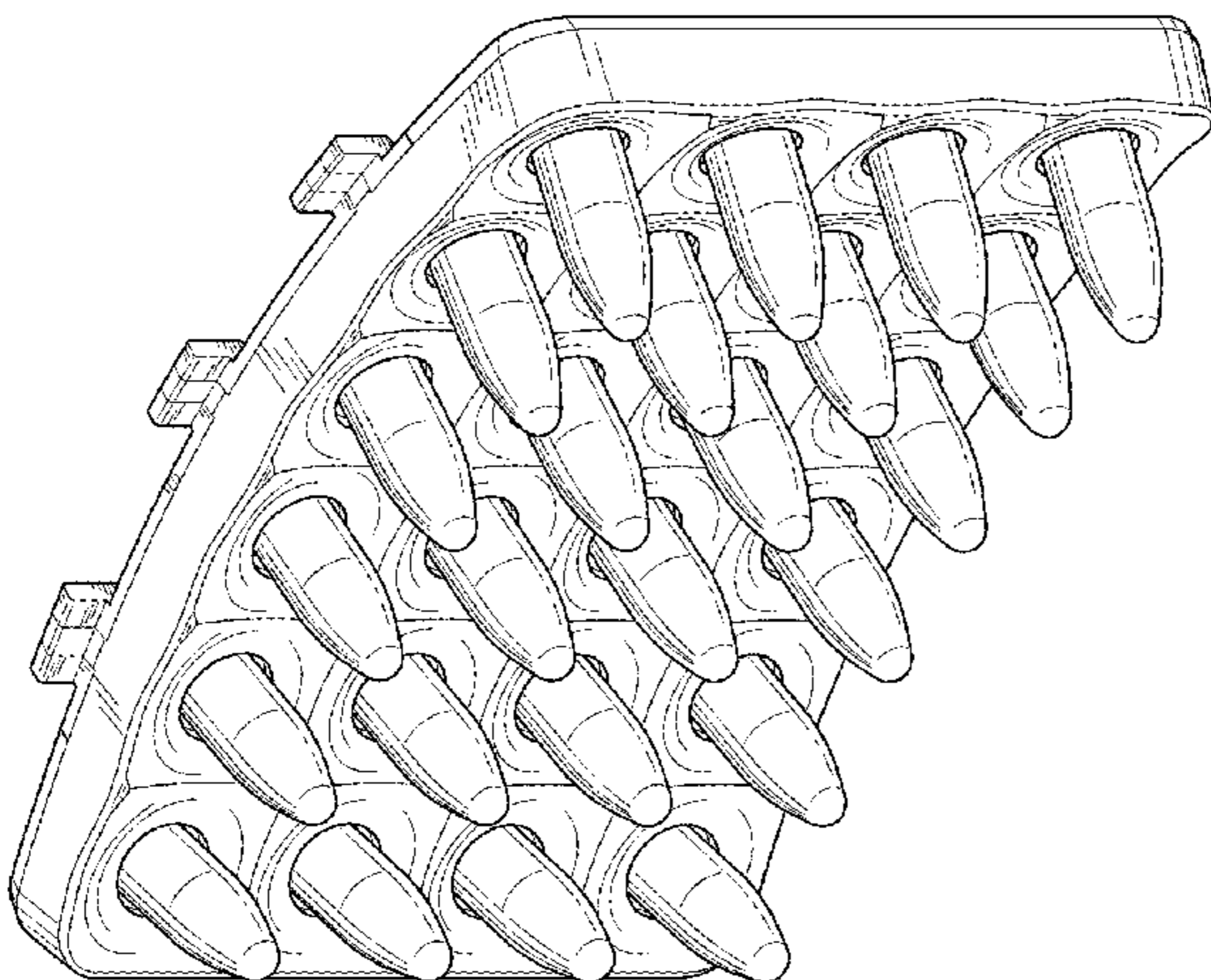
(57) **CLAIM**

The ornamental design for an electrode, as shown and described.

**DESCRIPTION**

FIG. 1 is an isometric view, from the bottom back side, of the electrode.  
FIG. 2 is an isometric view, from the upper front side, of the electrode.  
FIG. 3 is an elevation view of the back of the electrode.  
FIG. 4 is a plan view of the bottom of the electrode.  
FIG. 5 is a plan view of the front of the electrode.  
FIG. 6 is an elevation view of the top of the electrode.  
FIG. 7 is an elevation view of the left of the electrode; and, FIG. 8 is an elevation view of the right of the electrode.

**1 Claim, 3 Drawing Sheets**



(56)

References Cited

U.S. PATENT DOCUMENTS

|                |         |             |       |              |                   |         |         |       |              |
|----------------|---------|-------------|-------|--------------|-------------------|---------|---------|-------|--------------|
| D584,863 S *   | 1/2009  | Garry       | ..... | D30/158      | 9,031,631 B2 *    | 5/2015  | Tong    | ..... | A61B 5/0478  |
| D647,208 S *   | 10/2011 | Rothman     | ..... | D24/187      |                   |         |         |       | 600/383      |
| 8,086,322 B2 * | 12/2011 | Schouenborg | ..... | A61N 1/0456  | D747,495 S *      | 1/2016  | Attal   | ..... | D24/186      |
|                |         |             |       | 600/372      | D749,747 S *      | 2/2016  | Nanjyo  | ..... | D24/211      |
| 8,392,250 B2 * | 3/2013  | Pradeep     | ..... | A61B 5/04842 | 2002/0049469 A1 * | 4/2002  | Chang   | ..... | A43B 7/146   |
|                |         |             |       | 705/14.41    |                   |         |         |       | 606/204      |
| 8,417,352 B2 * | 4/2013  | Carroll     | ..... | A61N 1/0456  | 2002/0120261 A1 * | 8/2002  | Morris  | ..... | A61B 18/1477 |
|                |         |             |       | 600/372      |                   |         |         |       | 606/41       |
| D698,454 S *   | 1/2014  | DiStefano   | ..... | D24/215      | 2005/0043775 A1 * | 2/2005  | John    | ..... | A61N 1/0504  |
| D699,903 S *   | 2/2014  | Singer      | ..... | D30/159      |                   |         |         |       | 607/69       |
| 8,774,891 B1 * | 7/2014  | Osa         | ..... | A61B 5/0478  | 2006/0173261 A1 * | 8/2006  | Kall    | ..... | A61B 5/0492  |
|                |         |             |       | 607/118      |                   |         |         |       | 600/372      |
| D712,058 S *   | 8/2014  | Huang       | ..... | D24/215      | 2007/0225585 A1 * | 9/2007  | Washbon | ..... | A61B 5/0478  |
| D712,470 S *   | 9/2014  | Riddle      | ..... | D19/59       |                   |         |         |       | 600/393      |
| D712,471 S *   | 9/2014  | Riddle      | ..... | D19/59       | 2013/0274583 A1 * | 10/2013 | Heck    | ..... | A61B 5/0488  |
| D712,562 S *   | 9/2014  | Kelly       | ..... | A47K 7/026   |                   |         |         |       | 600/383      |
|                |         |             |       | D24/211      | 2015/0182165 A1 * | 7/2015  | Miller  | ..... | A61B 5/0476  |
| D724,752 S *   | 3/2015  | Huang       | ..... | D24/215      |                   |         |         |       | 600/544      |
| D728,801 S *   | 5/2015  | Machon      | ..... | D24/187      | 2015/0282760 A1 * | 10/2015 | Badower | ..... | A61B 5/0478  |
|                |         |             |       |              |                   |         |         |       | 600/383      |
|                |         |             |       |              | 2016/0354005 A1 * | 12/2016 | Oakley  | ..... | A61B 5/0478  |

\* cited by examiner

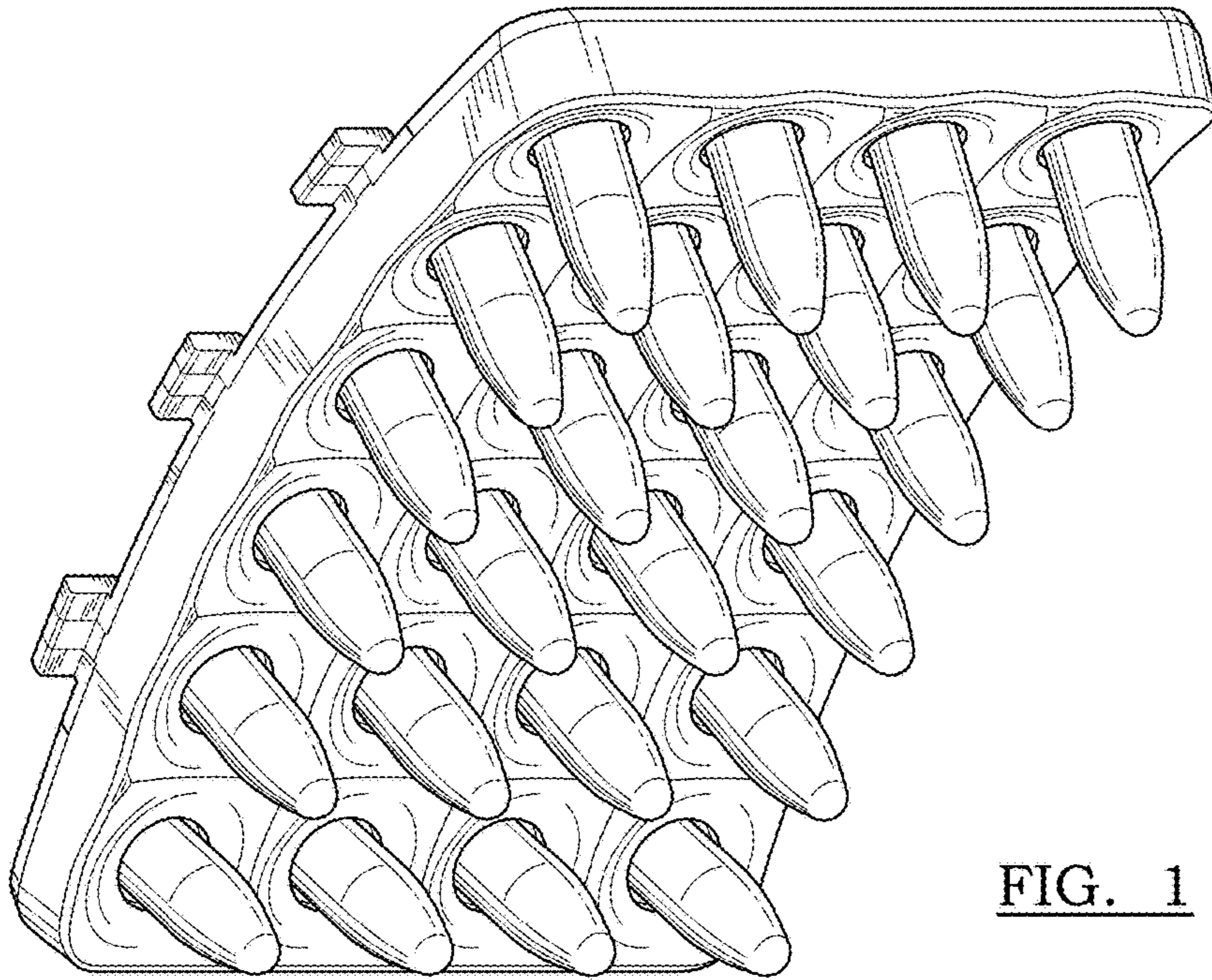


FIG. 1

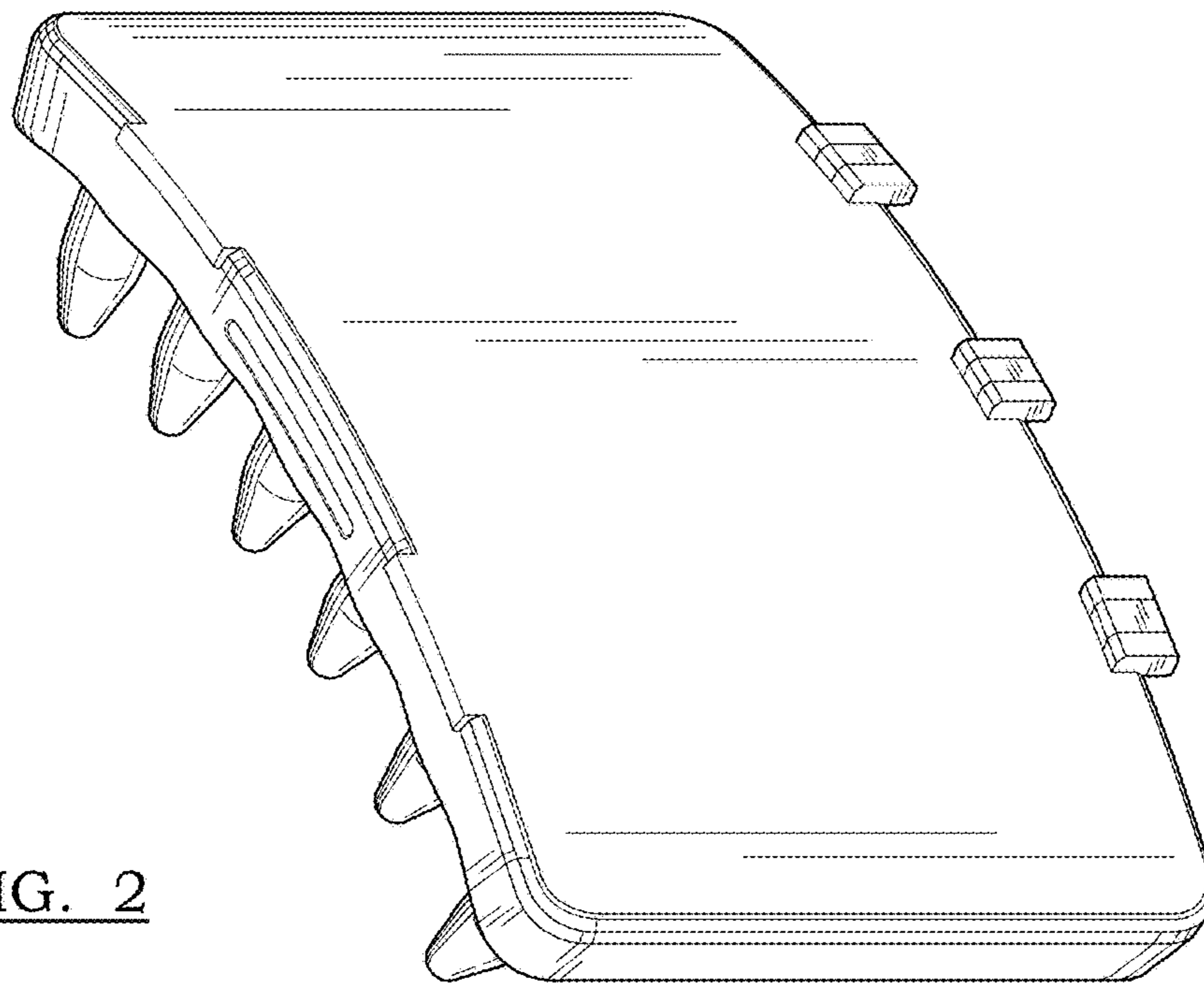


FIG. 2

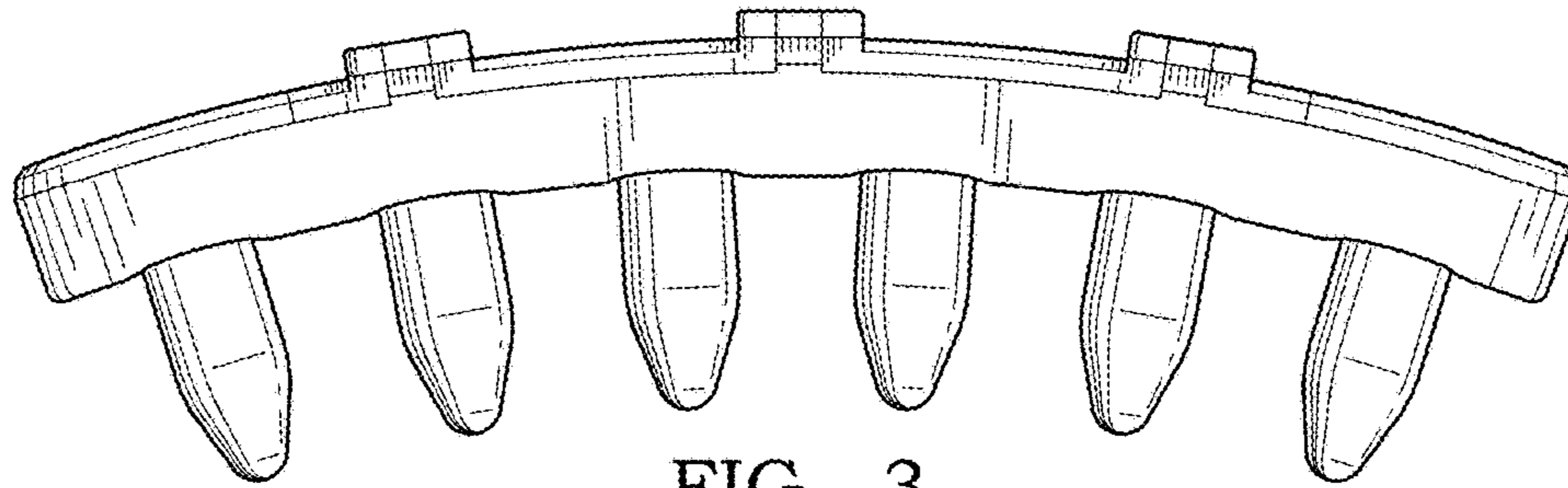


FIG. 3

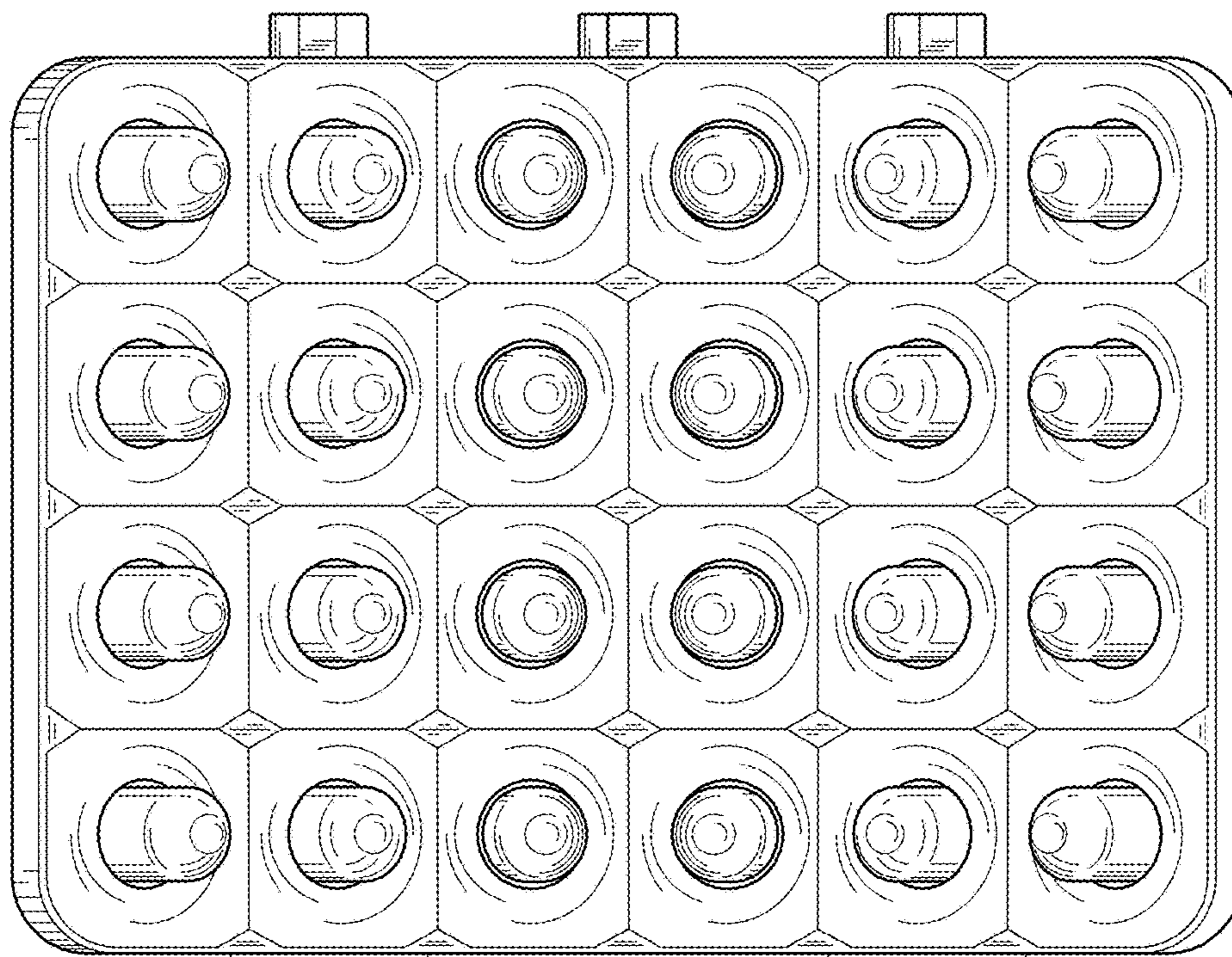


FIG. 4

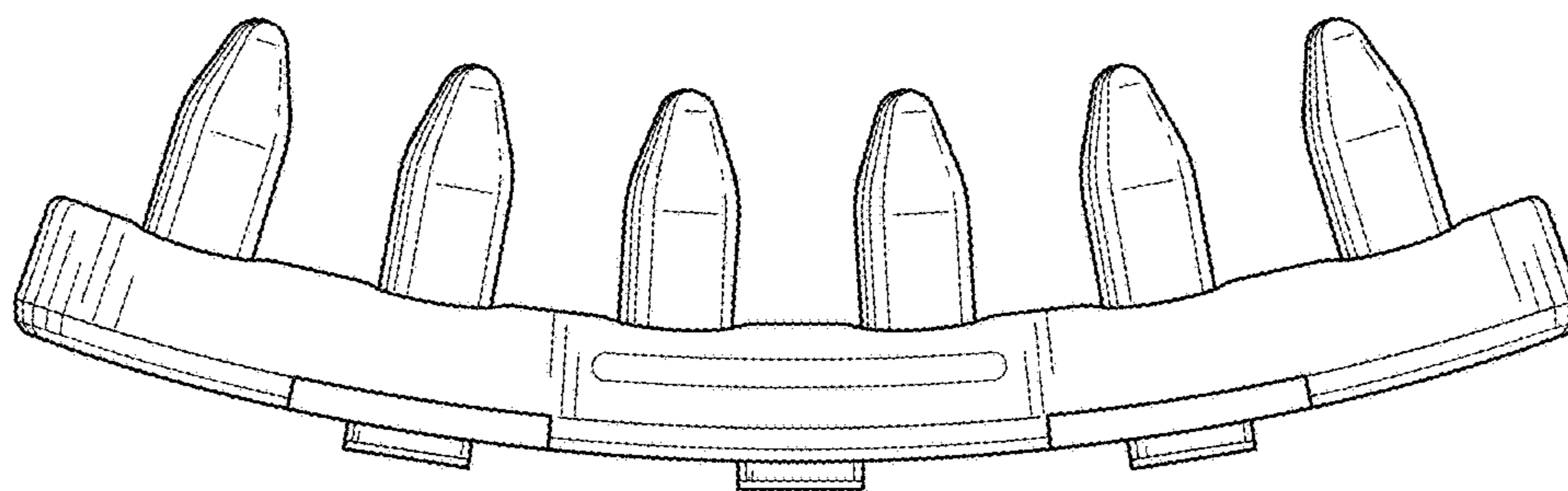


FIG. 5

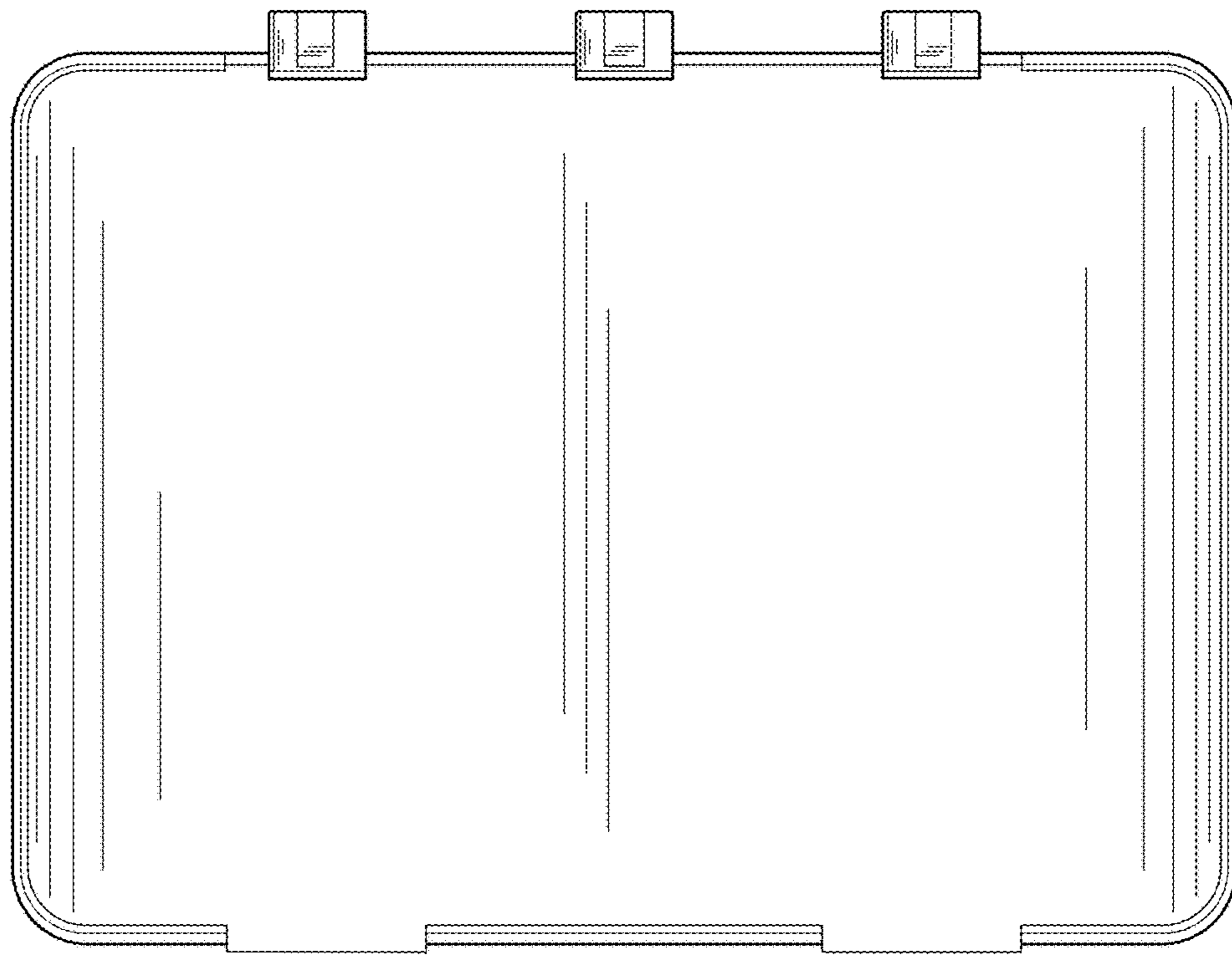


FIG. 6

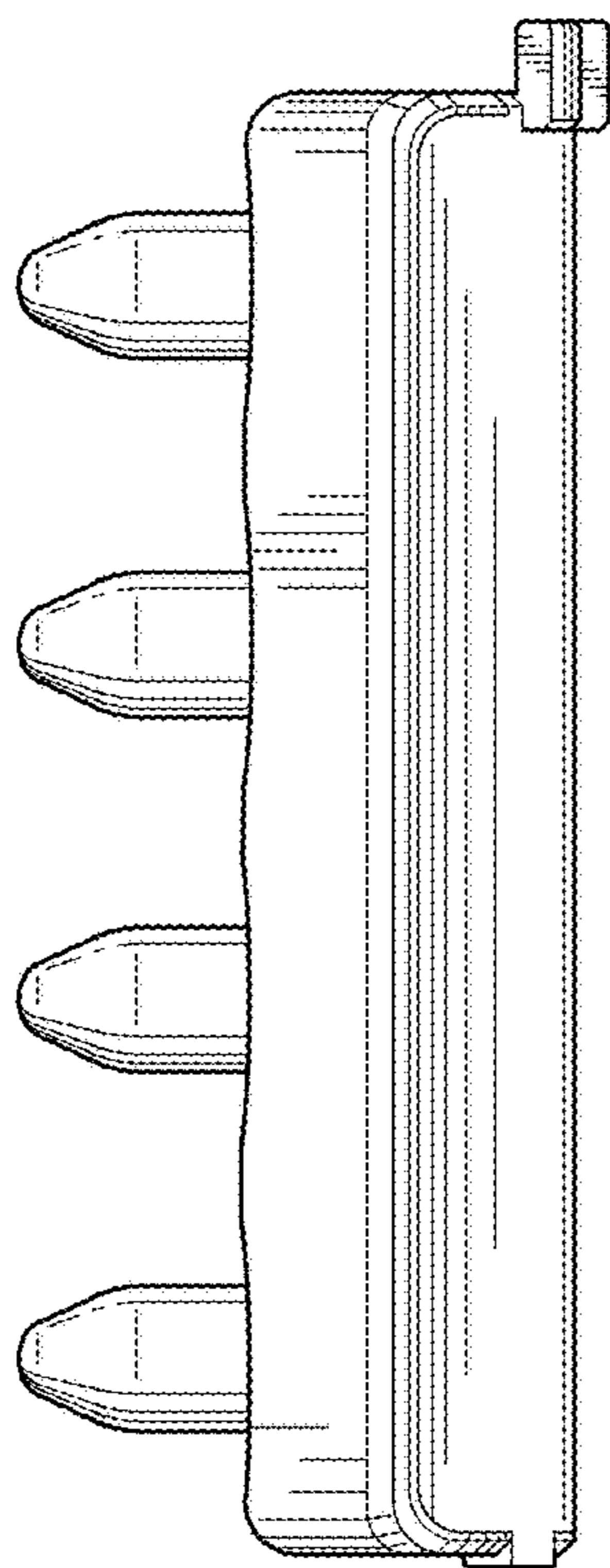


FIG. 7

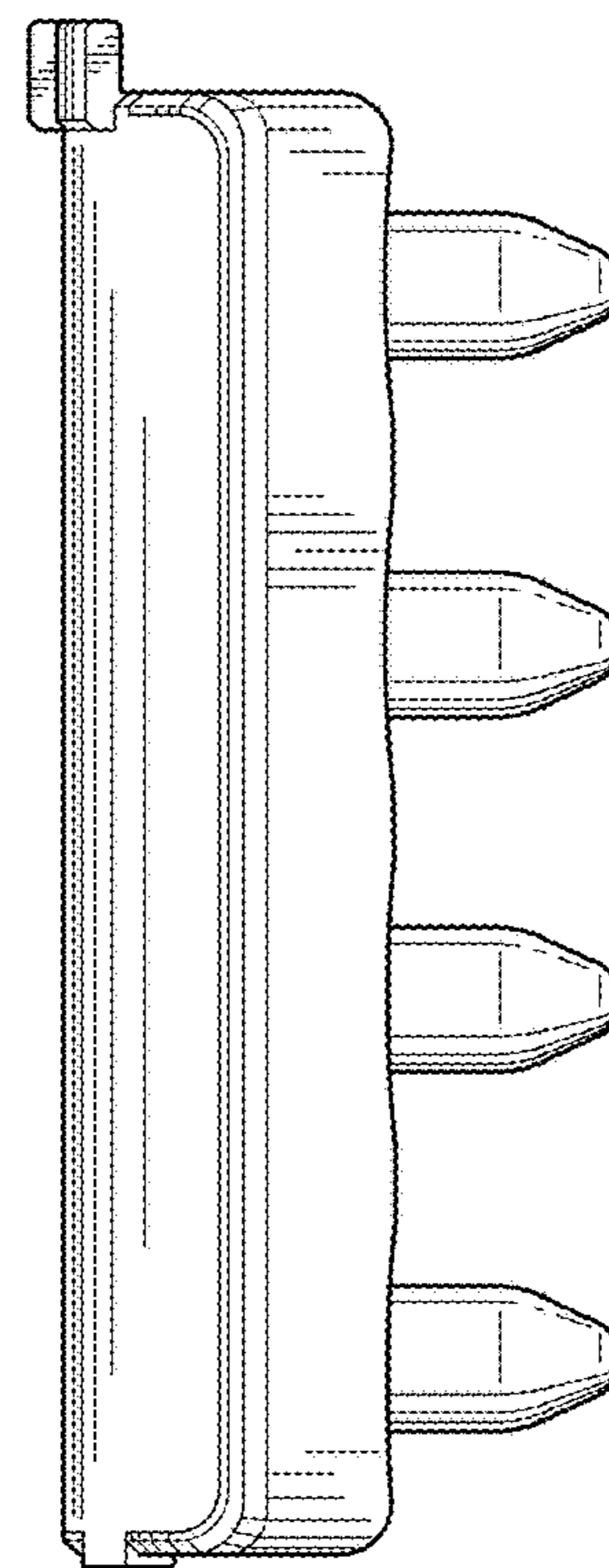


FIG. 8