



US00D797296S

(12) **United States Design Patent** (10) **Patent No.:** **US D797,296 S**  
**Dehollander et al.** (45) **Date of Patent:** **\*\* Sep. 12, 2017**

(54) **MEDICAL DIAGNOSTIC DEVICE** 4,781,193 A \* 11/1988 Pagden ..... A61F 7/02  
607/104  
(71) Applicant: **“PILIPILI” Productontwerp NV,** 4,928,696 A \* 5/1990 Henderson ..... A61B 5/0478  
Kortrijk (BE) 600/393  
4,967,038 A \* 10/1990 Gevins ..... A61B 5/0476  
600/544  
(72) Inventors: **Steven Dehollander,** Vlamertinge (BE);  
**Lukas Costeur,** Heule (BE); **Brecht**  
**Bonte,** Roeselare (BE) D348,520 S \* 7/1994 Wolf ..... D24/200  
5,800,351 A \* 9/1998 Mann ..... A61B 5/0478  
607/139  
(73) Assignee: **“PILIPILI” Productonwerp NV,** D405,538 S \* 2/1999 Chih ..... D24/215  
Kortrijk (BE) 6,077,237 A \* 6/2000 Campbell ..... A61N 1/0456  
600/587  
(\*\*) Term: **15 Years** D456,908 S \* 5/2002 Cunningham ..... D24/200  
6,394,953 B1 \* 5/2002 Devlin ..... A61B 5/4821  
600/383

(21) Appl. No.: **29/552,876**

(Continued)

(22) Filed: **Jan. 26, 2016**

*Primary Examiner* — Ian Simmons

*Assistant Examiner* — Mark Cavanna

(30) **Foreign Application Priority Data**

(74) *Attorney, Agent, or Firm* — Symbus Law Group,  
LLC; Clifford D. Hyra

Jul. 24, 2015 (EM) ..... 002742163-0001

(51) **LOC (10) Cl.** ..... **24-01**

(52) **U.S. Cl.**

USPC ..... **D24/187**

(57) **CLAIM**

(58) **Field of Classification Search**

The ornamental design for a medical diagnostic device, as shown and described.

USPC ..... D24/186, 187, 200, 215, 168; 607/109,  
607/110, 139, 104; 600/372, 376, 382,  
600/383, 386, 388, 393, 587, 558, 484,  
600/301, 473, 544–545; 705/14.41;  
345/8; 434/236

CPC ... A61B 5/0478; A61B 5/0476; A61B 5/4821;  
A61B 5/04085; A61B 5/0484; A61B  
5/0073; A61B 5/6814; A61B 5/6885;  
A61B 5/04842; A61B 5/048; A61B  
5/04012; A61B 5/6803; A61B 5/11; A61B  
5/02055; A61F 7/02; A61F 11/12; A61N  
1/0456; A61N 1/32; G09B 5/02

See application file for complete search history.

**DESCRIPTION**

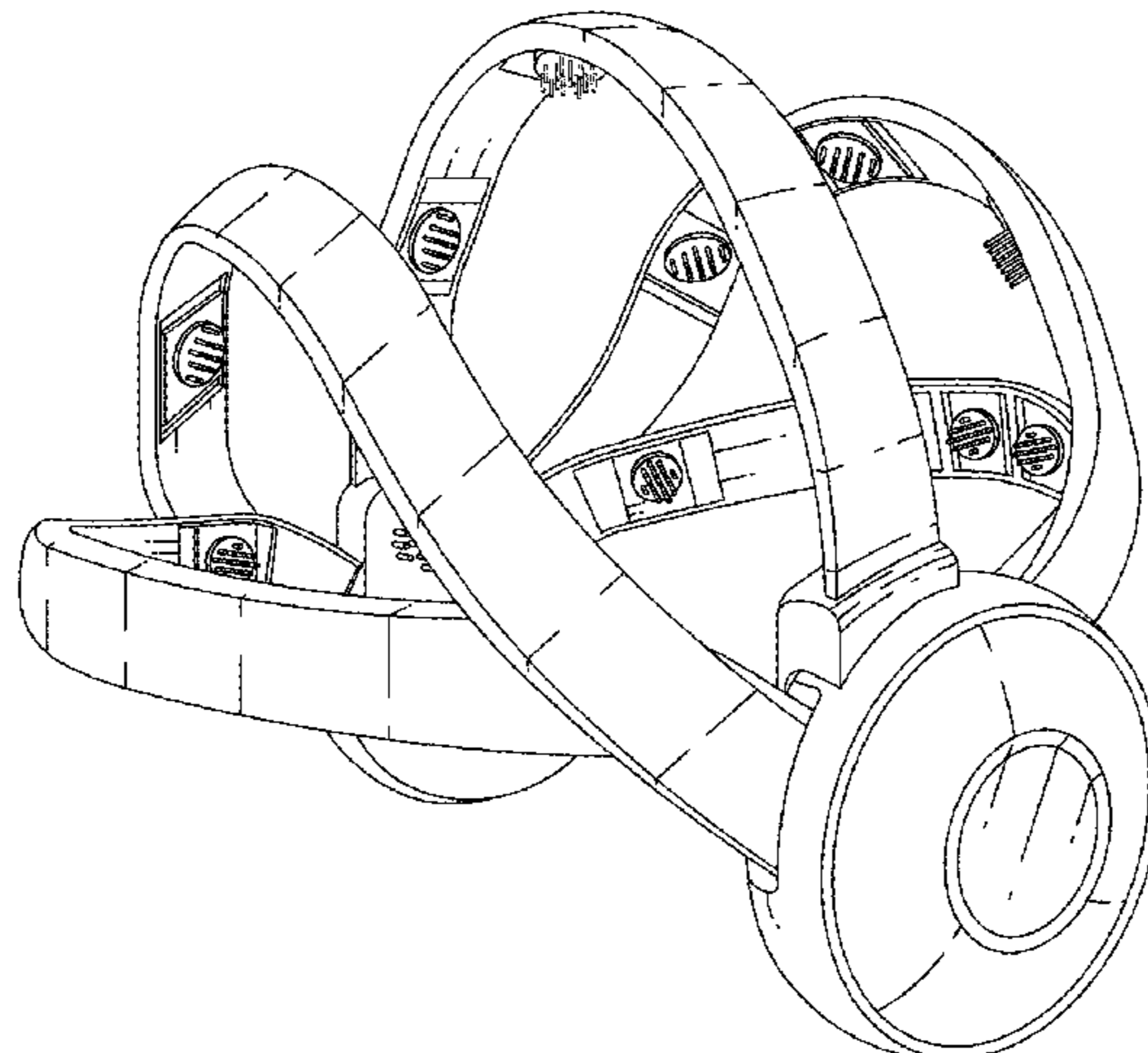
FIG. 1 is a top, front and left side perspective view of a medical diagnostic device.  
FIG. 2 is a left side view thereof.  
FIG. 3 is a right side view thereof.  
FIG. 4 is a top view thereof.  
FIG. 5 is a bottom view thereof.  
FIG. 6 is a rear view thereof.  
FIG. 7 is a front view thereof; and,  
FIG. 8 is a detail view thereof.  
The broken lines are a boundary line indicating the edges of the detail view and form no part of the claimed design.

(56) **References Cited**

**U.S. PATENT DOCUMENTS**

D277,787 S \* 2/1985 Corbett ..... D24/187  
4,537,198 A \* 8/1985 Corbett ..... A61B 5/0478  
600/383

**1 Claim, 6 Drawing Sheets**



(56)

References Cited

U.S. PATENT DOCUMENTS

6,549,808 B1 *	4/2003	Gisel .....	A61N 1/32 607/139	2007/0191727 A1 *	8/2007	Fadem .....	A61B 5/0002 600/558
D565,735 S *	4/2008	Washbon .....	D24/187	2007/0225585 A1 *	9/2007	Washbon .....	A61B 5/0478 600/393
D578,221 S *	10/2008	Sakurai .....	D24/187	2011/0004089 A1 *	1/2011	Chou .....	A61B 5/0478 600/383
D578,222 S *	10/2008	Sakurai .....	D24/187	2011/0015503 A1 *	1/2011	Joffe .....	A61B 5/04004 600/544
D585,557 S *	1/2009	Sakurai .....	D24/187	2012/0071781 A1 *	3/2012	Fadem .....	A61B 5/6885 600/544
7,551,952 B2 *	6/2009	Gevins .....	A61B 5/6814 600/393	2012/0296191 A1 *	11/2012	McGrath .....	A61B 5/0476 600/383
8,376,952 B2 *	2/2013	Lee .....	A61B 5/6814 600/484	2013/0012802 A1 *	1/2013	Horseman .....	A61B 5/0476 600/545
8,392,250 B2 *	3/2013	Pradeep .....	A61B 5/04842 705/14.41	2013/0190678 A1 *	7/2013	Andreas .....	A61F 11/12 604/278
8,948,849 B2 *	2/2015	Diamond .....	A61B 5/0478 600/473	2013/0274583 A1 *	10/2013	Heck .....	A61B 5/0488 600/383
8,989,835 B2 *	3/2015	Badower .....	A61B 5/04012 600/383	2014/0249385 A1 *	9/2014	Wada .....	A61B 5/0478 600/301
8,989,857 B2 *	3/2015	Heck .....	A63F 13/235 600/383	2015/0112153 A1 *	4/2015	Nahum .....	A61B 5/11 600/301
D728,109 S *	4/2015	Ko .....	D24/186	2015/0282760 A1 *	10/2015	Badower .....	A61B 5/04012 600/383
D728,801 S *	5/2015	Machon .....	D24/187	2015/0313496 A1 *	11/2015	Connor .....	A61B 5/02055 600/544
9,031,631 B2 *	5/2015	Tong .....	A61B 5/6803 600/544	2016/0077547 A1 *	3/2016	Aimone .....	A61B 5/0402 345/8
D753,833 S *	4/2016	Ruffini .....	D24/187	2016/0196765 A1 *	7/2016	Stauch .....	G09B 5/02 434/236
9,433,774 B2 *	9/2016	Dar .....	A61B 5/0478	2016/0354005 A1 *	12/2016	Oakley .....	A61B 5/6803
2002/0188216 A1 *	12/2002	Kayyali .....	A61B 5/04085 600/544				
2005/0107716 A1 *	5/2005	Eaton .....	A61B 5/0073 600/544				

\* cited by examiner

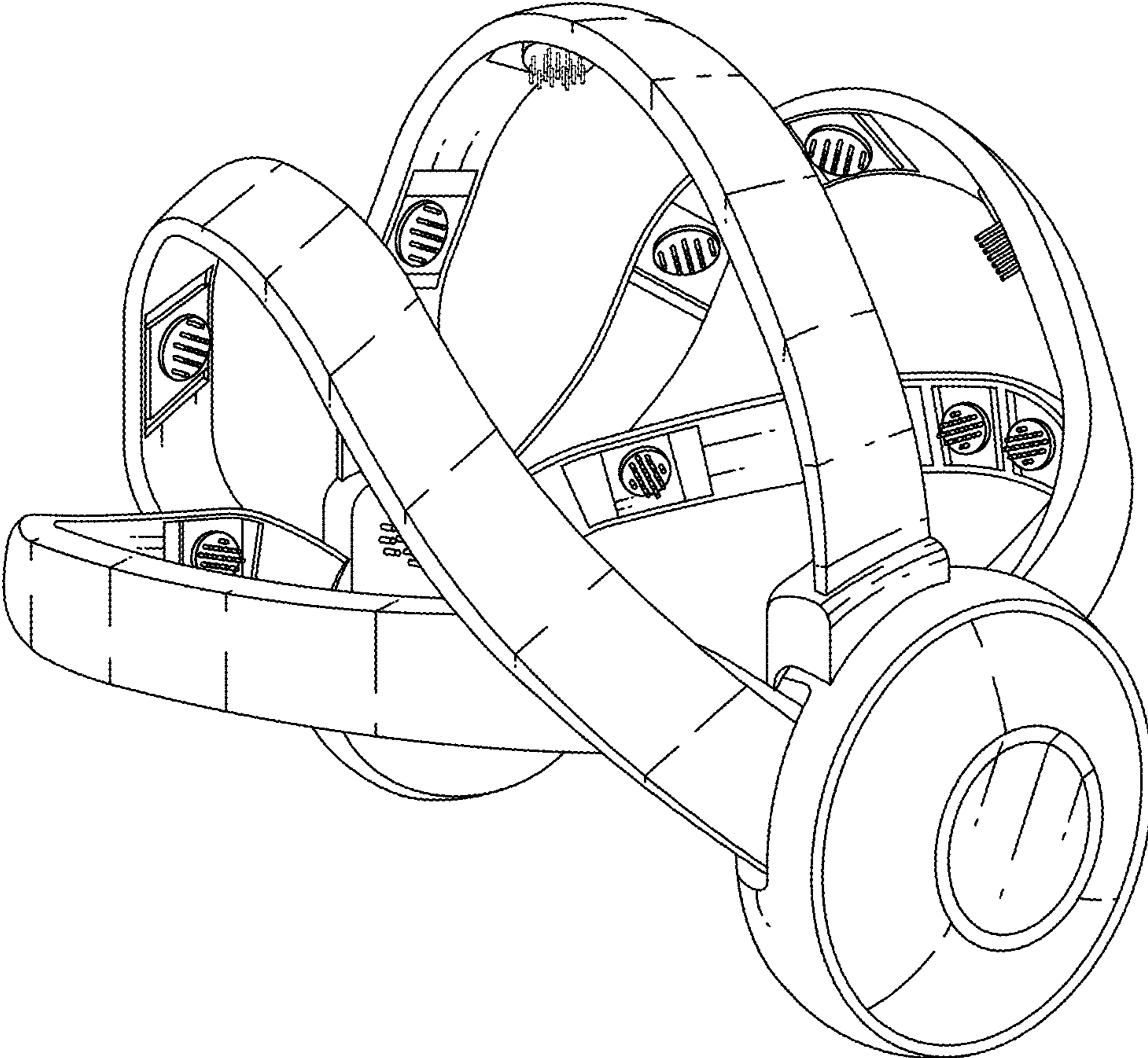


FIG. 1



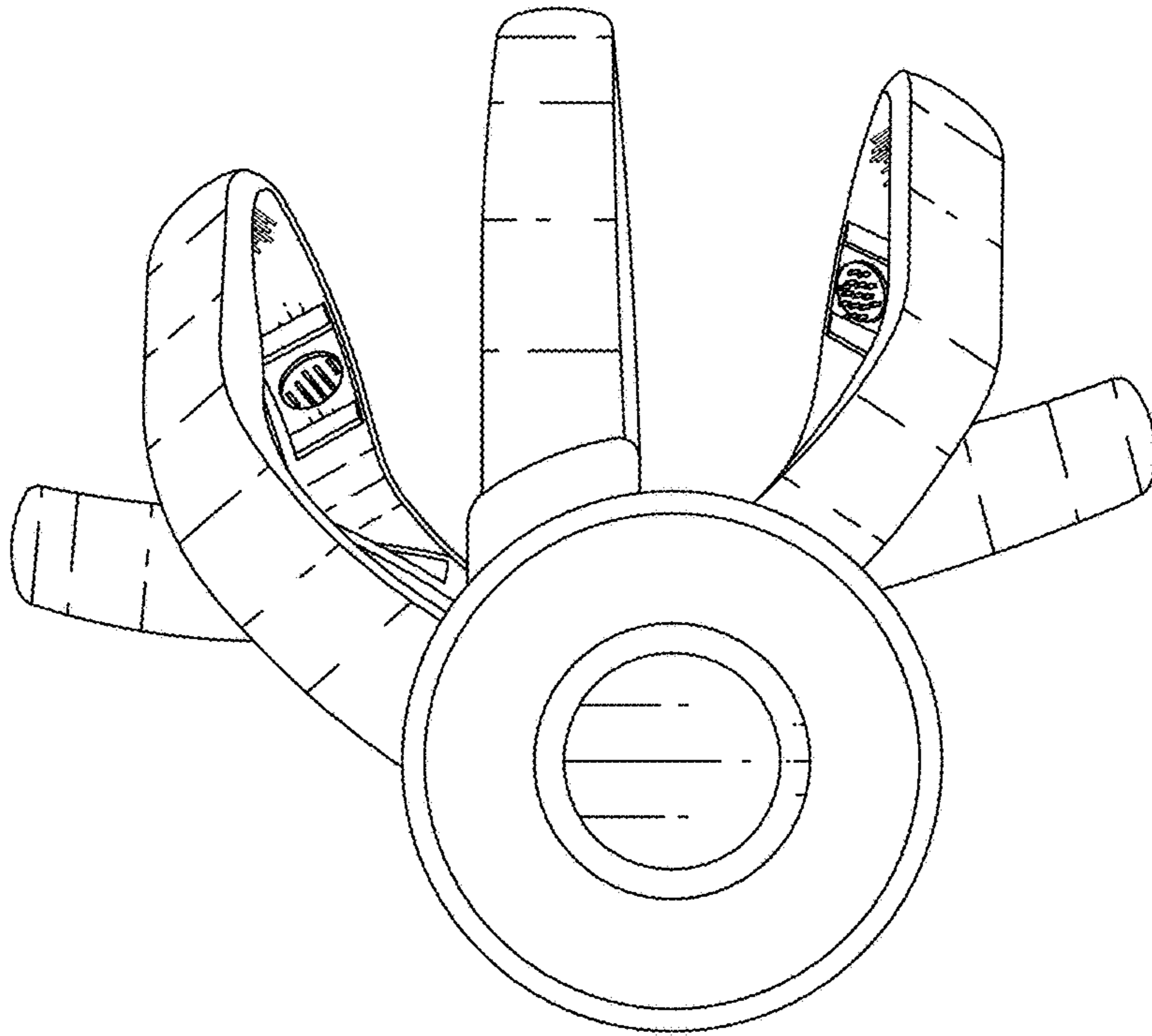


FIG. 2

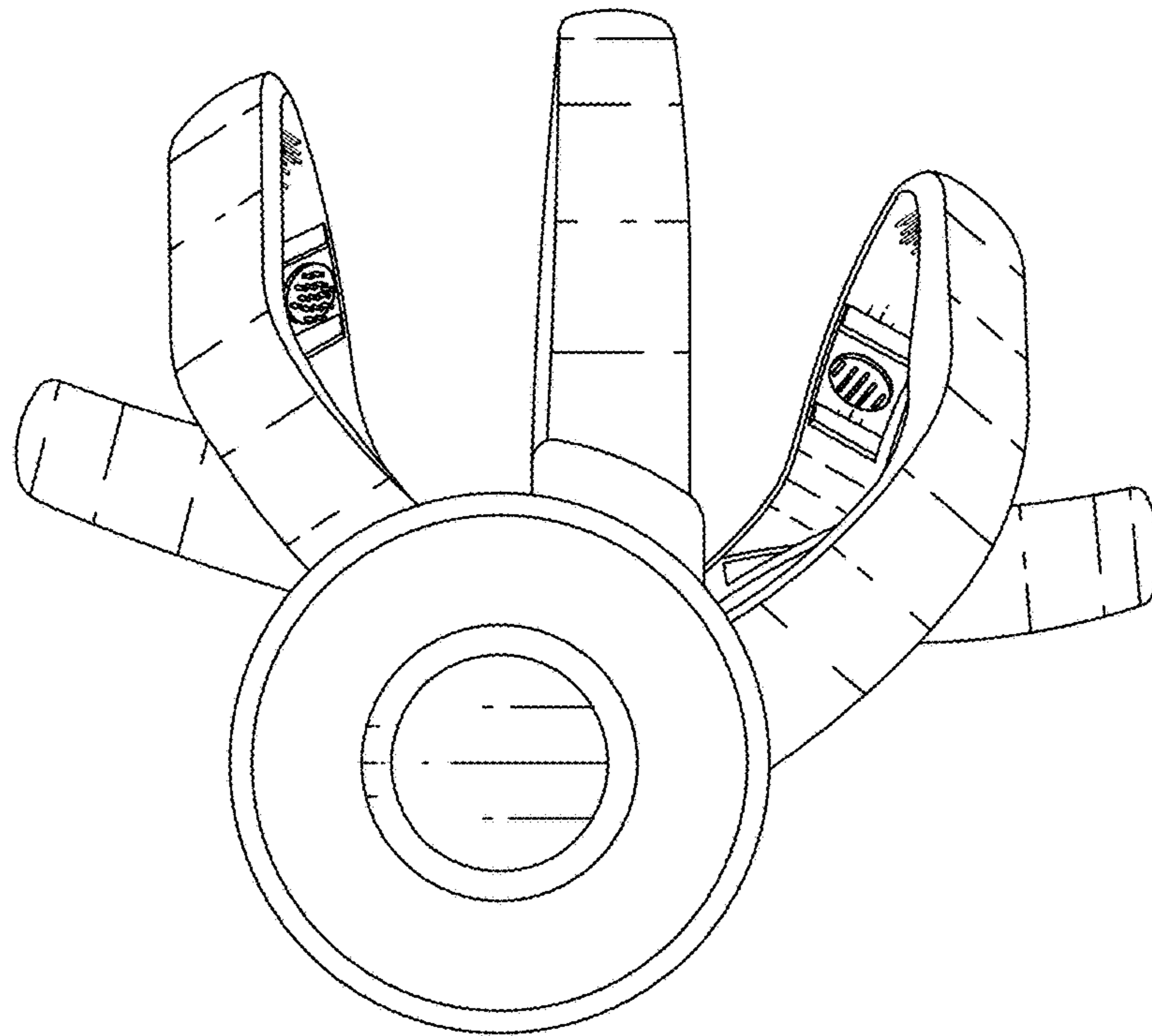


FIG. 3

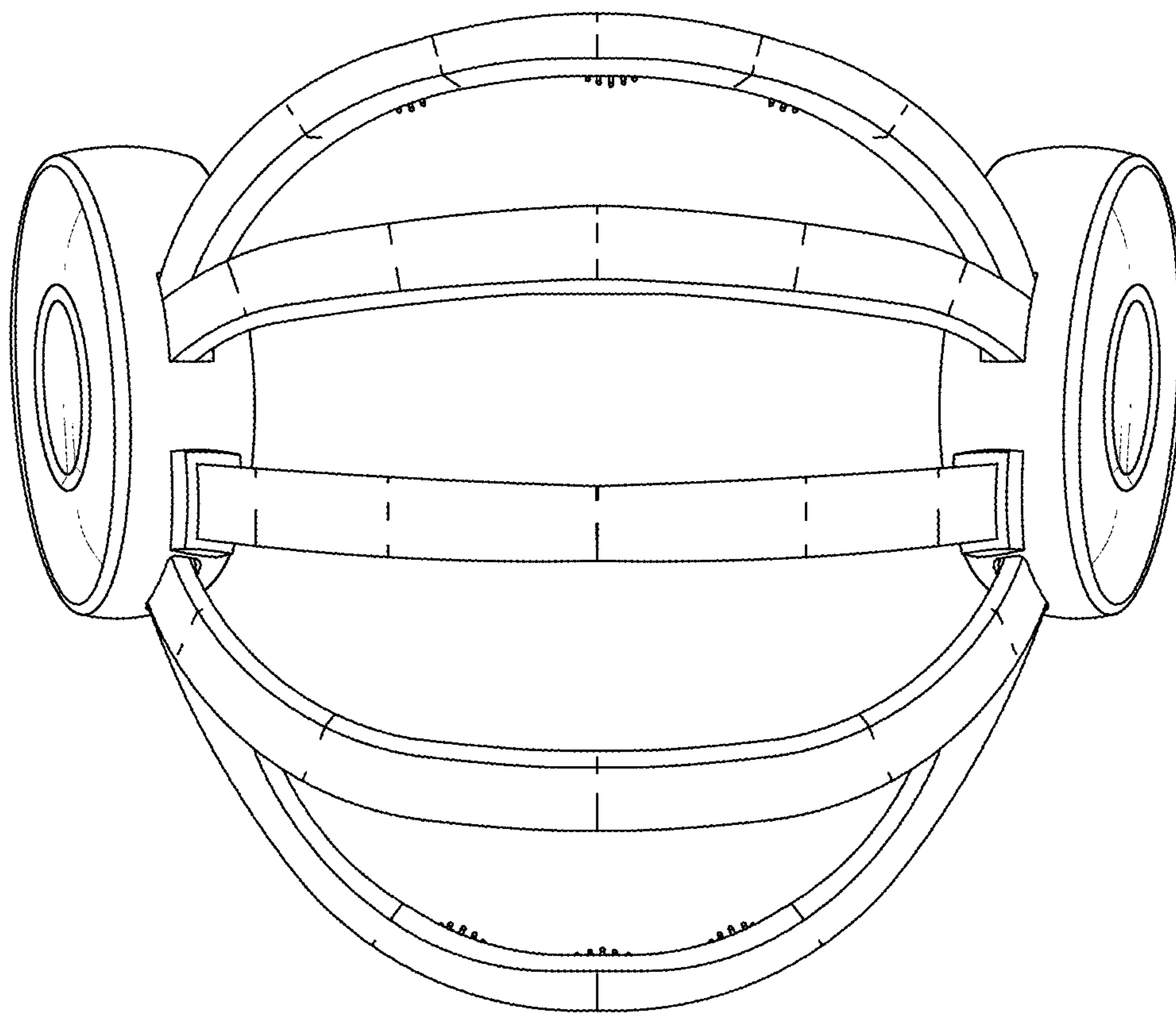


FIG. 4

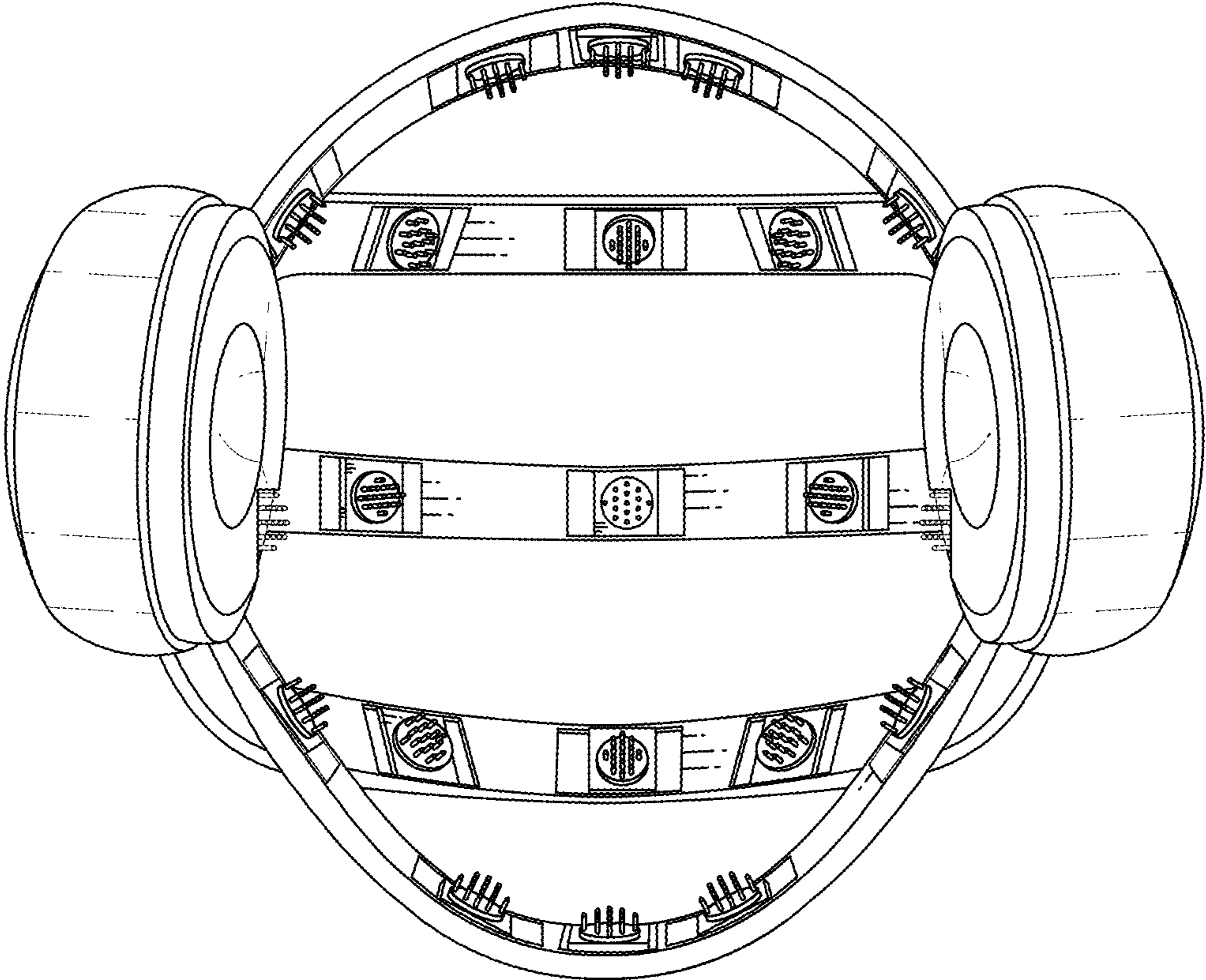


FIG. 5

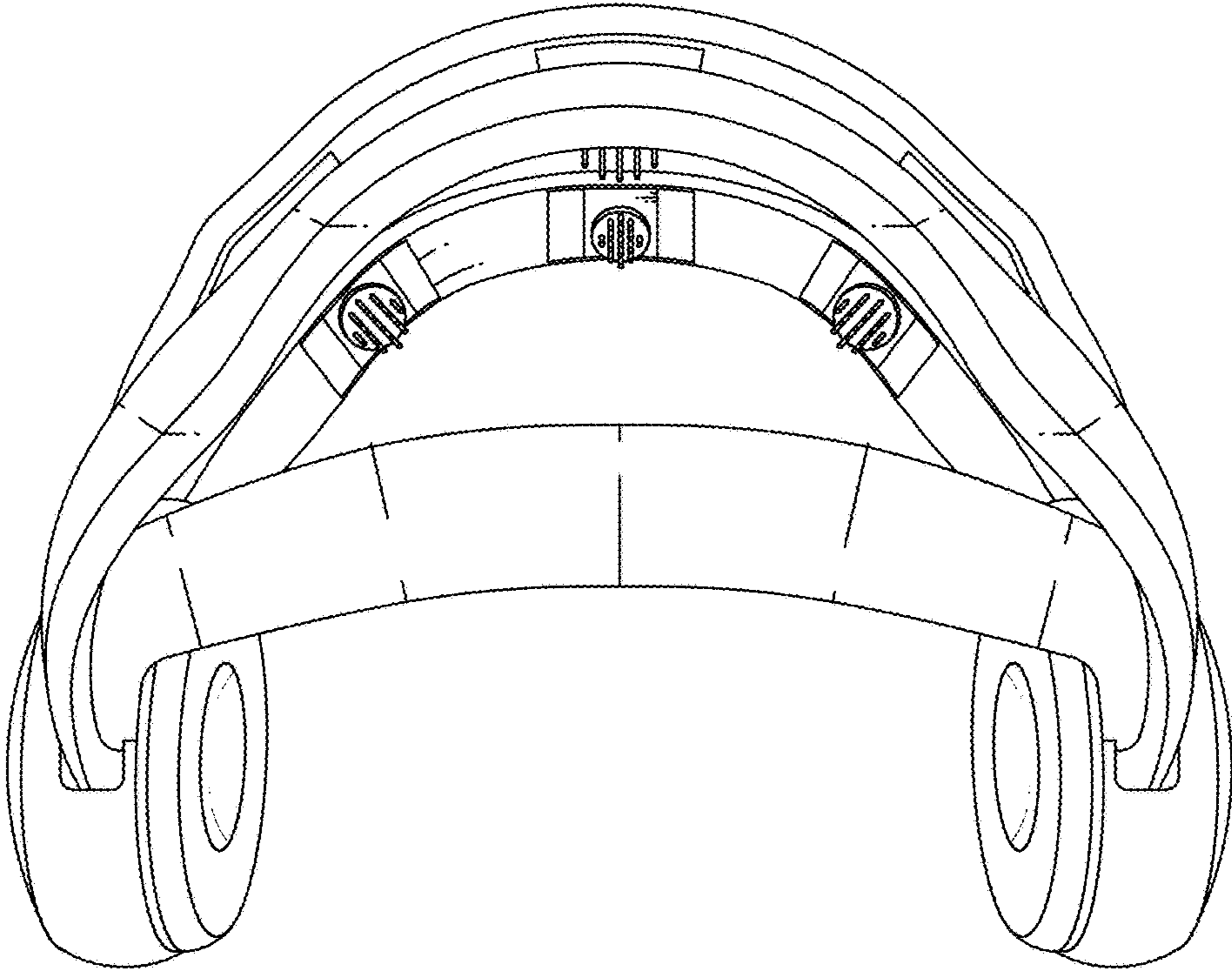


FIG. 6

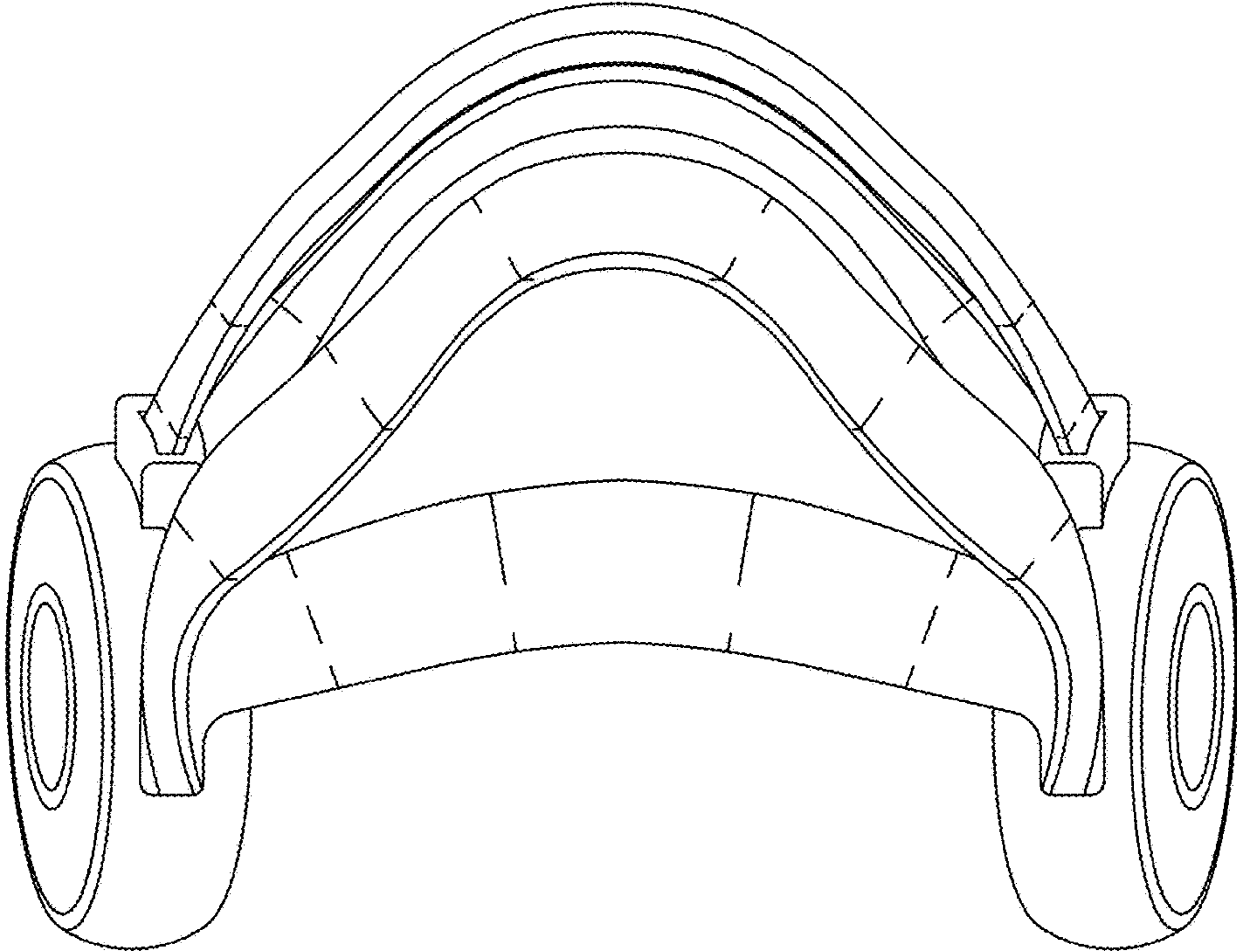


FIG. 7

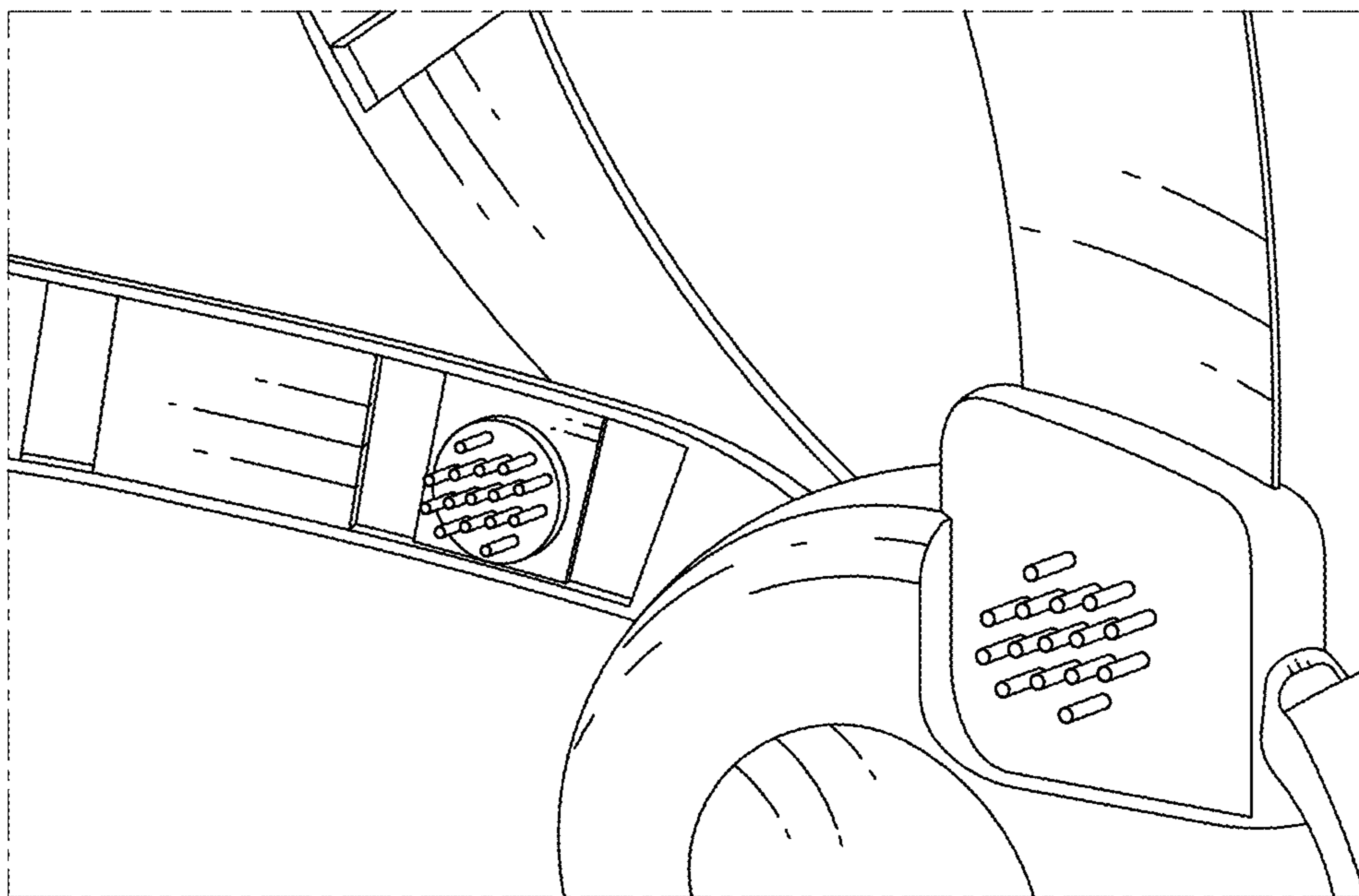


FIG. 8