



US00D797295S

(12) **United States Design Patent**
Nishikawa et al.

(10) **Patent No.:** **US D797,295 S**

(45) **Date of Patent:** **** Sep. 12, 2017**

(54) **IMMUNOCHROMATOGRAPHIC TEST DEVICE**

D733,917 S * 7/2015 Klein D24/232
D753,311 S * 4/2016 Long D24/186
D772,086 S * 11/2016 Schueren D10/81

(71) Applicant: **SEKISUI MEDICAL CO., LTD.**,
Tokyo (JP)

* cited by examiner

(72) Inventors: **Masato Nishikawa**, Osaka (JP); **Kazuo Kotani**, Tokyo (JP); **Motoki Morita**, Tokyo (JP); **Keigo Kohno**, Tokyo (JP)

Primary Examiner — Wan Laymon

Assistant Examiner — Mark Booker

(74) *Attorney, Agent, or Firm* — Muncy, Geissler, Olds & Lowe, P.C.

(73) Assignee: **Sekisui Medical Co., Ltd.**, Tokyo (JP)

(57) **CLAIM**

(**) Term: **15 Years**

The ornamental design for an immunochromatographic test device, as shown and described.

(21) Appl. No.: **29/566,924**

DESCRIPTION

(22) Filed: **Jun. 3, 2016**

(30) **Foreign Application Priority Data**

May 26, 2016 (JP) 2016-11195

(51) **LOC (10) Cl.** **24-01**

(52) **U.S. Cl.**
USPC **D24/186**

(58) **Field of Classification Search**
USPC D24/186, 107-108, 169, 216, 223-225,
D24/229-232; D10/81; 422/63-64, 68.1,
422/85.05, 82.05, 554, 561, 565, 420;
435/287.2

CPC G01N 33/558; G01N 33/56944; Y10S
436/806; Y10S 977/918; Y10S 436/809;
B01D 15/3804; B01D 15/10; B01D
15/3809; B01D 15/3857; B01L
2300/0867; G06K 9/00127

See application file for complete search history.

(56) **References Cited**

U.S. PATENT DOCUMENTS

D678,530 S * 3/2013 Khan D24/186
D686,311 S * 7/2013 Mori D24/108

FIG. 1 is a front right perspective view of an immunochromatographic test device according to the present invention. FIG. 2 is a front view of the immunochromatographic test device of FIG. 1.

FIG. 3 is a rear view of the immunochromatographic test device of FIG. 1.

FIG. 4 is a top view of the immunochromatographic test device of FIG. 1.

FIG. 5 is a bottom view of the immunochromatographic test device of FIG. 1.

FIG. 6 is a right side view of the immunochromatographic test device of FIG. 1.

FIG. 7 is a left side view of the immunochromatographic test device of FIG. 1.

FIG. 8 is a front right perspective view of the immunochromatographic test device of FIG. 1 with a test drawer in an open position; and,

FIG. 9 is a rear left perspective view of the immunochromatographic test device of FIG. 1 with the test drawer in an open position.

The broken lines shown in the figures represent portions of the immunochromatographic test device that form no part of the claimed design.

1 Claim, 7 Drawing Sheets

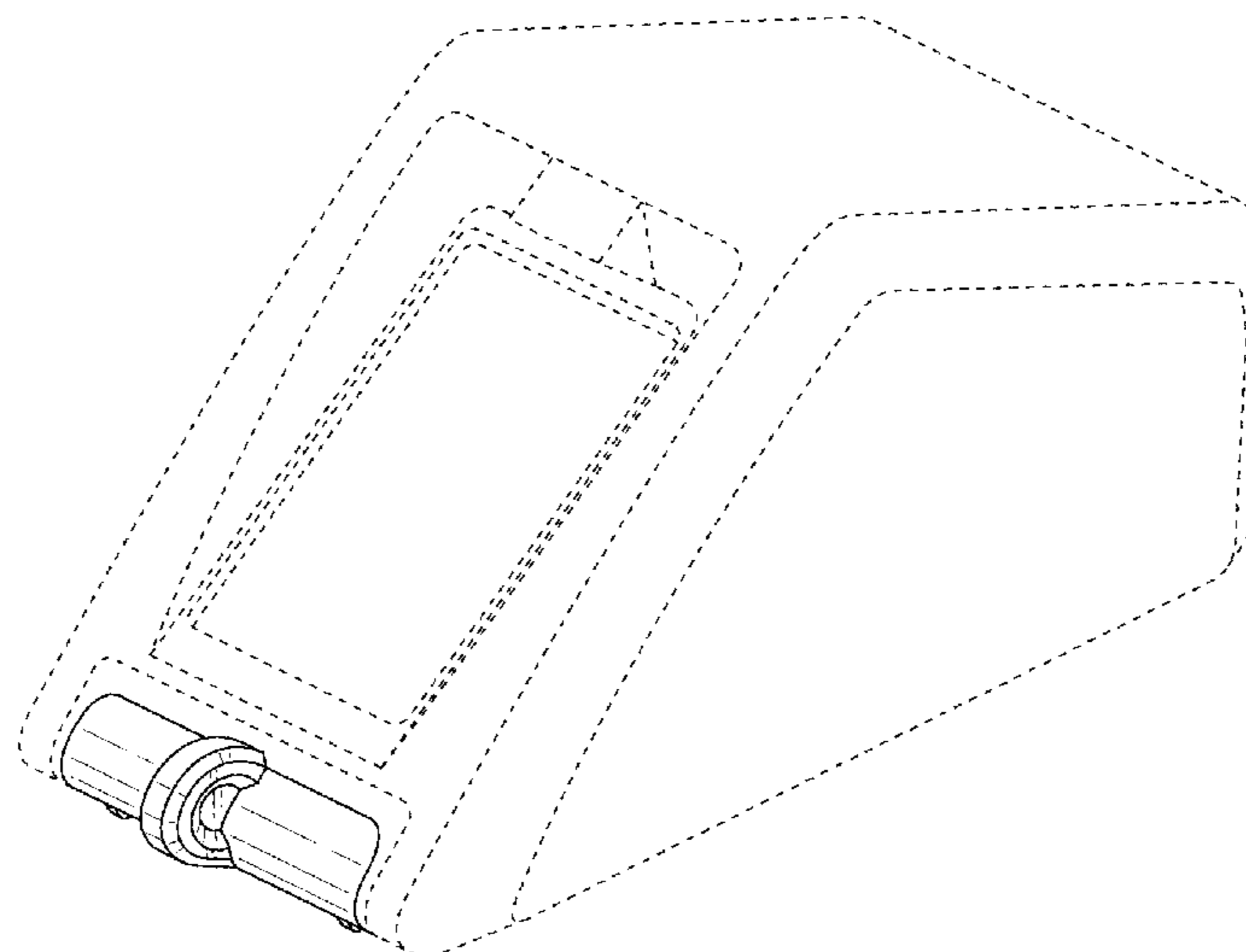


Fig. 1

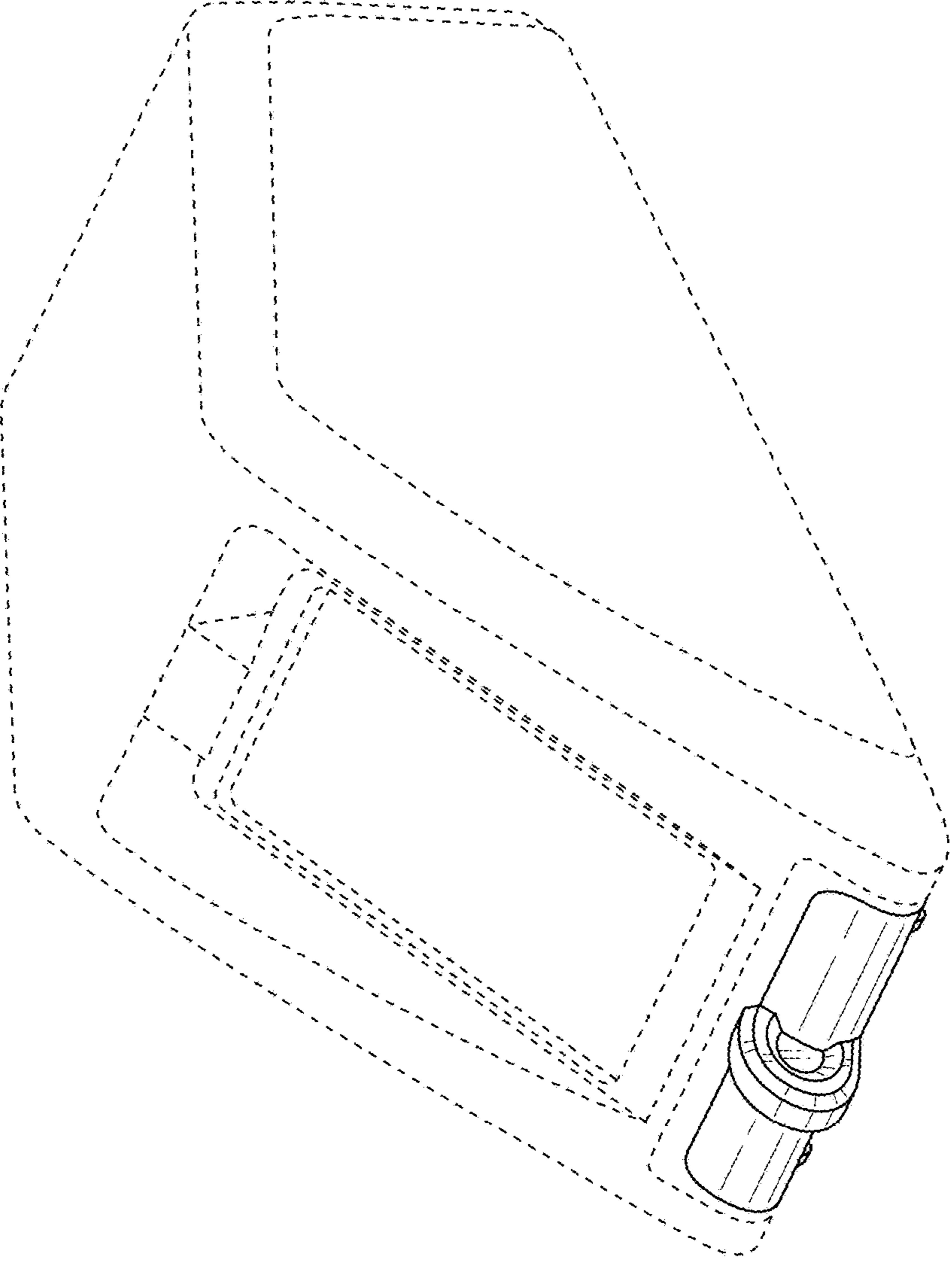


Fig. 3

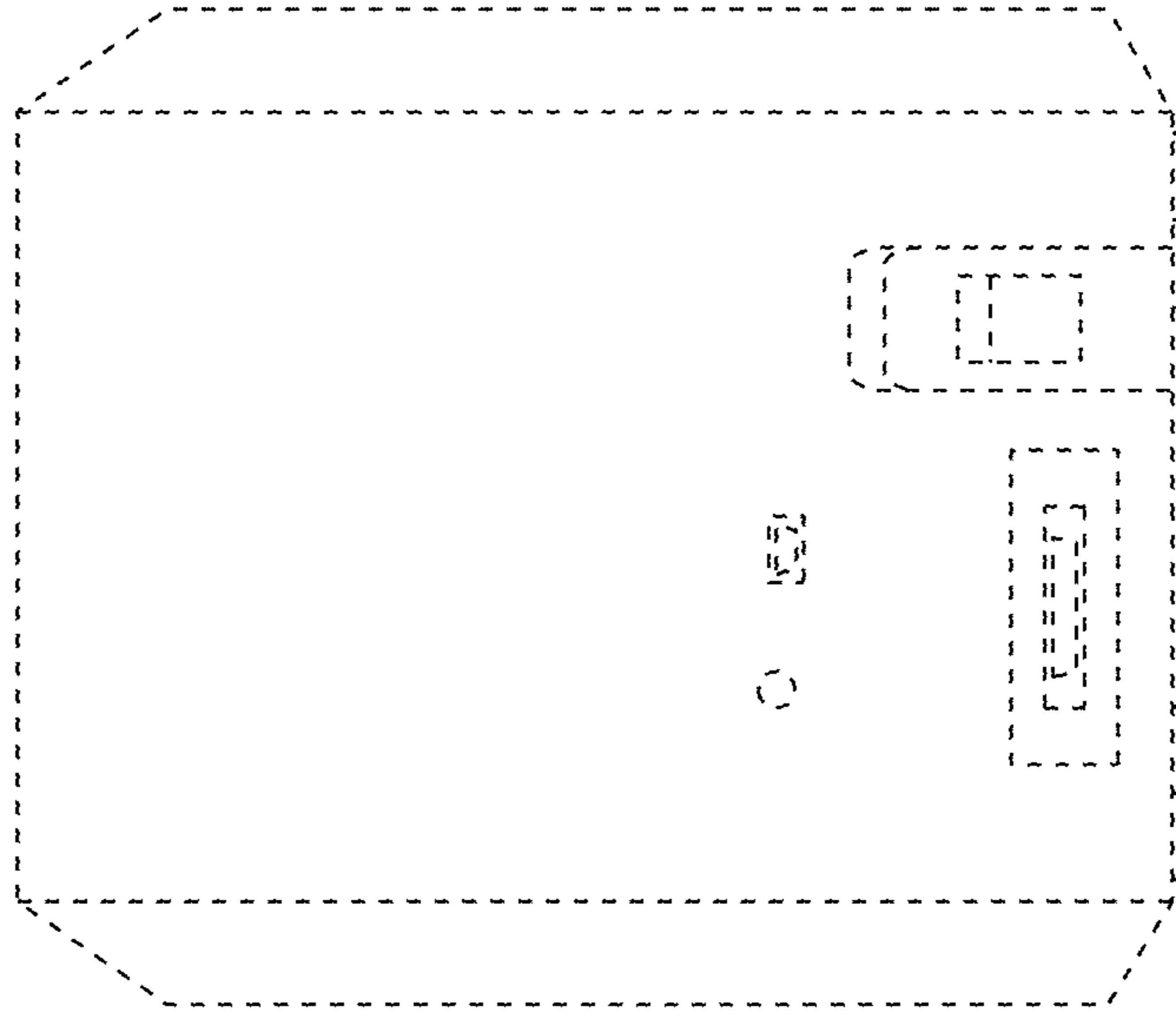


Fig. 2

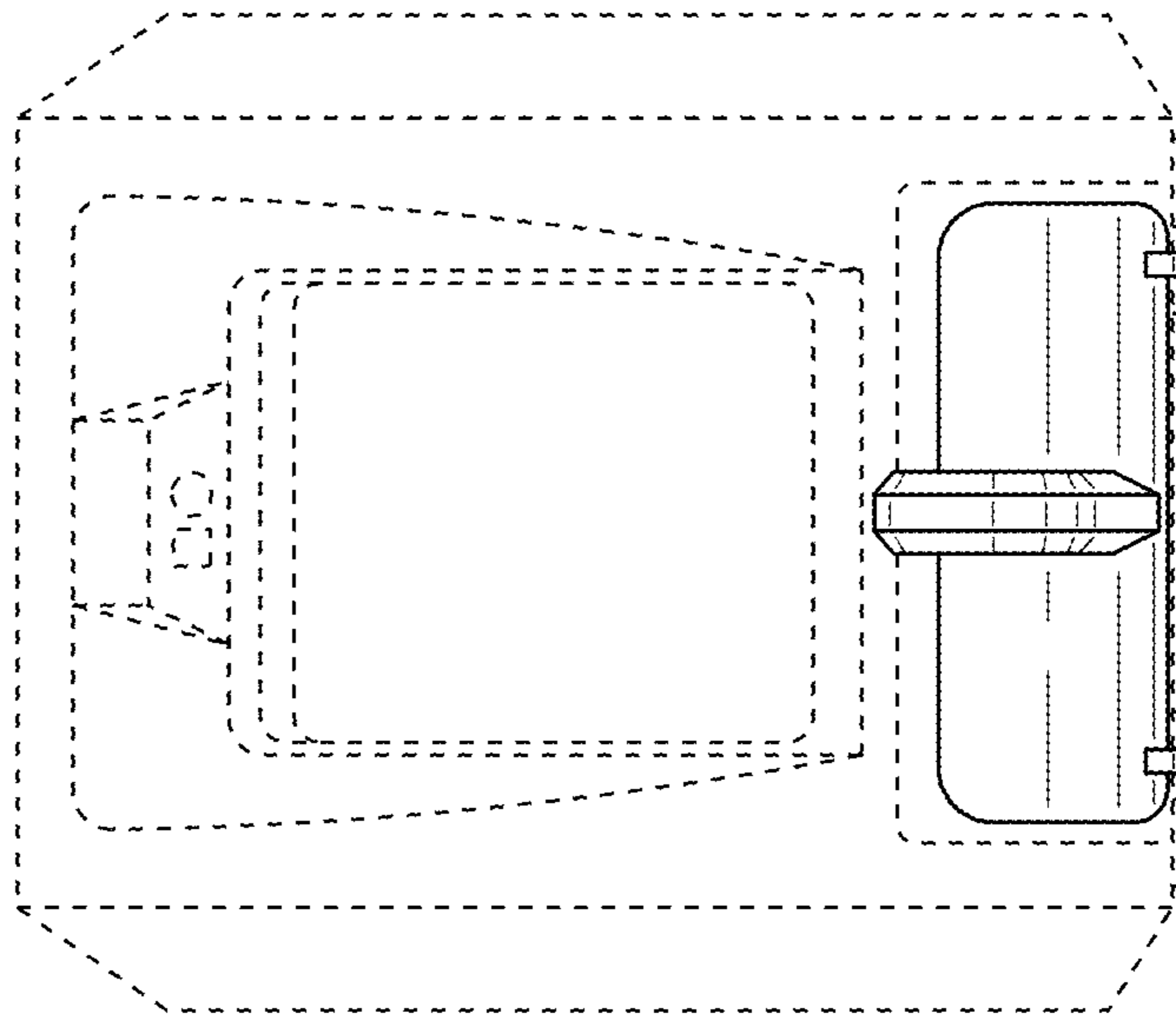


Fig. 5

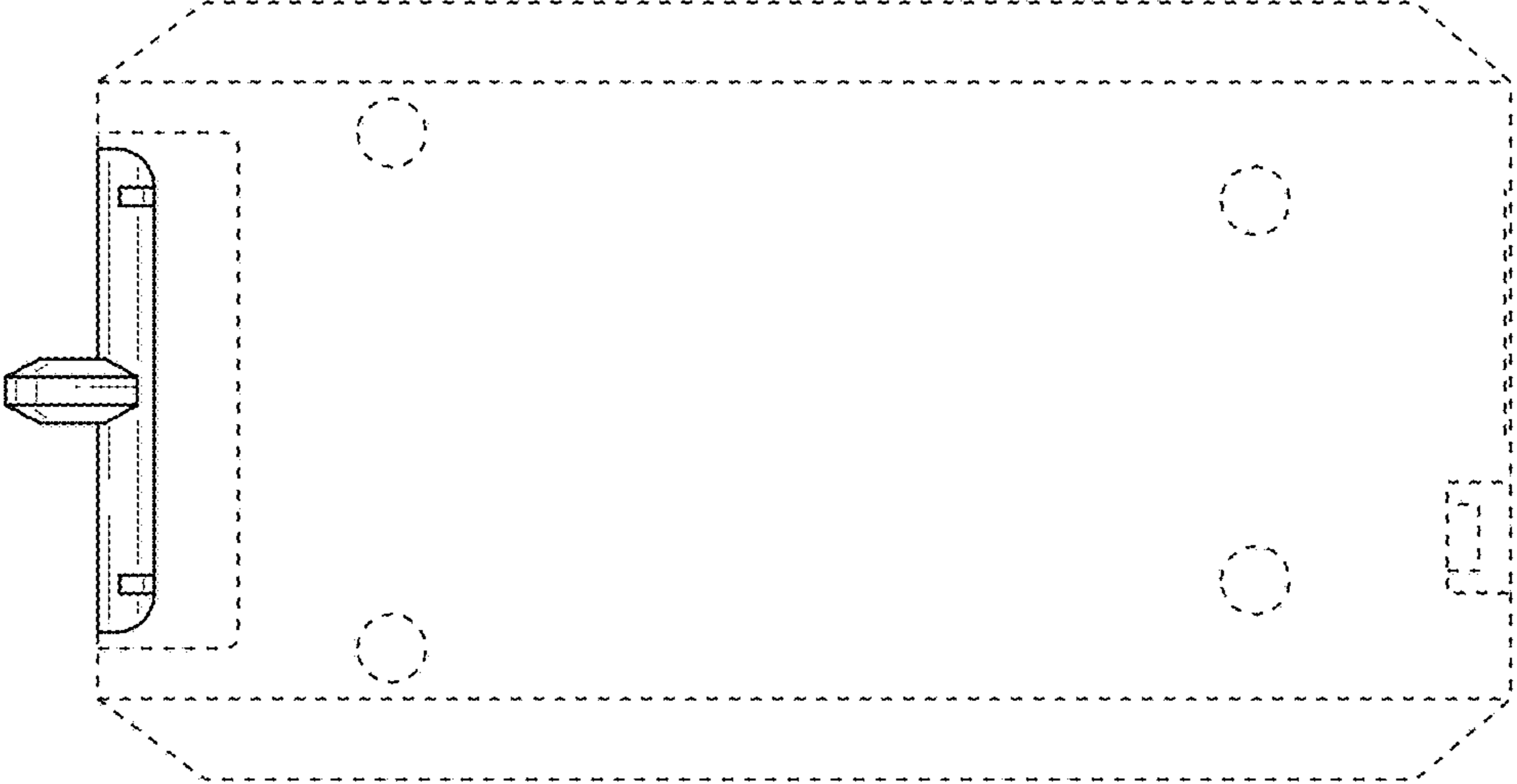


Fig. 4

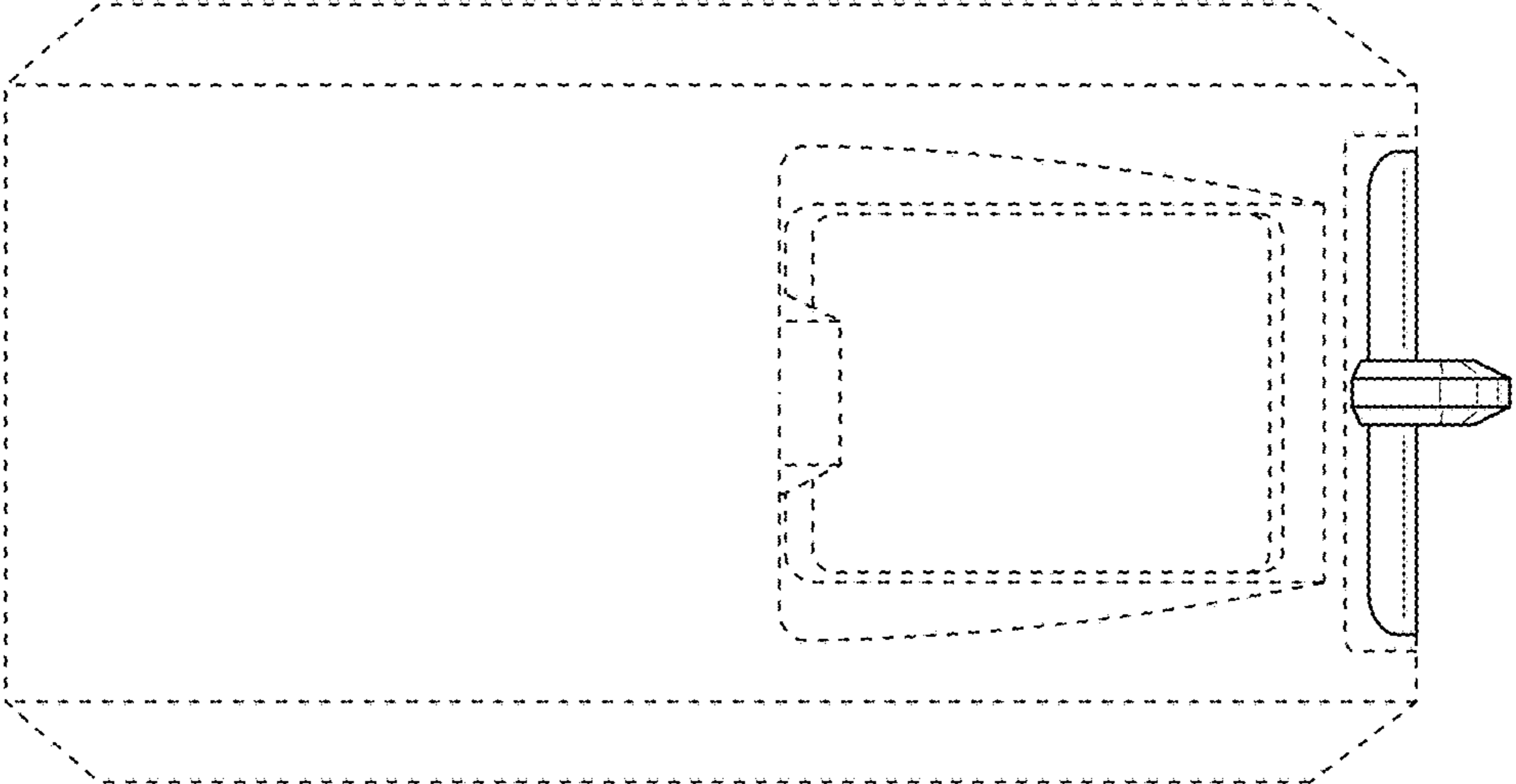


Fig. 6

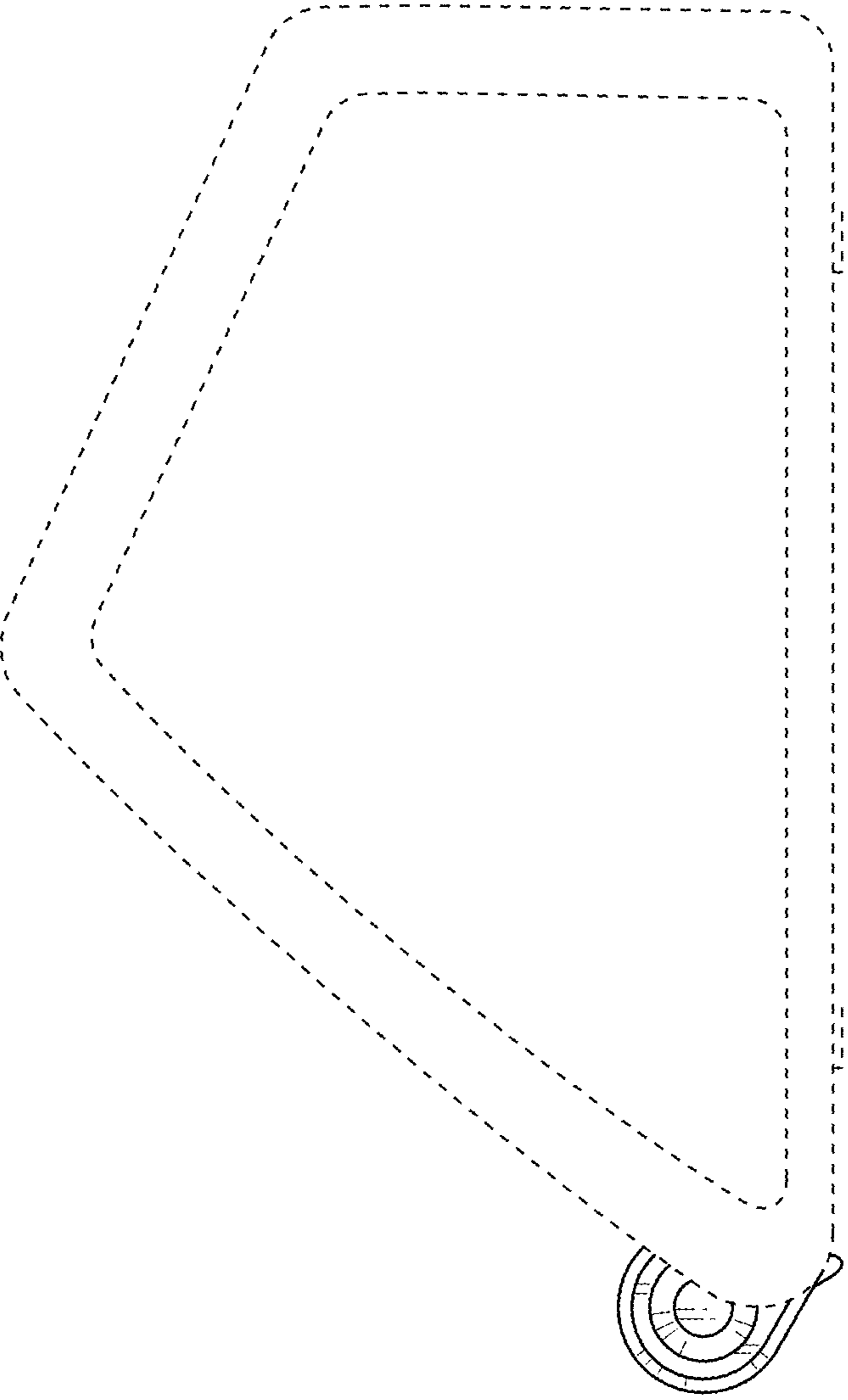


Fig. 7

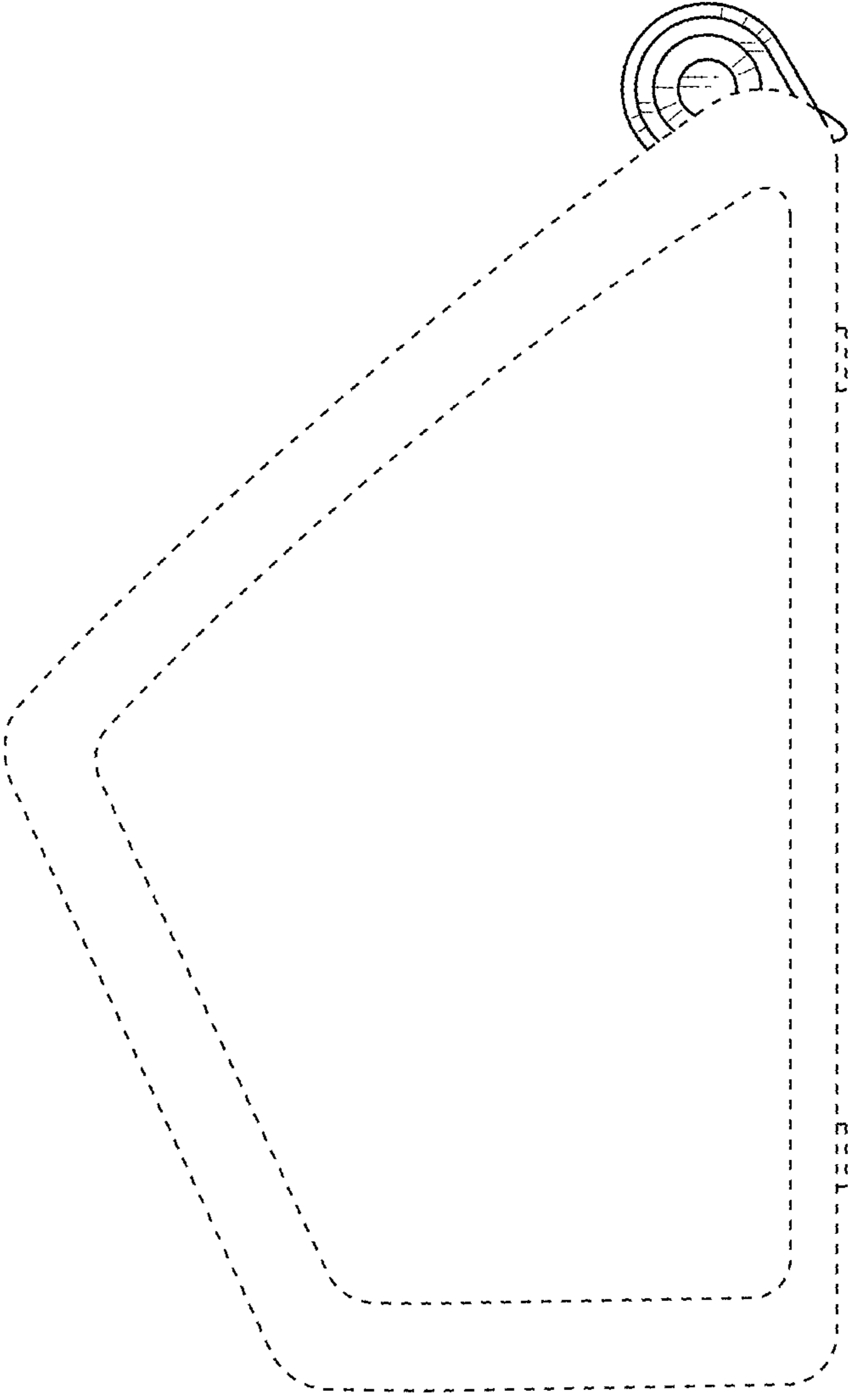


Fig. 8

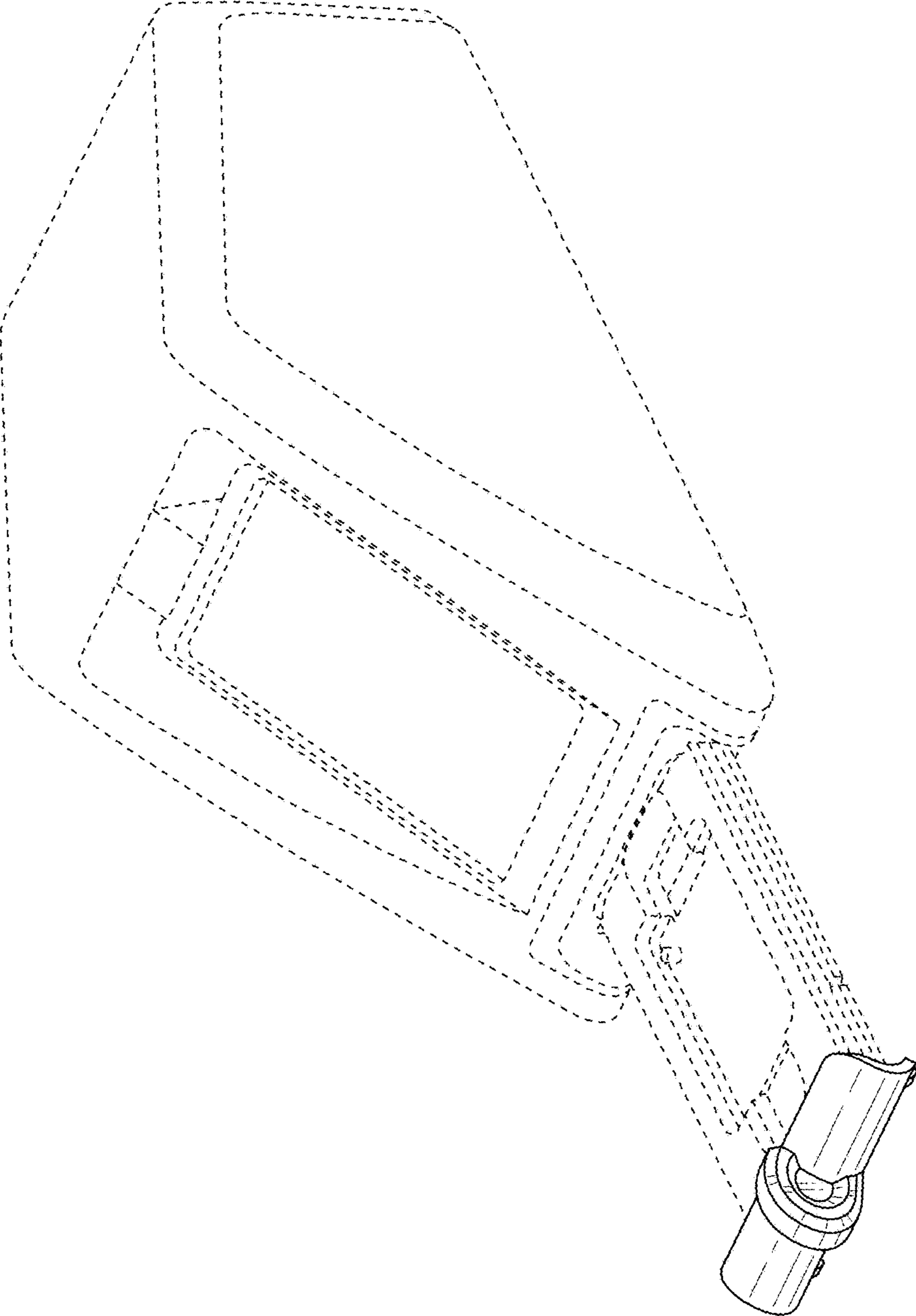


Fig. 9

