



US00D797293S

(12) **United States Design Patent** (10) **Patent No.:** **US D797,293 S**
Bansal et al. (45) **Date of Patent:** **** Sep. 12, 2017**

(54) **EAR CLEANING DEVICE**

(71) Applicant: **Nupur Technologies, LLC**, Buffalo, NY (US)

(72) Inventors: **Rohan Bansal**, Buffalo, NY (US);
Joseph L. Priest, Lewiston, NY (US);
Brij Bansal, Williamsville, NY (US);
Ravinder K. Bansal, Clarence, NY (US)

(73) Assignee: **Nupur Technologies, LLC**, Buffalo, NY (US)

(**) Term: **15 Years**

(21) Appl. No.: **29/557,480**

(22) Filed: **Mar. 9, 2016**

(51) **LOC (10) Cl.** **24-02**

(52) **U.S. Cl.**
USPC **D24/173**

(58) **Field of Classification Search**
USPC D24/108, 112, 133, 143, 173, 174, 217;
606/162; 604/39-42
CPC A61M 2210/0662; A61M 3/02; A61M 3/0258; A61M 3/0287; A61M 1/0058
See application file for complete search history.

(56) **References Cited**

U.S. PATENT DOCUMENTS

- 5,170,779 A * 12/1992 Ginsberg A61M 3/02
601/161
5,527,275 A * 6/1996 Ginsberg A61M 3/02
601/155
5,662,605 A * 9/1997 Hurwitz A61M 3/0258
604/118
D462,437 S * 9/2002 Epstein D24/108
6,485,451 B1 * 11/2002 Roberts A61M 1/0058
236/101 C
8,328,830 B1 * 12/2012 Pandit A61M 3/0262
604/41
D749,716 S * 2/2016 Holmgren D24/108

- 2010/0137814 A1* 6/2010 Chew A61M 3/0279
604/257
2013/0123701 A1* 5/2013 Hernandez Chafes
..... A61M 3/0262
604/135
2016/0279321 A1* 9/2016 Bansal A61M 3/0233

OTHER PUBLICATIONS

“Nupur Technologies: Earigator” <<https://web.archive.org/web/20150426194438/http://nupurtech.com:80/index.htm>> Apr. 26, 2015.*

* cited by examiner

Primary Examiner — Thomas Johannes

Assistant Examiner — Samantha Q Lawrence

(74) *Attorney, Agent, or Firm* — Bond, Schoeneck & King, PLLC

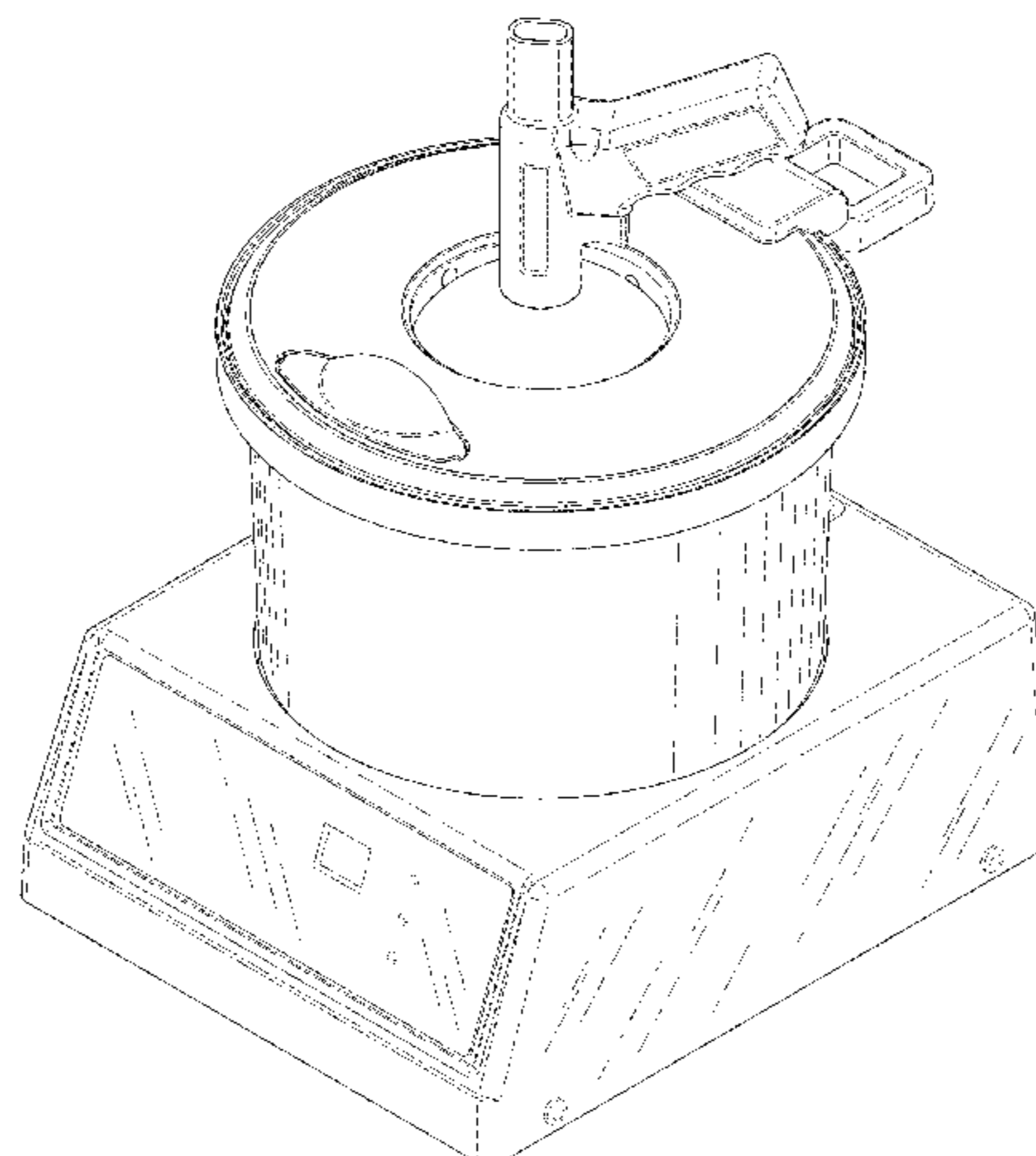
(57) **CLAIM**

The ornamental design for an ear cleaning device, as shown and described.

DESCRIPTION

FIG. 1 is a front, top, and left side perspective view of an ear cleaning device of the present disclosure;
 FIG. 2 is a right side elevation view of the ear cleaning device of the present disclosure;
 FIG. 3 is a left side elevation view of the ear cleaning device of the present disclosure;
 FIG. 4 is a front elevation view of the ear cleaning device of the present disclosure;
 FIG. 5 is a rear elevation view of the ear cleaning device of the present disclosure;
 FIG. 6 is a top view of the ear cleaning device of the present disclosure; and,
 FIG. 7 is a bottom view of the ear cleaning device of the present disclosure.
 The broken lines shown in FIGS. 1-7 illustrate portions of the ear cleaning device that form no part of the claimed design.

1 Claim, 7 Drawing Sheets



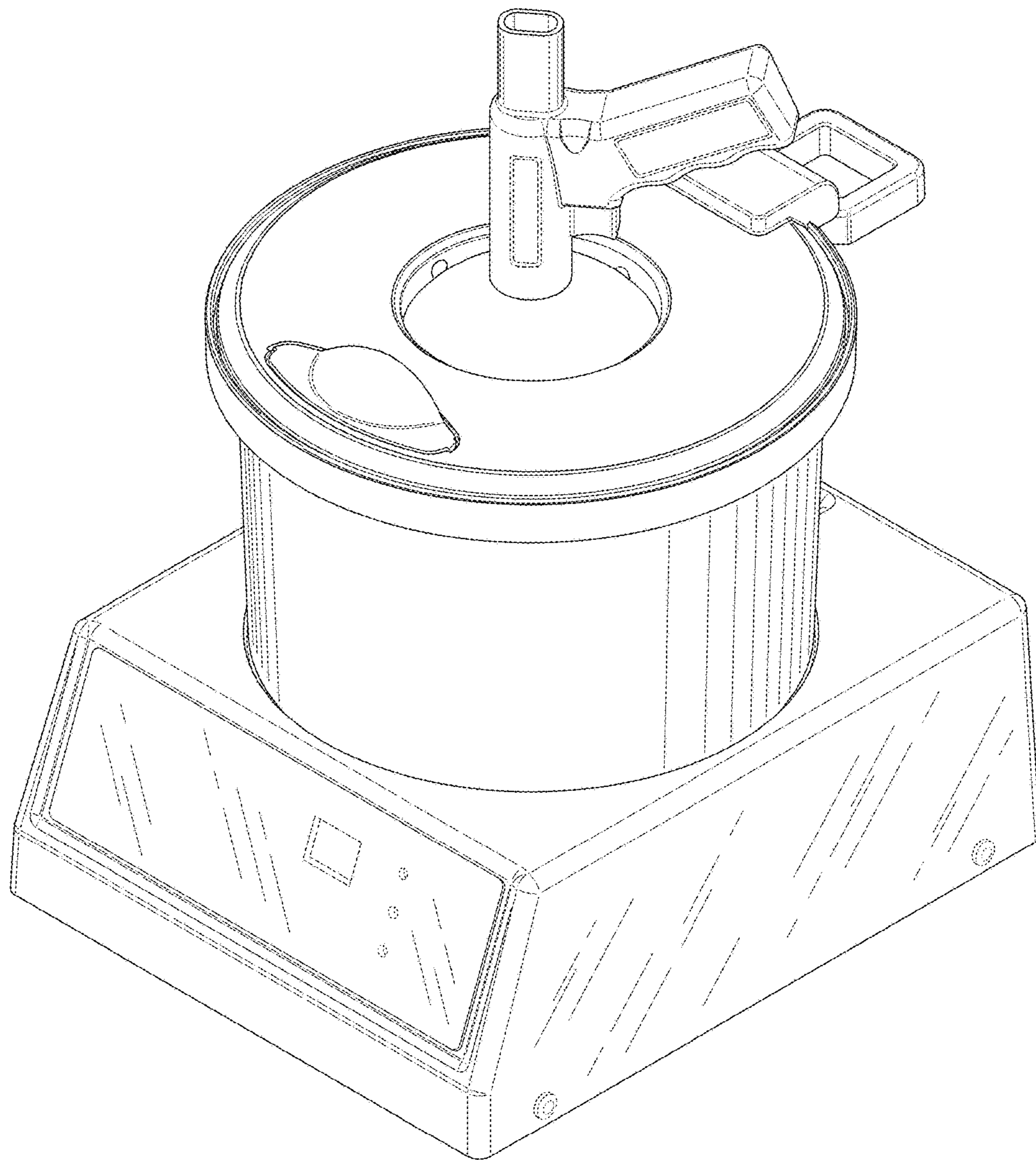


Fig. 1

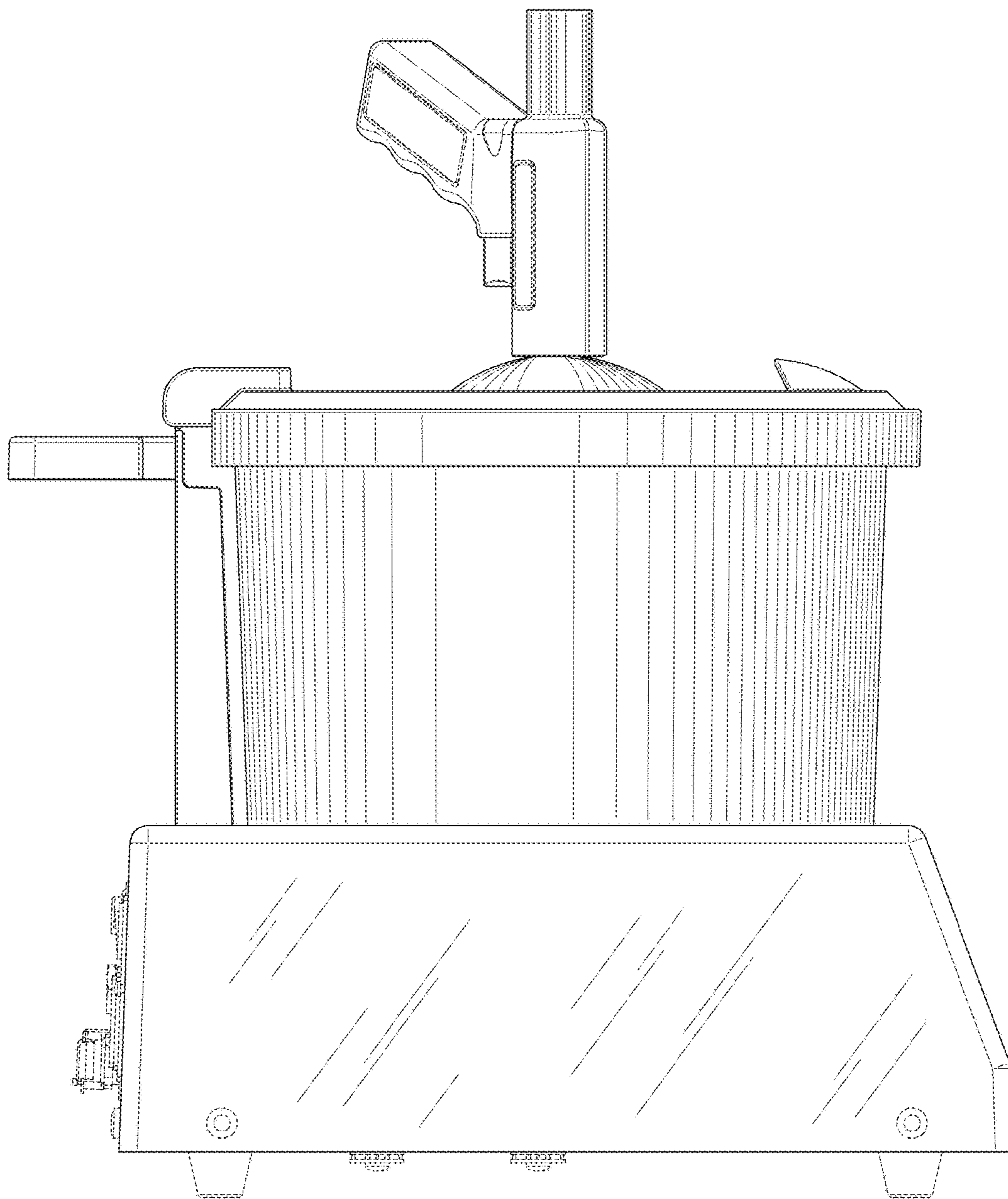


Fig. 2

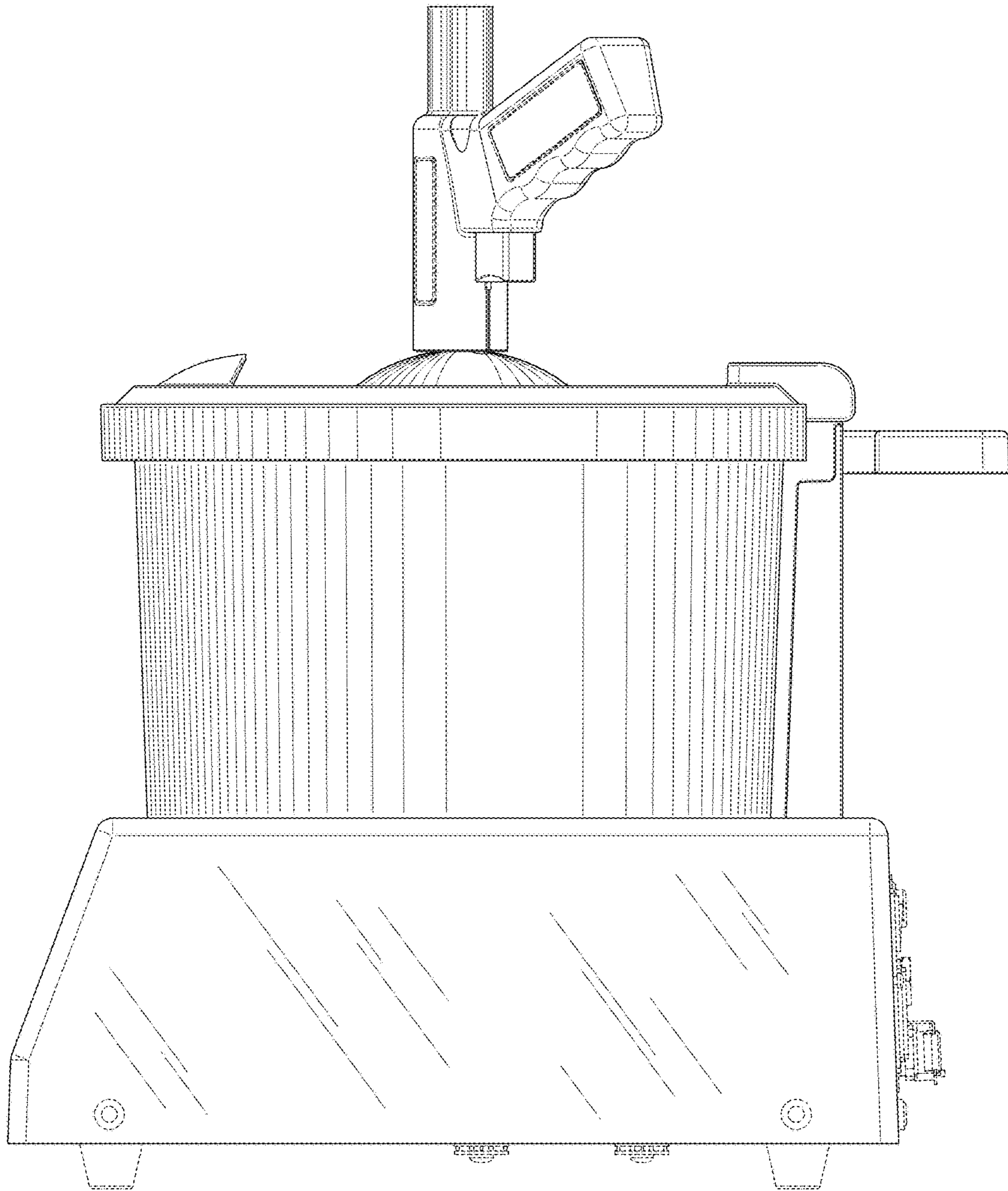


Fig. 3

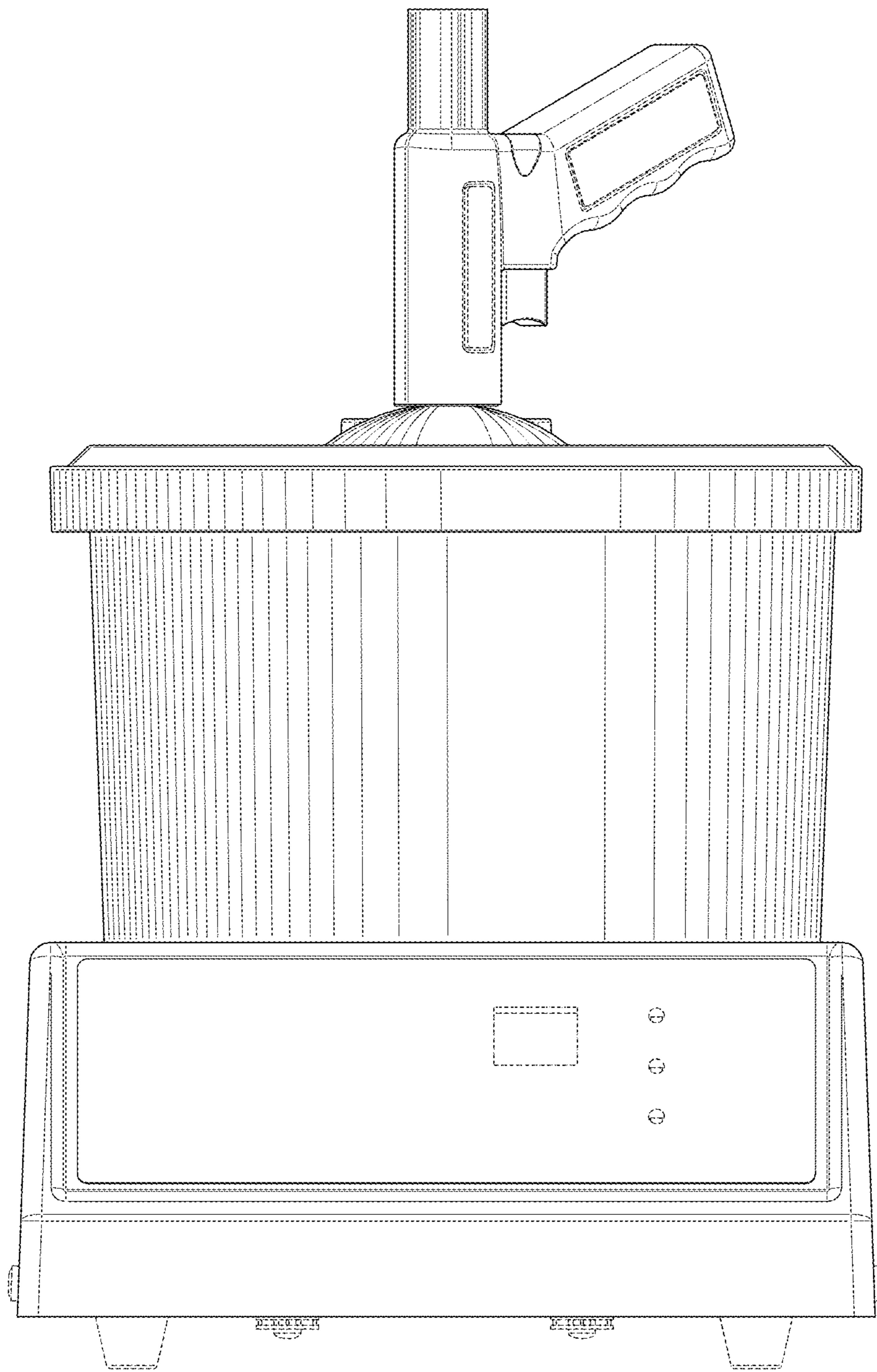


Fig. 4

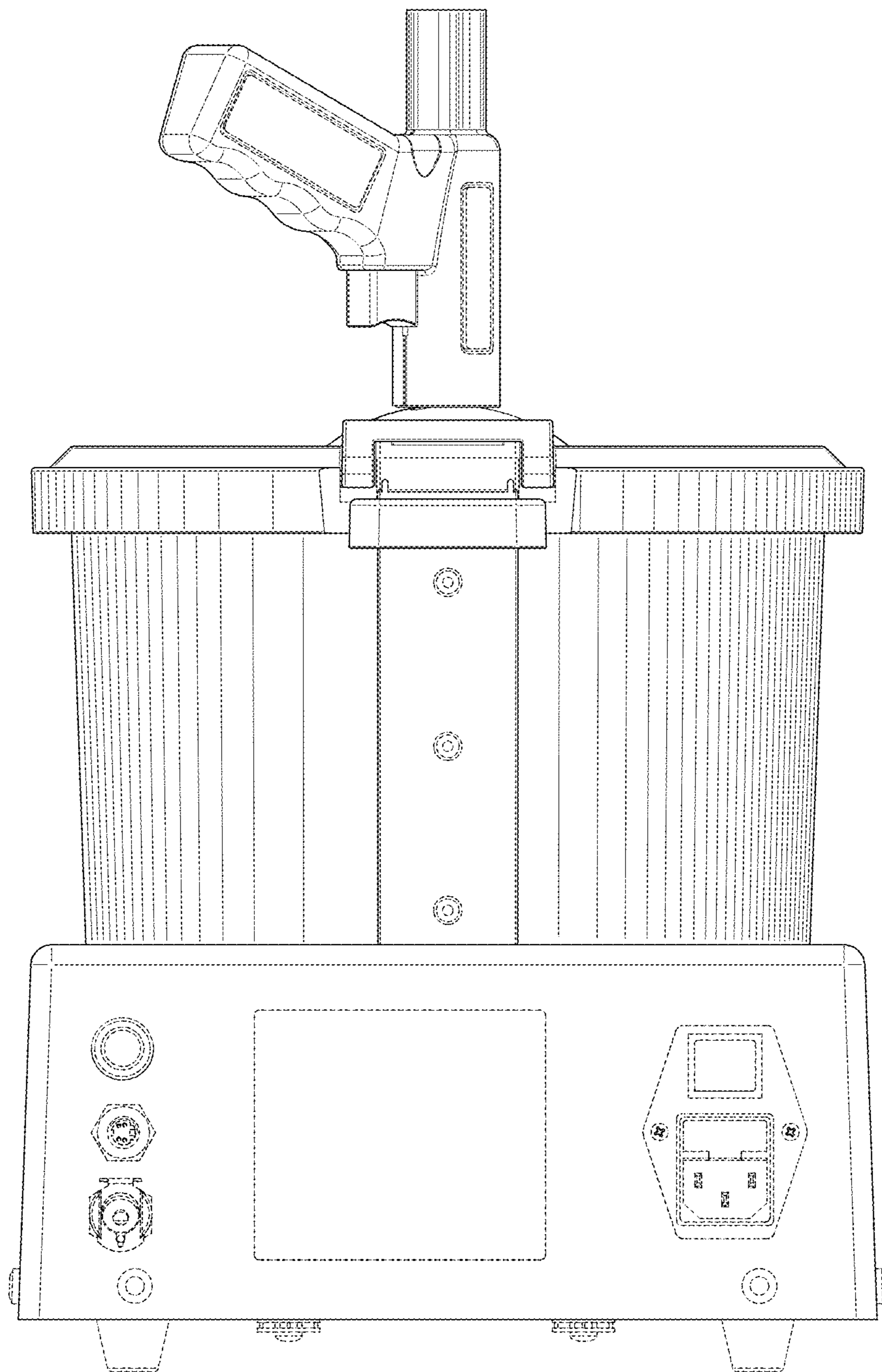


Fig. 5

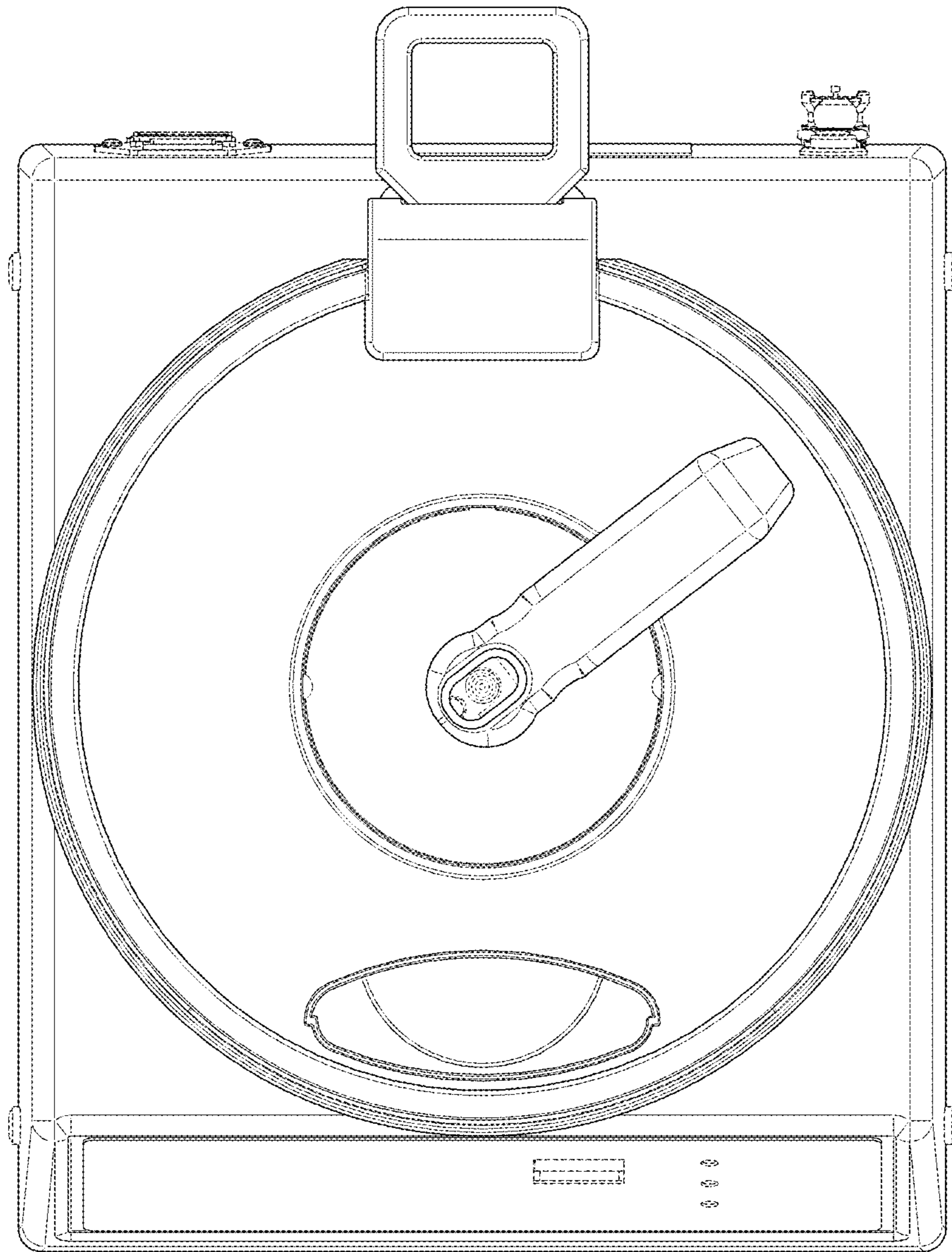


Fig. 6

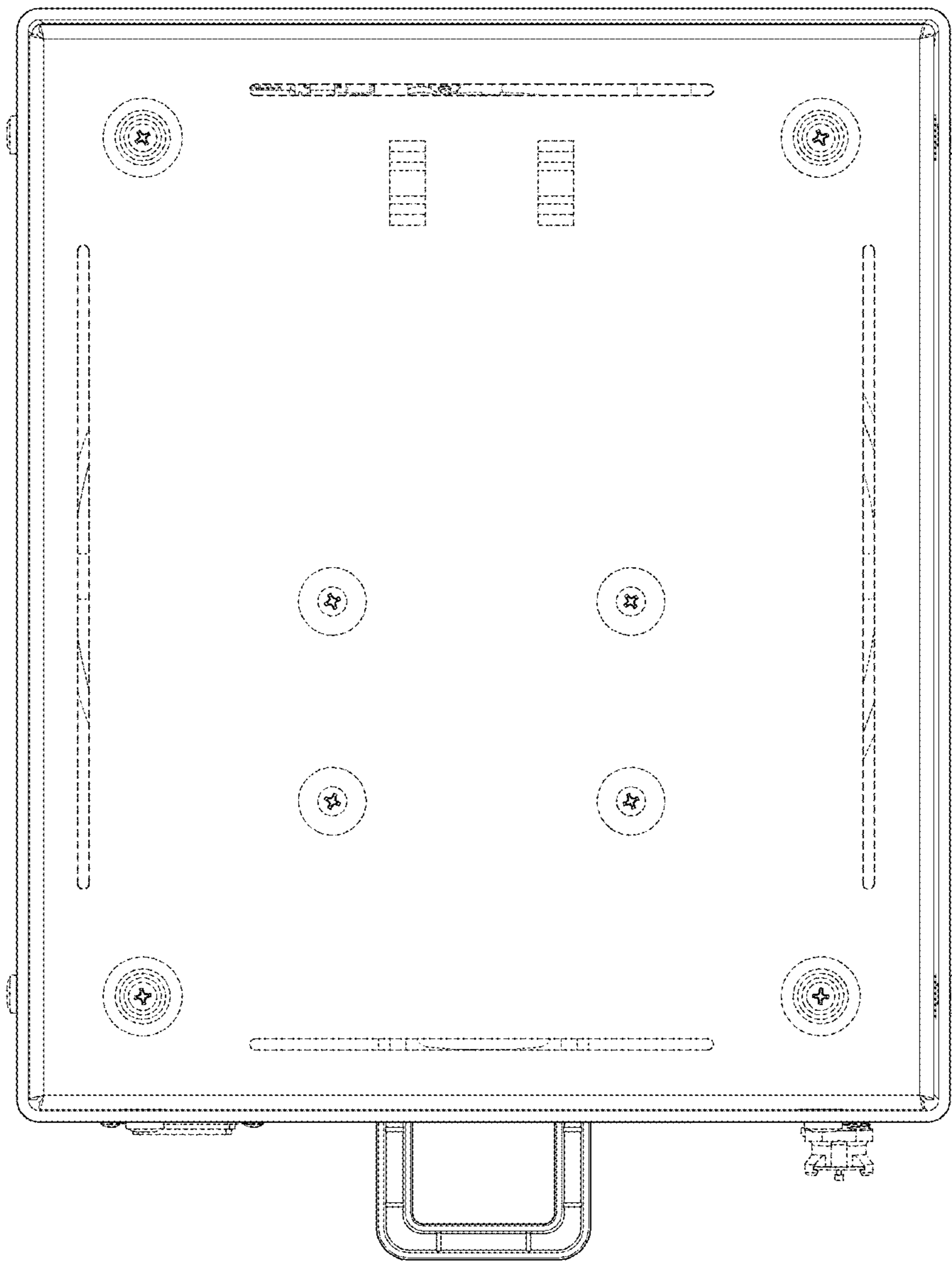


Fig. 7