



US00D797288S

(12) **United States Design Patent** (10) **Patent No.:** **US D797,288 S**
Zhou et al. (45) **Date of Patent:** **** Sep. 12, 2017**

(54) **TROCAR**
(71) Applicant: **Guangzhou T.K Medical Instrument Co., Ltd.**, Guangzhou (CN)
(72) Inventors: **Xing Zhou**, Guangzhou (CN); **Shaoming Zhu**, Guangzhou (CN); **Jiajiang Wei**, Guangzhou (CN); **Huaping Xu**, Guangzhou (CN); **Lifei Luo**, Guangzhou (CN)
(73) Assignee: **GUANGZHOU T.K MEDICAL INSTRUMENT CO., LTD.**, Guangzhou (CN)

D700,326 S * 2/2014 Minelli D24/146
D713,033 S * 9/2014 Sauer D24/146
D753,303 S * 4/2016 Dannaher D24/146
2004/0230161 A1 * 11/2004 Zeiner A61B 17/34
604/167.06
2005/0070946 A1 * 3/2005 Franer A61B 17/3498
606/185
2006/0264992 A1 * 11/2006 Franer A61B 17/3462
606/167
2007/0066988 A1 * 3/2007 Datta A61B 17/3417
606/185
2007/0185453 A1 * 8/2007 Michael A61B 17/3462
604/164.01

(Continued)

(**) Term: **15 Years**

(21) Appl. No.: **29/550,322**

(22) Filed: **Dec. 31, 2015**

(30) **Foreign Application Priority Data**

Jul. 3, 2015 (CN) 2015 3 0233903
Jul. 3, 2015 (CN) 2015 3 0233909

(51) **LOC (10) Cl.** **24-02**

(52) **U.S. Cl.**
USPC **D24/146**

(58) **Field of Classification Search**
USPC D7/649; D8/93, 97, 300, 310, 311, 313;
D19/110, 115; D24/146, 147, 148
See application file for complete search history.

(56) **References Cited**

U.S. PATENT DOCUMENTS

D541,417 S * 4/2007 Albrecht D24/146
D542,918 S * 5/2007 Albrecht D24/146
8,206,411 B2 * 6/2012 Thompson A61B 17/3462
600/184

OTHER PUBLICATIONS

Guangzhou, Office Action, JP 2015028162, Apr. 4, 2016, 3 pgs.

(Continued)

Primary Examiner — Thomas Johannes
Assistant Examiner — Samantha Q Lawrence
(74) *Attorney, Agent, or Firm* — Morgan, Lewis & Bockius LLP

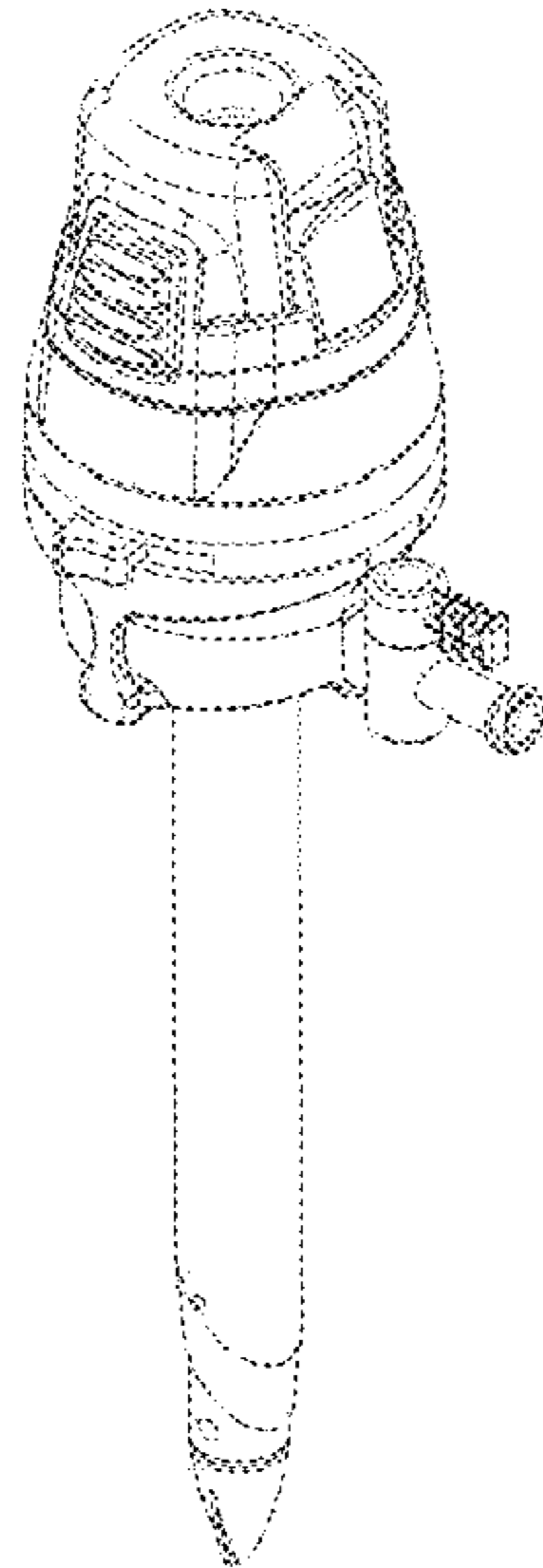
(57) **CLAIM**

The ornamental design for a trocar, as shown and described.

DESCRIPTION

FIG. 1 is a perspective view of a trocar;
FIG. 2 is a first side view of the design of FIG. 1;
FIG. 3 is a second side view of the design of FIG. 1;
FIG. 4 is a third side view of the design of FIG. 1;
FIG. 5 is a fourth side view of the design of FIG. 1;
FIG. 6 is a top view of the design of FIG. 1; and
FIG. 7 is a bottom view of the design of FIG. 1.
The broken lines shown in the drawings represent portions of the trocar that form no part of the claimed design.

1 Claim, 6 Drawing Sheets



(56)

References Cited

U.S. PATENT DOCUMENTS

2007/0260273 A1* 11/2007 Cropper A61B 1/00087
606/185
2008/0228214 A1* 9/2008 Hoan A61B 17/34
606/185
2010/0016878 A1* 1/2010 Smith A61B 17/3417
606/185
2013/0237902 A1* 9/2013 McGinley A61B 17/3462
604/26
2013/0338694 A1* 12/2013 Fischvogt A61B 17/3494
606/185

OTHER PUBLICATIONS

Guangzhou, Office Action, CA 166189, May 11, 2016, 1 pg.
Guangzhou, Certificate of Grant, HK1502637.0, Apr. 8, 2016, 12
pg.
Guangzhou, Notice of Allowance, TW104307030, Jul. 11, 2016, 3
pgs.
Guangzhou, Certificate of Registration, KR30-2015-0066540, Nov.
2, 2016, 11 pgs.
Guangzhou, Certificate of Registration, CA166189, Nov. 16, 2016,
1 pg.
Guangzhou, Patent Certificate, TW104307030 Dec. 11, 2016, 2 pgs.

* cited by examiner

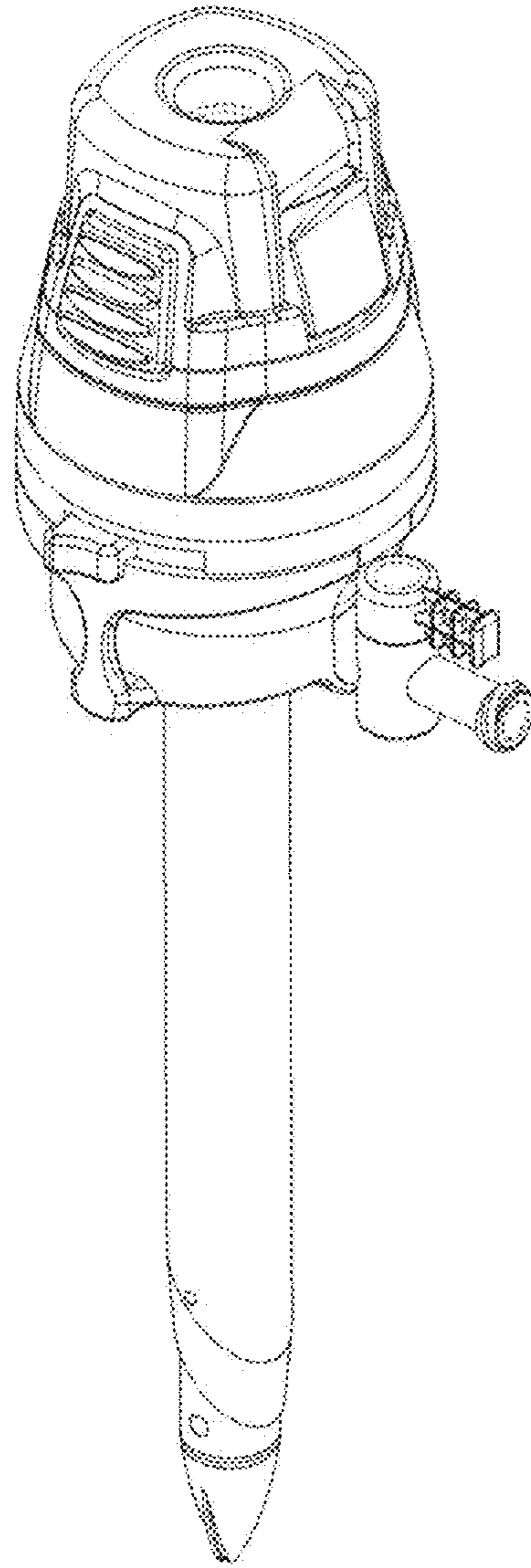


FIG. 1

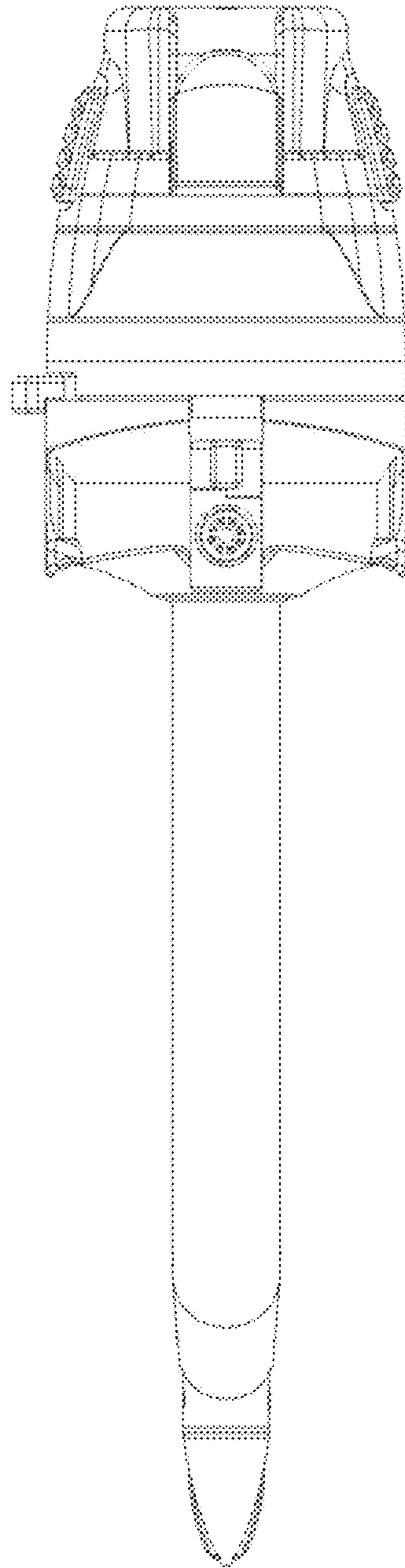


FIG. 2

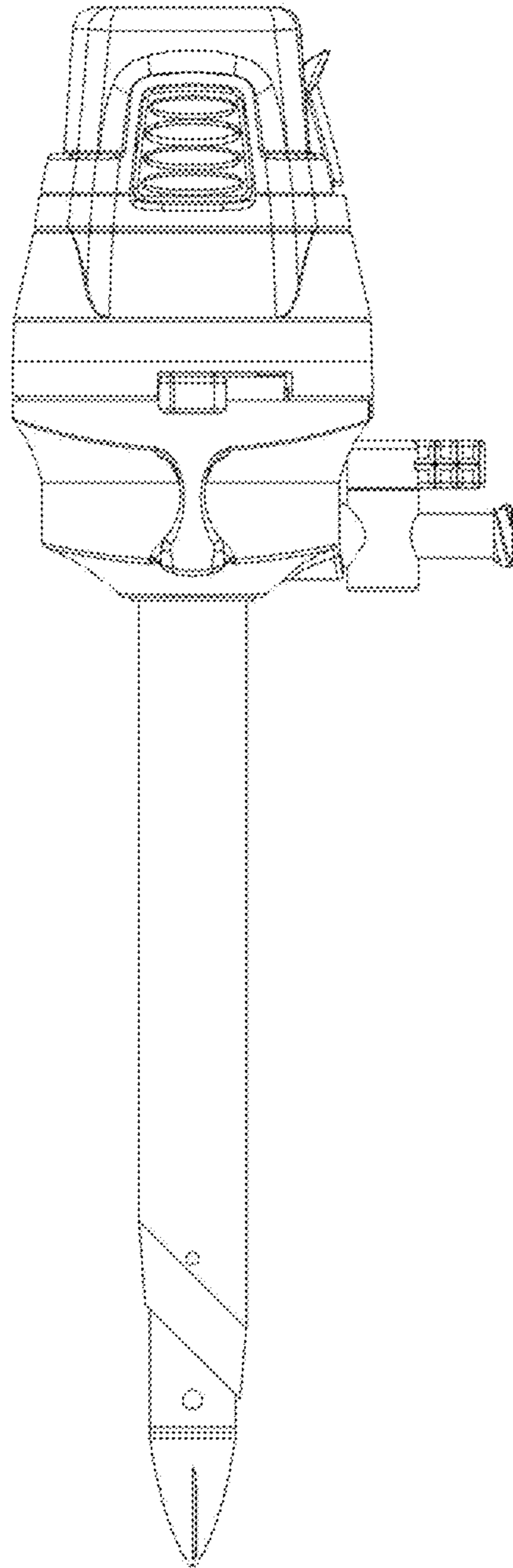


FIG. 3

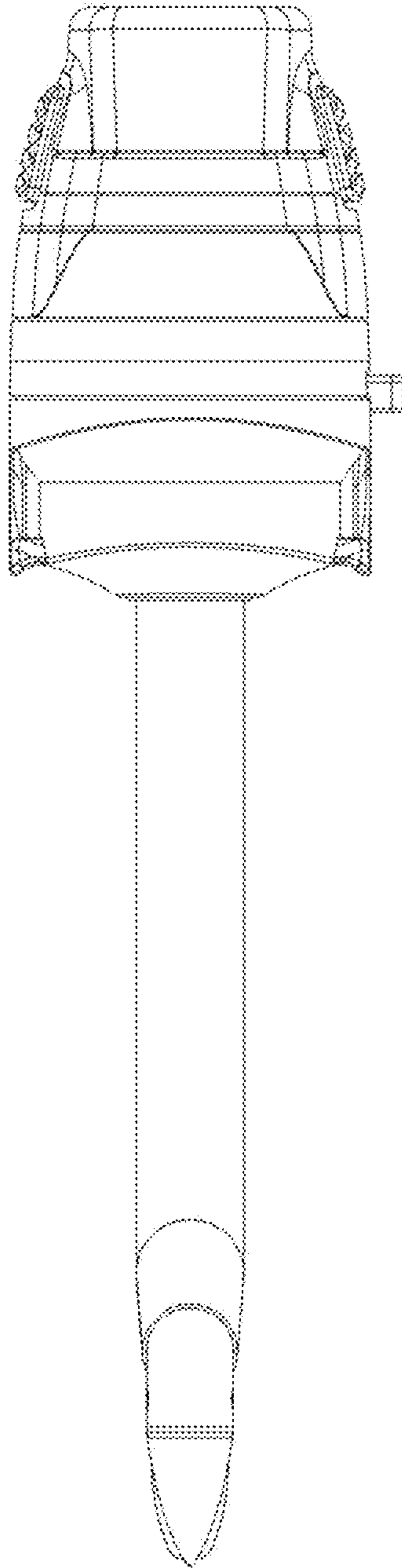


FIG. 4

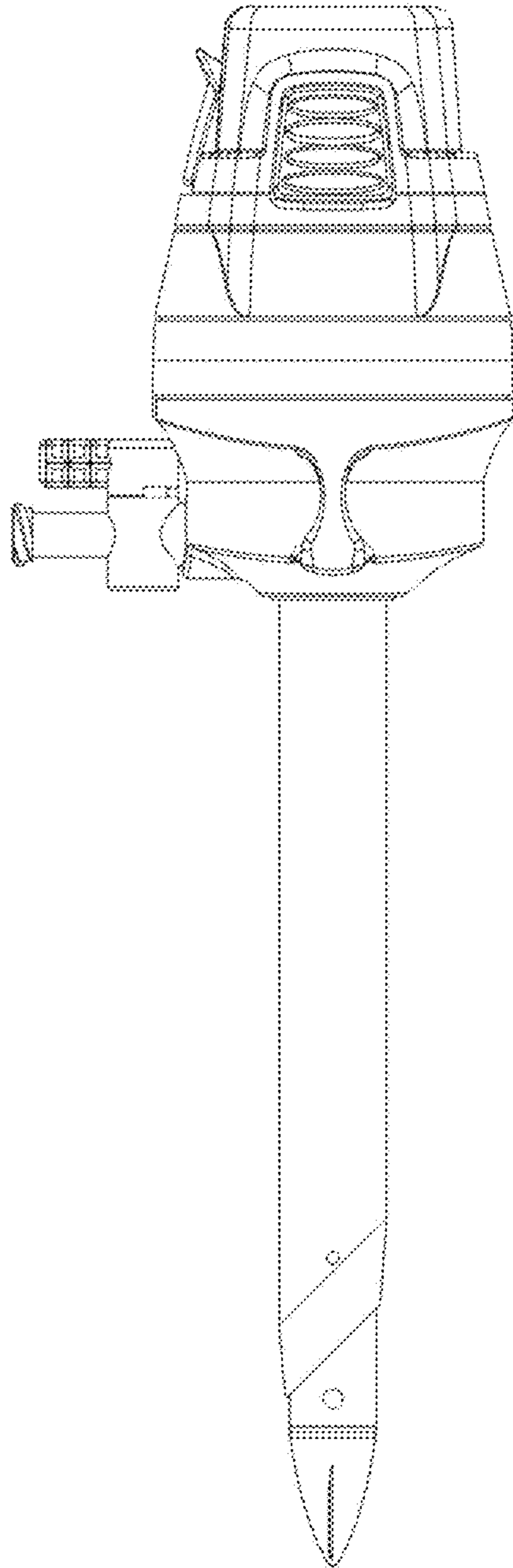


FIG. 5

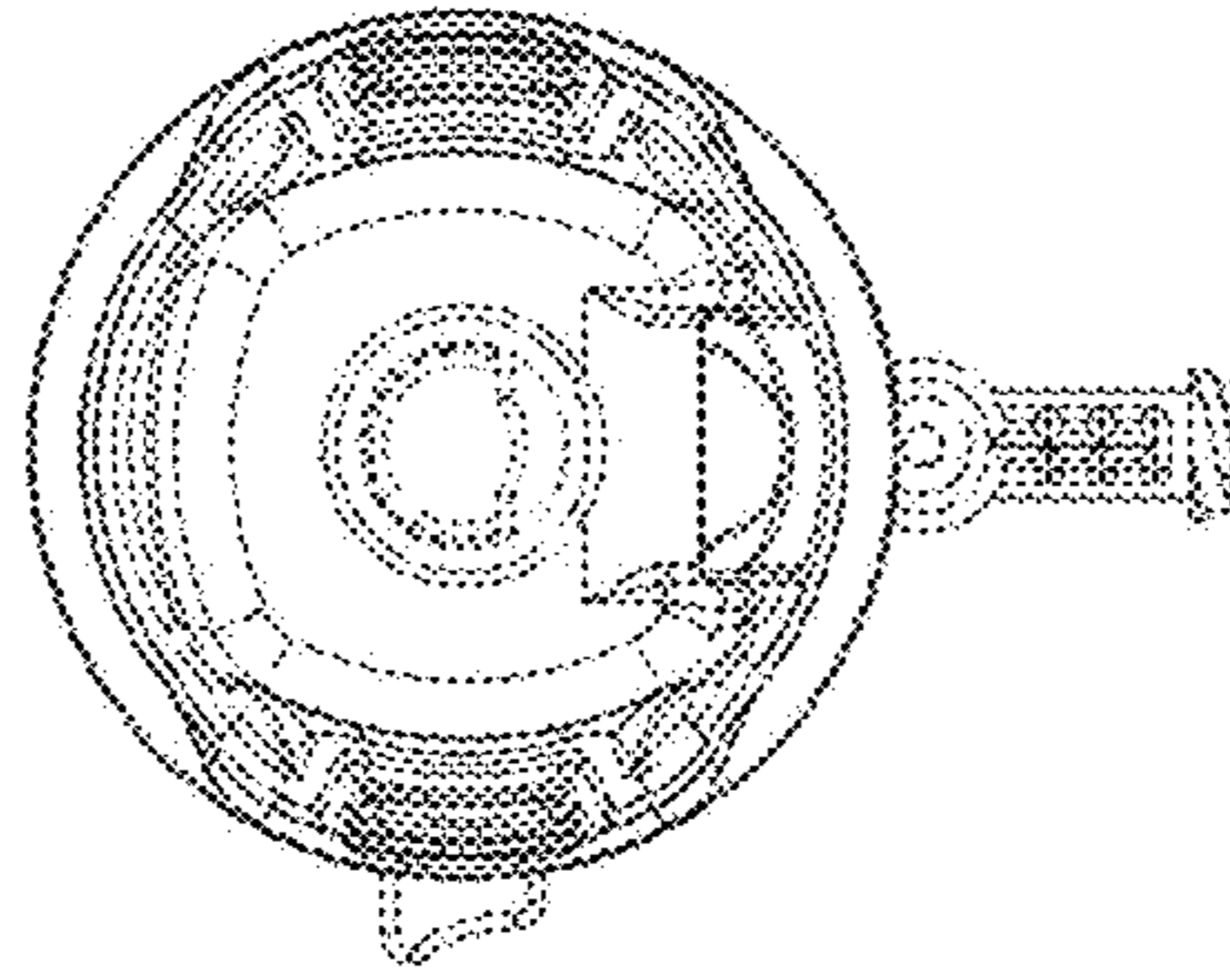


FIG. 6

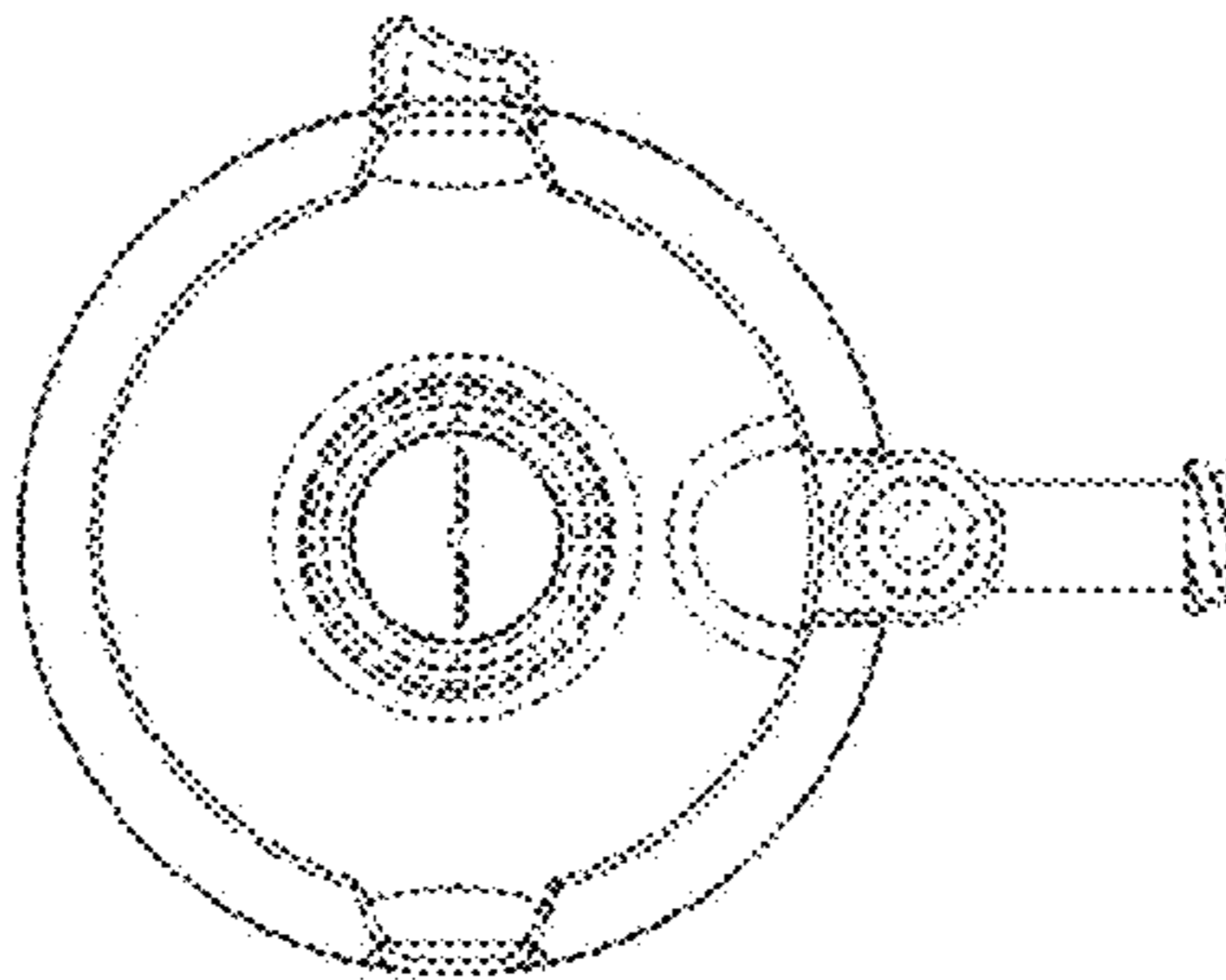


FIG. 7