



US00D797285S

(12) **United States Design Patent**  
**Martin et al.**

(10) **Patent No.:** **US D797,285 S**  
(45) **Date of Patent:** **\*\* Sep. 12, 2017**

- (54) **SUTURE CARTRIDGE** 7,041,111 B2 \* 5/2006 Chu ..... A61B 17/0469  
606/144
- (71) Applicant: **Ethicon Endo-Surgery, LLC,** 8,123,764 B2 \* 2/2012 Meade ..... A61B 17/0469  
Guaynabo, PR (US) 606/139
- (72) Inventors: **David T. Martin,** Milford, OH (US); 9,125,645 B1 \* 9/2015 Martin ..... A61B 17/0469  
**William J. White,** West Chester, OH 9,173,655 B2 \* 11/2015 Martin ..... A61B 17/0469  
(US) 9,375,212 B2 \* 6/2016 Martin ..... A61B 17/0469  
2014/0171977 A1 \* 6/2014 Martin ..... A61B 17/0469  
606/145
- (73) Assignee: **ETHICON LLC,** Guaynabo, PR (US) 2015/0133967 A1 \* 5/2015 Martin ..... A61B 17/0469  
606/144

(\*\*) Term: **15 Years**

\* cited by examiner

(21) Appl. No.: **29/559,505**

*Primary Examiner* — Wan Laymon

(22) Filed: **Mar. 29, 2016**

**Related U.S. Application Data**

(63) Continuation of application No. 29/515,300, filed on Jan. 21, 2015, now Pat. No. Des. 754,856.

(51) **LOC (10) Cl.** ..... **24-02**

(52) **U.S. Cl.**  
USPC ..... **D24/145**

(58) **Field of Classification Search**  
USPC ..... D24/145; 606/75, 148, 213, 219, 232;  
206/572, 63.3

CPC ..... A61B 17/06114; A61B 17/0625; A61B  
17/04; A61B 17/0401; A61B 2017/0416;  
A61B 2017/0469

See application file for complete search history.

(56) **References Cited**

**U.S. PATENT DOCUMENTS**

- 5,133,723 A \* 7/1992 Li ..... A61B 17/0469  
289/17
- 5,713,910 A \* 2/1998 Gordon ..... A61B 17/0469  
112/169

(57) **CLAIM**

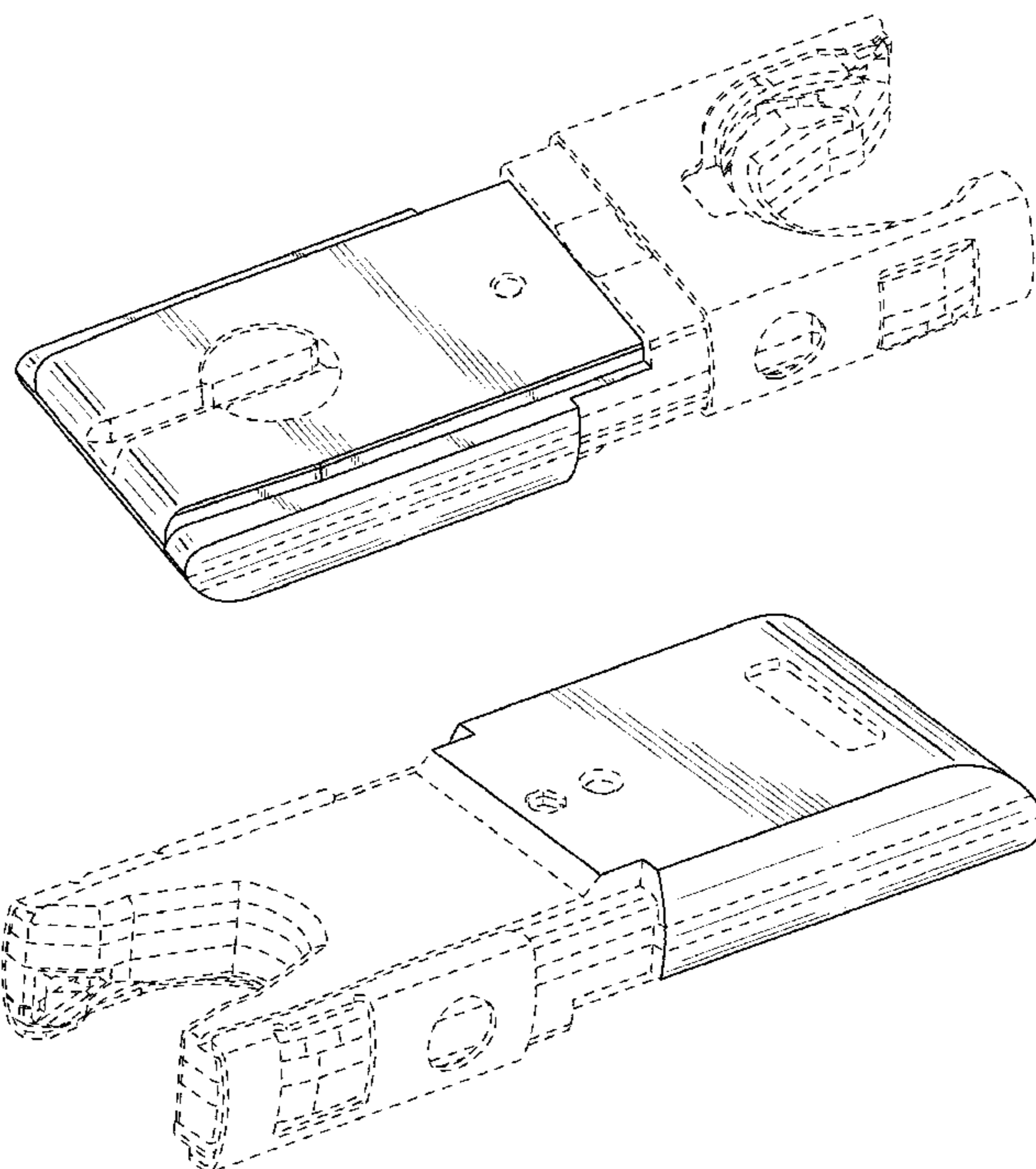
The ornamental design for a suture cartridge, as shown and described.

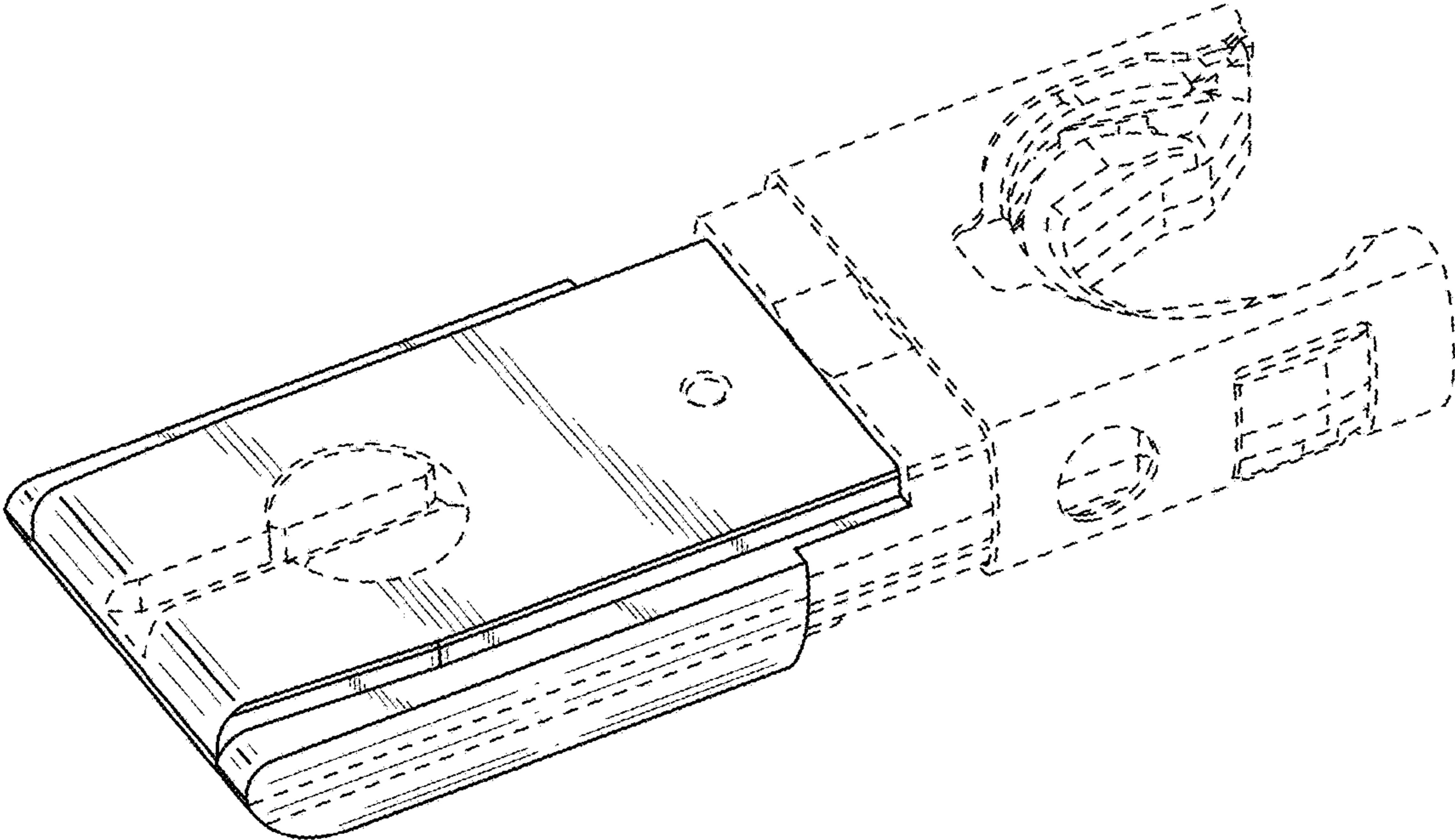
**DESCRIPTION**

FIG. 1 is a top perspective view of a suture cartridge;  
FIG. 2 is a bottom perspective view thereof;  
FIG. 3 is a top plan view thereof;  
FIG. 4 is a right side elevation view thereof;  
FIG. 5 is a bottom plan view thereof;  
FIG. 6 is a left side elevation view thereof;  
FIG. 7 is a front elevation view thereof; and,  
FIG. 8 is an end elevation view thereof.

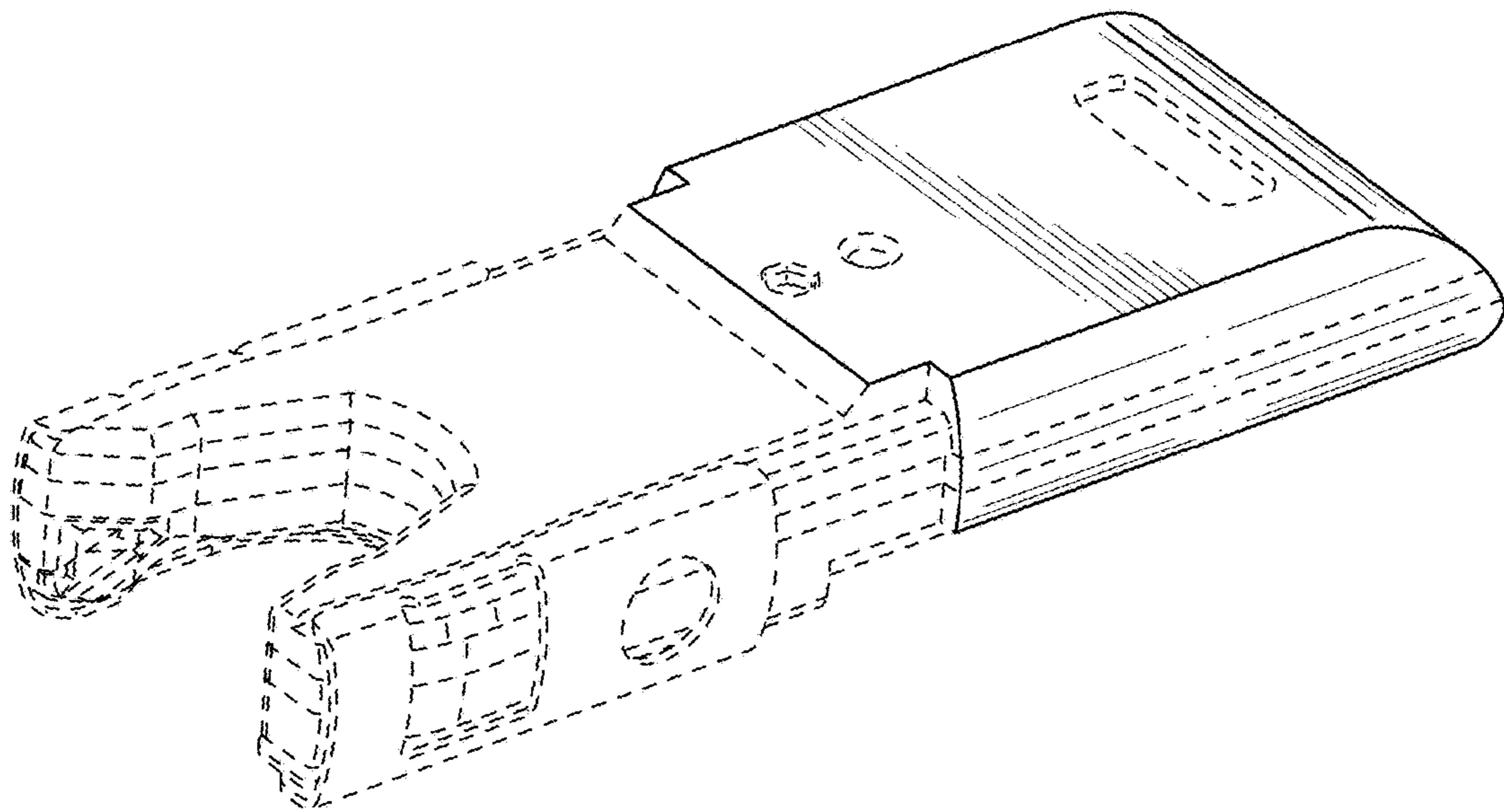
The broken lines shown in the drawings are included for the purpose of illustrating structural environment and form no part of the claimed design.

**1 Claim, 5 Drawing Sheets**

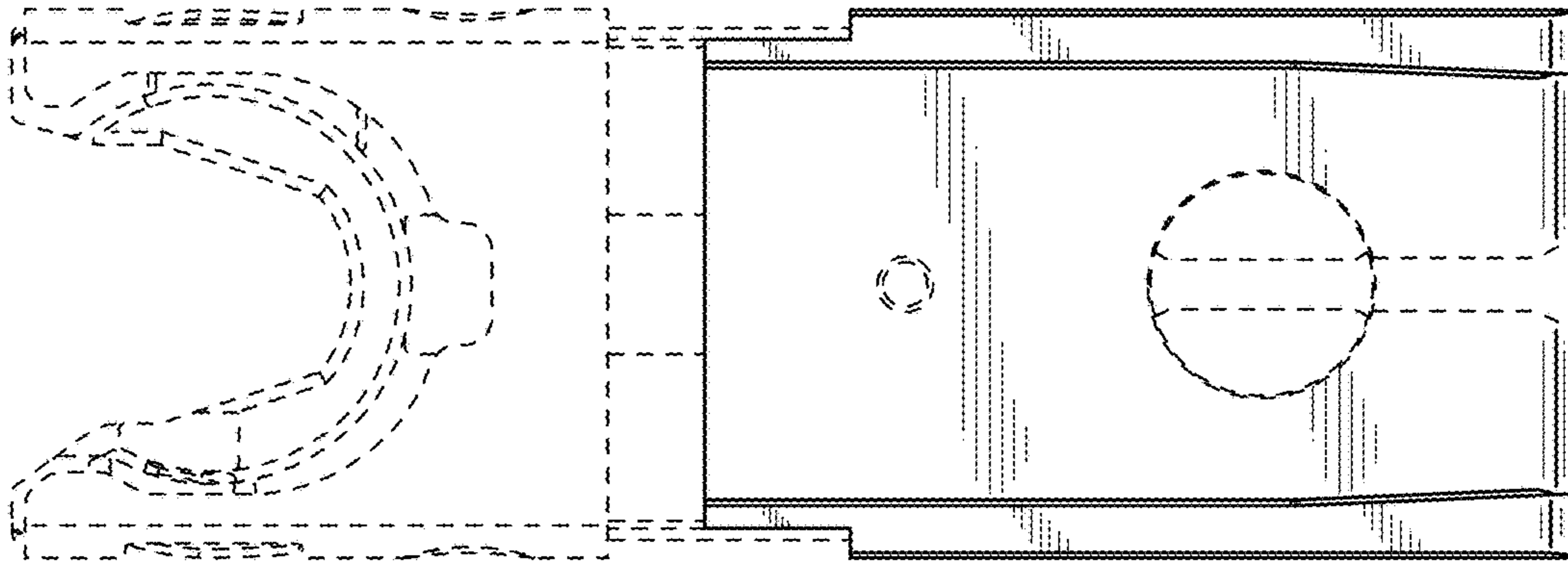




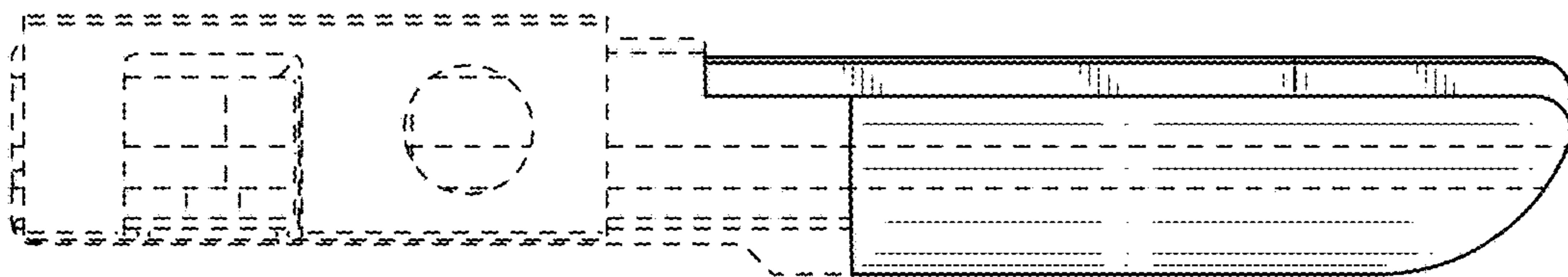
**FIG. 1**



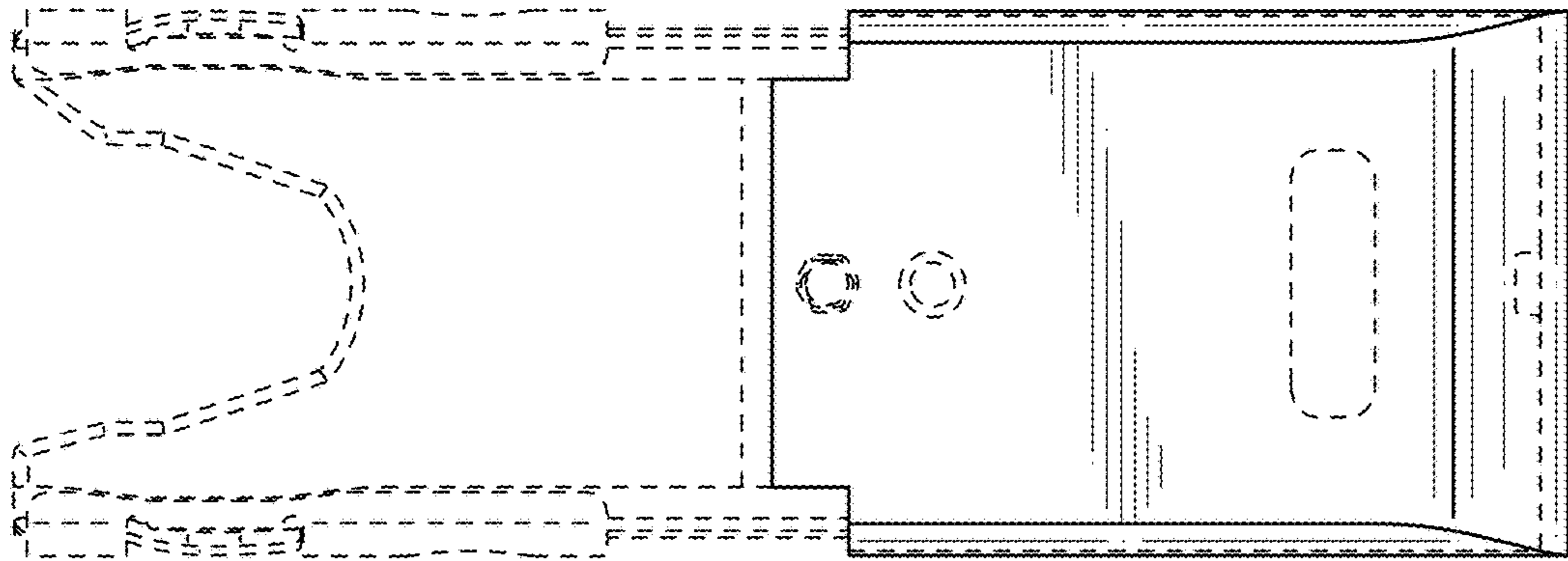
**FIG. 2**



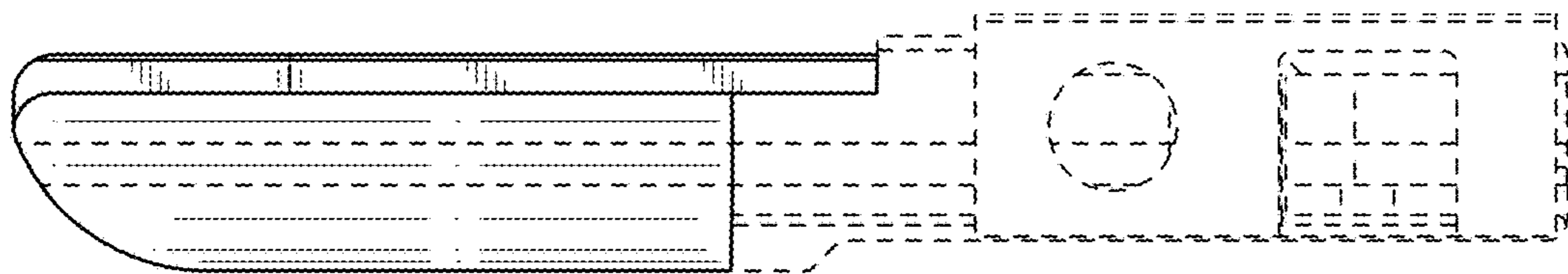
**FIG. 3**



**FIG. 4**

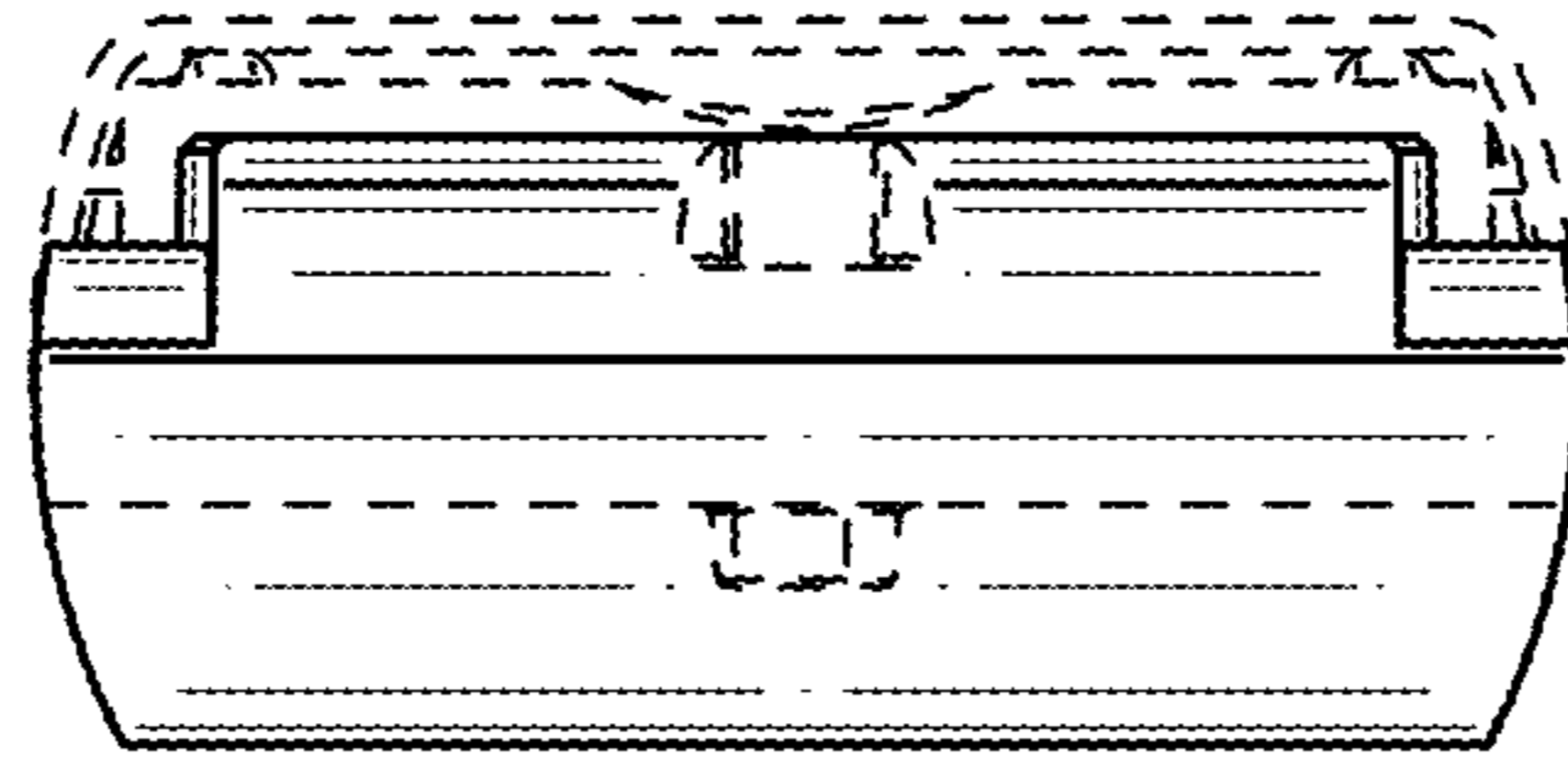


**FIG. 5**



**FIG. 6**





**FIG. 7**



**FIG. 8**