



US00D797283S

(12) **United States Design Patent**
Ogura et al.

(10) **Patent No.:** **US D797,283 S**

(45) **Date of Patent:** **** Sep. 12, 2017**

(54) **ENDOSCOPE CONNECTOR**

(71) Applicant: **FUJIFILM Corporation**, Tokyo (JP)

(72) Inventors: **Ryosuke Ogura**, Kanagawa (JP); **Koji Yoshida**, Kanagawa (JP)

(73) Assignee: **FUJIFILM Corporation**, Tokyo (JP)

(**) Term: **15 Years**

(21) Appl. No.: **29/530,191**

(22) Filed: **Jun. 15, 2015**

(30) **Foreign Application Priority Data**

Dec. 16, 2014 (JP) 2014-028034

(51) **LOC (10) Cl.** **24-02**

(52) **U.S. Cl.**
USPC **D24/138**

(58) **Field of Classification Search**
USPC D24/108, 110.6, 111-114, 117, 118, 129,
D24/130, 132-134, 135, 137, 138, 222,
D24/127, 140, 141, 143, 144, 148, 160,
D24/79, 216, 152, 153, 154, 176;
D21/815; D25/2
CPC A61B 1/00; A61B 1/00137; A61B 1/005;
A61B 1/0014; A61B 1/0676; A61B
1/0669; A61B 1/00121; A61B 1/00133;
A61B 1/0071; A61B 1/00064; A61B
1/00068; A61B 1/00112; A61B 1/0125;
A61B 17/2478
See application file for complete search history.

(56) **References Cited**

U.S. PATENT DOCUMENTS

D230,097 S * 1/1974 Rylee D24/133
3,830,225 A * 8/1974 Shinnick A61B 1/00165
600/569
D239,027 S * 3/1976 Knox D24/129

D243,284 S * 2/1977 Myers D24/133
D300,273 S * 3/1989 Rudolph D24/110.6
D376,204 S * 12/1996 Huculak D24/133
D379,510 S * 5/1997 Bays D24/133
D387,863 S * 12/1997 Herman D24/133
D388,343 S * 12/1997 Yamauchi D10/57
D399,143 S * 10/1998 Allende D10/57
D443,825 S * 6/2001 Goettner D9/530
D450,246 S * 11/2001 Heisel D9/530
6,508,758 B2 * 1/2003 Komi A61B 1/0052
600/131
D474,276 S * 5/2003 Greise D16/202
D481,124 S * 10/2003 Hayamizu D24/138
D485,497 S * 1/2004 Steele, IV D9/516
D486,740 S * 2/2004 Steele, IV D9/516

(Continued)

Primary Examiner — Robert M Spear

Assistant Examiner — Eliza Bennett-Hattan

(74) *Attorney, Agent, or Firm* — Young & Thompson

(57) **CLAIM**

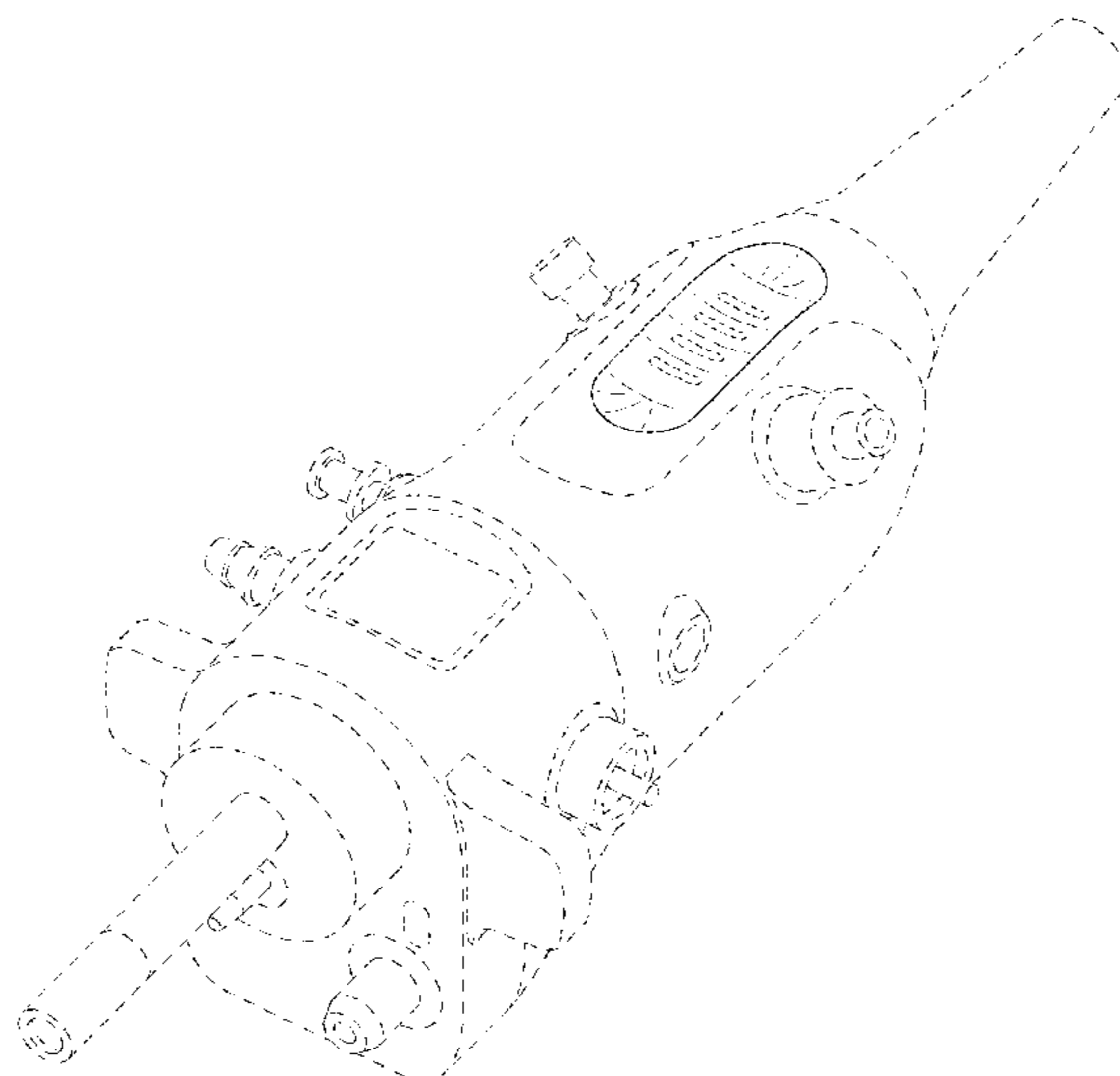
The ornamental design for an endoscope connector, as shown and described.

DESCRIPTION

FIG. 1 is a top, front and left side perspective view of an endoscope connector showing my new design;
FIG. 2 is a bottom, front and left side perspective view thereof;
FIG. 3 is a front elevational view thereof;
FIG. 4 is a rear elevational view thereof;
FIG. 5 is a top plan view thereof;
FIG. 6 is a bottom plan view thereof;
FIG. 7 is a left side elevational view thereof;
FIG. 8 is a right side elevational view thereof; and,
FIG. 9 is a top, front and right side perspective view thereof in a manner of use.

The broken line portions of the endoscope connector throughout the drawings are shown to illustrate environment only and form no part of the claimed design.

1 Claim, 8 Drawing Sheets



(56)

References Cited

U.S. PATENT DOCUMENTS

D534,656	S	*	1/2007	Pilvisto	D16/237
D535,393	S	*	1/2007	Pilvisto	D16/202
D582,284	S	*	12/2008	Ogg	D9/530
D598,543	S	*	8/2009	Vogel	D24/133
D607,032	S	*	12/2009	Halleck	D16/202
D621,932	S	*	8/2010	Sonleiter	D24/133
D624,649	S	*	9/2010	Seeh	D24/133
D629,098	S	*	12/2010	Sonleiter	D24/133
D629,891	S	*	12/2010	Virr	D24/129
D629,892	S	*	12/2010	Hill	D24/129
D635,256	S	*	3/2011	Huang	D24/137
D637,289	S	*	5/2011	Berberich	D24/146
D639,421	S	*	6/2011	Sano	D24/118
D643,534	S	*	8/2011	Halleck	D16/202
D651,312	S	*	12/2011	Halleck	D16/202
D664,053	S	*	7/2012	Lacotta	D10/57
D666,111	S	*	8/2012	Lacotta	D10/57
D667,557	S	*	9/2012	Boudier	D24/186
D673,644	S	*	1/2013	DeLorme	D23/202
D677,380	S	*	3/2013	Julian	D24/113
D681,808	S	*	5/2013	Holaschke	D24/114
D698,441	S	*	1/2014	Meguro	D24/138
D709,192	S	*	7/2014	Czupalla	D24/138
D721,969	S	*	2/2015	Williams	D9/516
D733,874	S	*	7/2015	Yu	D24/130
D736,371	S	*	8/2015	Row	D24/129
D737,966	S	*	9/2015	Meguro	D24/138
D741,184	S	*	10/2015	Herbst	D9/530
D758,197	S	*	6/2016	Herbst	D9/530
D764,661	S	*	8/2016	Babbs	D24/129
D771,252	S	*	11/2016	Osada	D24/138
D771,253	S	*	11/2016	Osada	D24/138

* cited by examiner

FIG. 1

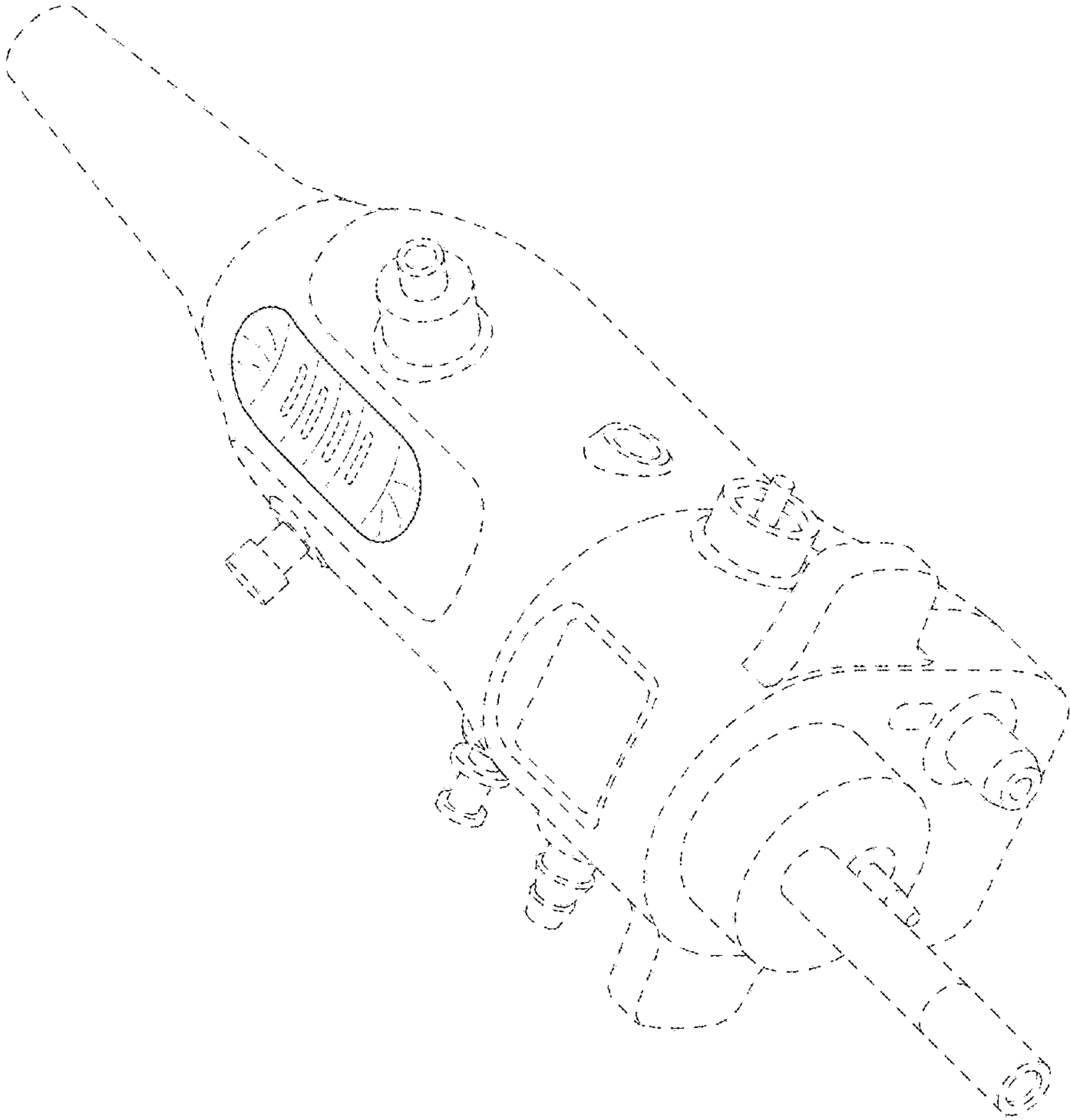


FIG. 2

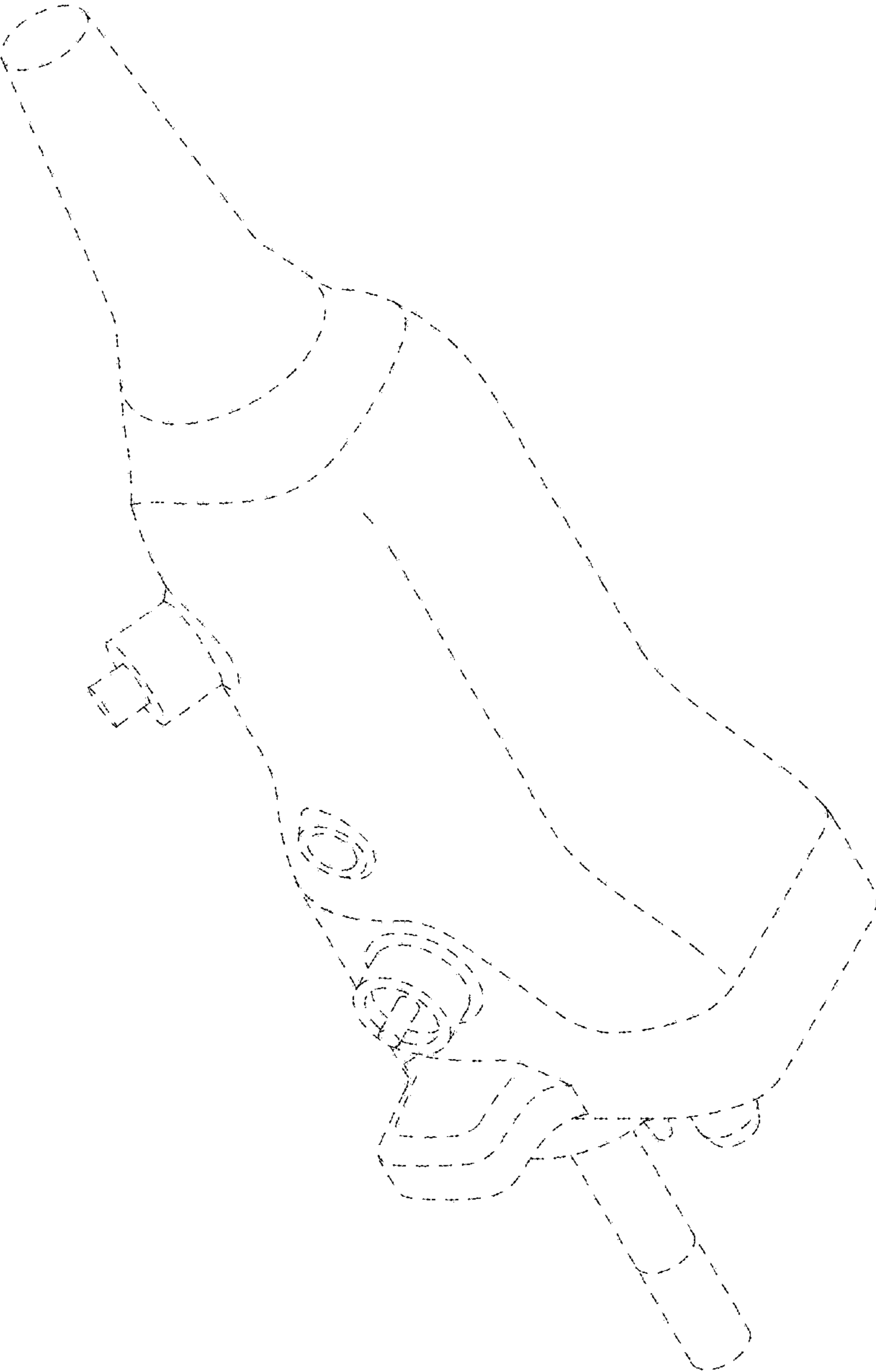


FIG. 3

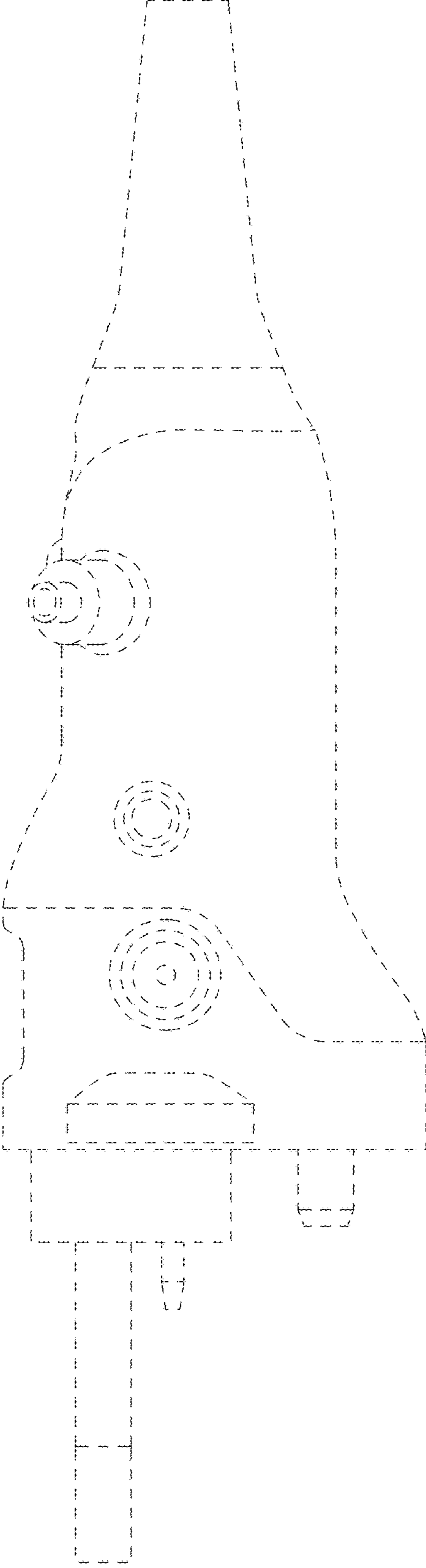


FIG. 4

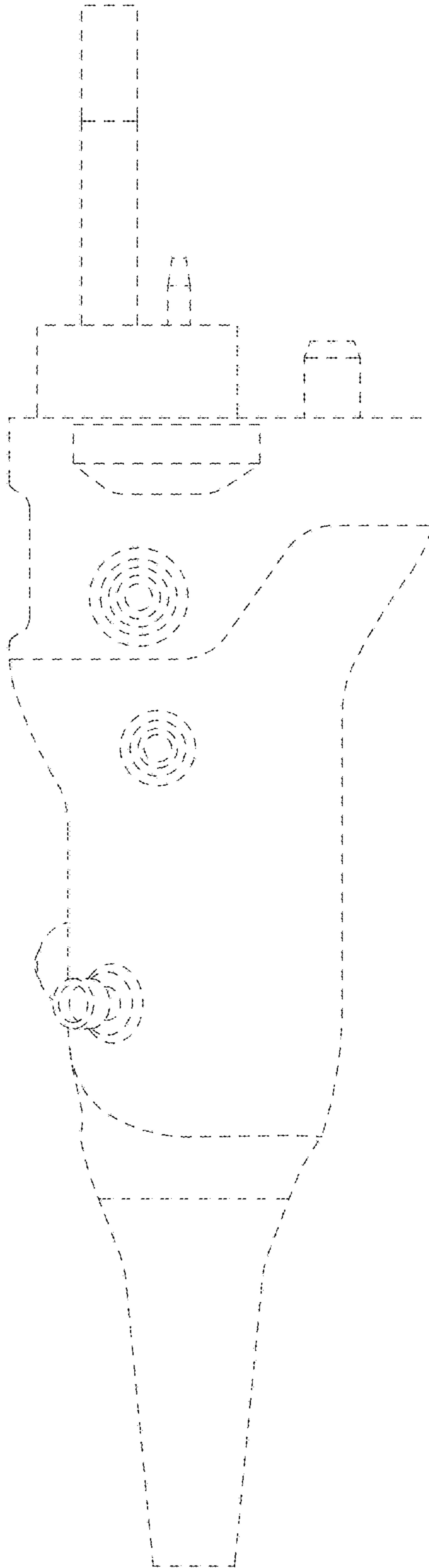


FIG. 5

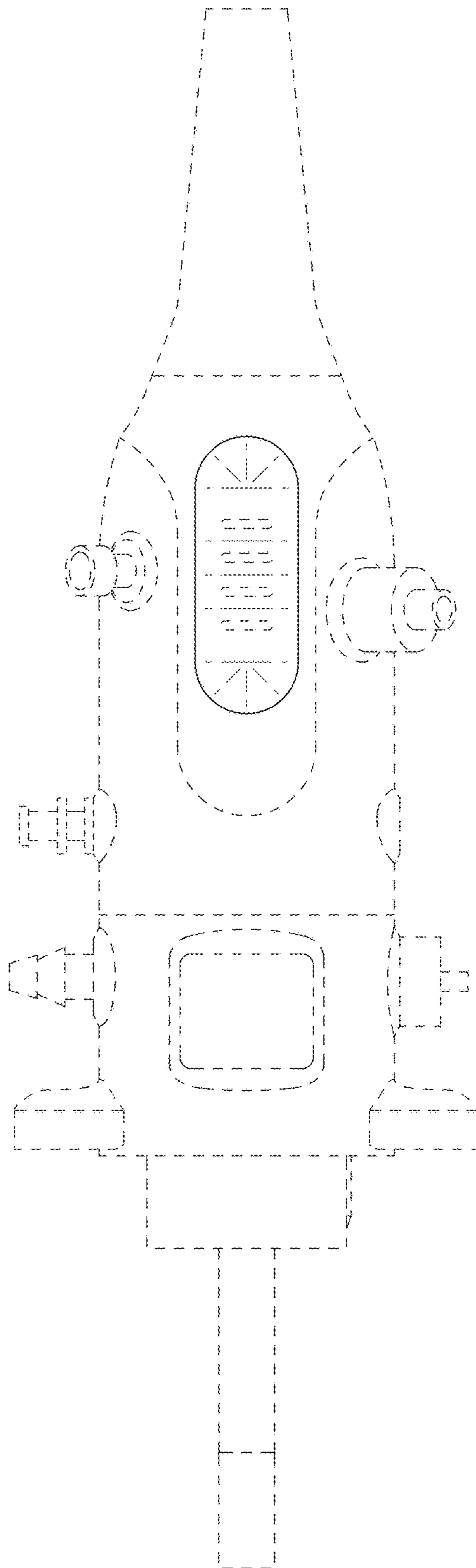


FIG. 6

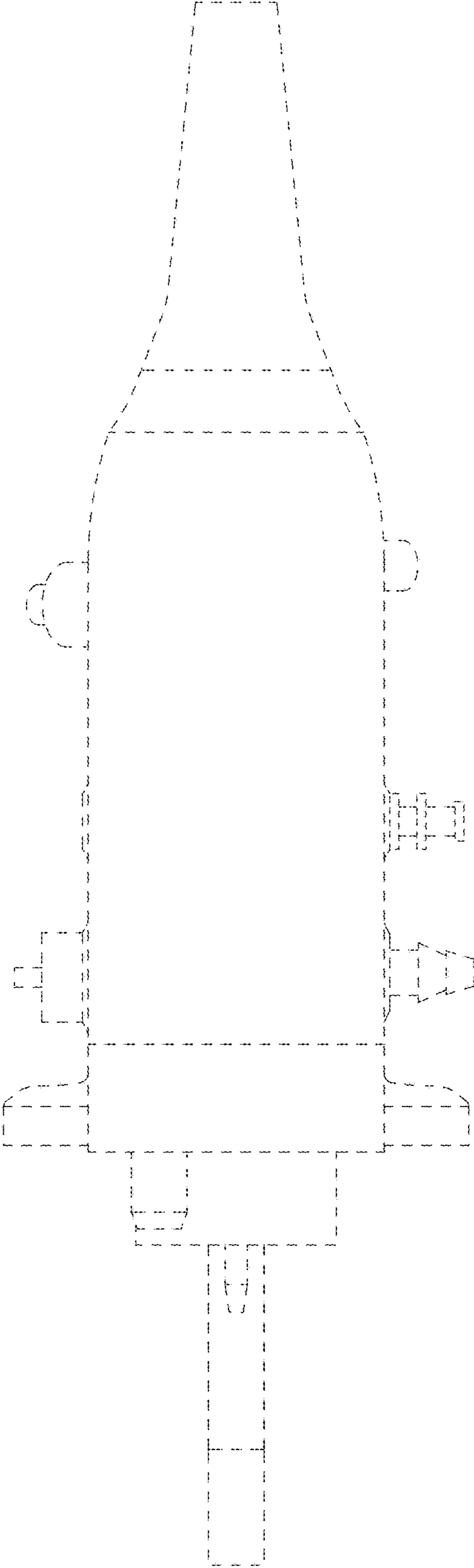


FIG. 7

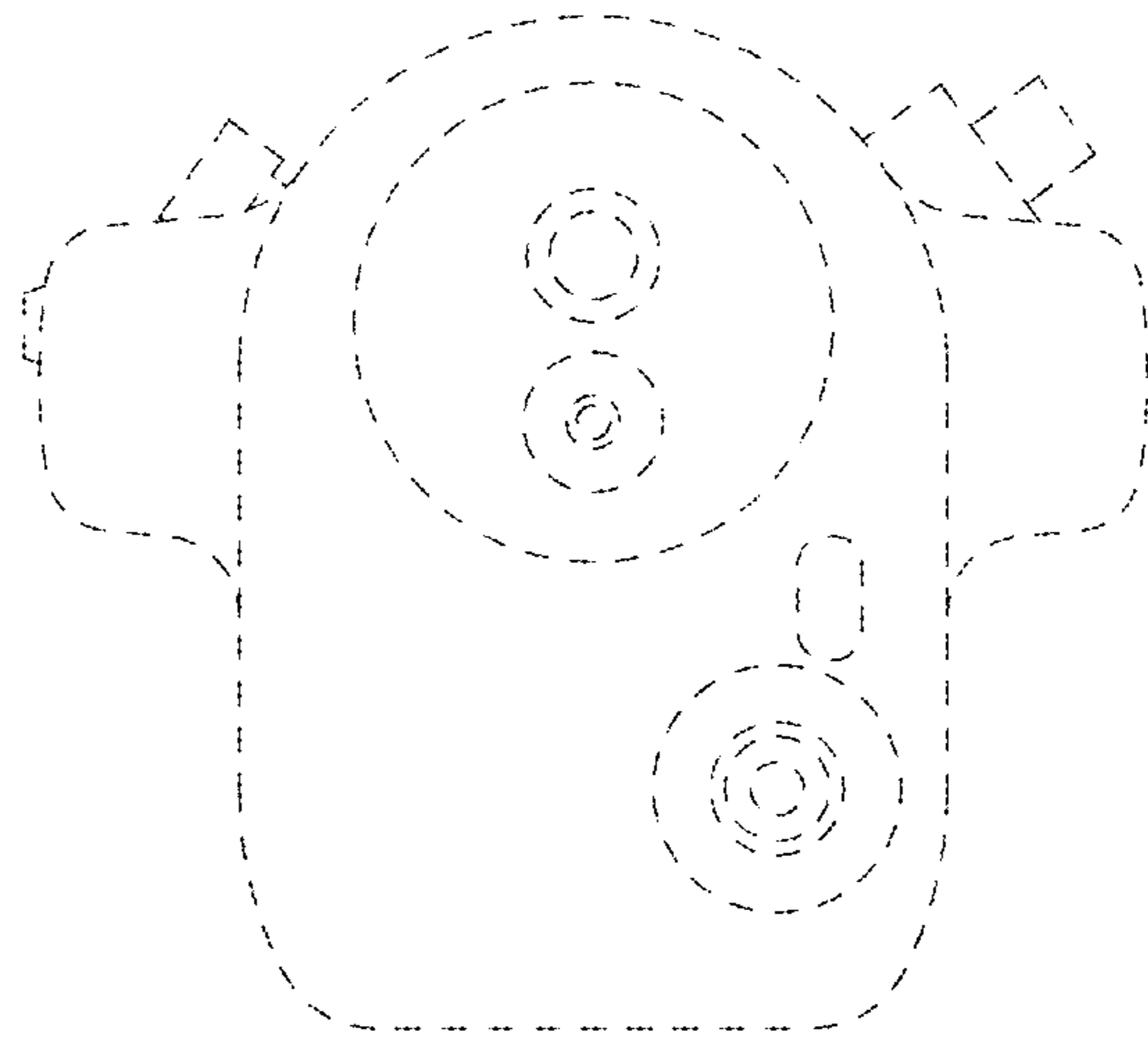


FIG. 8

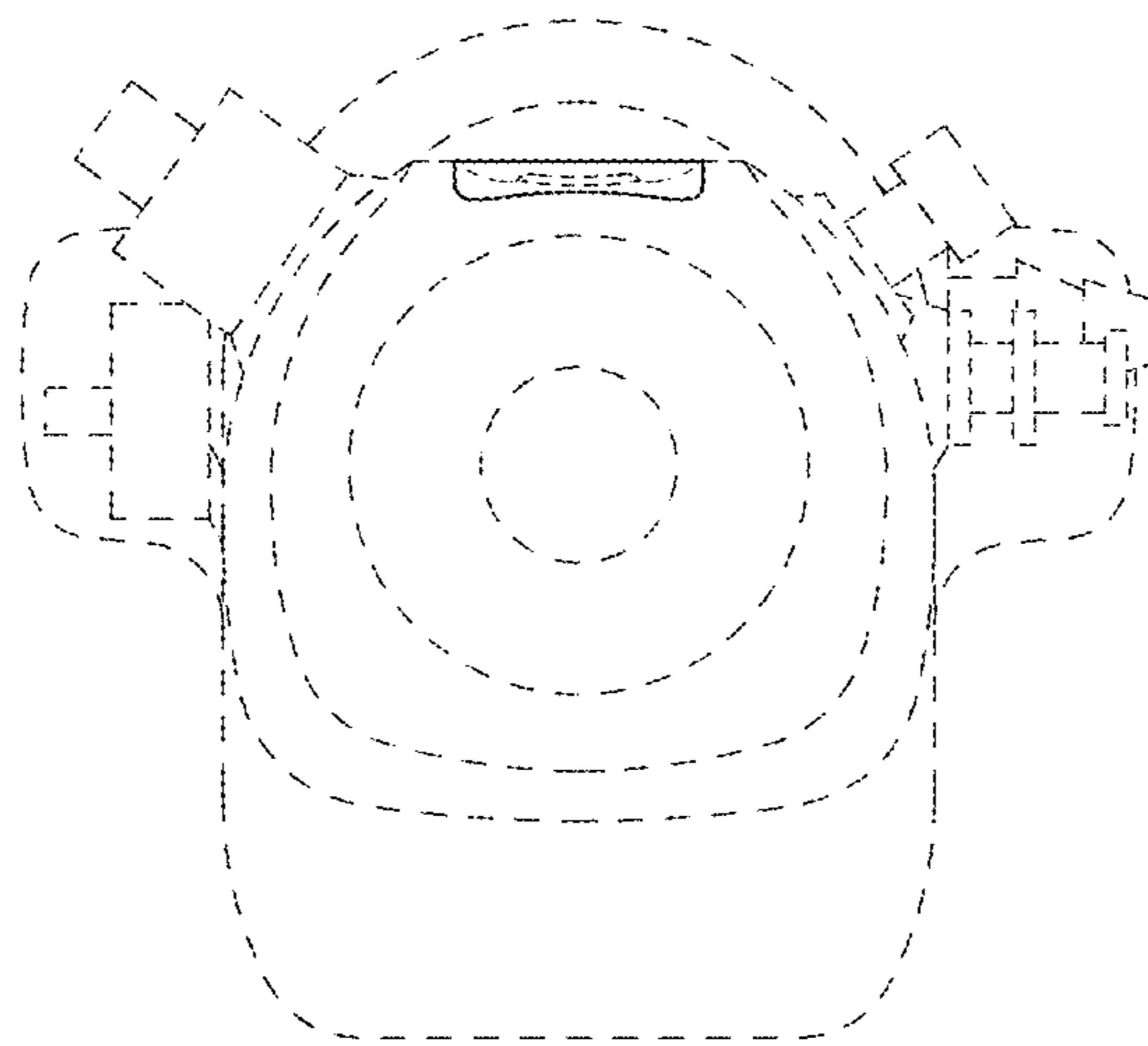


FIG. 9

