



US00D797281S

(12) **United States Design Patent** (10) **Patent No.:** **US D797,281 S**
Ohashi et al. (45) **Date of Patent:** **** Sep. 12, 2017**

(54) **MAIN BODY FOR INTRADERMAL INJECTION DEVICE**

(71) Applicant: **Terumo Kabushiki Kaisha**,
Shibuya-ku, Tokyo (JP)

(72) Inventors: **Hiroataka Ohashi**, Tokyo (JP); **Junichi Ogawa**, Yamanashi (JP)

(73) Assignee: **Terumo Kabushiki Kaisha**,
Shibuya-ku, Tokyo (JP)

(**) Term: **15 Years**

(21) Appl. No.: **29/532,685**

(22) Filed: **Jul. 9, 2015**

(30) **Foreign Application Priority Data**

Jan. 9, 2015 (JP) 2015-000298

(51) **LOC (10) Cl.** **24-02**

(52) **U.S. Cl.**
USPC **D24/130**

(58) **Field of Classification Search**
USPC D24/127-131, 112-114, 133, 186;
606/181, 185; 604/264, 523-528, 272,
604/187, 158, 164.01-164.11, 181, 184,
604/227; 600/101, 139, 143;
128/200.24, 207.14, 207.15
CPC A61M 5/178; A61M 3/00; A61M 5/20;
A61M 5/31; A61M 5/3146; A61M 5/3129
See application file for complete search history.

(56) **References Cited**

U.S. PATENT DOCUMENTS

D338,957 S * 8/1993 de Faire D24/112
6,575,941 B1 * 6/2003 Mumford A61M 5/3216
604/192
6,936,034 B2 * 8/2005 Watkins A61M 5/3243
359/441
D578,210 S * 10/2008 Muta D24/114

D649,242 S * 11/2011 Kosinski D24/129
D689,601 S * 9/2013 Black D24/108
8,636,702 B2 * 1/2014 Schiller A61M 5/31511
604/181
D721,803 S * 1/2015 Dubach D24/114
D729,931 S * 5/2015 Takeuchi D24/114
D739,524 S * 9/2015 Zemel D24/114
D743,025 S * 11/2015 Berler D24/114
D755,955 S * 5/2016 Kawamura D24/112
D760,385 S * 6/2016 McKee D24/128

* cited by examiner

Primary Examiner — David Muller

(74) *Attorney, Agent, or Firm* — Banner & Witcoff, Ltd.

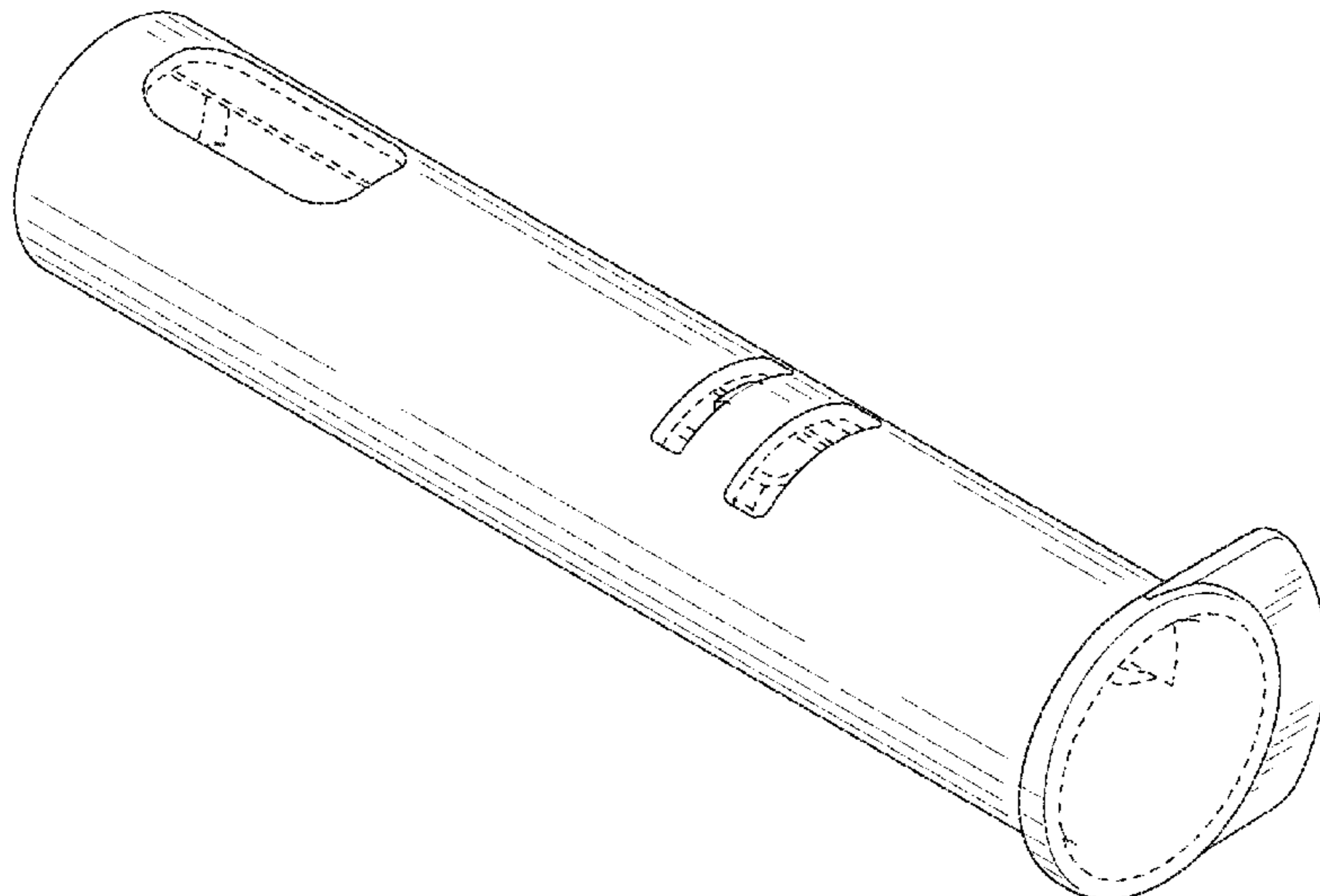
(57) **CLAIM**

The ornamental design for the main body for intradermal injection device, as shown and described.

DESCRIPTION

FIG. 1 is a perspective view of front, bottom and right side of the main body for intradermal injection device showing our new design;
FIG. 2 is a front view thereof;
FIG. 3 is a rear view thereof;
FIG. 4 is a left side view thereof;
FIG. 5 is a right side view thereof;
FIG. 6 is a top view thereof;
FIG. 7 is a bottom view thereof;
FIG. 8 is an enlarged cross sectional view at 8-8;
FIG. 9 is an enlarged cross sectional view at 9-9;
FIG. 10 is an enlarged cross sectional view at 10-10;
FIG. 11 is an enlarged cross sectional view at 11-11; and,
FIG. 12 is an explanatory view of usage thereof.
The broken lines shown are included for the purpose of illustrating the unclaimed portions of the main body for intradermal injection device and portions of a user in FIG. 12 form no part of the claimed design.

1 Claim, 7 Drawing Sheets



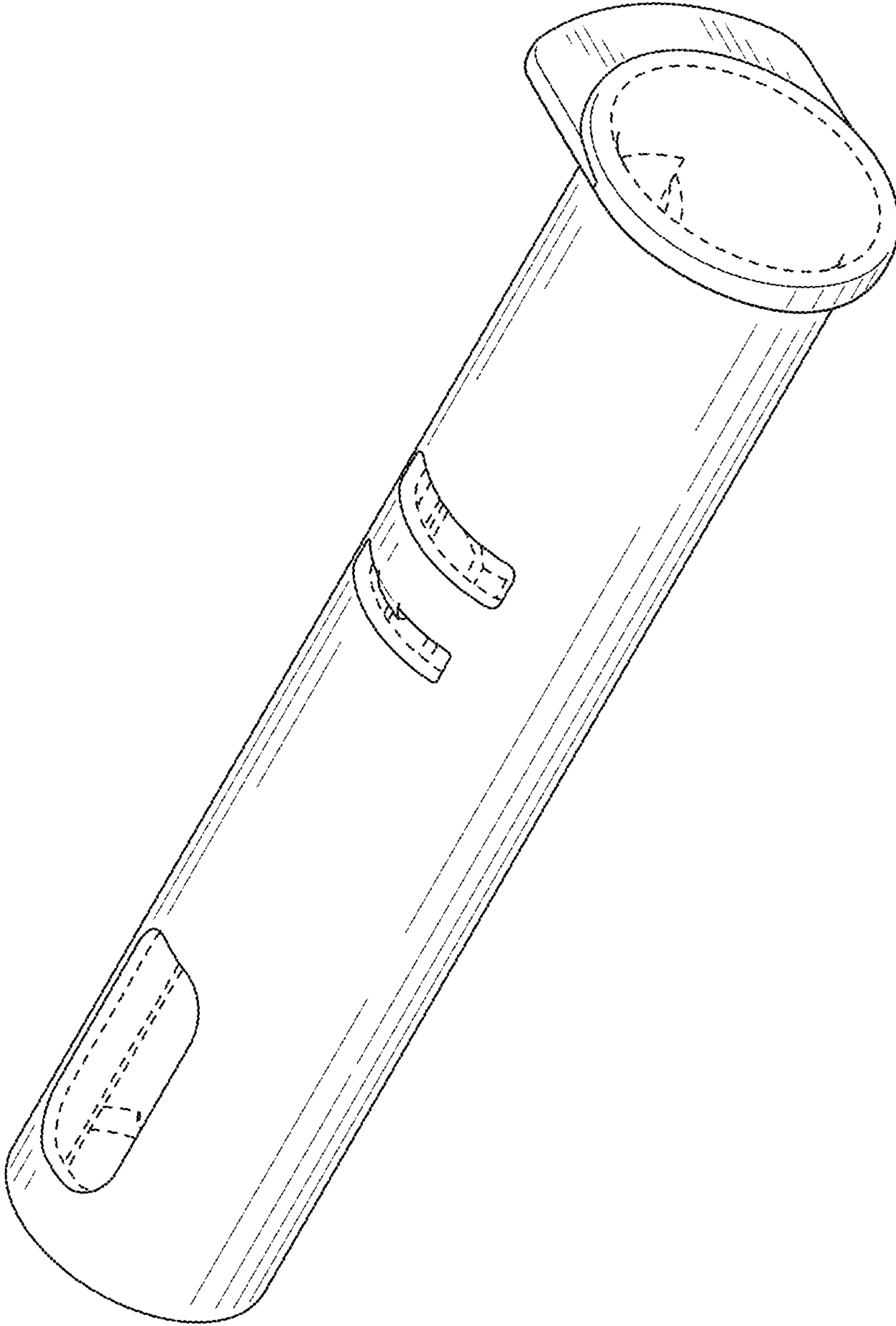


FIG. 1

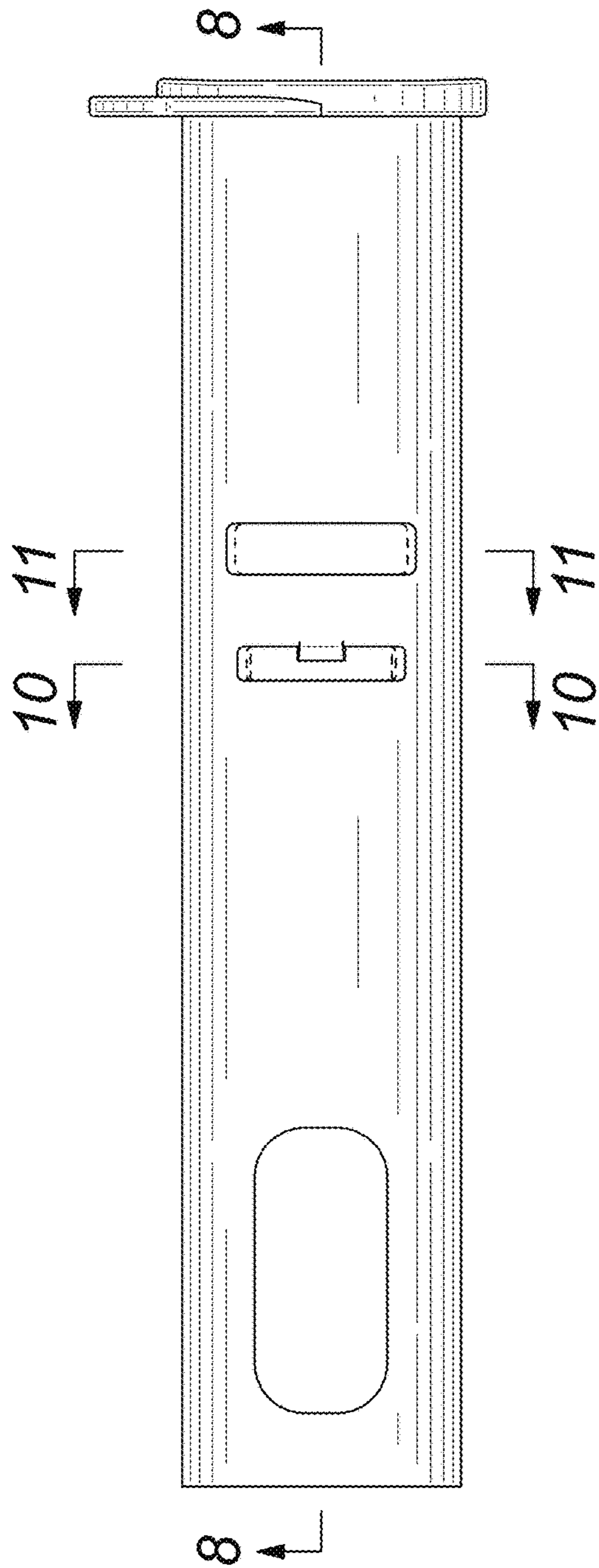


FIG. 2

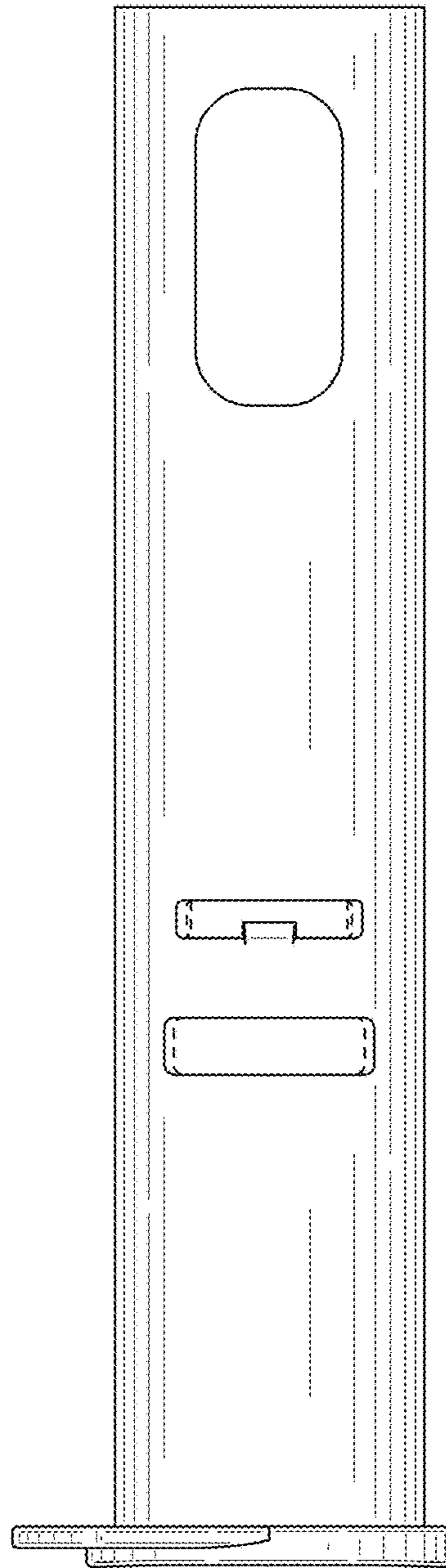


FIG. 3

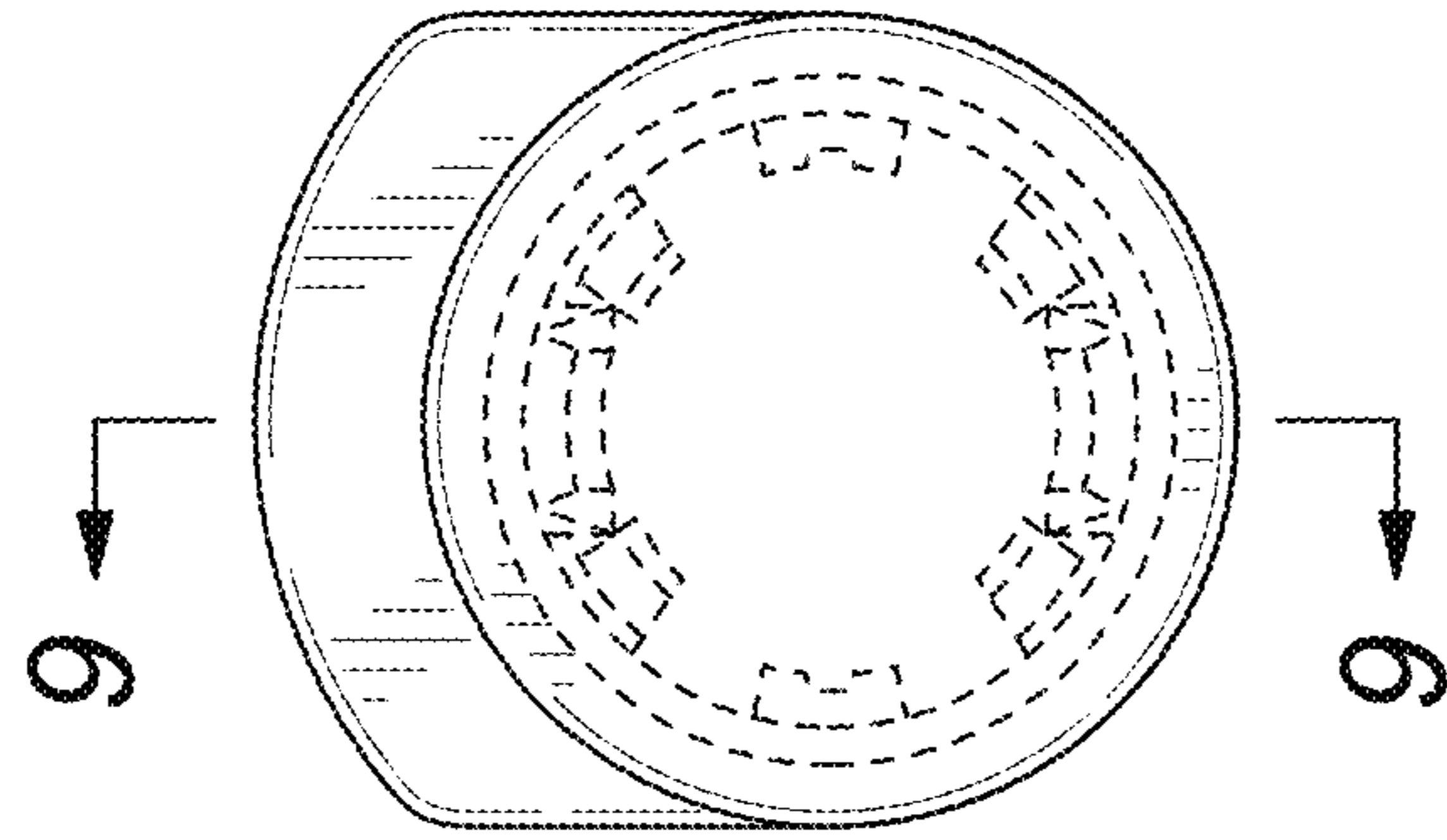


FIG. 5

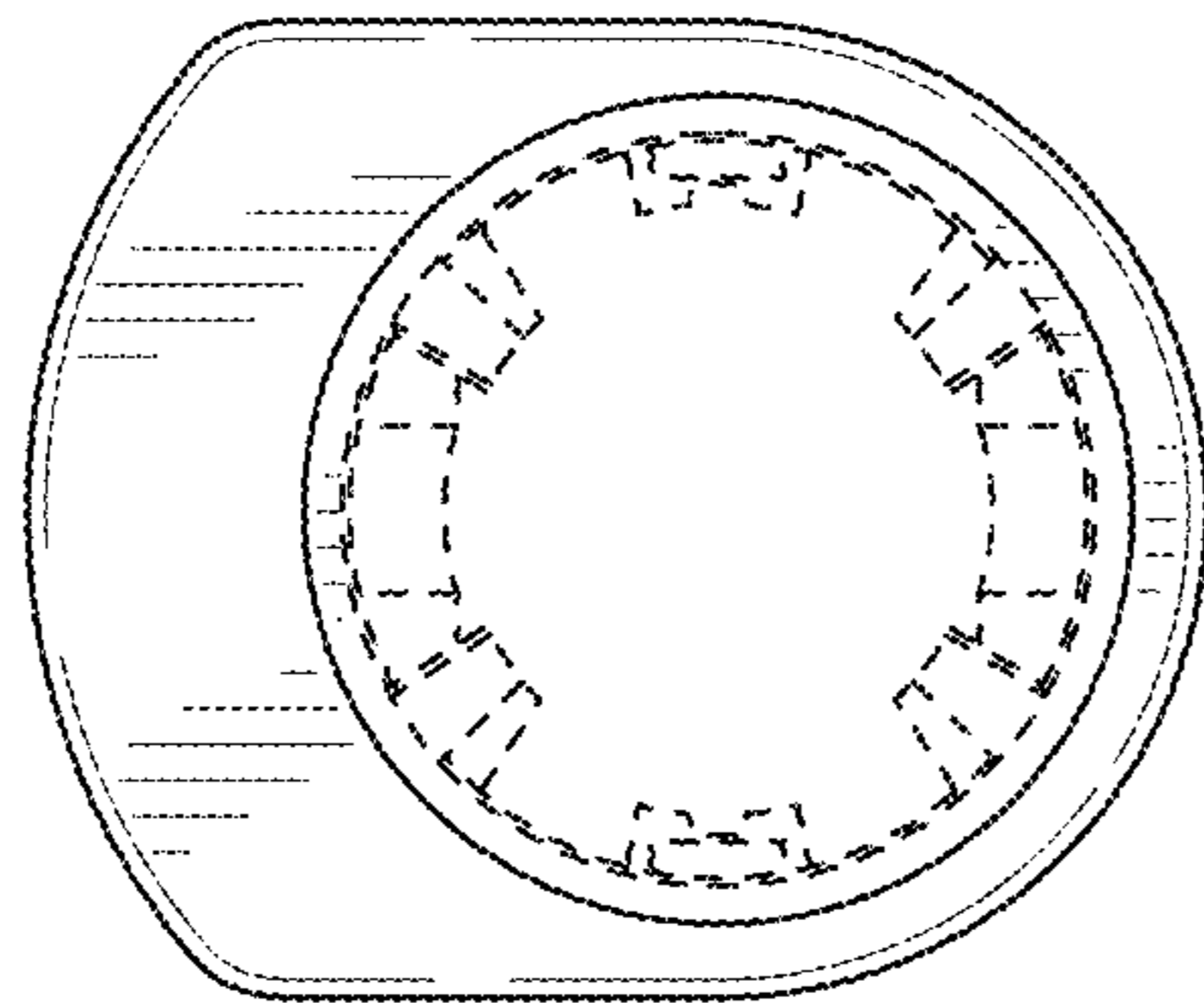


FIG. 4

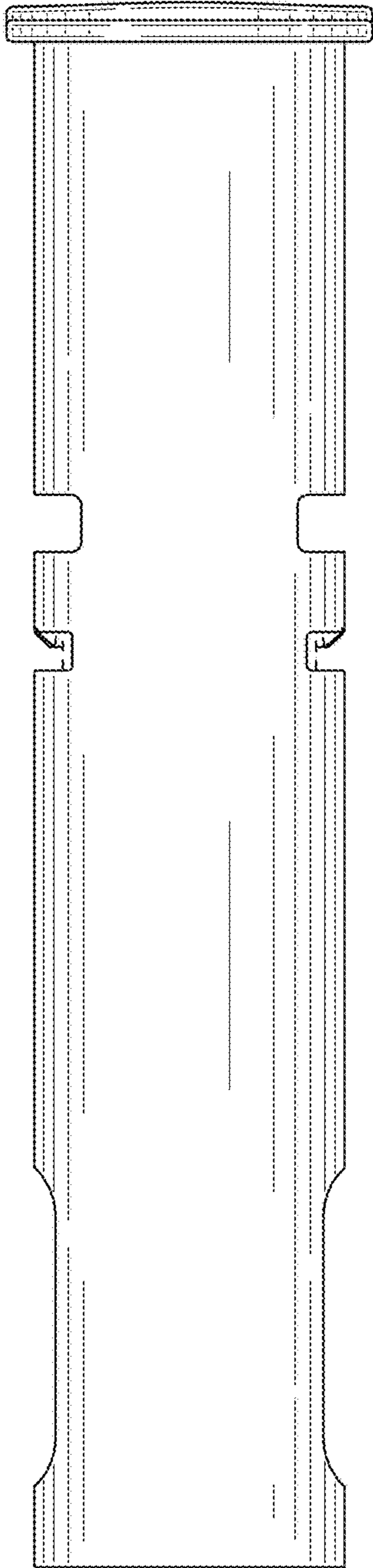


FIG. 6

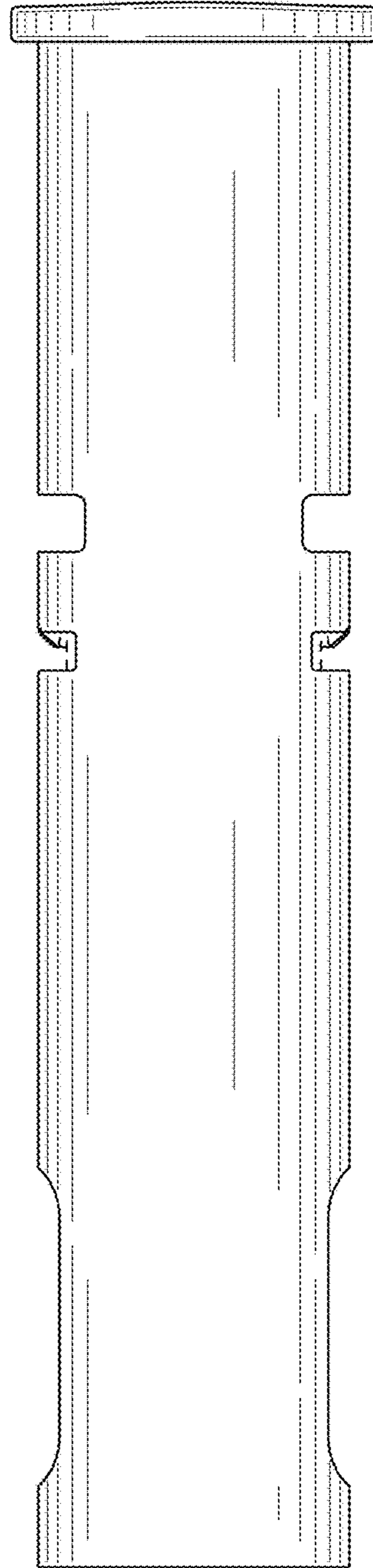


FIG. 7

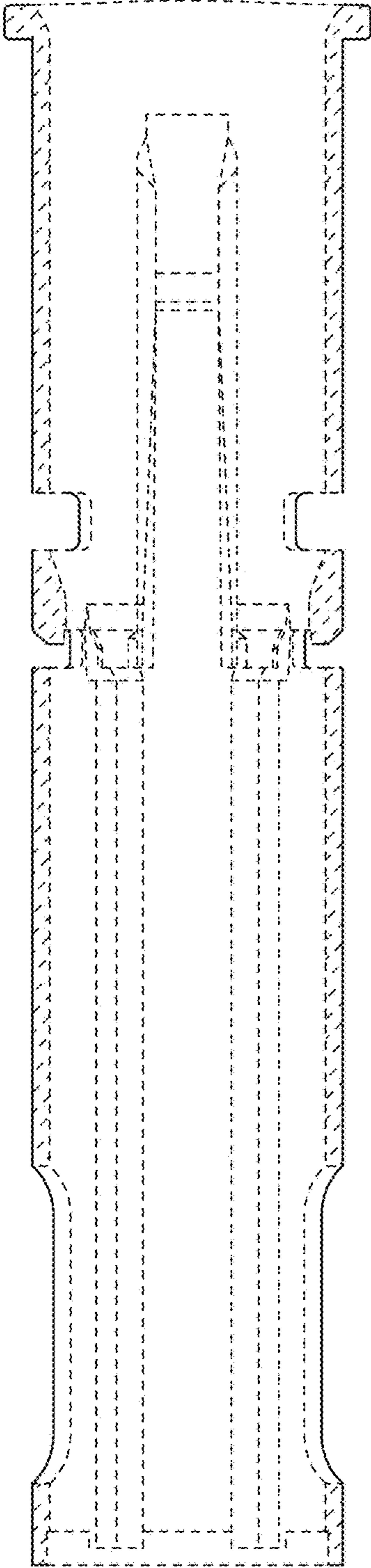


FIG. 8

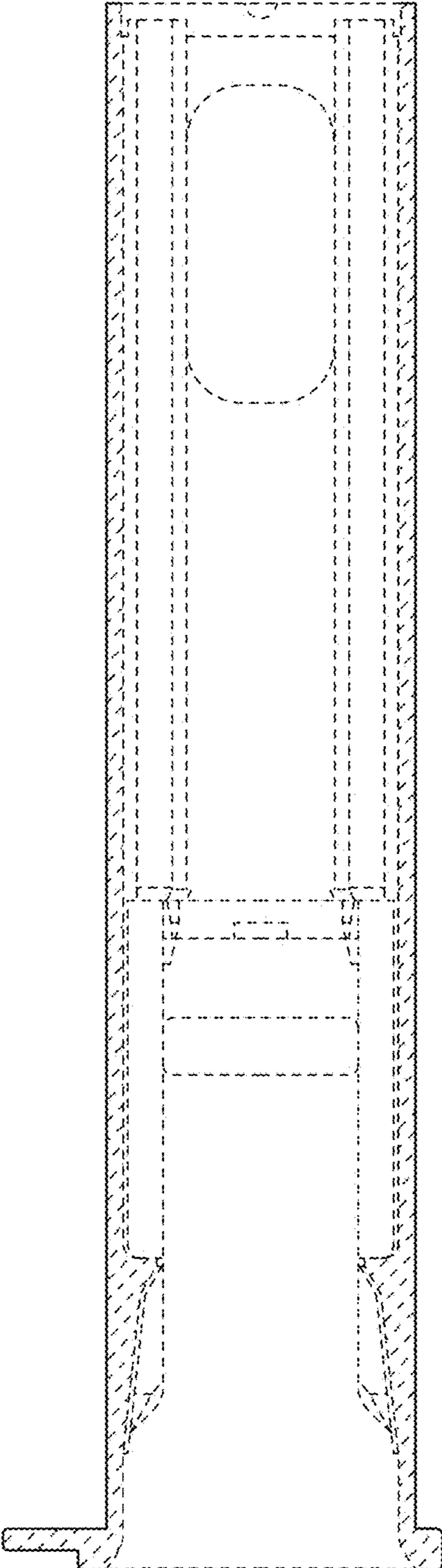


FIG. 9

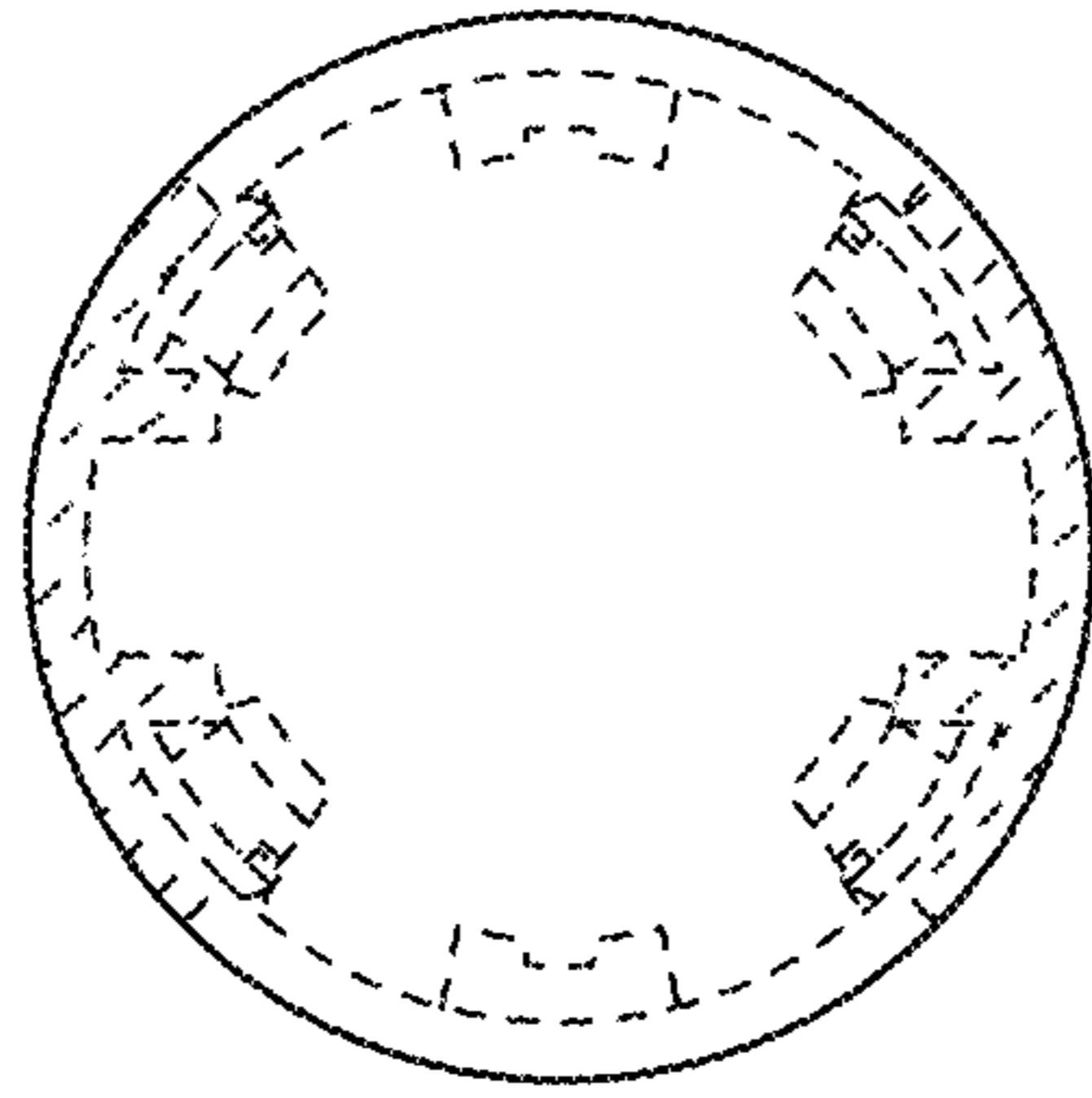


FIG. 10

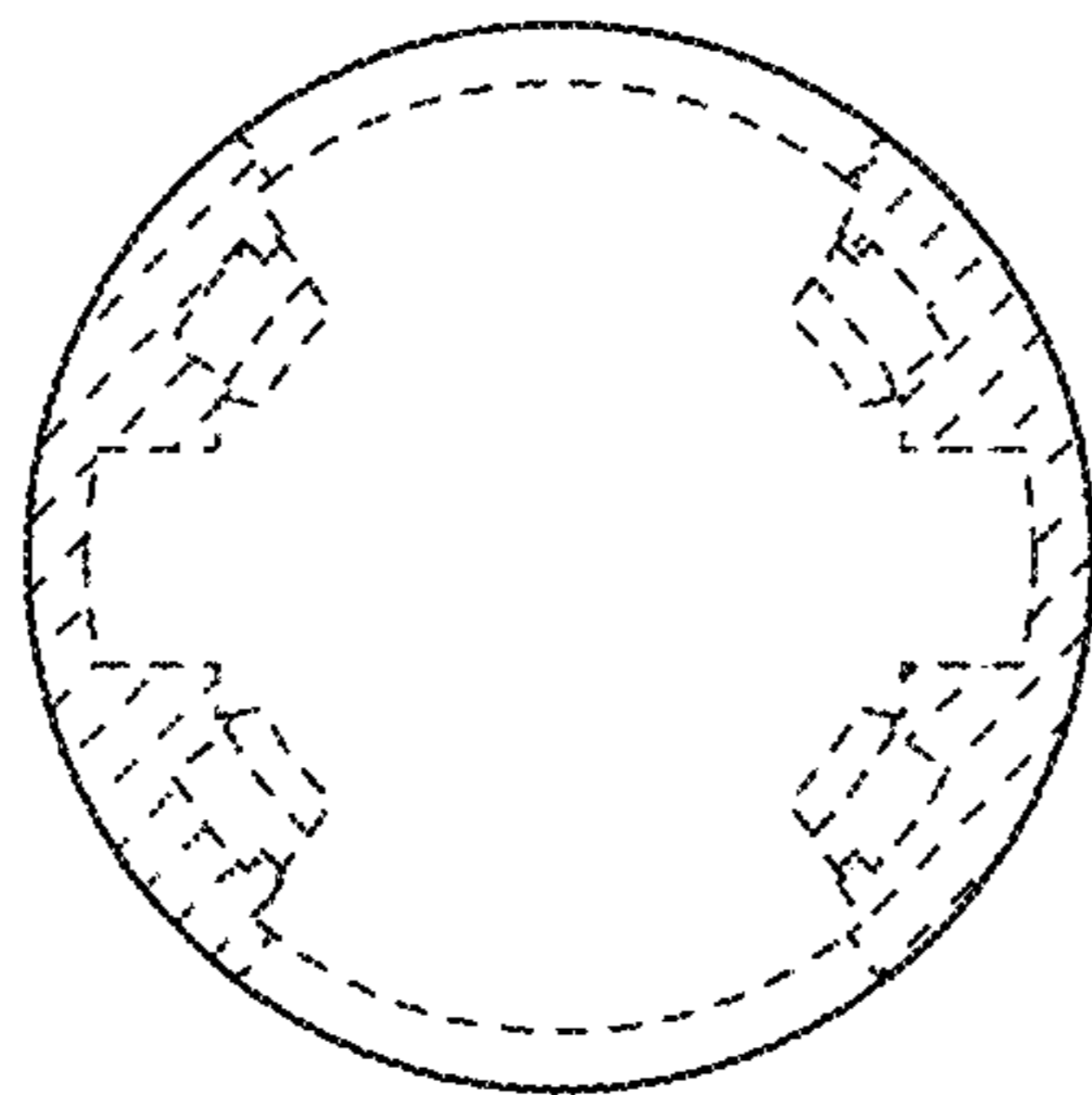


FIG. 11

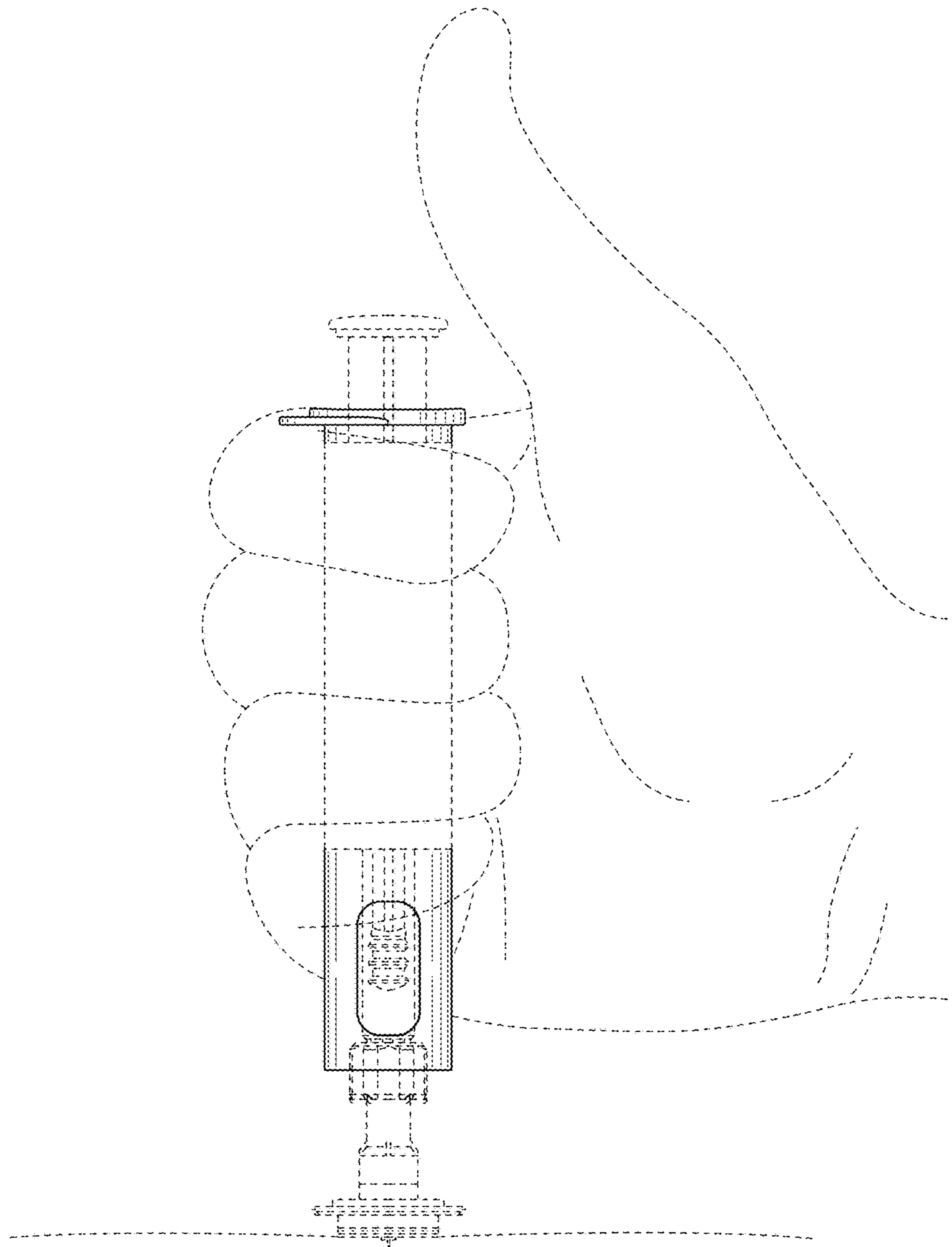


FIG. 12