



US00D797279S

(12) **United States Design Patent** (10) **Patent No.:** **US D797,279 S**
Eckstein et al. (45) **Date of Patent:** **** Sep. 12, 2017**

(54) **SYRINGE**

OTHER PUBLICATIONS

(71) Applicant: **3M INNOVATIVE PROPERTIES COMPANY**, St. Paul, MN (US)

Tetric EvoCeram & Tetric EvoFlow®, Ivoclar Vivodent, Oct. 29, 2013, 10 pages.

(72) Inventors: **Stefan Eckstein**, Munich (DE);
Andreas J. Boehm, Reichling (DE);
Marc Peuker, Schoendorf (DE)

Primary Examiner — David Muller
Assistant Examiner — Nathan Johnston

(**) Term: **15 Years**

(21) Appl. No.: **29/569,160**

(57) **CLAIM**

(22) Filed: **Jun. 24, 2016**
Related U.S. Application Data

The ornamental design for syringe, as shown and described.

(63) Continuation of application No. 29/504,290, filed on Oct. 3, 2014, now Pat. No. Des. 761,954.

DESCRIPTION

(30) **Foreign Application Priority Data**

Apr. 10, 2014 (EP) 1408728-1/2

(51) **LOC (10) Cl.** **24-02**

(52) **U.S. Cl.**
USPC **D24/114**

(58) **Field of Classification Search**
USPC D24/112-114, 127-131, 133, 186;
606/181, 185; 604/264, 272, 115, 232,
604/187, 158, 164.08, 192, 263, 163, 181,
604/184, 198, 227; 600/101, 139, 143;
128/200.24, 207.14, 207.15
CPC A61M 5/3156; A61M 5/31591; A61M
5/3155; A61M 5/3157; A61M 5/24;
A61M 5/31501; A61M 5/31551; A61M
5/31585; A61M 2005/2407; A61M
2005/2492; A61M 2205/581; A61M
2205/582

See application file for complete search history.

FIG. 1 is a perspective view of one embodiment of a syringe showing the new design for a syringe.
FIG. 2 is a right side elevation view thereof;
FIG. 3 is a top plan view thereof;
FIG. 4 is a bottom plan view thereof;
FIG. 5 is a left elevation view thereof;
FIG. 6 is a front elevation view thereof; and
FIG. 7 is a rear elevation view thereof.
FIG. 8 is a perspective view of another embodiment of a syringe showing the new design for a syringe, where a portion of the flange is transparent.
FIG. 9 is a right side elevation view thereof;
FIG. 10 is a top plan view thereof;
FIG. 11 is a bottom plan view thereof;
FIG. 12 is a left side elevation view thereof;
FIG. 13 is a front elevation view thereof; and,
FIG. 14 is a rear elevation view thereof.

(56) **References Cited**

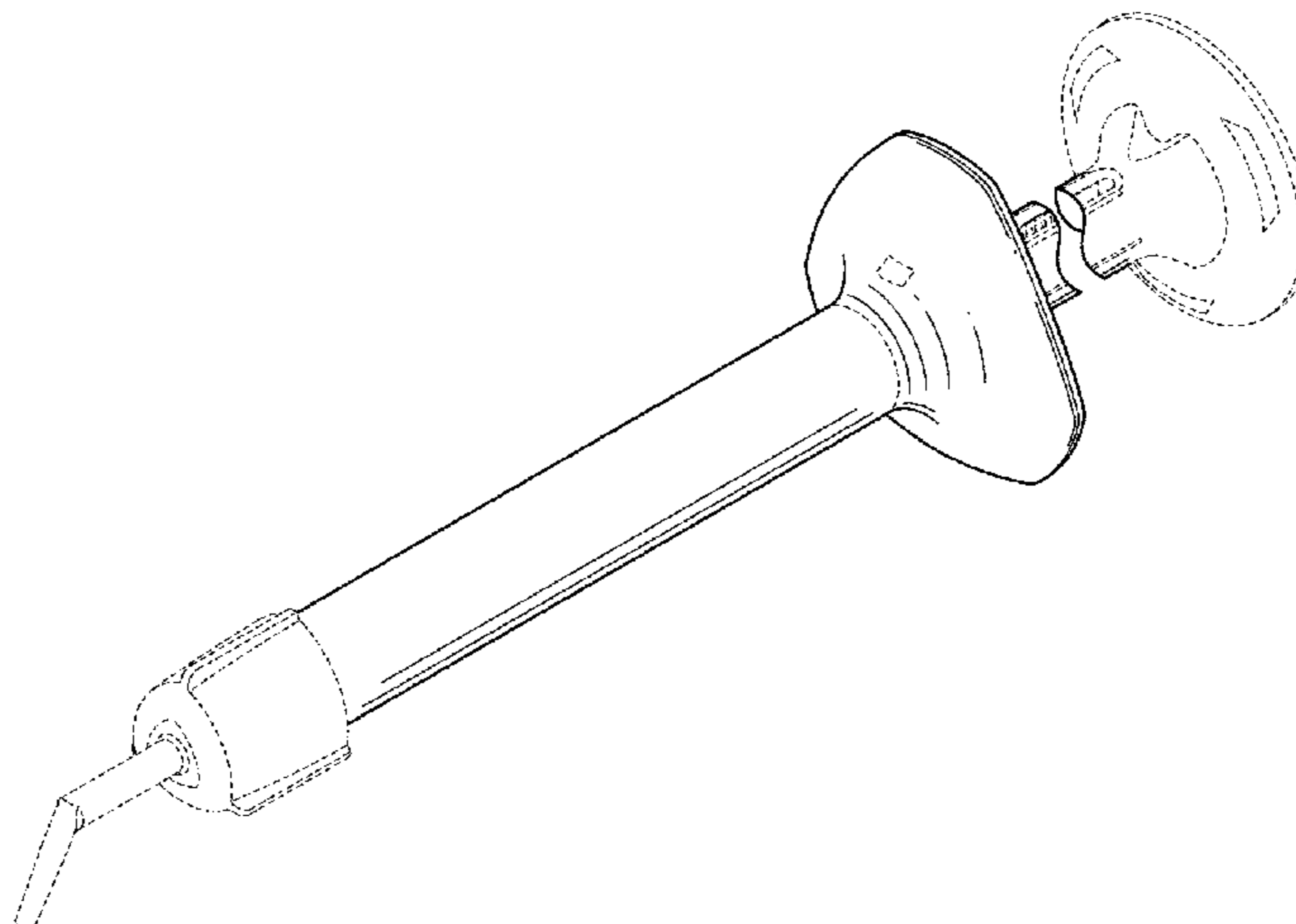
U.S. PATENT DOCUMENTS

3,739,947 A 6/1973 Baumann
D287,877 S 1/1987 Holewinski
D304,231 S * 10/1989 Stream D24/111
4,941,752 A 7/1990 Yant

The portions of the syringe in FIGS. 1-14 shown in broken lines are included to show features that form no part of the claimed design.

The syringe is shown with a symbolic break in its length. The appearance of any portion of the article between the break lines forms no part of the claims design.

1 Claim, 6 Drawing Sheets



(56)

References Cited

U.S. PATENT DOCUMENTS

5,324,273	A	6/1994	Discko, Jr.				
5,392,904	A	2/1995	Frick				
D359,119	S *	6/1995	Dragan	D24/114			
5,542,934	A	8/1996	Silver				
5,624,400	A	4/1997	Firth				
D383,205	S	9/1997	Pagay				
D401,324	S *	11/1998	Hjertman	D24/114			
D401,325	S	11/1998	Hjertman				
D419,236	S	1/2000	Carlson				
D421,121	S	2/2000	Prasad				
D429,812	S	8/2000	Hjertman				
D436,661	S	1/2001	Berry				
D472,323	S	3/2003	Sand				
6,743,216	B2 *	6/2004	Odell	A61M 5/3129 604/187			
6,884,071	B2	4/2005	Martin				
D545,429	S *	6/2007	Hays	D24/114			
D557,337	S *	12/2007	Isaacs	D19/149			
7,513,901	B2 *	4/2009	Scifert	A61B 17/8816 606/92			
7,562,792	B2	7/2009	Nisbet				
D645,958	S	9/2011	Assmann				
D657,867	S *	4/2012	Effenberger	D24/114			
D672,873	S	12/2012	An				
D681,808	S	5/2013	Holaschke				
D690,417	S *	9/2013	Solomon	D24/114			
D690,813	S	10/2013	Bizzell				
D693,940	S	11/2013	Walter				
D696,787	S	12/2013	Walter				
D698,918	S	2/2014	Leiner				
D721,803	S *	1/2015	Dubach	D24/114			
D730,515	S	5/2015	Shahidi				
D733,870	S	7/2015	Broyles				
D733,908	S	7/2015	Eckstein				
D734,490	S	7/2015	Eckstein				
D735,350	S	7/2015	Eckstein				
D739,524	S *	9/2015	Zemel	D24/114			
D739,550	S	9/2015	Eckstein				
D739,934	S	9/2015	Broyles				
D744,643	S	12/2015	Eckstein				
D753,293	S	4/2016	Eckstein				
D761,954	S *	7/2016	Eckstein	D24/114			
2002/0119417	A1 *	8/2002	Ashman	A61C 5/062 433/90			
2010/0240004	A1	9/2010	Zalsman				
2011/0114668	A1	5/2011	Bublewitz				
2013/0101955	A1	4/2013	Broyles				
2013/0260335	A1	10/2013	Peuker				

* cited by examiner

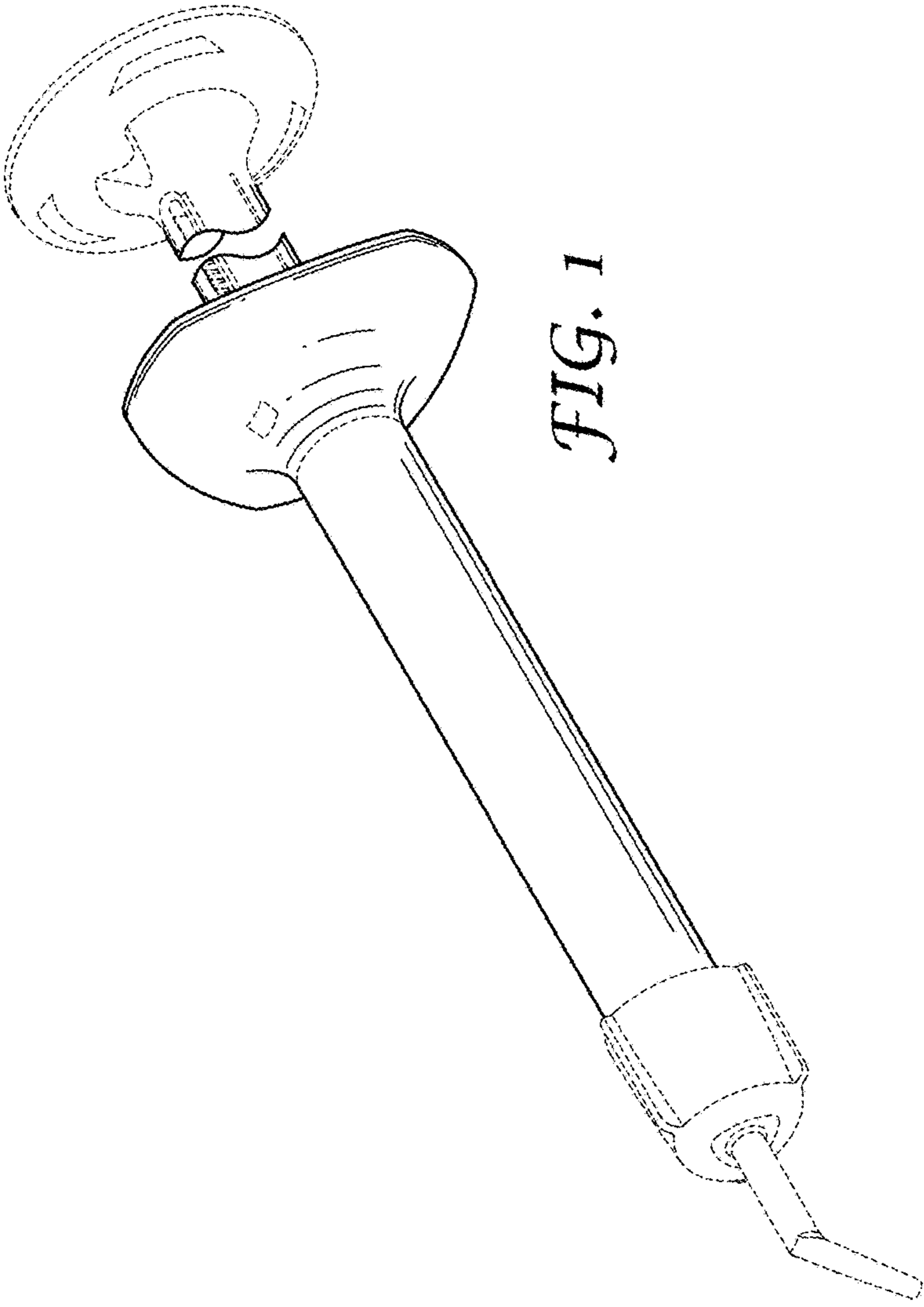


FIG. 1

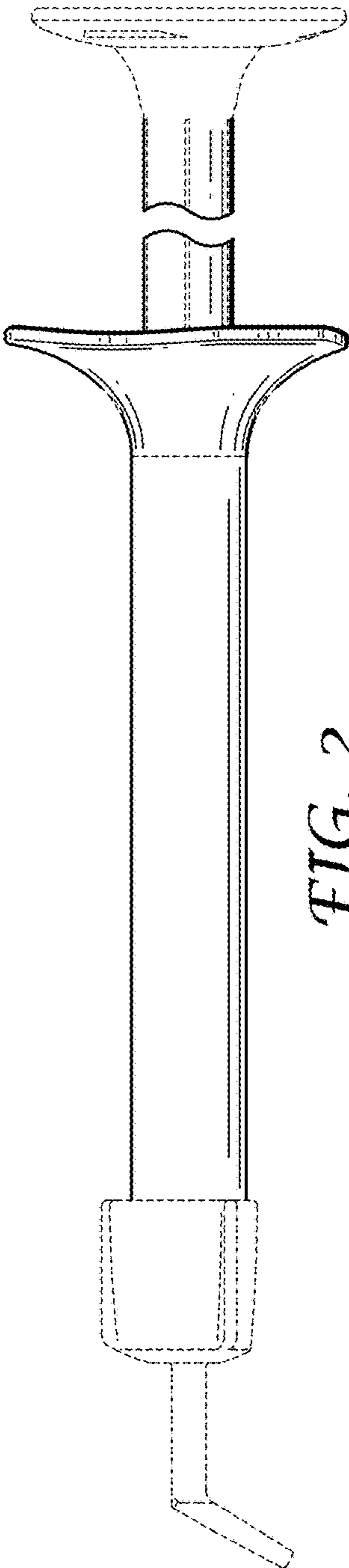
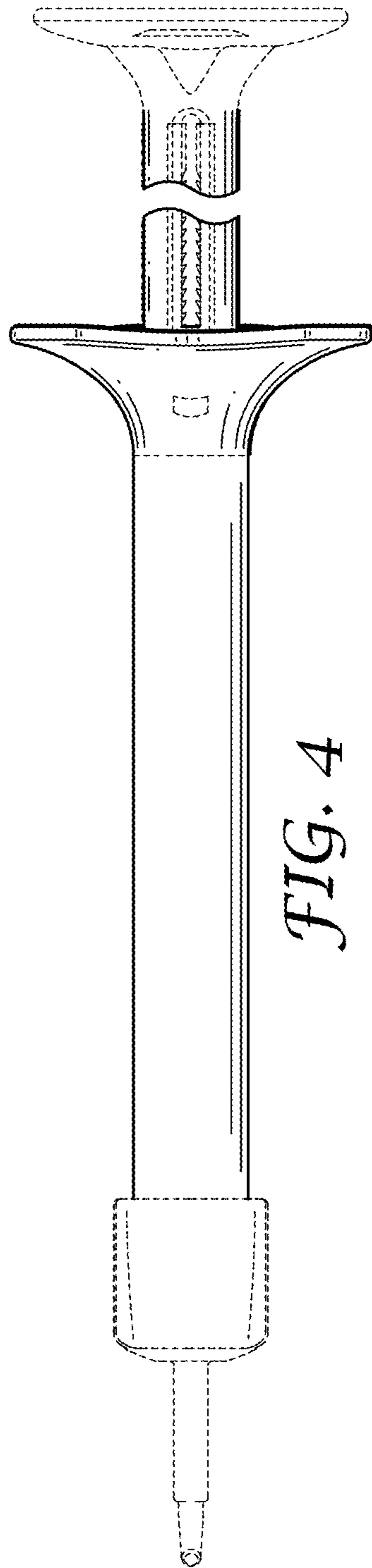
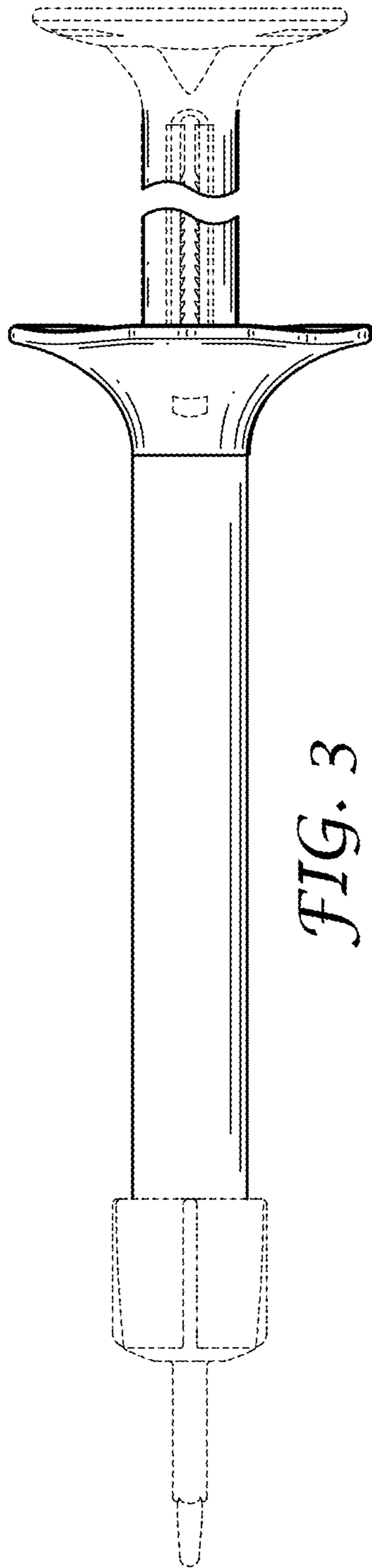


FIG. 2



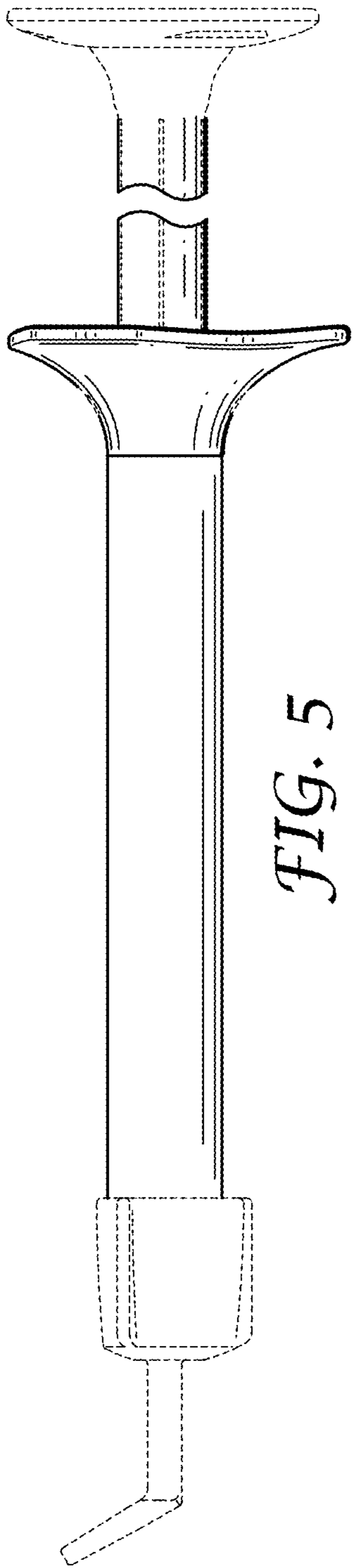


FIG. 5

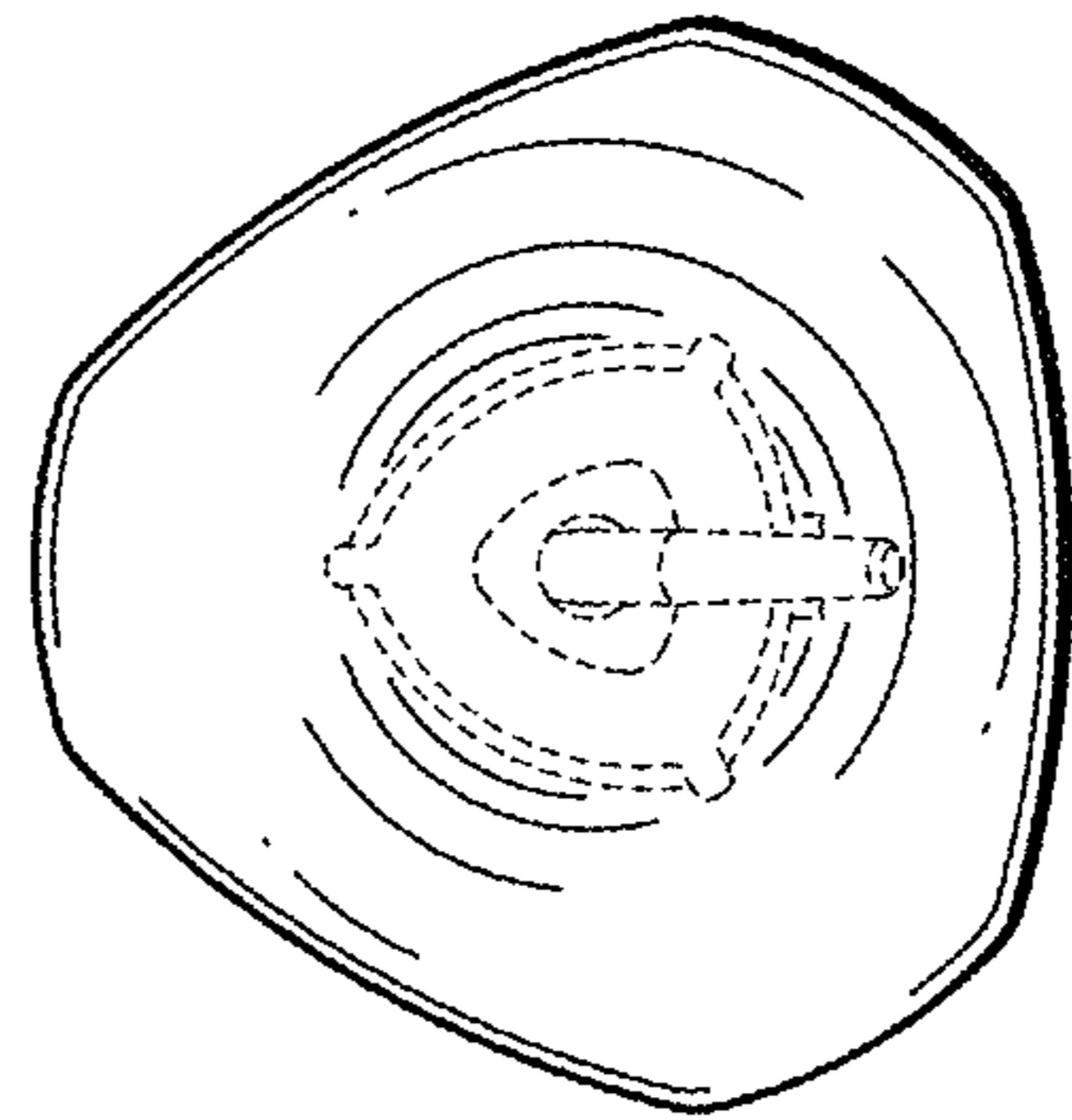


FIG. 6

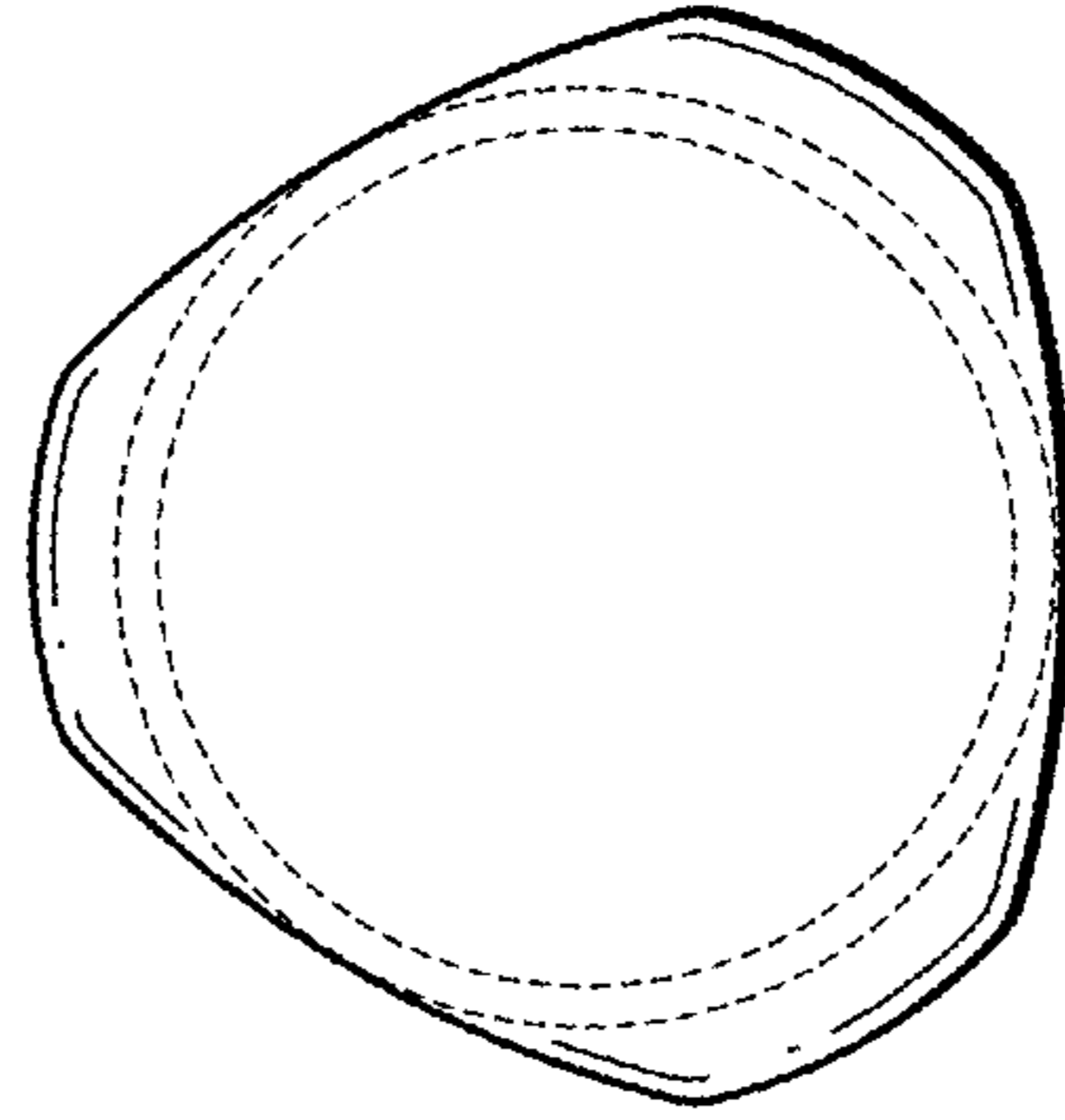


FIG. 7

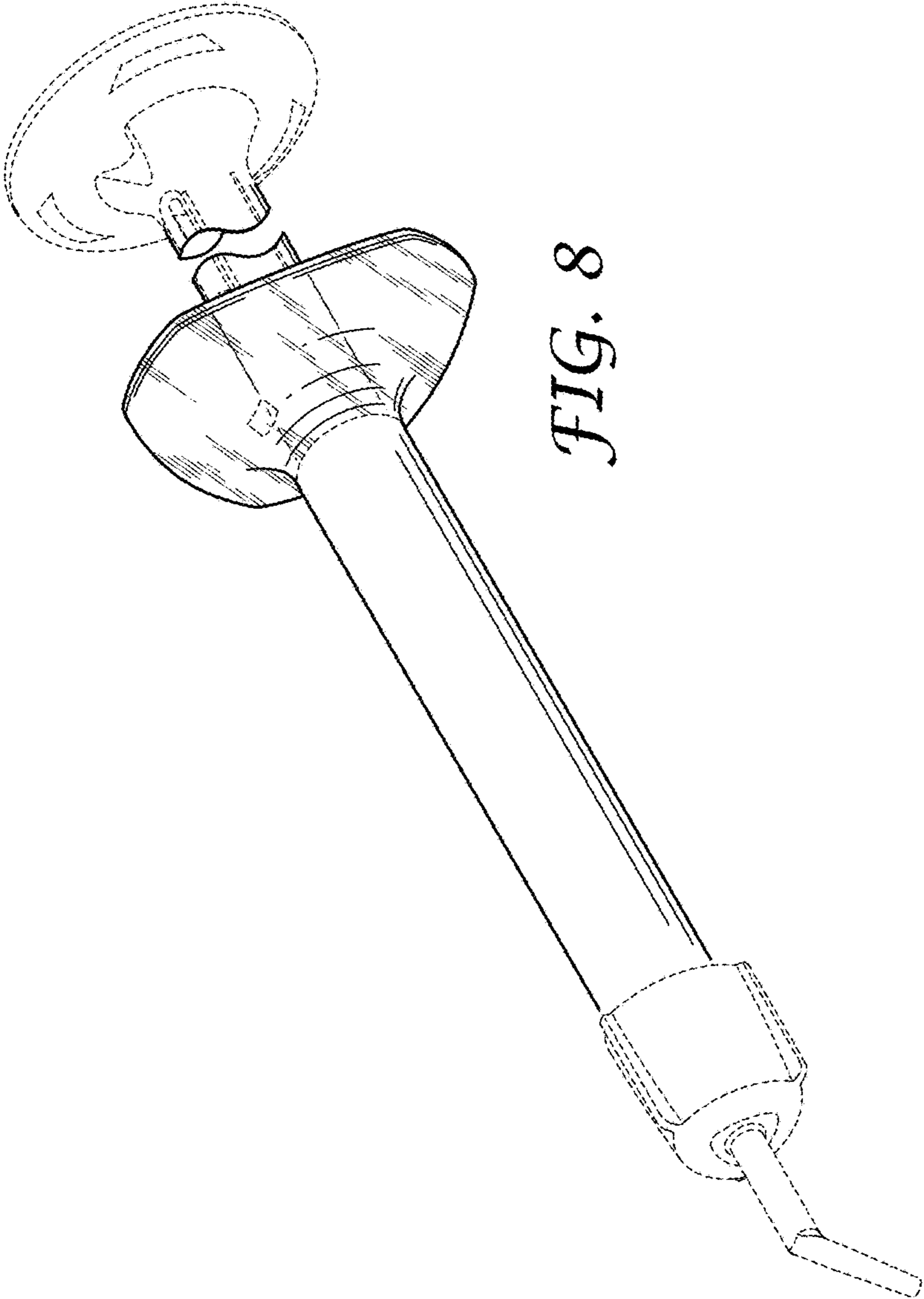


FIG. 8

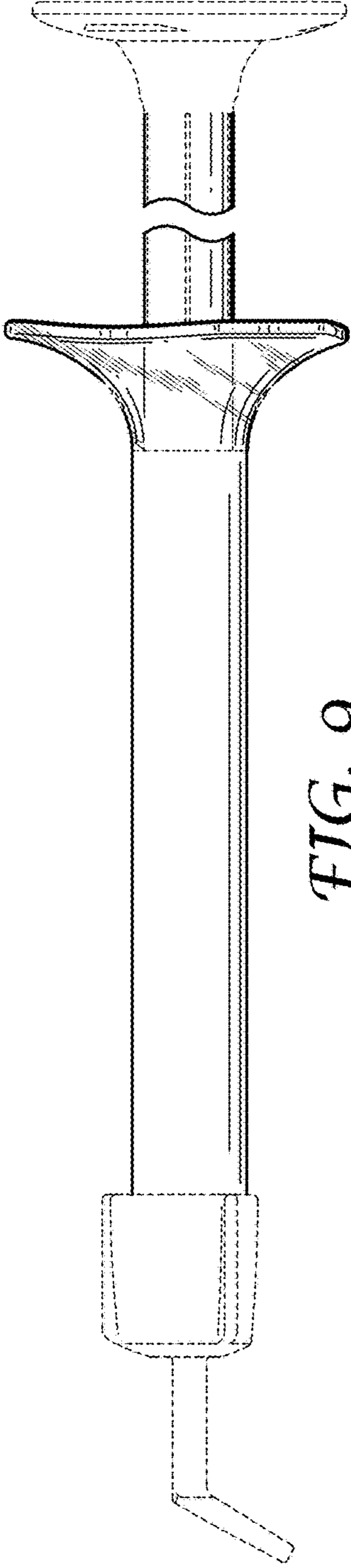


FIG. 9

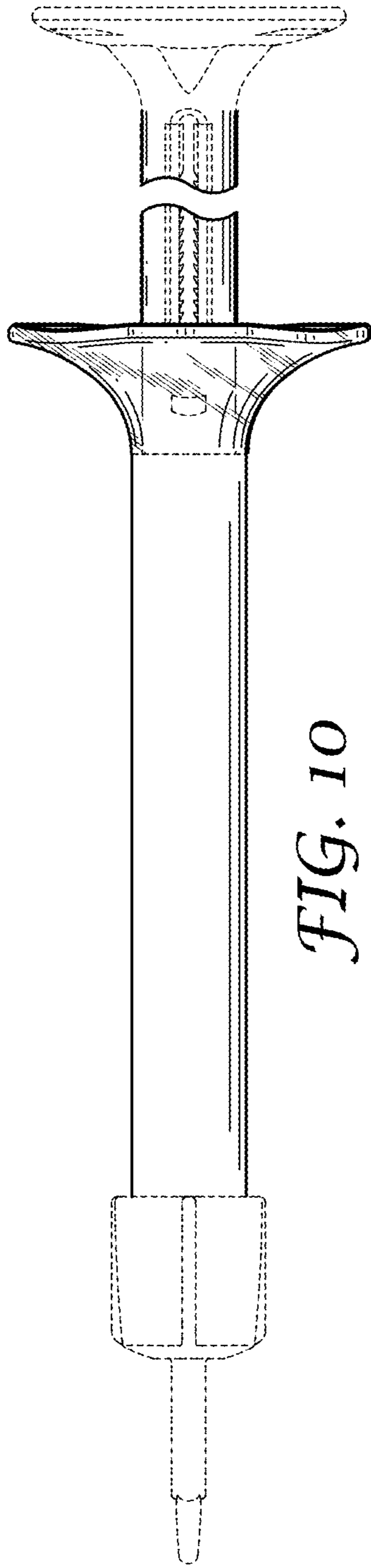


FIG. 10

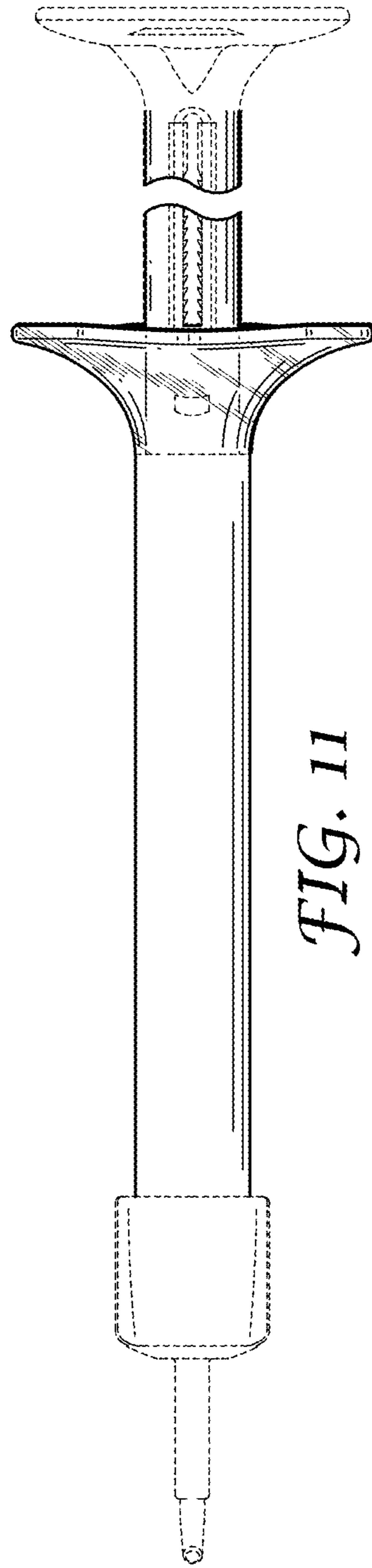


FIG. 11

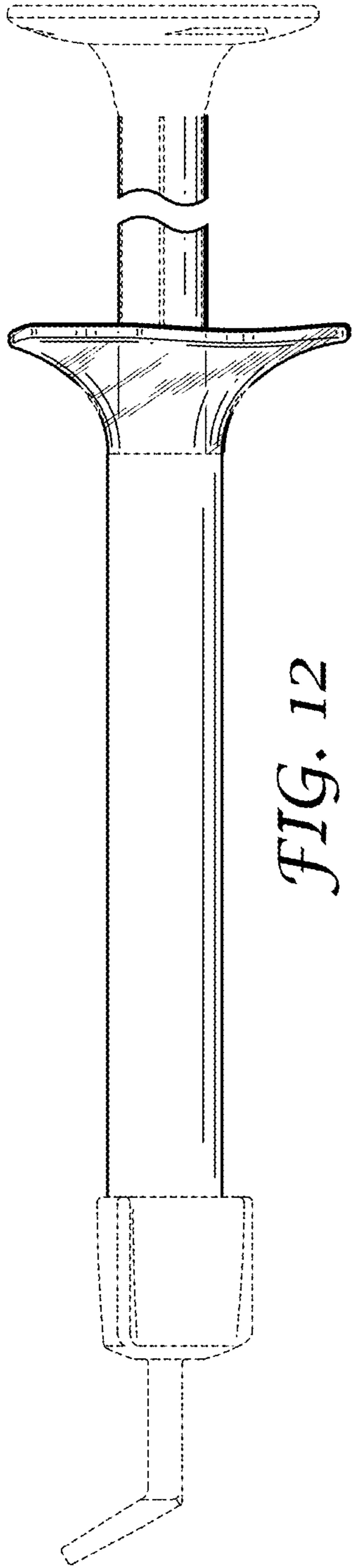


FIG. 12

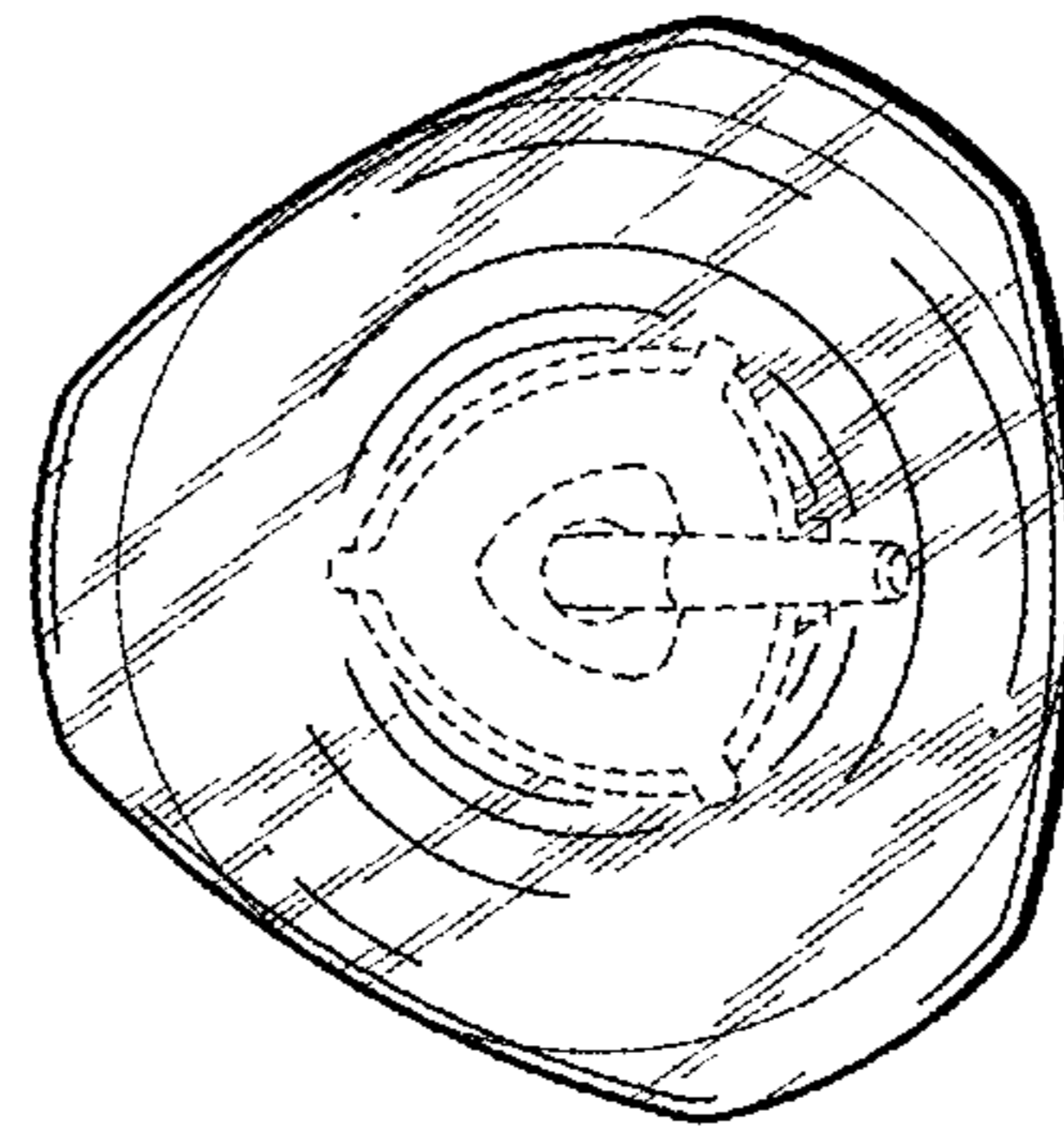


FIG. 13

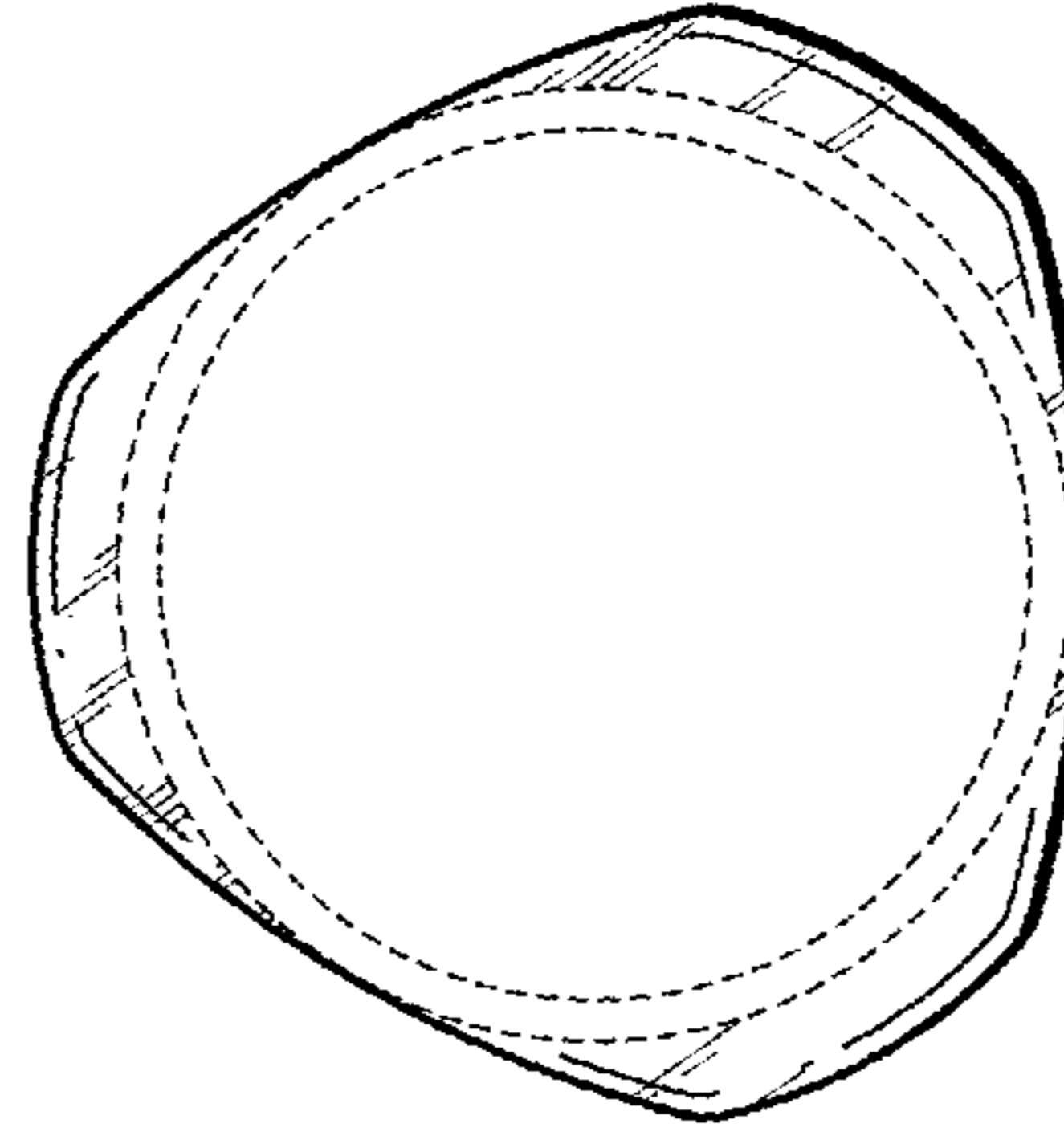


FIG. 14