



US00D797276S

(12) **United States Design Patent** (10) **Patent No.:** **US D797,276 S**
Matsumura (45) **Date of Patent:** **** Sep. 12, 2017**

(54) **ASPIRATOR HEAD**

(71) Applicant: **Kenichi Matsumura**, Tokyo (JP)

(72) Inventor: **Kenichi Matsumura**, Tokyo (JP)

(**) Term: **15 Years**

(21) Appl. No.: **35/501,080**

(22) Filed: **Dec. 16, 2015**

(80) **Hague Agreement Data**

Int. Filing Date: **Dec. 16, 2015**

Int. Reg. No.: **DM/088975**

Int. Reg. Date: **Dec. 16, 2015**

Int. Reg. Pub. Date: **Jun. 17, 2016**

(30) **Foreign Application Priority Data**

Sep. 24, 2015 (JP) 2015-20955

(51) **LOC (10) Cl.** **24-01**

(52) **U.S. Cl.**
USPC **D24/108**

(58) **Field of Classification Search**
USPC D24/108, 144, 138, 129, 137, 112, 133,
D24/232, 121, 130, 107; D16/219;
285/343; 251/325

CPC A61C 17/043; A61M 1/0043
See application file for complete search history.

(56) **References Cited**

U.S. PATENT DOCUMENTS

- 2,531,730 A * 11/1950 Henderson A61C 17/043
285/343
- 4,451,257 A * 5/1984 Atchley A61M 1/0043
251/325
- D731,049 S * 6/2015 Winter D24/107
- D737,952 S * 9/2015 Matsumura D24/108
- D739,005 S * 9/2015 Matsumura D24/108
- D741,478 S * 10/2015 Rogers D24/129
- D743,534 S * 11/2015 Mehta D24/108

- D746,447 S * 12/2015 Wheeler D24/129
- D748,776 S * 2/2016 Brannon D24/121
- D757,259 S * 5/2016 Duck D24/129
- D760,890 S * 7/2016 Guala D24/112
- D761,420 S * 7/2016 Hayamizu D24/129
- D762,855 S * 8/2016 Efinger D24/144
- D763,447 S * 8/2016 Efinger D24/144
- D768,854 S * 10/2016 Halleck D24/138
- D771,806 S * 11/2016 Steele D24/129
- D775,723 S * 1/2017 Rowe D24/112
- D776,252 S * 1/2017 Hoke D24/108
- D776,810 S * 1/2017 Tseng D24/137
- D776,811 S * 1/2017 Ogura D24/138
- D777,317 S * 1/2017 Soual D24/112
- D777,327 S * 1/2017 Halleck D24/138
- D780,916 S * 3/2017 Ogura D24/138
- D783,176 S * 4/2017 Gavlak D24/121
- D784,535 S * 4/2017 Osada D16/219

(Continued)

FOREIGN PATENT DOCUMENTS

JP 1513693 12/2014

Primary Examiner — Rhea Shields

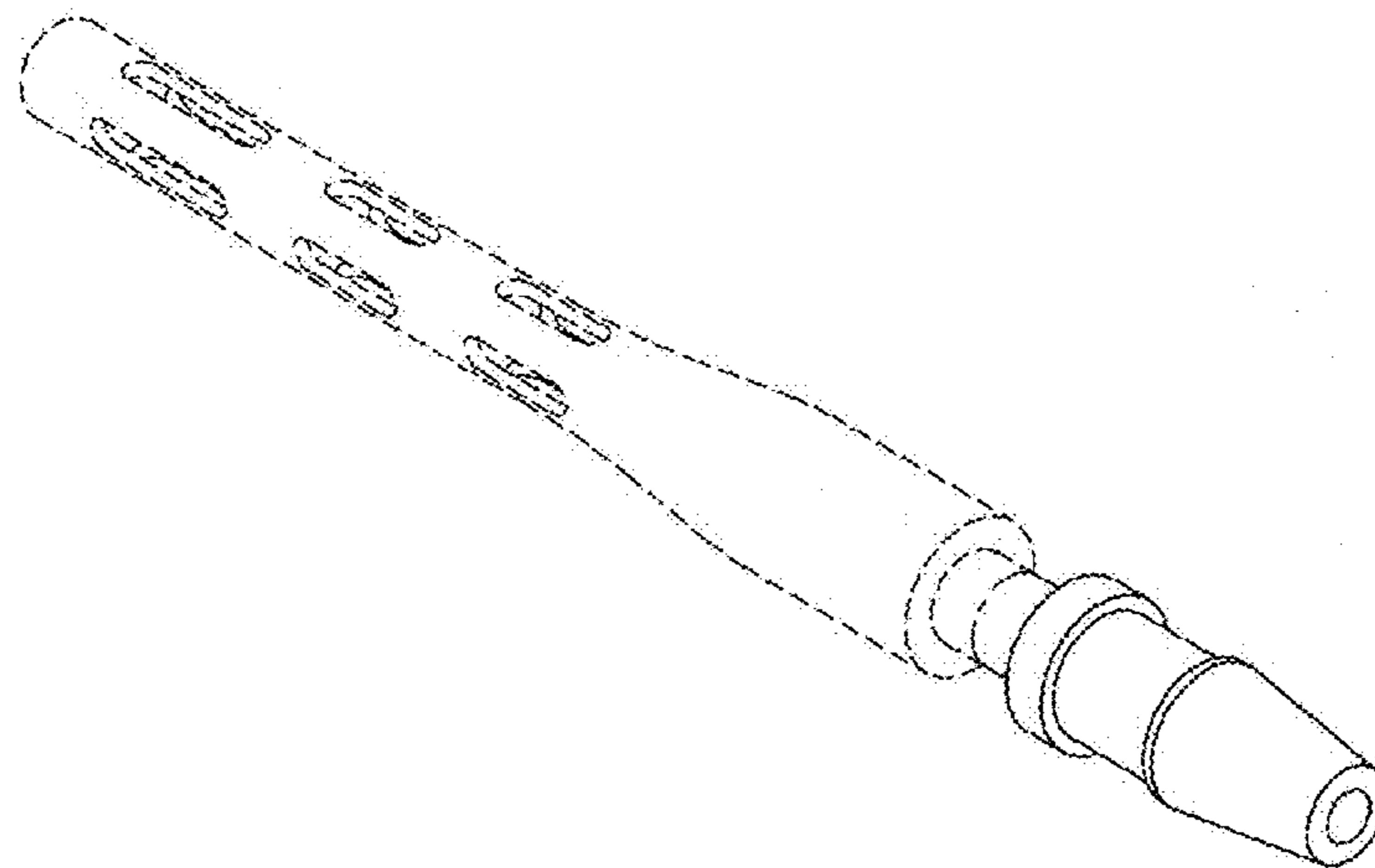
(57) **CLAIM**

The ornamental design for an aspirator head, as shown and described.

DESCRIPTION

- 1. Aspirator head
 - 1.1 : Perspective
 - 1.2 is a front view, the back view being a mirror image;
 - 1.3 is a top view, the bottom view being a mirror image;
 - 1.4 : Right
 - 1.5 : Left
 - 1.6 : Central cross-sectional view of No. 1.2
- In the reproductions the dash-dot-dash line illustrates the boundaries of the claimed design and form no part of the claimed design. Throughout the reproductions the dash-dash broken lines illustrate environment only and form no part of the claimed design.

1 Claim, 6 Drawing Sheets



(56)

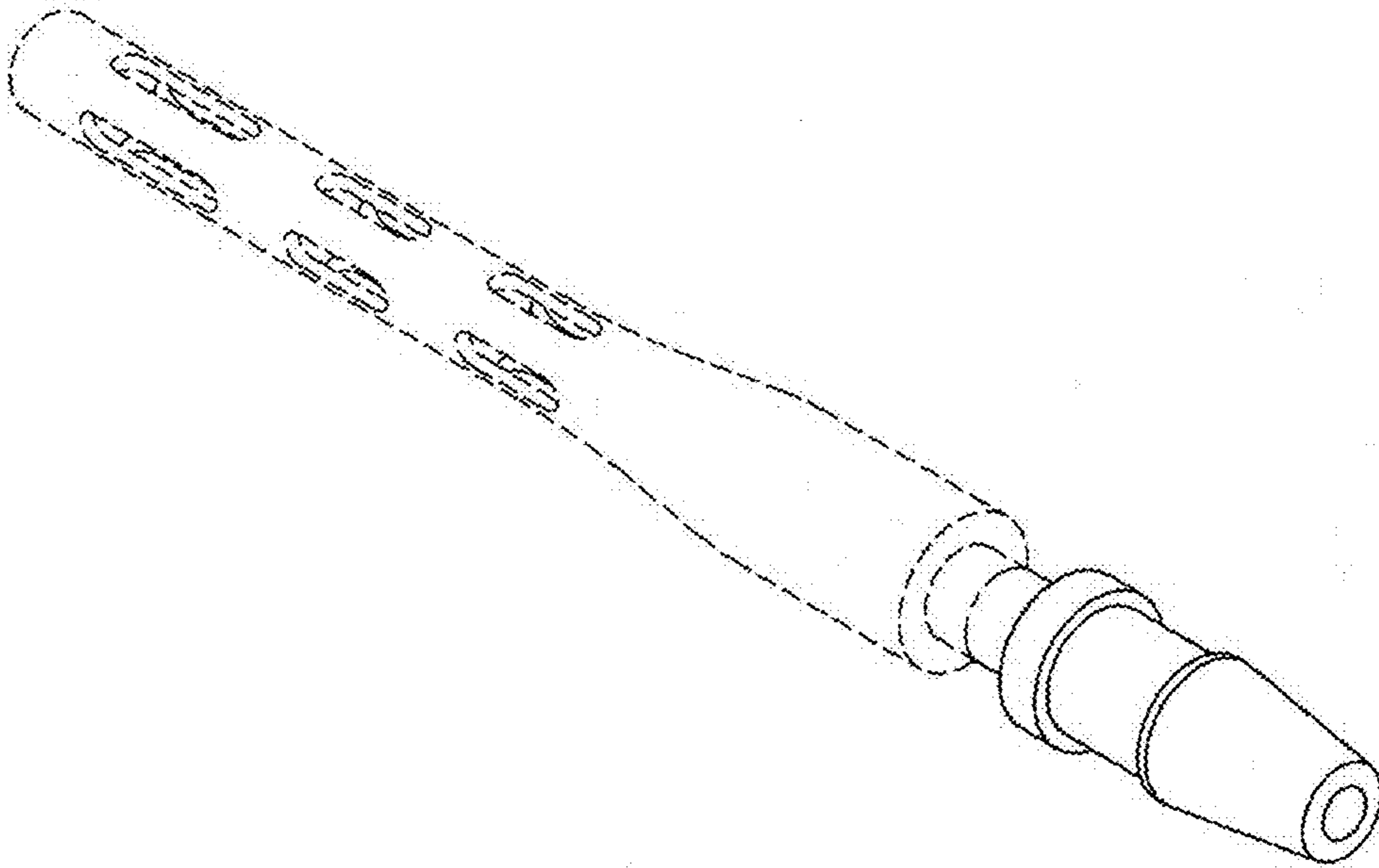
References Cited

U.S. PATENT DOCUMENTS

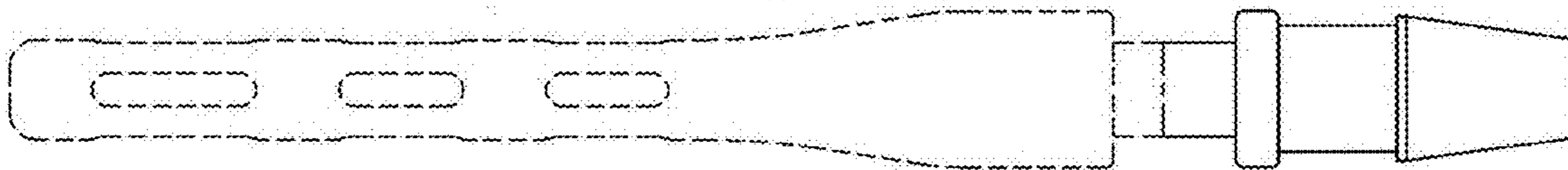
D784,556 S *	4/2017	Alden	D24/232
D785,792 S *	5/2017	Moosai	D24/133
D787,054 S *	5/2017	Rini	D24/130
D787,663 S *	5/2017	Schlueter	D24/112

* cited by examiner

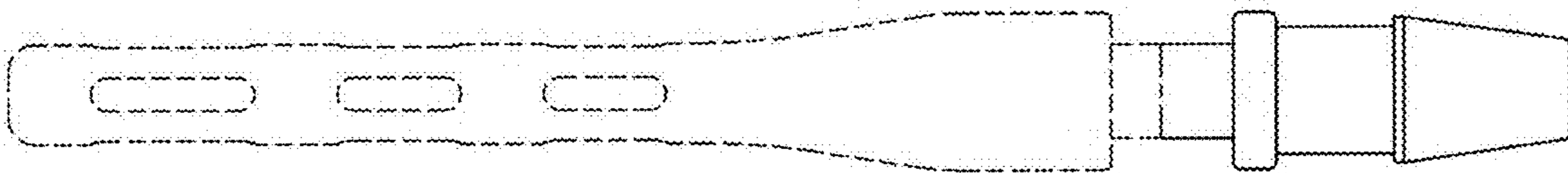
1.1



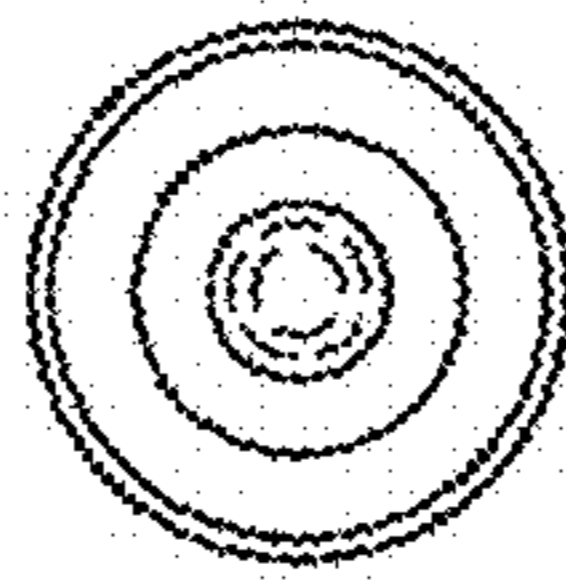
1.2



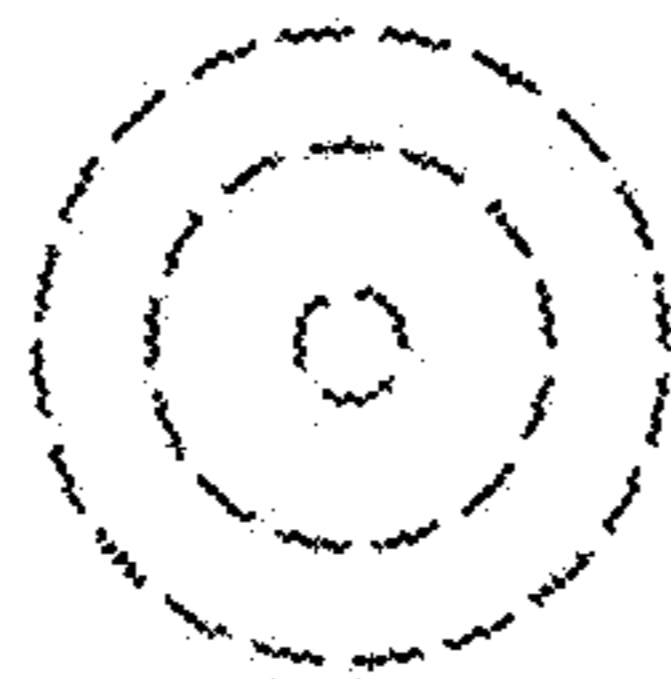
1.3



1.4



1.5



1.6

