



US00D797274S

(12) **United States Design Patent**  
**Wang**

(10) **Patent No.:** **US D797,274 S**  
(45) **Date of Patent:** **\*\* Sep. 12, 2017**

(54) **COMBINATION CEILING FAN MOTOR HOUSING, FAN BLADE AND BRACKET**

(71) Applicant: **YOUNGO LIMITED**, Hong Kong (CN)

(72) Inventor: **Cliff Wang**, Taichung (TW)

(73) Assignee: **YOUNGO LIMITED**, Hong Kong (CN)

(\*\*) Term: **15 Years**

(21) Appl. No.: **29/549,186**

(22) Filed: **Dec. 18, 2015**

(51) **LOC (10) Cl.** ..... **23-03**

(52) **U.S. Cl.**  
USPC ..... **D23/413; D23/411**

(58) **Field of Classification Search**  
USPC ..... D12/214; D23/355, 370-387, 411-414; D26/59  
CPC ..... F04D 25/088; F21V 33/0096  
See application file for complete search history.

(56) **References Cited**

**U.S. PATENT DOCUMENTS**

D417,494 S *	12/1999	Evans	.....	D23/377
D480,796 S *	10/2003	Young	.....	D23/411
D481,450 S *	10/2003	Young	.....	D23/377
D490,515 S *	5/2004	Young	.....	D23/411
6,884,035 B2 *	4/2005	Young	.....	F04D 29/34 29/889.21
D516,197 S *	2/2006	Young	.....	D23/411

**OTHER PUBLICATIONS**

Fanimation Odyn 84" 9 Blade DC Ceiling Fan, posted date unknown, houzz.com, site visited Jan. 30, 2017, Copyright © 2017, Available from Internet, <<http://www.houzz.com/photos/15274091/Fanimation-Odyn-84-9-Blade-DC-Ceiling-Fan-Blades-LED-Light-Kit-and-Remote-C-modern-ceiling-fans>>.\*

\* cited by examiner

*Primary Examiner* — Cathron Brooks

*Assistant Examiner* — Sharon S Oum

(74) *Attorney, Agent, or Firm* — Pai Patent & Trademark Law Firm; Chao-Chang David Pai

(57) **CLAIM**

The ornamental design for a combination ceiling fan motor housing, fan blade and bracket, as shown and described.

**DESCRIPTION**

FIG. 1 is a front top perspective view of a combination ceiling fan motor housing, fan blade and bracket showing my new design;

FIG. 2 is a front elevational view thereof;

FIG. 3 is a rear elevational view thereof;

FIG. 4 is a left side elevational view thereof;

FIG. 5 is a right side elevational view thereof;

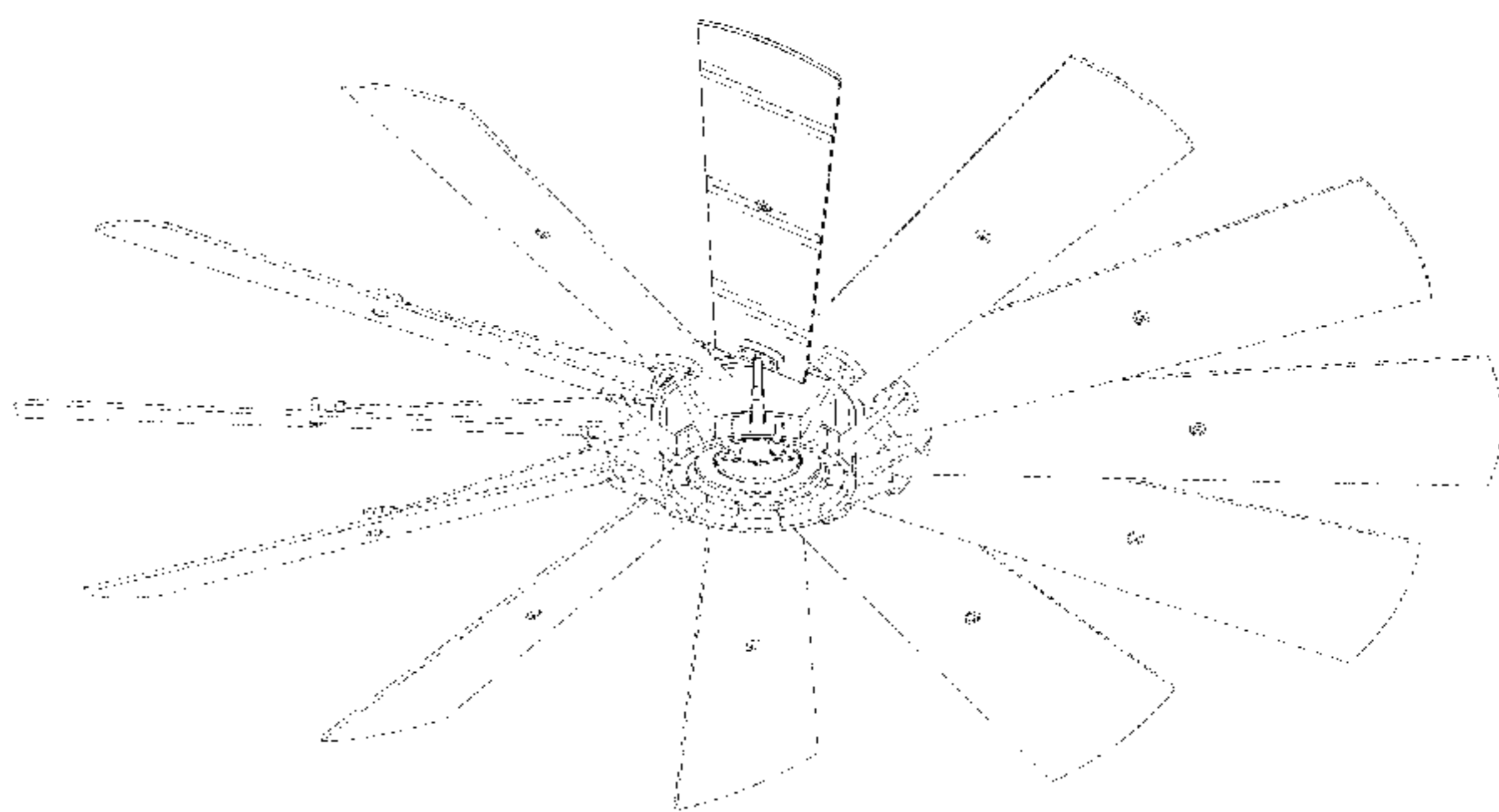
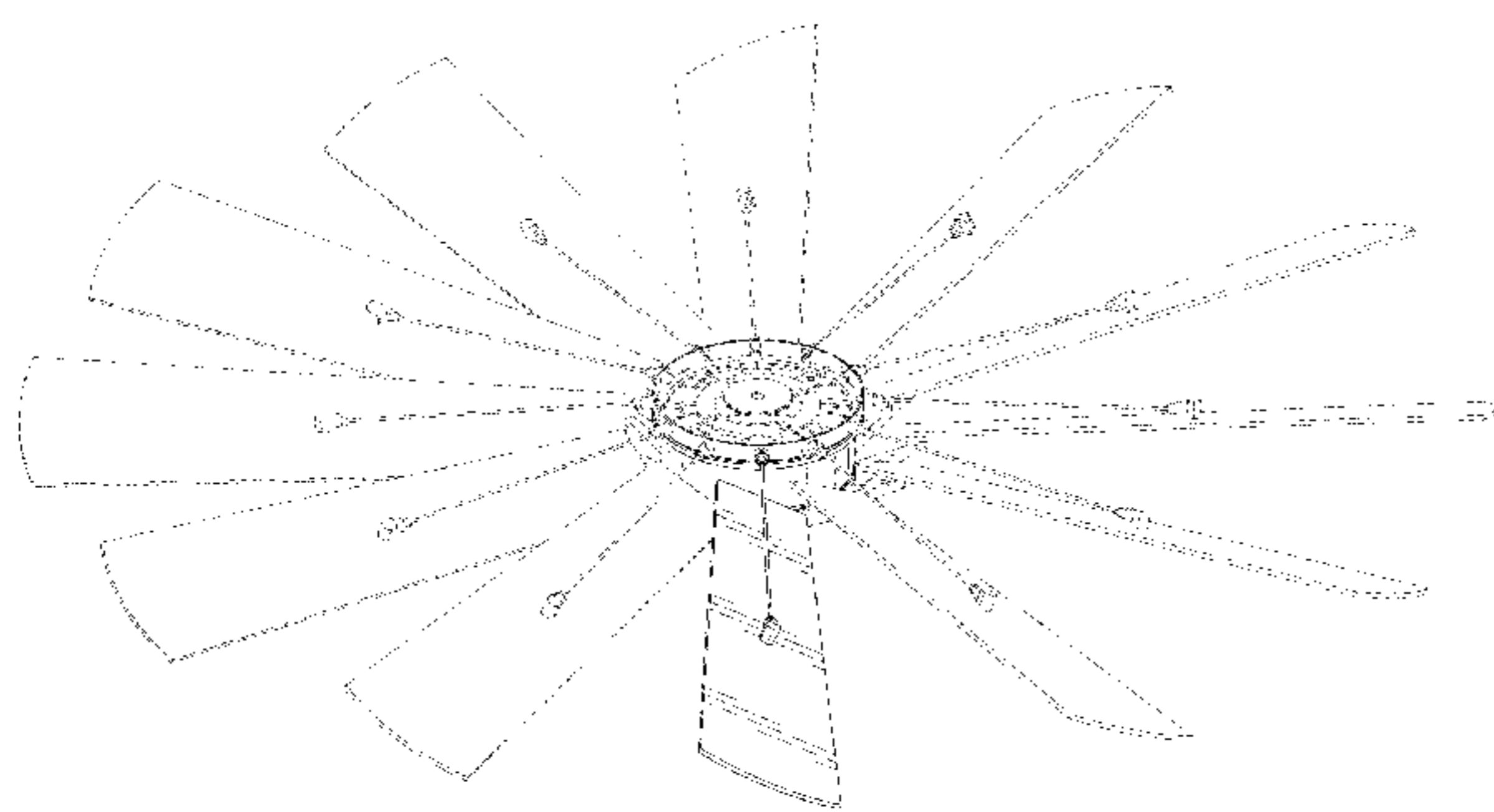
FIG. 6 is a top plan view thereof;

FIG. 7 is a bottom plan view thereof; and,

FIG. 8 is a front bottom perspective view thereof.

The broken lines are for the purpose of illustrating environmental structure and form no part of the claimed design.

**1 Claim, 6 Drawing Sheets**



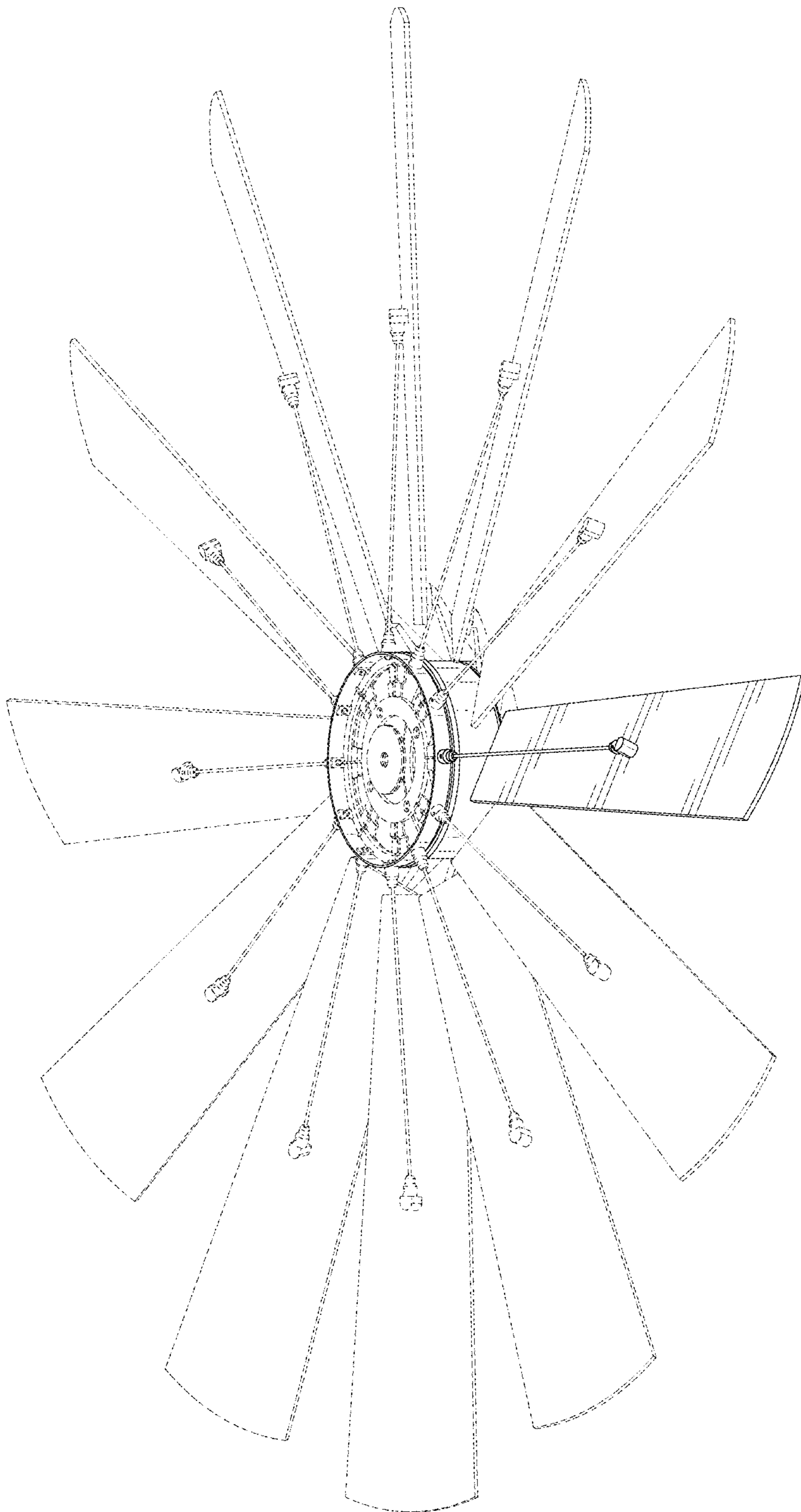


FIG. 1

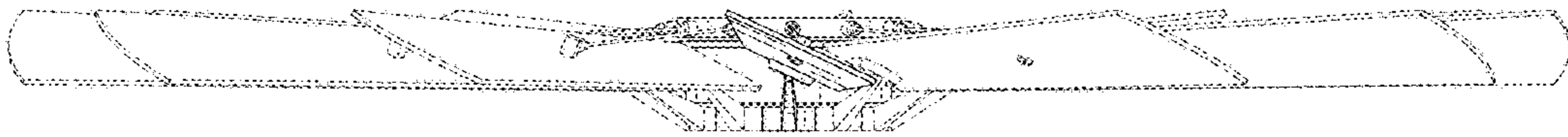


FIG. 2



FIG. 3

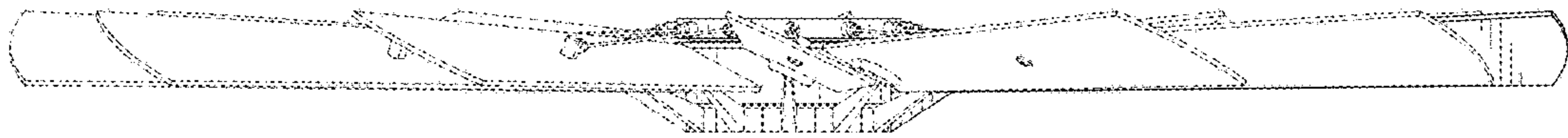


FIG. 4



FIG. 5

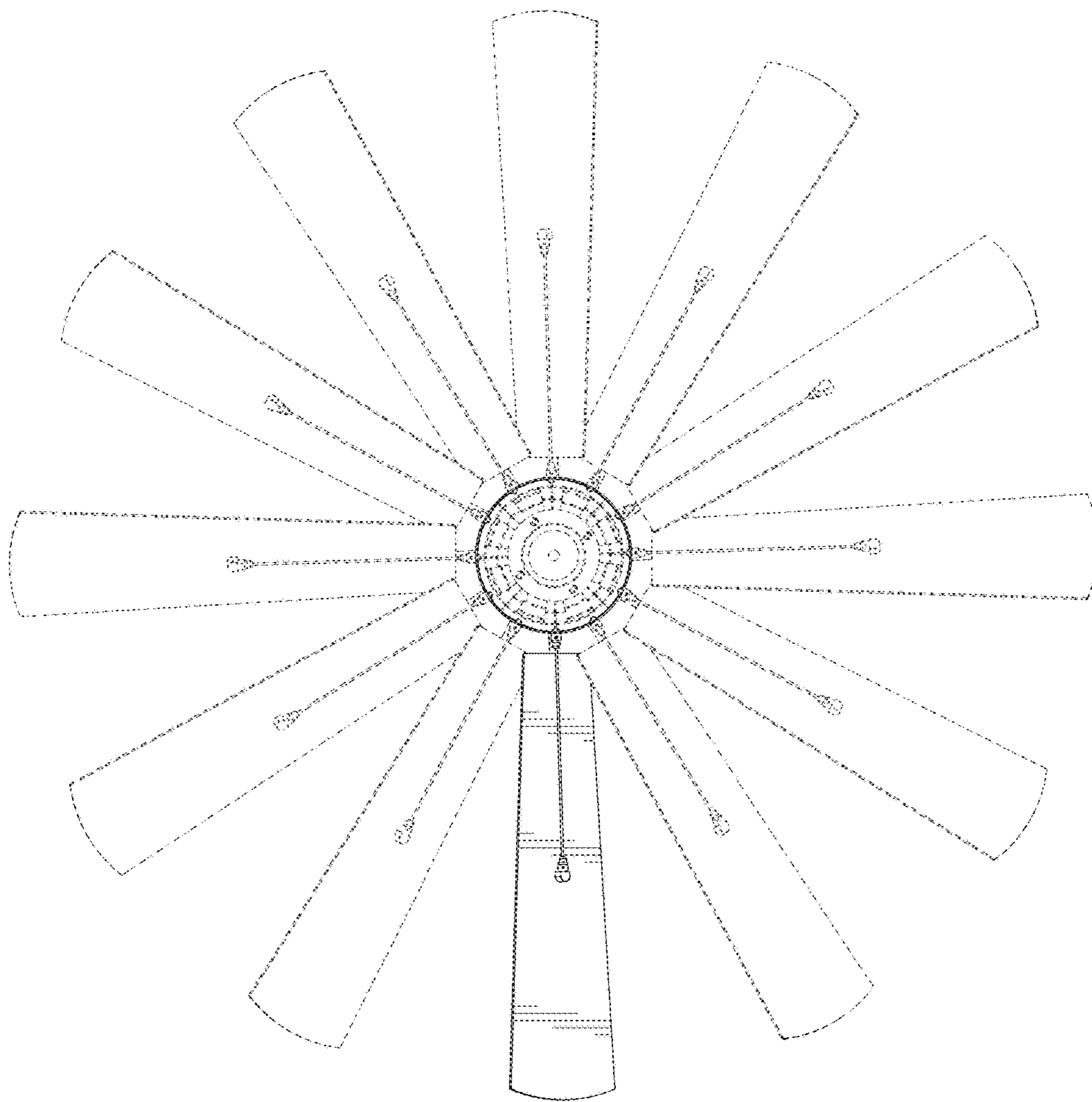


FIG. 6

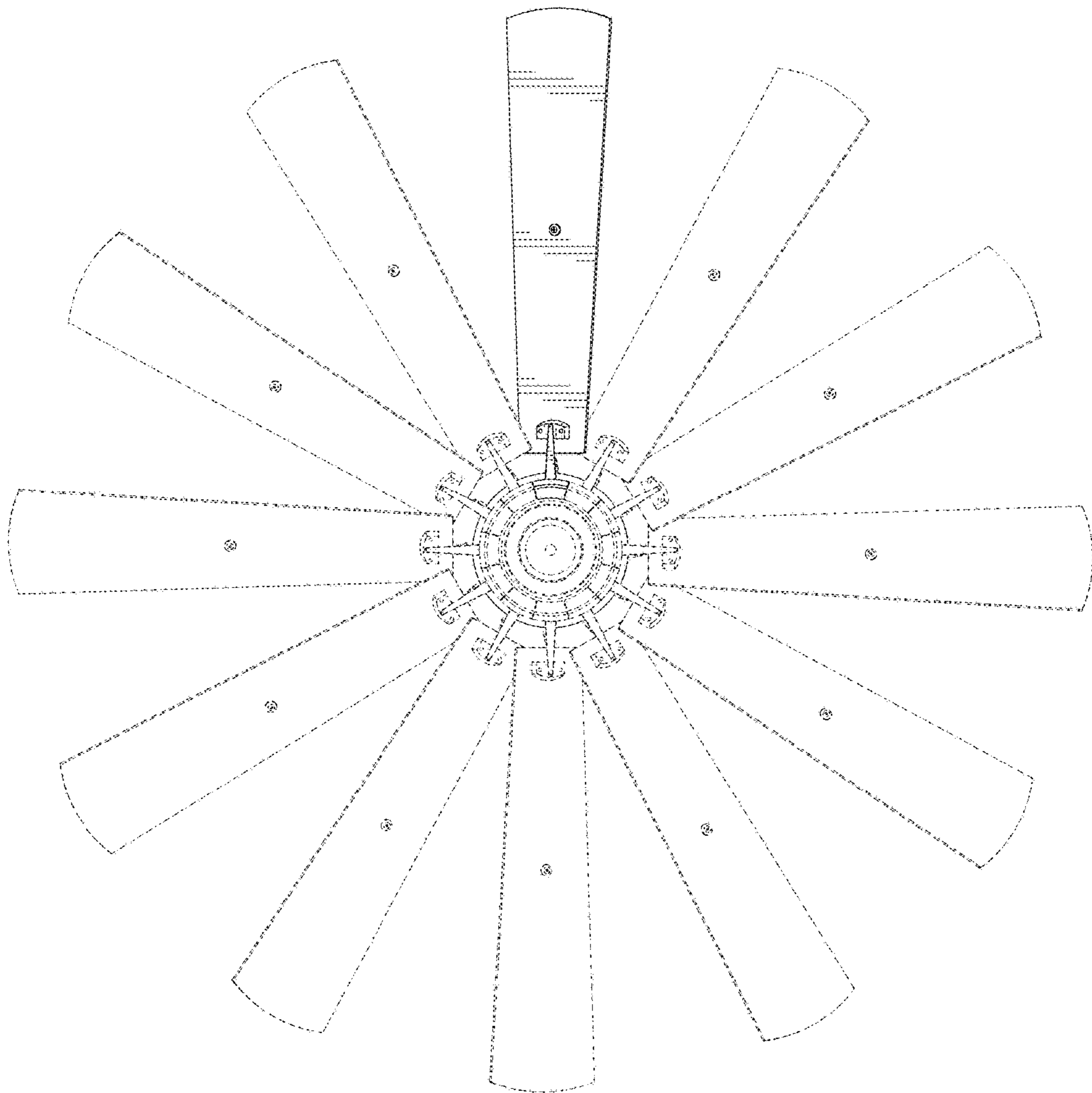


FIG. 7

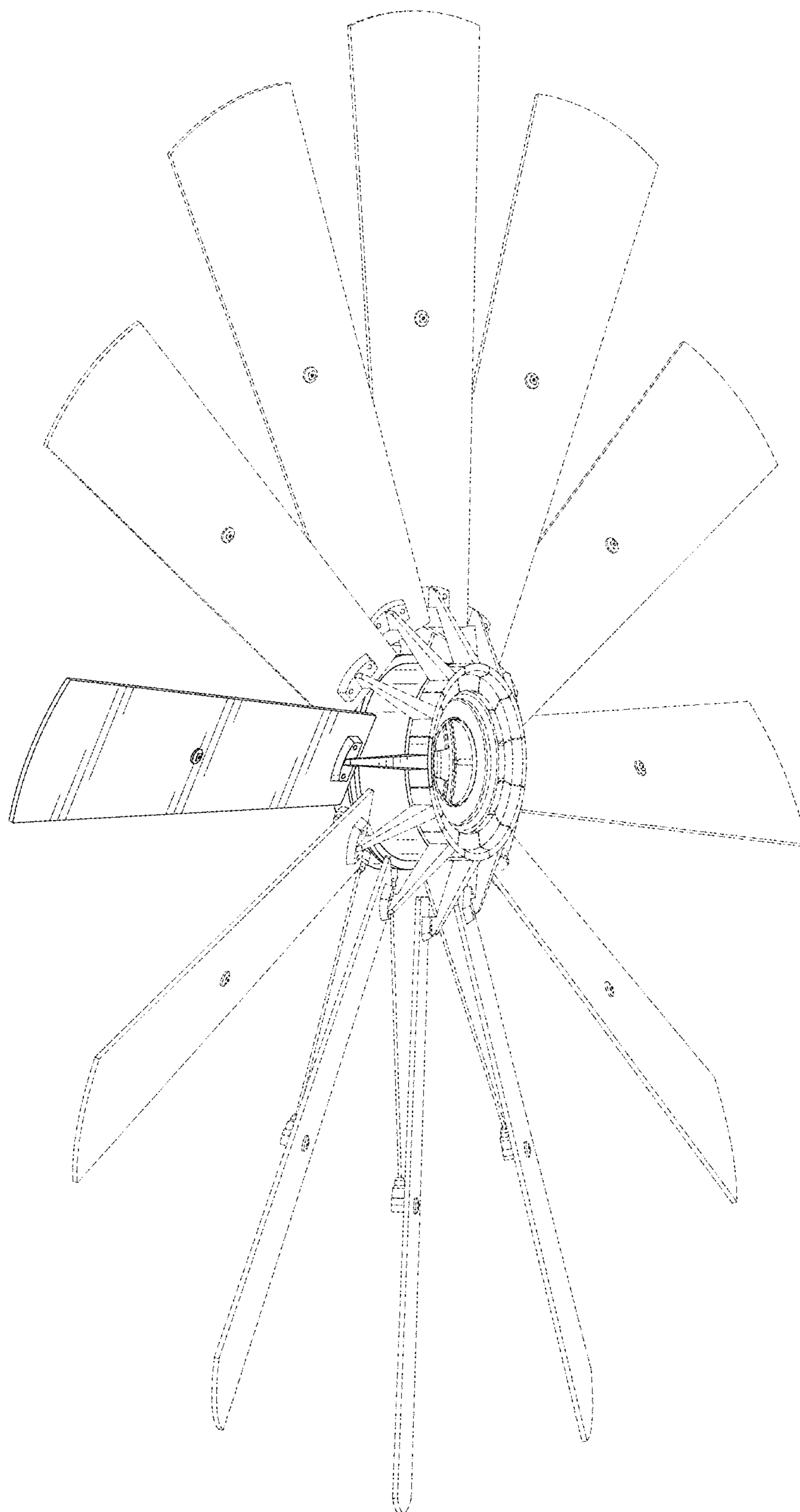


FIG. 8