

US00D797269S

(12) **United States Design Patent**
Kudo et al.

(10) **Patent No.:** **US D797,269 S**
(45) **Date of Patent:** **** Sep. 12, 2017**

(54) **OUTDOOR UNIT FOR AIR CONDITIONER**

FOREIGN PATENT DOCUMENTS

(71) Applicant: **MITSUBISHI ELECTRIC CORPORATION**, Tokyo (JP)

JP 1465615 S 4/2013
JP 1472311 S 6/2013
JP 1473939 S 7/2013

(72) Inventors: **Jumpei Kudo**, Tokyo (JP); **Tatsunori Sakai**, Tokyo (JP); **Kota Morimoto**, Tokyo (JP); **Ryo Oya**, Tokyo (JP); **Haruo Nakano**, Tokyo (JP); **Shigeru Hata**, Tokyo (JP); **Yo Kitabatake**, Tokyo (JP)

Primary Examiner — George D. Kirschbaum
Assistant Examiner — Natasha Vujcic
(74) *Attorney, Agent, or Firm* — Studebaker & Brackett PC

(73) Assignee: **Mitsubishi Electric Corporation**, Tokyo (JP)

(57) **CLAIM**

The ornamental design for the outdoor unit for air conditioner, as shown and described.

(**) Term: **15 Years**

DESCRIPTION

(21) Appl. No.: **29/578,503**

(22) Filed: **Sep. 22, 2016**

(30) **Foreign Application Priority Data**

May 19, 2016 (JP) 2016-010648
May 19, 2016 (JP) 2016-010649

(51) **LOC (10) Cl.** **23-04**

(52) **U.S. Cl.**
USPC **D23/351**

(58) **Field of Classification Search**
USPC D23/333, 335, 341, 342, 351, 353, 354,
D23/355, 356, 359, 364, 365, 370, 385,
D23/386, 388, 393

(Continued)

(56) **References Cited**

U.S. PATENT DOCUMENTS

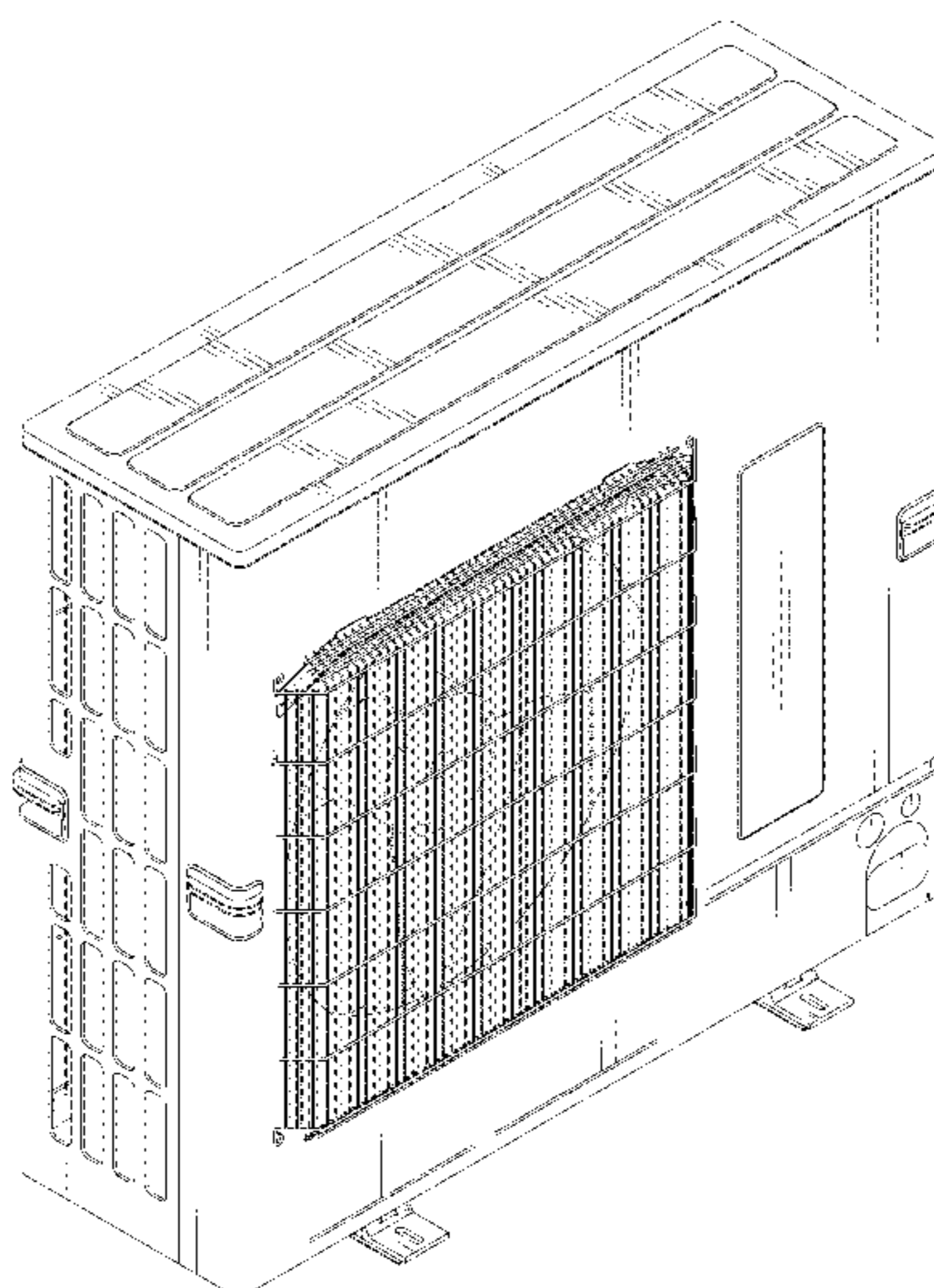
D443,349 S * 6/2001 Nonaka D23/351
D493,215 S * 7/2004 Asaoka D23/351

(Continued)

FIG. 1 is a perspective view of the front, left and top sides of an outdoor unit for air conditioner of a first embodiment showing our new design;
FIG. 2 is a perspective view of the rear, right and top sides thereof;
FIG. 3 is a front view thereof;
FIG. 4 is a rear view thereof;
FIG. 5 is a left side view thereof;
FIG. 6 is a right side view thereof;
FIG. 7 is a top view thereof;
FIG. 8 is a bottom view thereof;
FIG. 9 is a perspective view of the front, left and top sides of an outdoor unit for air conditioner of a second embodiment showing our new design;
FIG. 10 is a perspective view of the rear, right and top sides thereof;
FIG. 11 is a front view thereof;
FIG. 12 is a rear view thereof;
FIG. 13 is a left side view thereof;
FIG. 14 is a right side view thereof;
FIG. 15 is a top view thereof; and,
FIG. 16 is a bottom view thereof.

The broken line showing of the outdoor unit for air conditioner is included for the purpose of illustrating portions of the outdoor unit for air conditioner and forms no part of the claimed design.

1 Claim, 16 Drawing Sheets



(58) **Field of Classification Search**

CPC F24F 1/00; F24F 1/0007; F24F 1/02; F24F
1/08; F24F 1/42; F24F 1/56; F24F 1/60;
F24F 3/044; F24F 3/048; F24F 3/16;
F24F 7/00; F24F 7/04; F24F 12/001;
F24F 12/006

See application file for complete search history.

(56) **References Cited**

U.S. PATENT DOCUMENTS

| | | | | | | |
|--------------|----|---|---------|------------|-------|----------------------|
| D497,983 | S | * | 11/2004 | Nanjo | | D23/351 |
| D532,503 | S | * | 11/2006 | Shimizu | | D23/351 |
| D532,889 | S | * | 11/2006 | Shimizu | | D23/351 |
| D553,725 | S | * | 10/2007 | Shimizu | | D23/351 |
| D579,536 | S | * | 10/2008 | Oh | | D23/351 |
| D584,388 | S | * | 1/2009 | Chooji | | D23/351 |
| D683,834 | S | * | 6/2013 | Katou | | D23/351 |
| D700,304 | S | * | 2/2014 | Ikegaya | | D23/351 |
| D715,909 | S | * | 10/2014 | Shiota | | D23/351 |
| 2016/0146512 | A1 | * | 5/2016 | Kitabatake | | F25B 13/00 62/498 |

* cited by examiner

Fig. 1

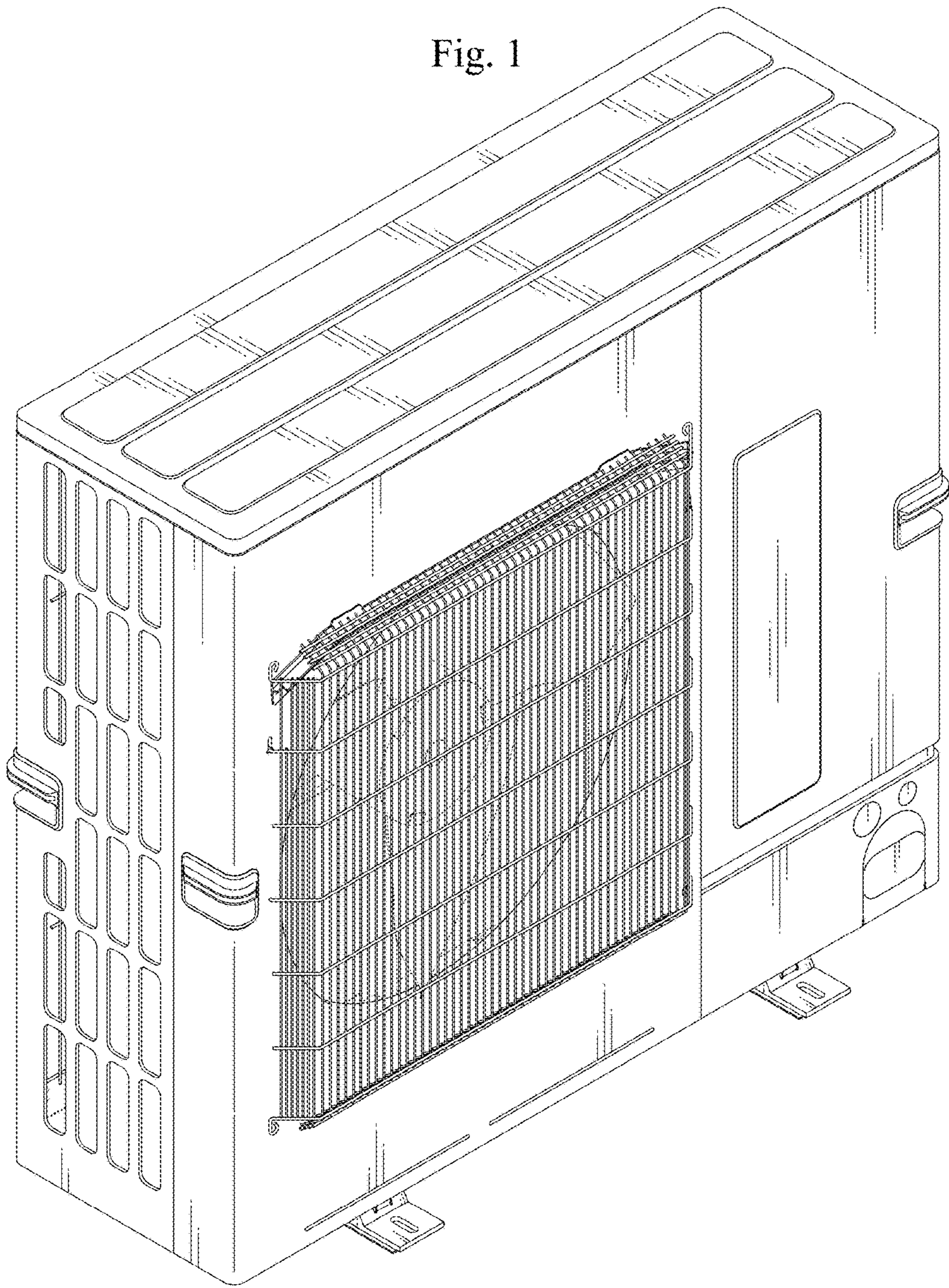


Fig. 2

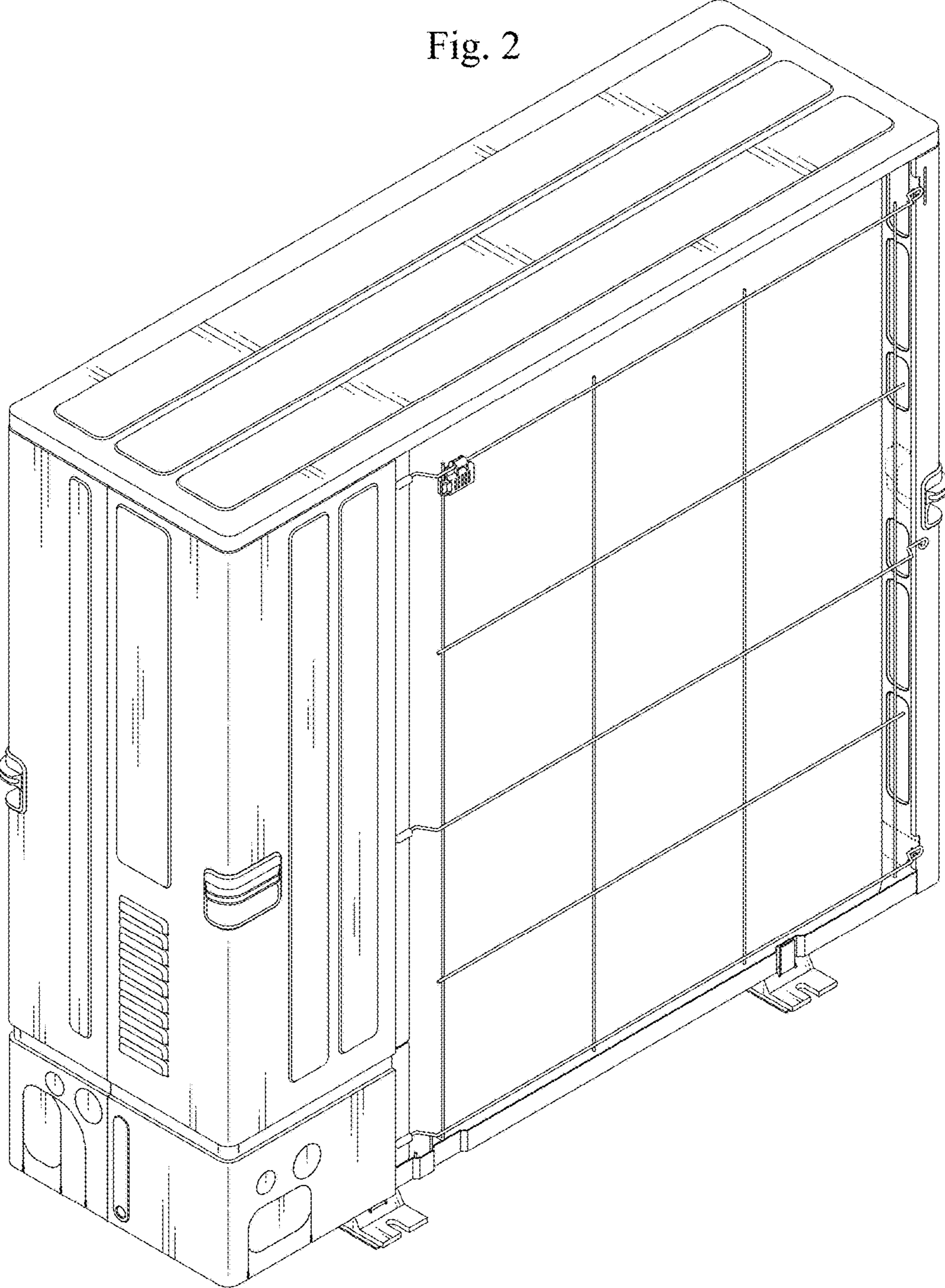


Fig. 3

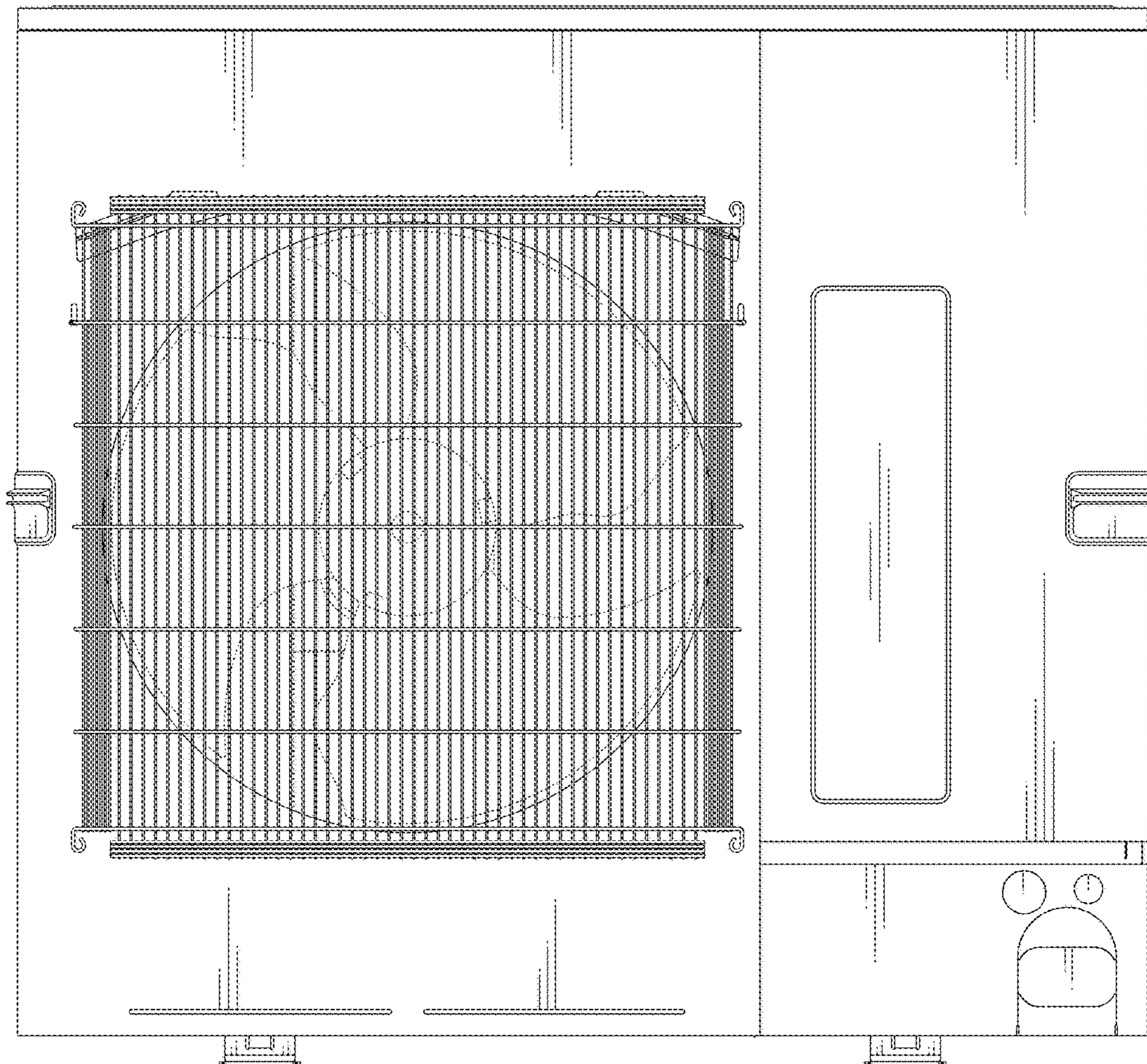


Fig. 4

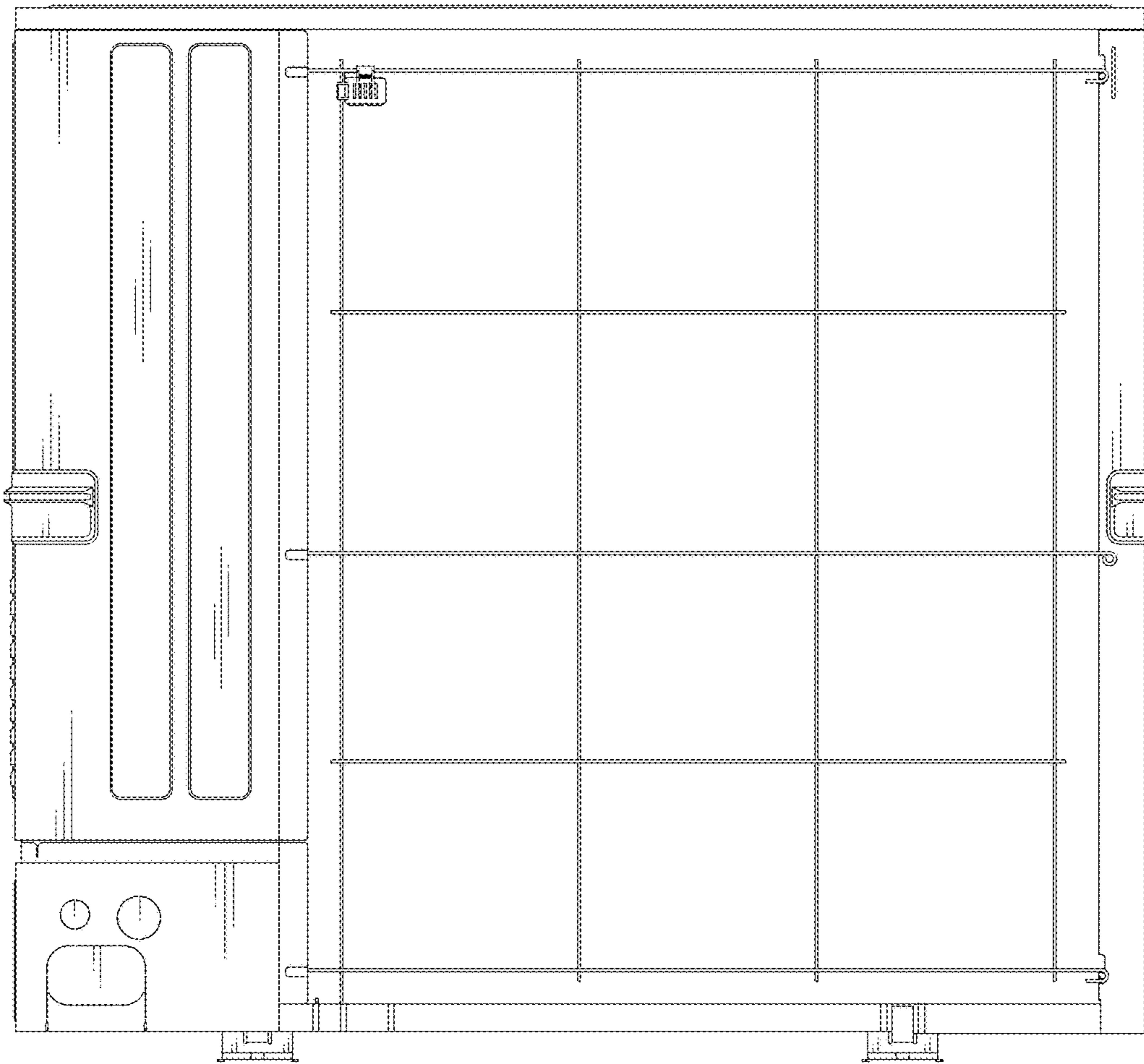


Fig. 5

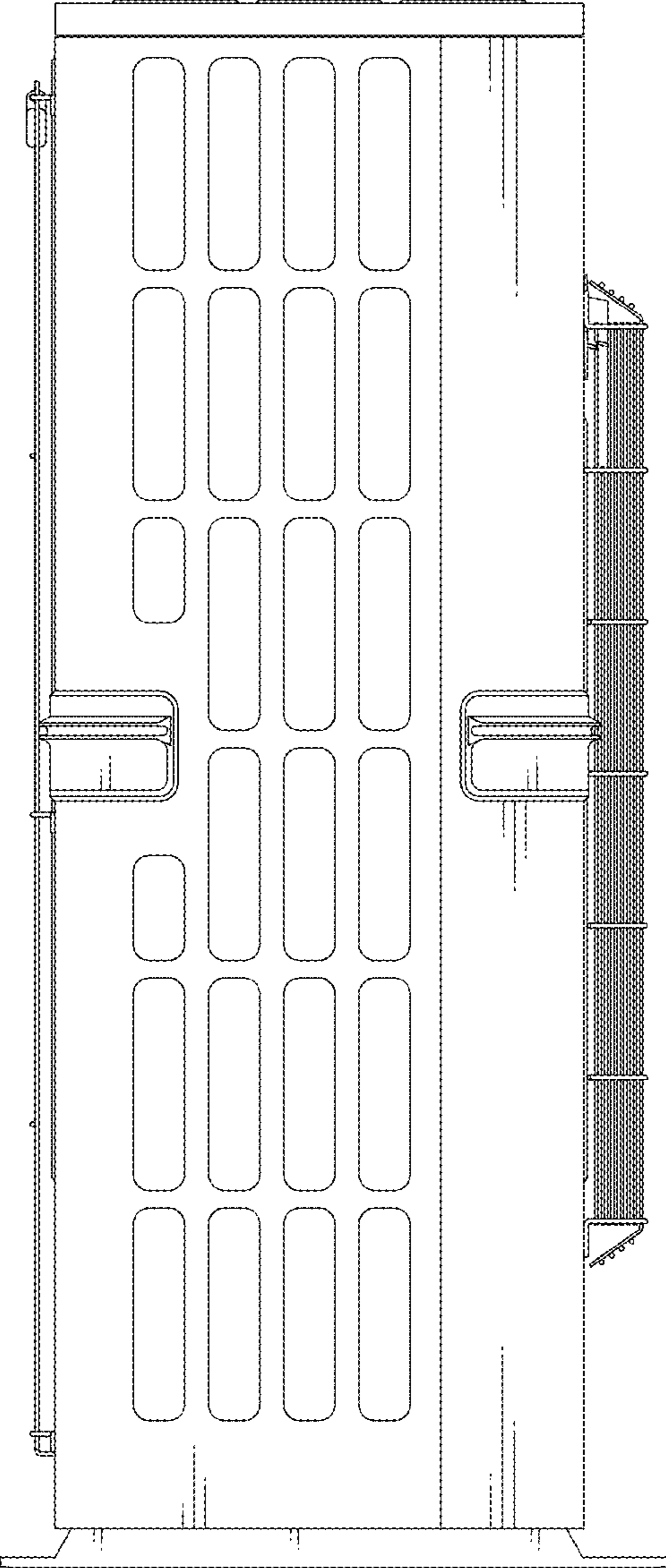


Fig. 6

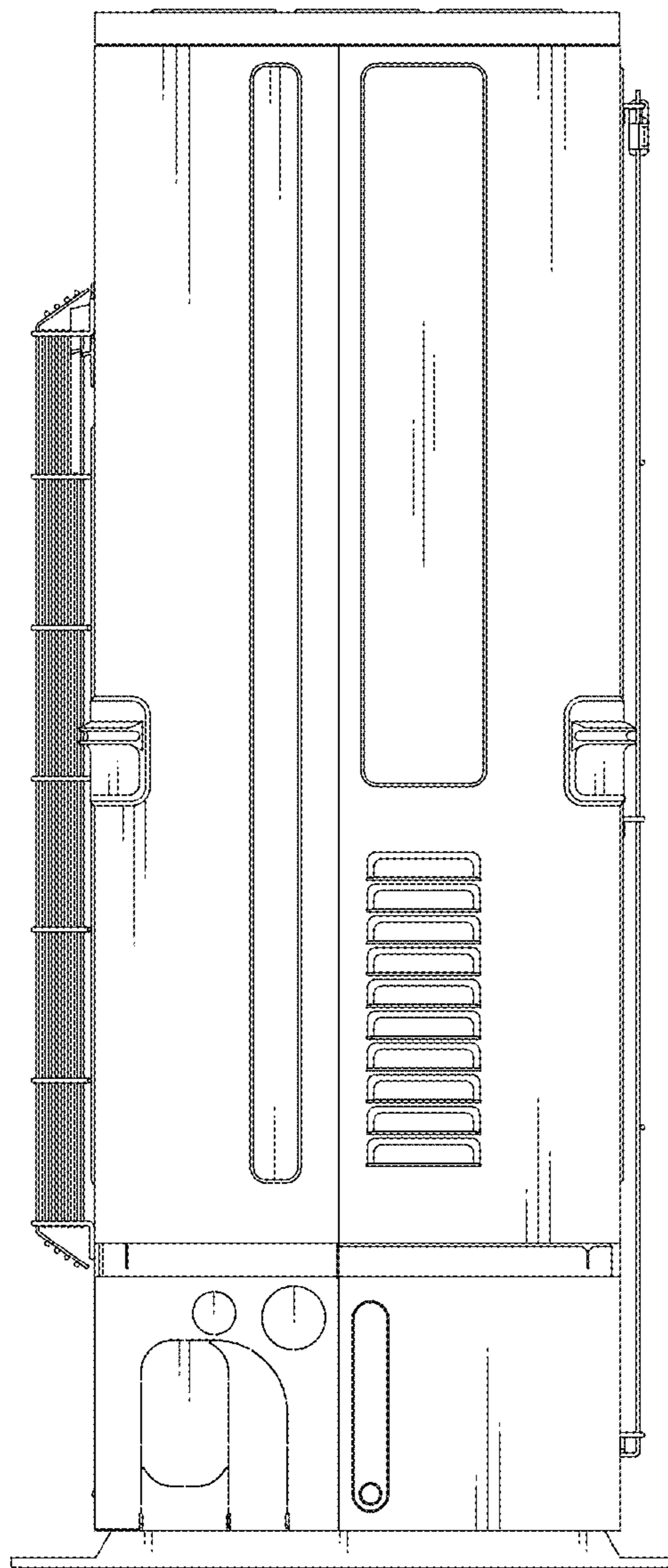


Fig. 7

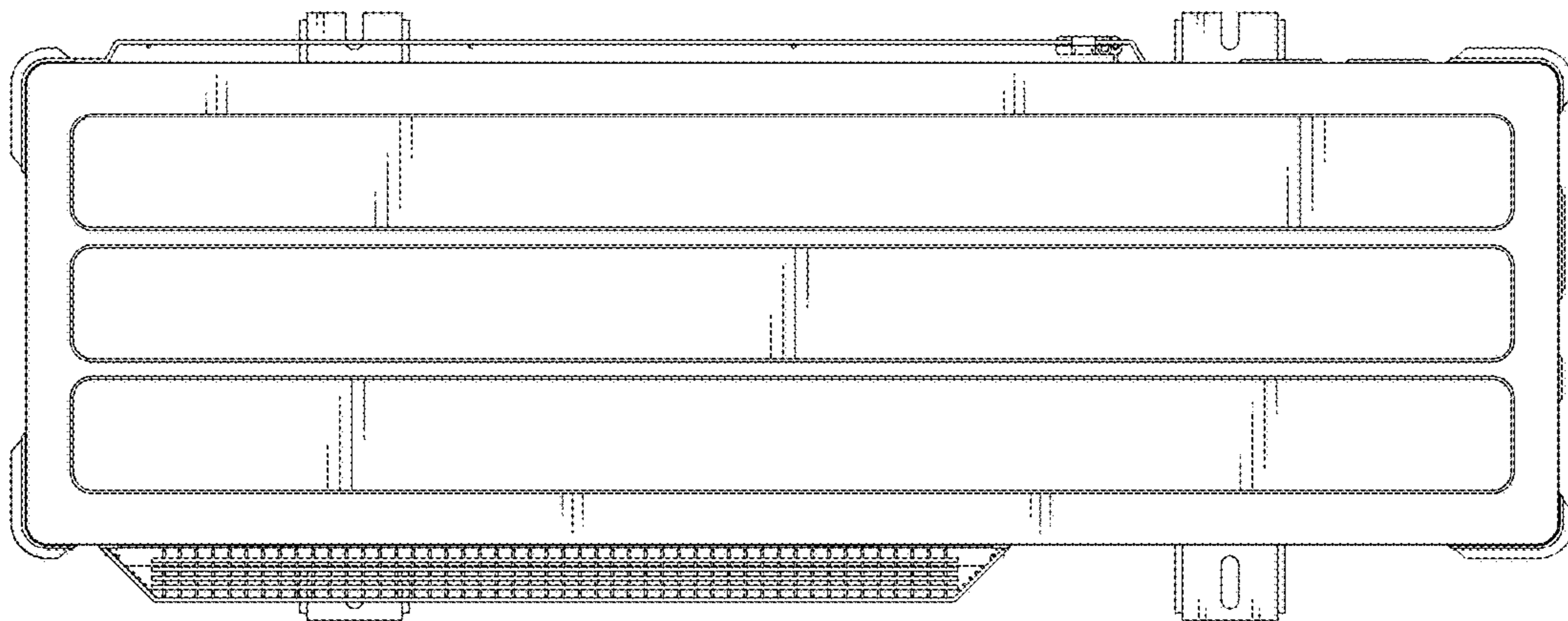


Fig. 8

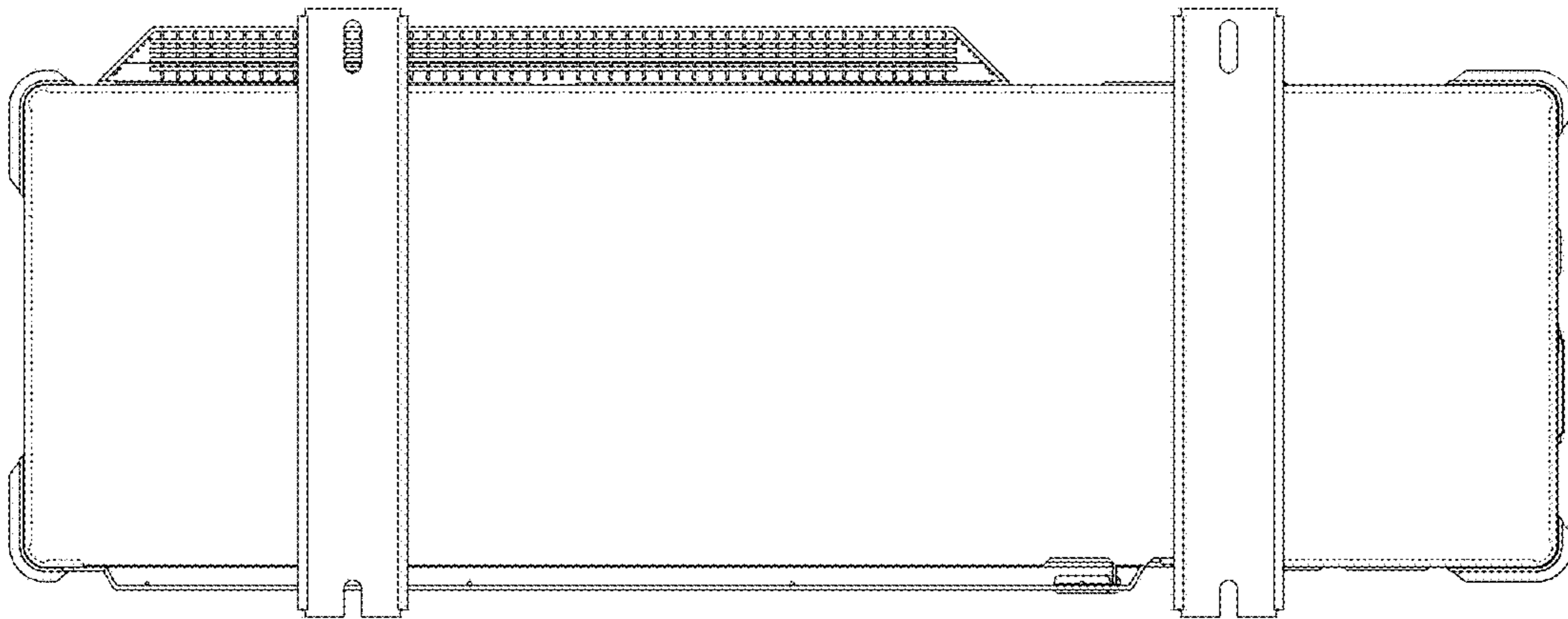


Fig. 9

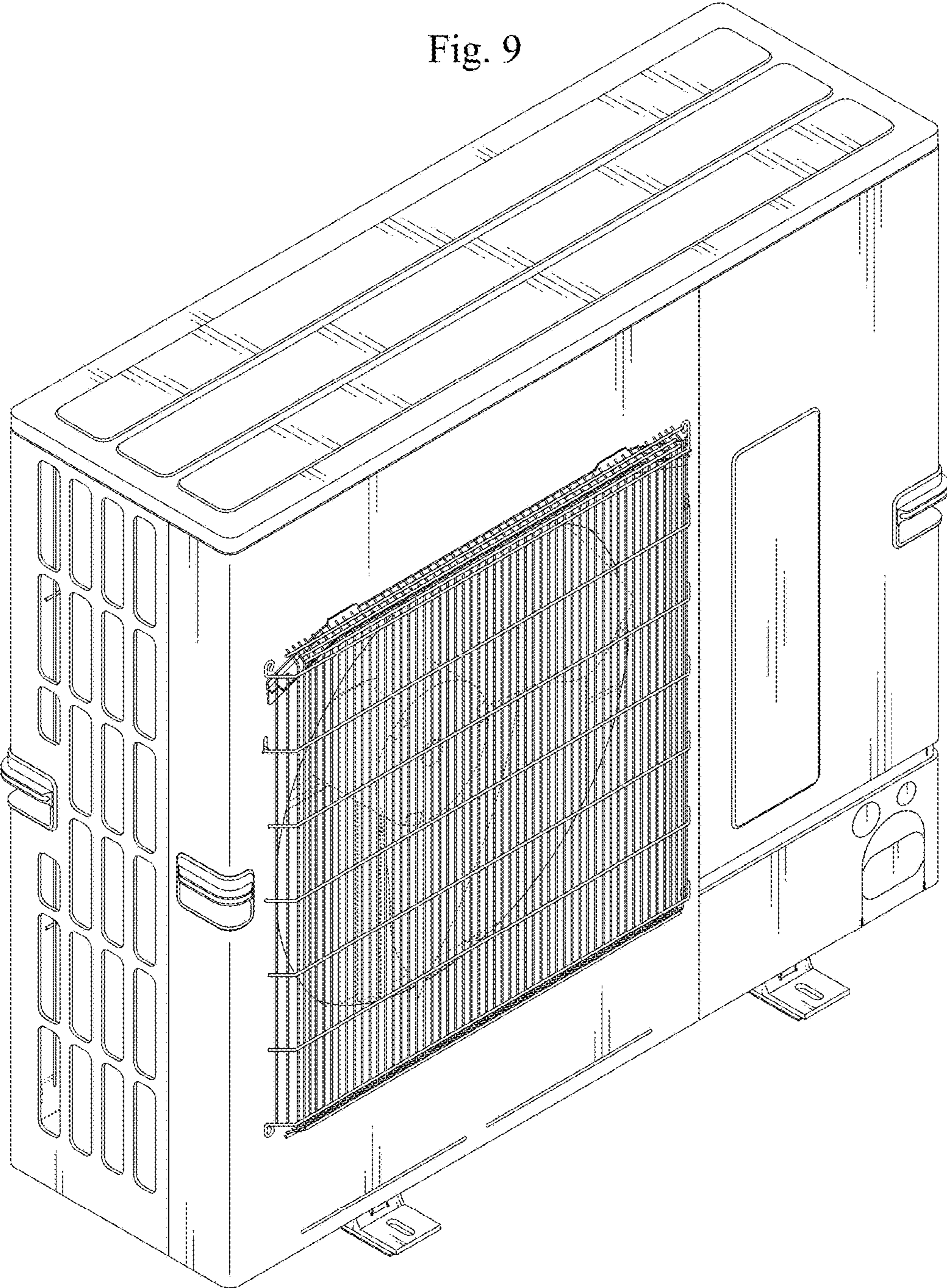


Fig. 10

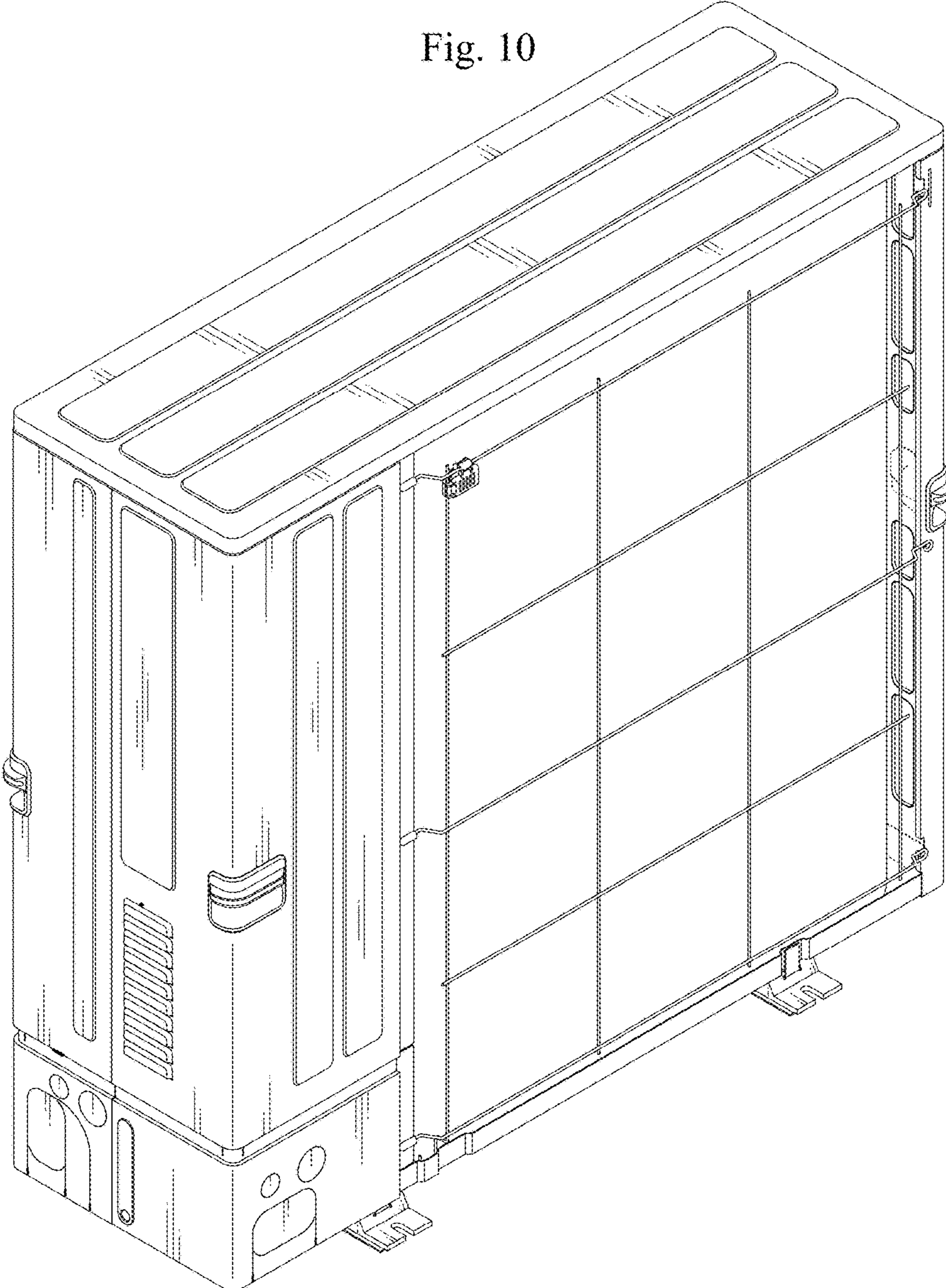


Fig. 11

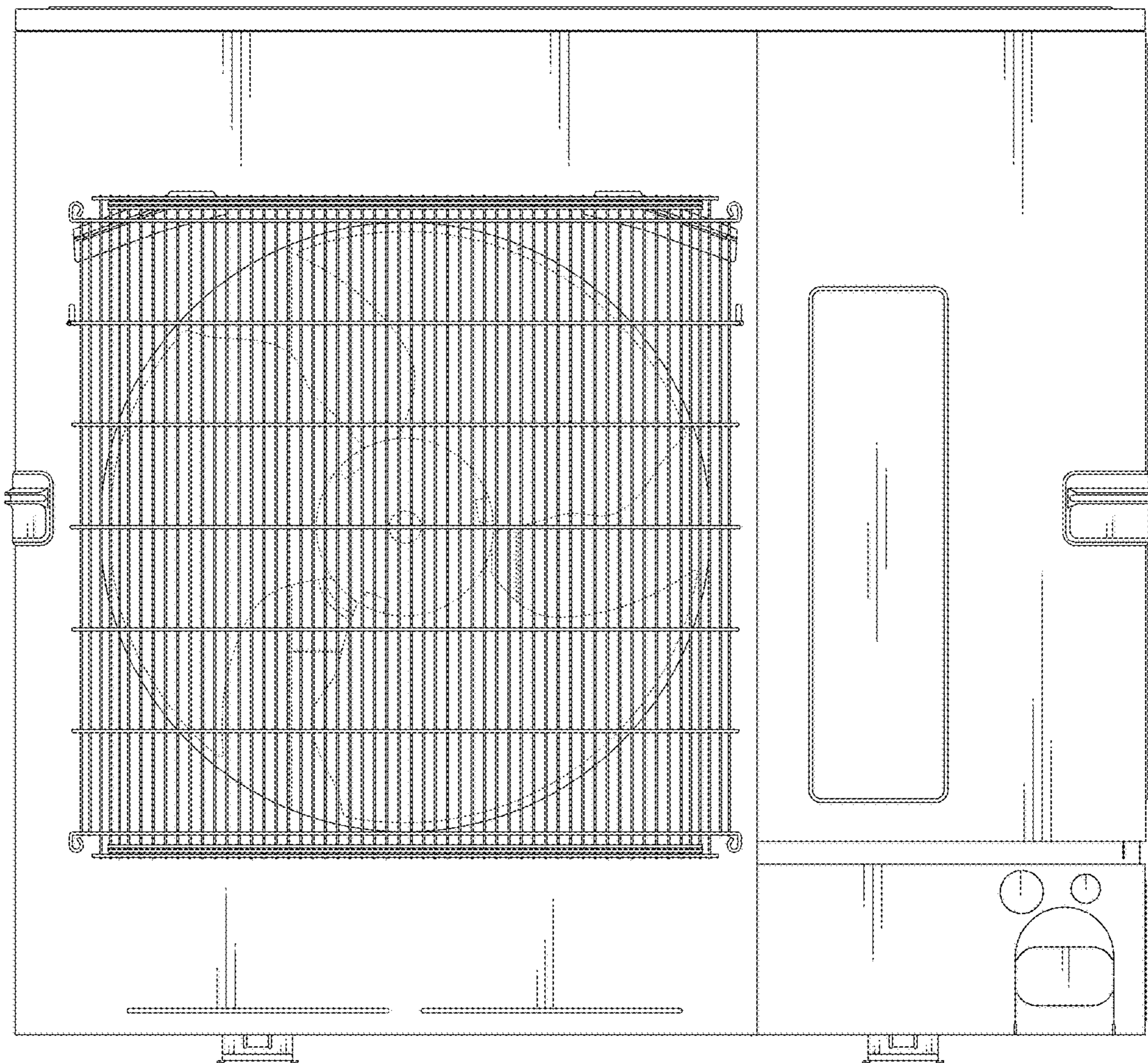


Fig. 12

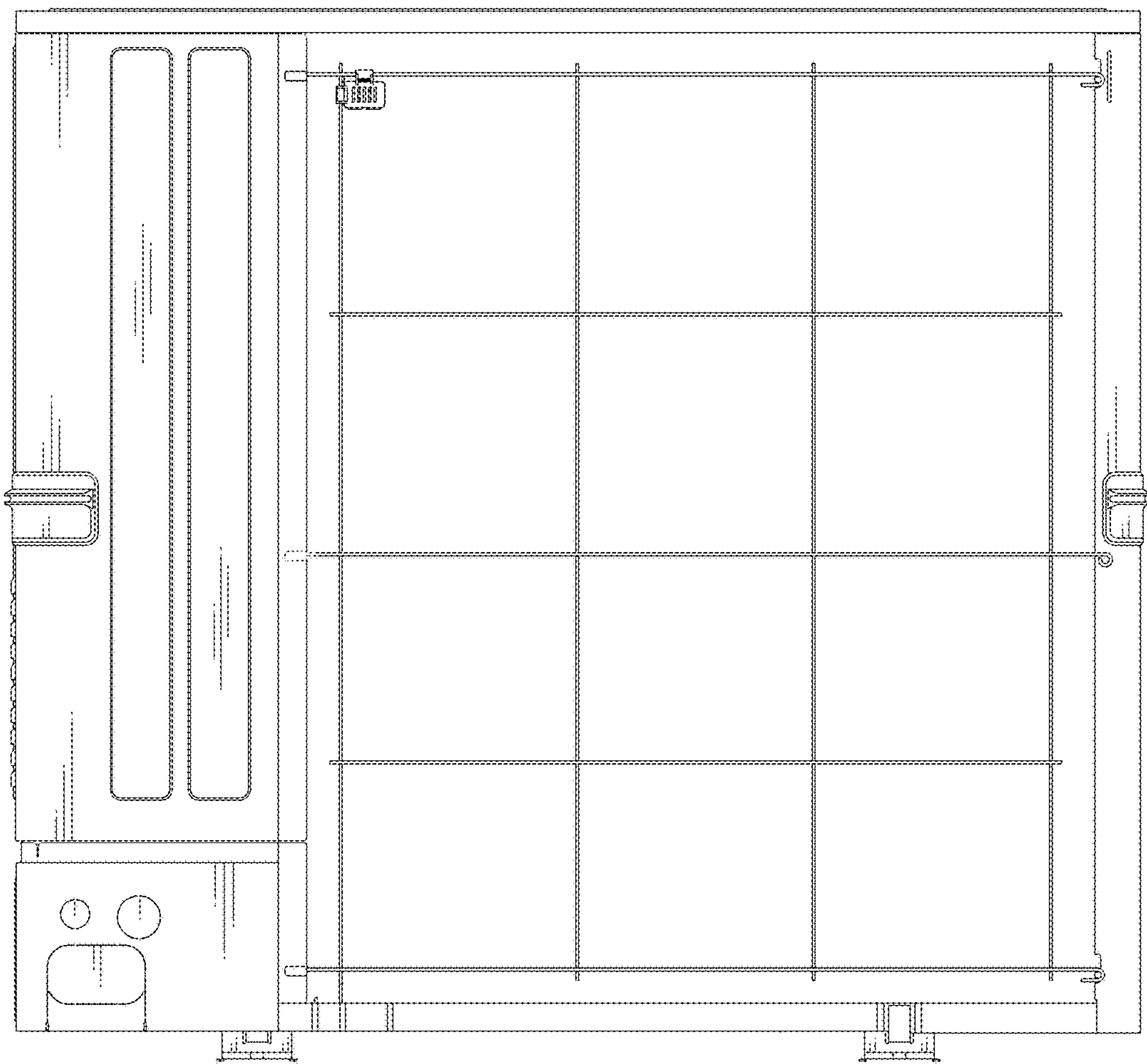


Fig. 13

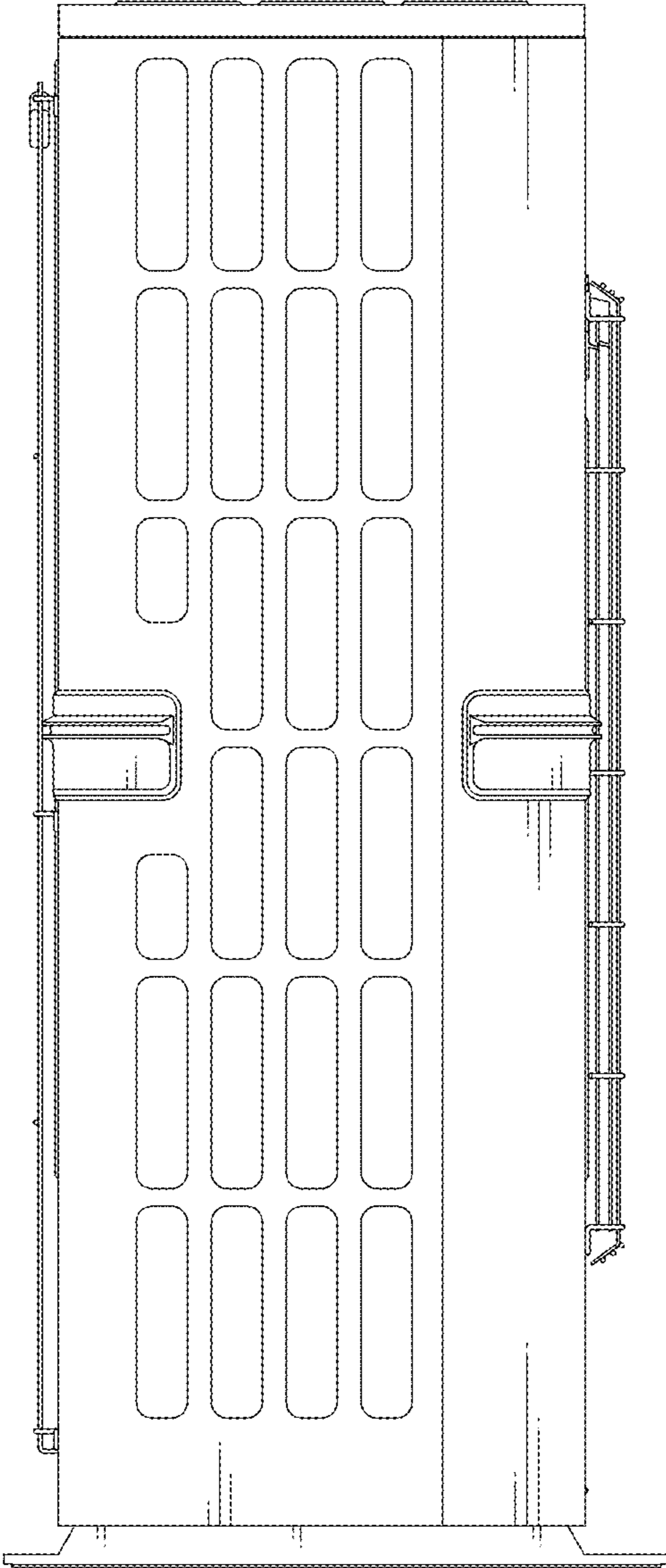


Fig. 14

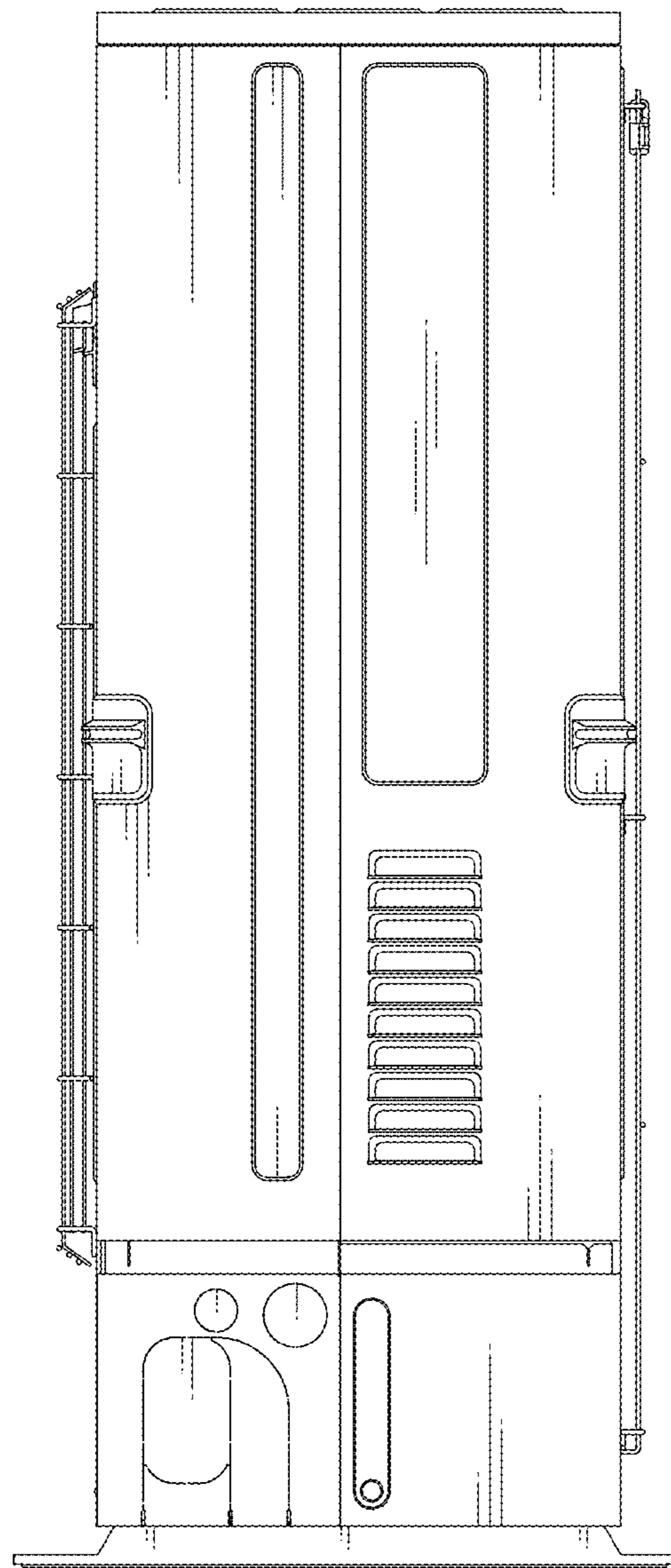


Fig. 15

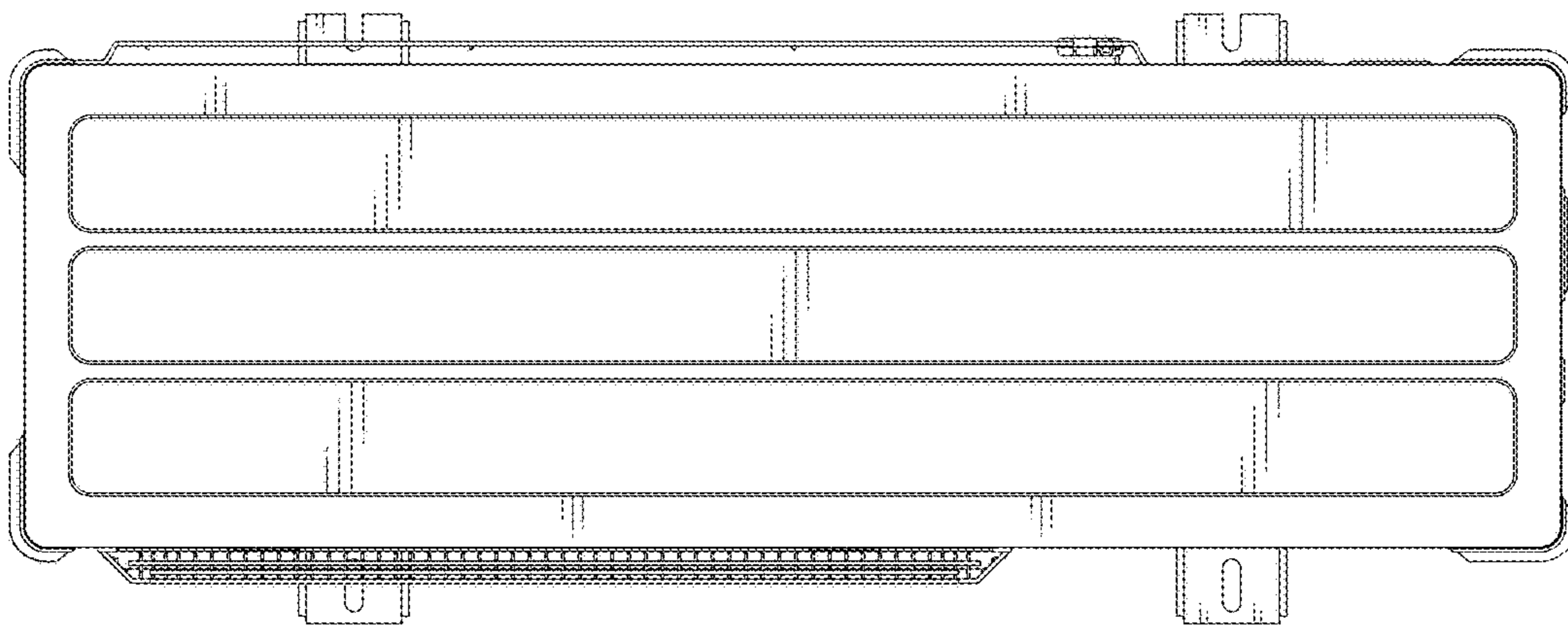


Fig. 16

