



US00D797266S

(12) **United States Design Patent** (10) **Patent No.:** **US D797,266 S**  
**Stafford et al.** (45) **Date of Patent:** **\*\* Sep. 12, 2017**

- (54) **BATHTUB CLOSURE**
- (71) Applicant: **Safeway Safety Step, LLC**, West Chester, OH (US)
- (72) Inventors: **Christopher Brian Stafford**, Liberty Township, OH (US); **Bruce Randell Slattery**, West Chester, OH (US); **Lance Middleton**, Soddy Daisy, TN (US); **John Thomas Richter**, Oxford, OH (US)
- (73) Assignee: **Safeway Safety Step, LLC**, West Chester, OH (US)
- (\*\*) Term: **15 Years**
- (21) Appl. No.: **29/603,523**
- (22) Filed: **May 10, 2017**

- 2,520,129 A 8/1950 Dall et al.
- 2,569,825 A 10/1951 Otis
- 2,818,578 A 1/1958 Cantrell
- 2,896,991 A 7/1959 Martin, Jr.
- 2,942,907 A 6/1960 Nagel et al.
- 2,984,510 A 5/1961 Hoffmann
- 2,991,482 A 7/1961 Brass

(Continued)

**FOREIGN PATENT DOCUMENTS**

- CA 1049997 A 3/1979
- CN 102413747 A 4/2012

(Continued)

**OTHER PUBLICATIONS**

Safety Bath Inc., Door Insert Kit Installation Manual, Ituna SK, Canada, dated Mar. 2008, 17 pages.

(Continued)

*Primary Examiner* — Robert Delehanty  
(74) *Attorney, Agent, or Firm* — Ulmer & Berne LLP

**Related U.S. Application Data**

- (62) Division of application No. 29/551,991, filed on Jan. 19, 2016, now Pat. No. Des. 790,047.
- (51) **LOC (10) Cl.** ..... **23-02**
- (52) **U.S. Cl.**  
USPC ..... **D23/305; D23/279**
- (58) **Field of Classification Search**  
USPC ..... D23/277, 279, 303–306; D24/204–205; D30/158  
CPC ..... A47K 3/02; A47K 3/006; A47K 3/04  
See application file for complete search history.

(57) **CLAIM**

The ornamental design for a bathtub closure, as shown and described.

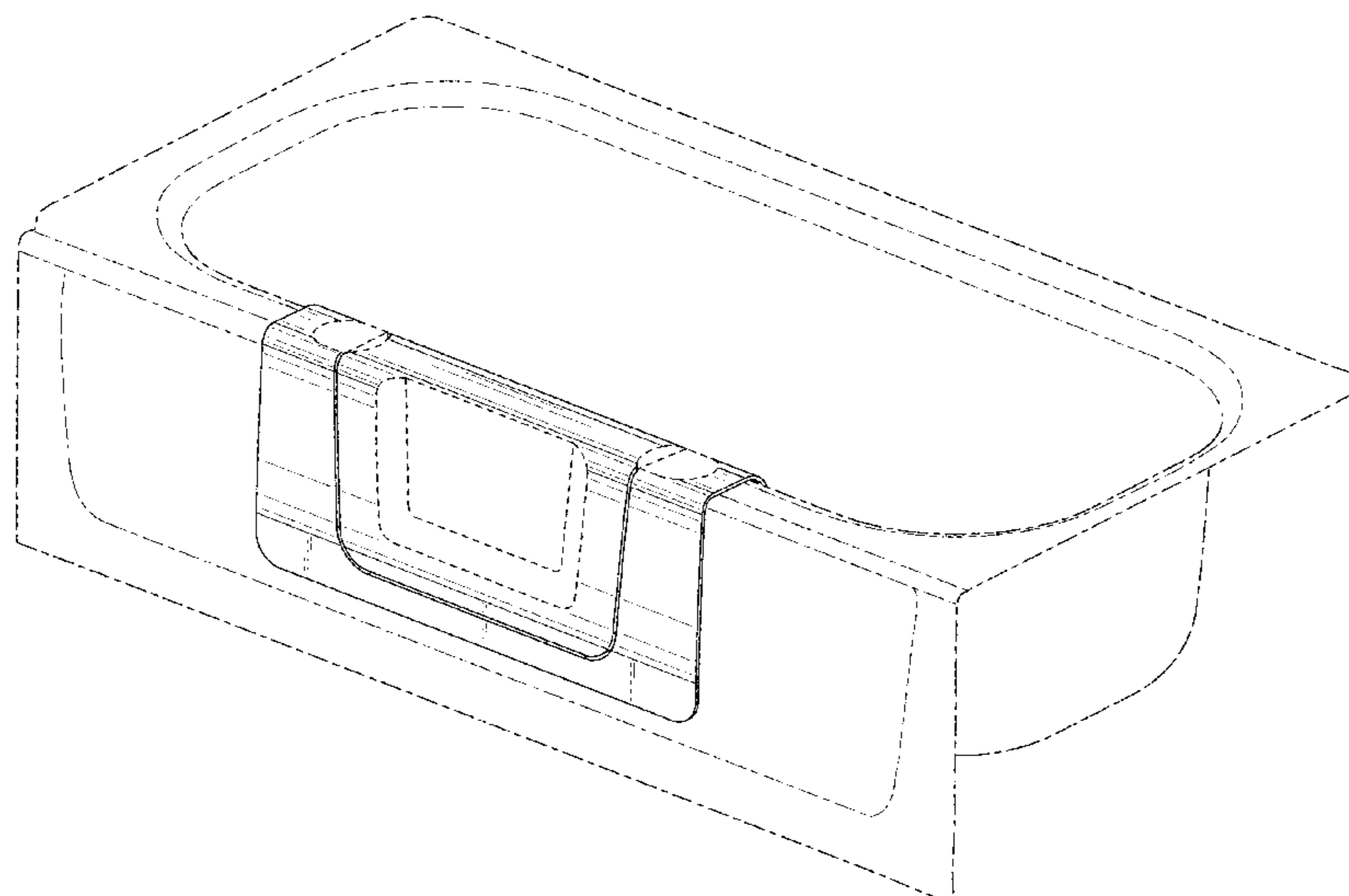
**DESCRIPTION**

FIG. 1 is a front perspective view of a bathtub closure, showing our new design;  
FIG. 2 is a front elevation view thereof;  
FIG. 3 is a rear elevation view thereof;  
FIG. 4 is a left elevation view thereof;  
FIG. 5 is a right elevation view thereof;  
FIG. 6 is a top plan view thereof;  
FIG. 7 is a bottom plan view thereof; and,  
FIG. 8 is a front perspective exploded view thereof.  
The broken lines in the figures illustrate unclaimed portions of the bathtub closure.

(56) **References Cited**  
U.S. PATENT DOCUMENTS

- 2,052,628 A 9/1936 Higgins
- 2,063,864 A 12/1936 Zinkil
- 2,075,933 A 4/1937 Friedlander
- 2,122,626 A 7/1938 Smith
- 2,511,756 A 6/1950 Wallace

**1 Claim, 6 Drawing Sheets**



(56)

References Cited

U.S. PATENT DOCUMENTS

3,066,316 A \* 12/1962 Russell ..... A47K 3/006  
4/556

3,184,807 A 5/1965 Schornstheimer et al.

3,276,804 A 10/1966 Heppner

3,380,078 A \* 4/1968 Hanson ..... A47K 3/006  
4/555

3,416,166 A 12/1968 Hanson

3,439,506 A 4/1969 Martin

3,492,037 A 1/1970 Hutchinson

3,600,025 A 8/1971 Brainard

3,633,862 A 1/1972 Breen

3,663,971 A 5/1972 Bonhote

3,719,960 A 3/1973 Russell

3,971,080 A 7/1976 Walker

4,067,071 A 1/1978 Altman et al.

4,092,037 A 5/1978 Greenwald

4,158,585 A 6/1979 Wright et al.

4,290,154 A 9/1981 Benjamin

4,360,935 A 11/1982 Barrett

4,364,132 A 12/1982 Robinson

4,542,545 A 9/1985 Johnson et al.

4,546,506 A 10/1985 Houle et al.

4,553,299 A 11/1985 Ebert

4,561,160 A 12/1985 Nicol

4,796,312 A 1/1989 Corlew

4,802,247 A 2/1989 Leichle et al.

4,871,204 A 10/1989 Cook et al.

4,890,341 A 1/1990 Forbes

4,953,241 A 9/1990 Williams

4,993,087 A 2/1991 Roquebrune

5,050,252 A 9/1991 Cuttriss

5,184,358 A \* 2/1993 Gruidel ..... A47K 3/006  
277/647

5,241,713 A 9/1993 Wang

5,275,518 A 1/1994 Guenther

5,341,524 A 8/1994 Zellner

5,351,345 A 10/1994 Sills et al.

5,446,929 A 9/1995 Sills et al.

5,463,780 A 11/1995 Harris et al.

5,473,799 A 12/1995 Aoki

5,560,092 A 10/1996 Roiger

5,606,751 A 3/1997 Baker

5,628,851 A 5/1997 Lawler

5,701,614 A 12/1997 Appleford et al.

6,061,846 A 5/2000 Peterson

6,085,367 A 7/2000 Guiste

6,112,344 A 9/2000 Guenther

6,212,704 B1 \* 4/2001 Peterson ..... A47K 3/001  
4/555

6,226,810 B1 5/2001 Weddendorf et al.

6,256,806 B1 7/2001 DiTommaso

6,272,698 B1 8/2001 Stafford

6,334,225 B1 1/2002 Brinkmann

6,381,769 B1 5/2002 Lofquist, Jr.

6,430,759 B1 8/2002 Beltran

6,615,420 B1 9/2003 Hyden

6,766,543 B1 7/2004 Hollis et al.

6,893,199 B2 5/2005 Michels

D539,398 S 3/2007 Stafford

7,237,276 B2 7/2007 Longman

7,299,509 B1 11/2007 Neidich

7,597,652 B2 10/2009 Walker et al.

D605,818 S \* 12/2009 Farley ..... D30/158

D610,657 S \* 2/2010 Torres ..... D23/279

7,778,937 B2 8/2010 Ferrara et al.

7,926,126 B2 4/2011 Whitley

8,230,568 B2 7/2012 Stafford

8,375,478 B2 \* 2/2013 Luo ..... A47K 3/006  
292/139

8,505,128 B2 8/2013 Staudinger

8,898,824 B2 12/2014 Neidich et al.

8,904,614 B2 12/2014 Stafford

9,131,809 B2 9/2015 Stafford et al.

D790,047 S 6/2017 Stafford et al.

2004/0064883 A1 4/2004 Appleford et al.

2004/0237184 A1 12/2004 Longman

2005/0044620 A1 3/2005 Metcalf

2005/0102746 A1 5/2005 Wright et al.

2005/0199025 A1 9/2005 West

2005/0210938 A1 9/2005 Doyle et al.

2006/0080772 A1 4/2006 Saiz et al.

2006/0230526 A1 10/2006 Skinner

2008/0000158 A1 1/2008 Ranelli et al.

2008/0083063 A1 4/2008 Libit et al.

2008/0087283 A1 4/2008 Cromack et al.

2008/0092361 A1 4/2008 Neidich

2008/0109954 A1 5/2008 Neidich

2008/0111383 A1 5/2008 Van Ravenhorst

2008/0222787 A1 9/2008 Staudinger

2009/0010420 A1 1/2009 Khanna

2010/0037382 A1 2/2010 Spiker et al.

2010/0156120 A1 6/2010 Luo

2010/0212083 A1 8/2010 Stafford

2010/0236041 A1 9/2010 Stafford

2010/0263119 A1 10/2010 Neidich et al.

2011/0099787 A1 5/2011 Stafford

2011/0307547 A1 12/2011 Backer et al.

2012/0005820 A1 1/2012 Stafford

2012/0102013 A1 4/2012 Martini

2012/0192350 A1 8/2012 Stafford et al.

2012/0216343 A1 8/2012 Stafford et al.

2012/0284122 A1 11/2012 Brandis

2012/0303402 A1 11/2012 Koury

2012/0304376 A1 12/2012 Neidich et al.

2013/0051546 A1 2/2013 Fried et al.

2013/0051549 A1 2/2013 Klemm

2013/0090957 A1 4/2013 Popkey et al.

2013/0127634 A1 5/2013 Grumbles, III

2013/0304534 A1 11/2013 Mehta et al.

2014/0040282 A1 2/2014 Mann et al.

2015/0063900 A1 3/2015 Stafford

2015/0305573 A1 10/2015 Stafford et al.

2015/0335206 A1 11/2015 Stafford et al.

2015/0342418 A1 12/2015 Stafford et al.

2016/0000272 A1 1/2016 Jin

FOREIGN PATENT DOCUMENTS

DE 20214218 U1 1/2003

EP 0162103 A1 11/1985

EP 0151571 A1 10/1986

EP 0123324 A2 11/1988

EP 0188412 A1 10/1989

EP 0700655 A1 3/1996

EP 0864285 A2 9/1998

EP 0585564 A2 5/1999

EP 0913115 A1 5/1999

EP 0933052 A2 8/1999

EP 0710080 A1 11/1999

EP 1428467 A1 6/2004

EP 1447038 A2 8/2004

EP 1747747 A2 1/2007

GB 853067 A 11/1960

GB 880368 A 10/1961

GB 2038981 A 7/1980

GB 2381746 A 5/2003

JP 10137313 A 5/1998

JP 2000271185 A 10/2000

JP 2002336325 A 11/2002

WO 2008110010 A1 9/2008

WO 2010099410 A2 9/2010

WO 2012088255 A1 6/2012

WO 2012106339 A2 8/2012

OTHER PUBLICATIONS

Safety Bath Inc, Door Insert Kit, Measurement and Installation, 5 pages.

GreyB Services, Validity Search Report, dated Aug. 25, 2008, 41 pages.

(56)

**References Cited**

OTHER PUBLICATIONS

International Search Report and Written Opinion for International Application No. PCT/US2010/025538, dated Feb. 3, 2011, 13 pages.

Mexican Patent Application No. 11/08992, dated Aug. 26, 2011, 74 pages.

International Preliminary Report on Patentability for International Application No. PCT/US2010/025538, dated Sep. 9, 2011, 10 pages.

International Search Report and Written Opinion for International Application No. PCT/US2011/066451, dated May 1, 2012, 20 pages.

International Search Report and Written Opinion for International Application No. PCT/US2012/023326, dated Sep. 25, 2012, 9 pages.

\* cited by examiner

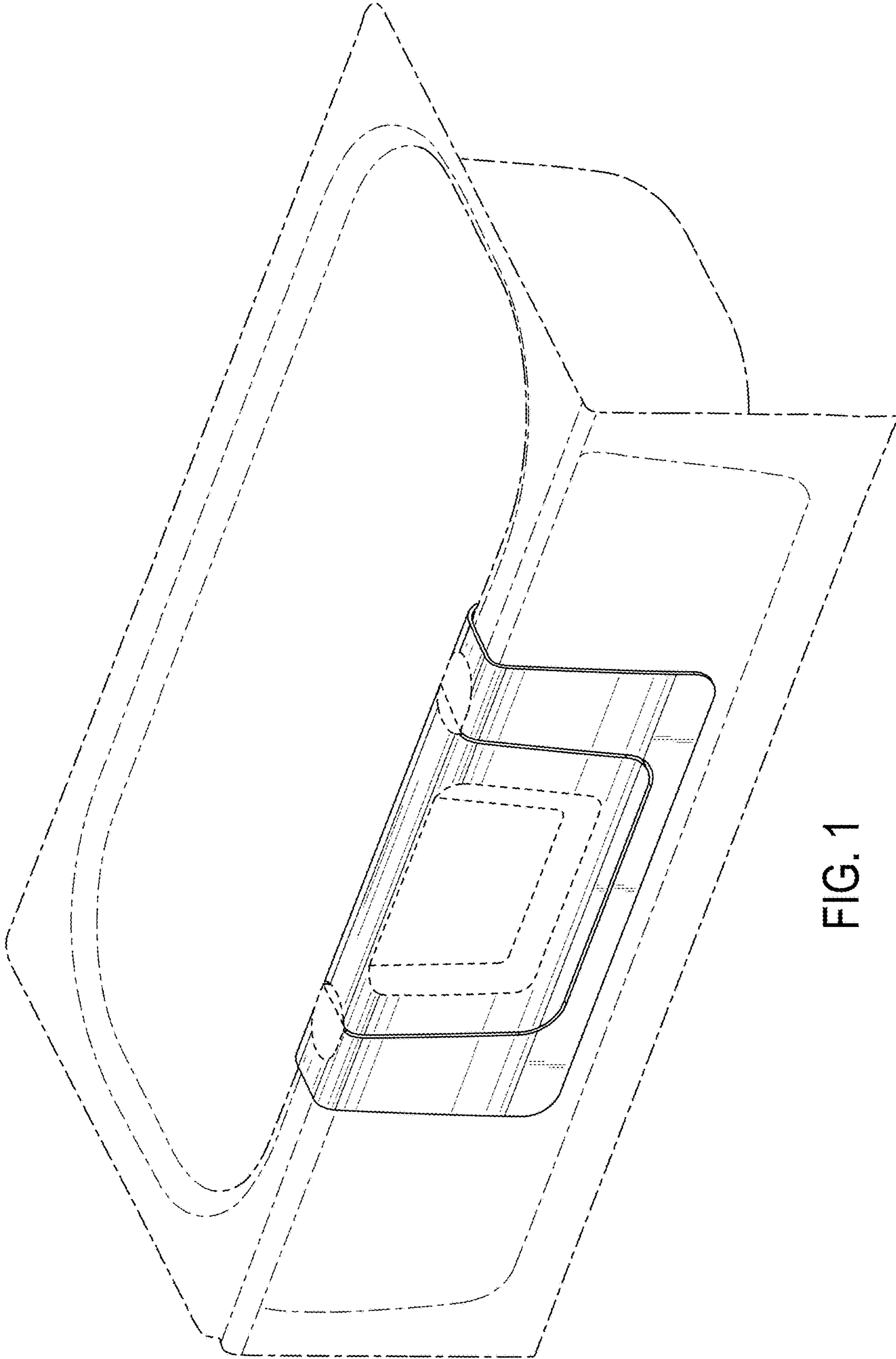


FIG. 1

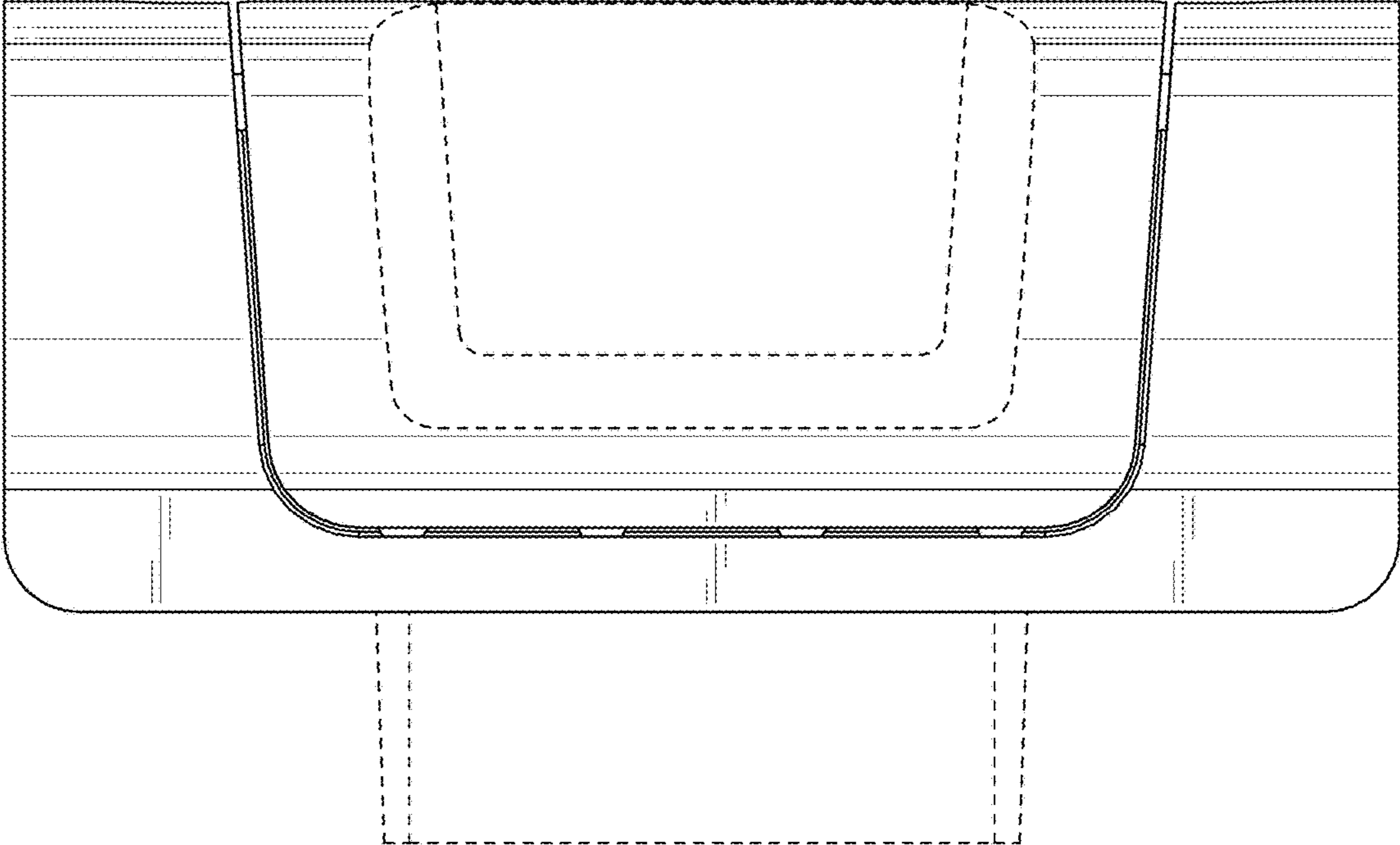


FIG. 2

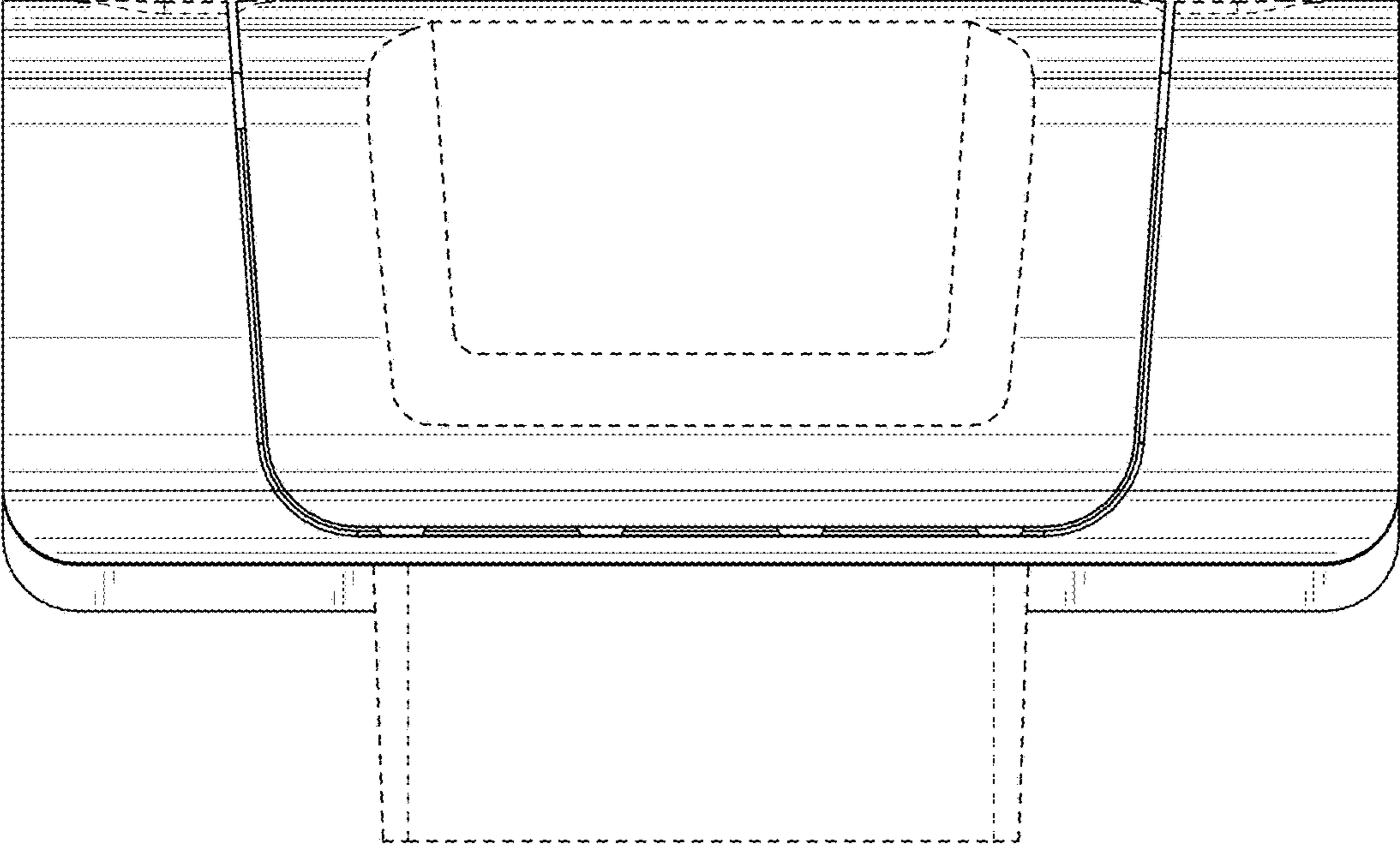


FIG. 3

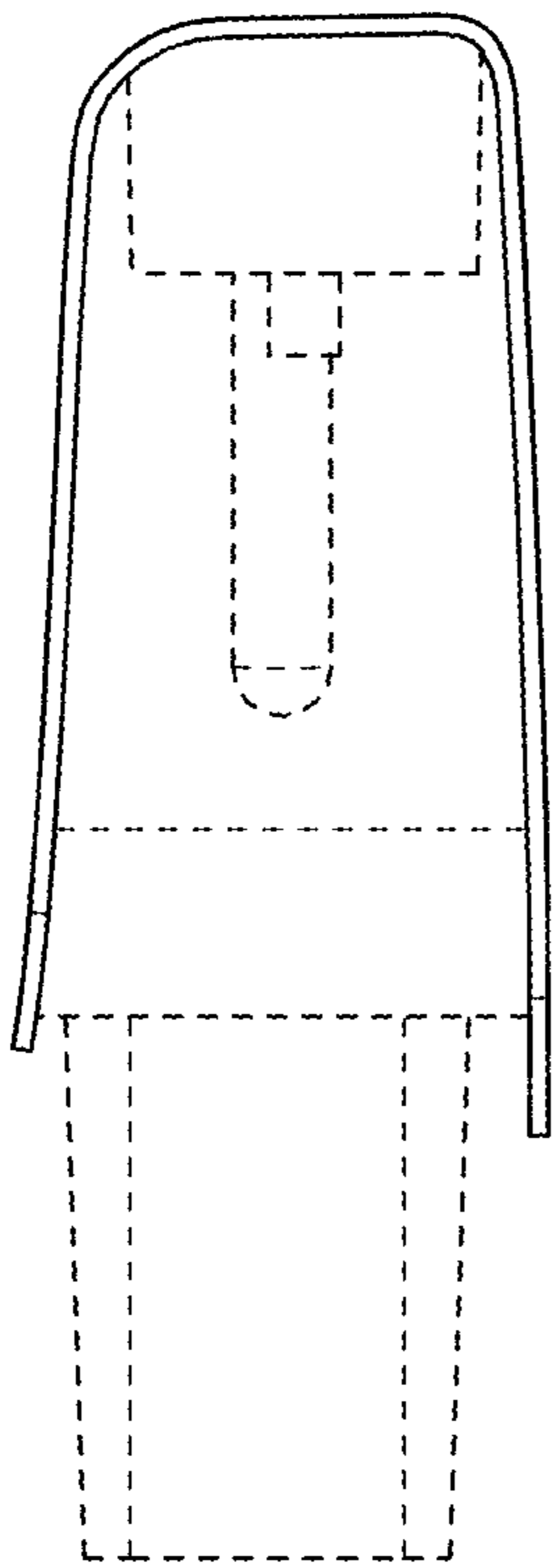


FIG. 4

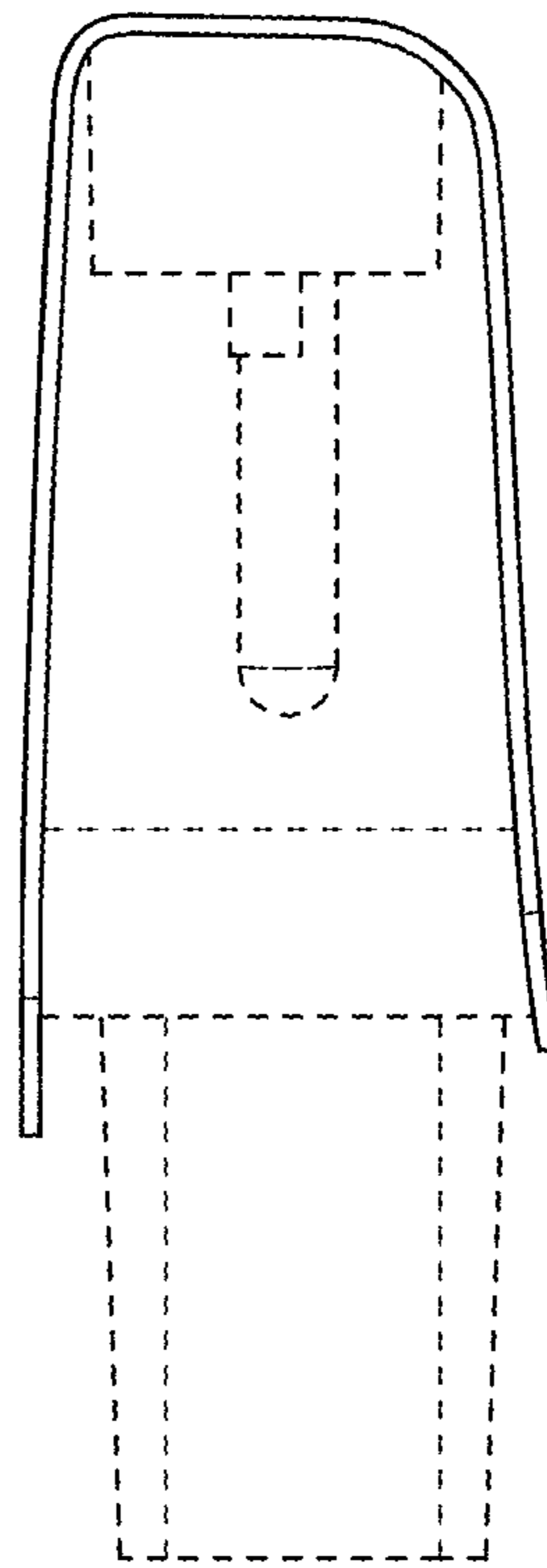


FIG. 5

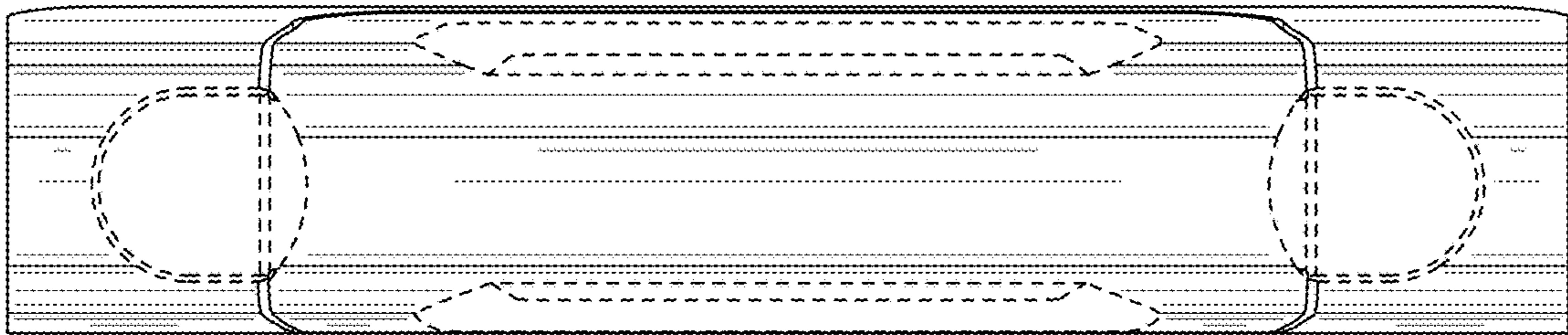


FIG. 6

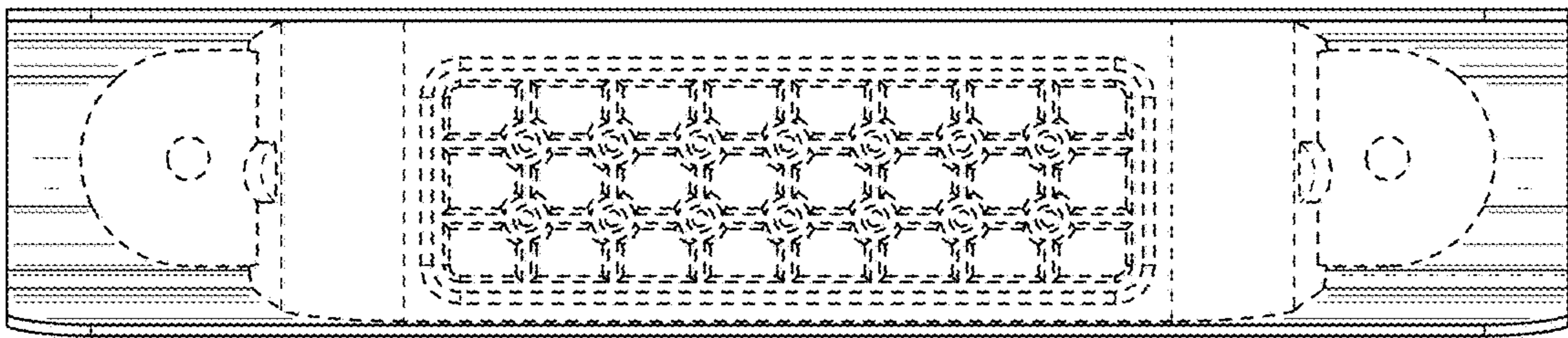


FIG. 7



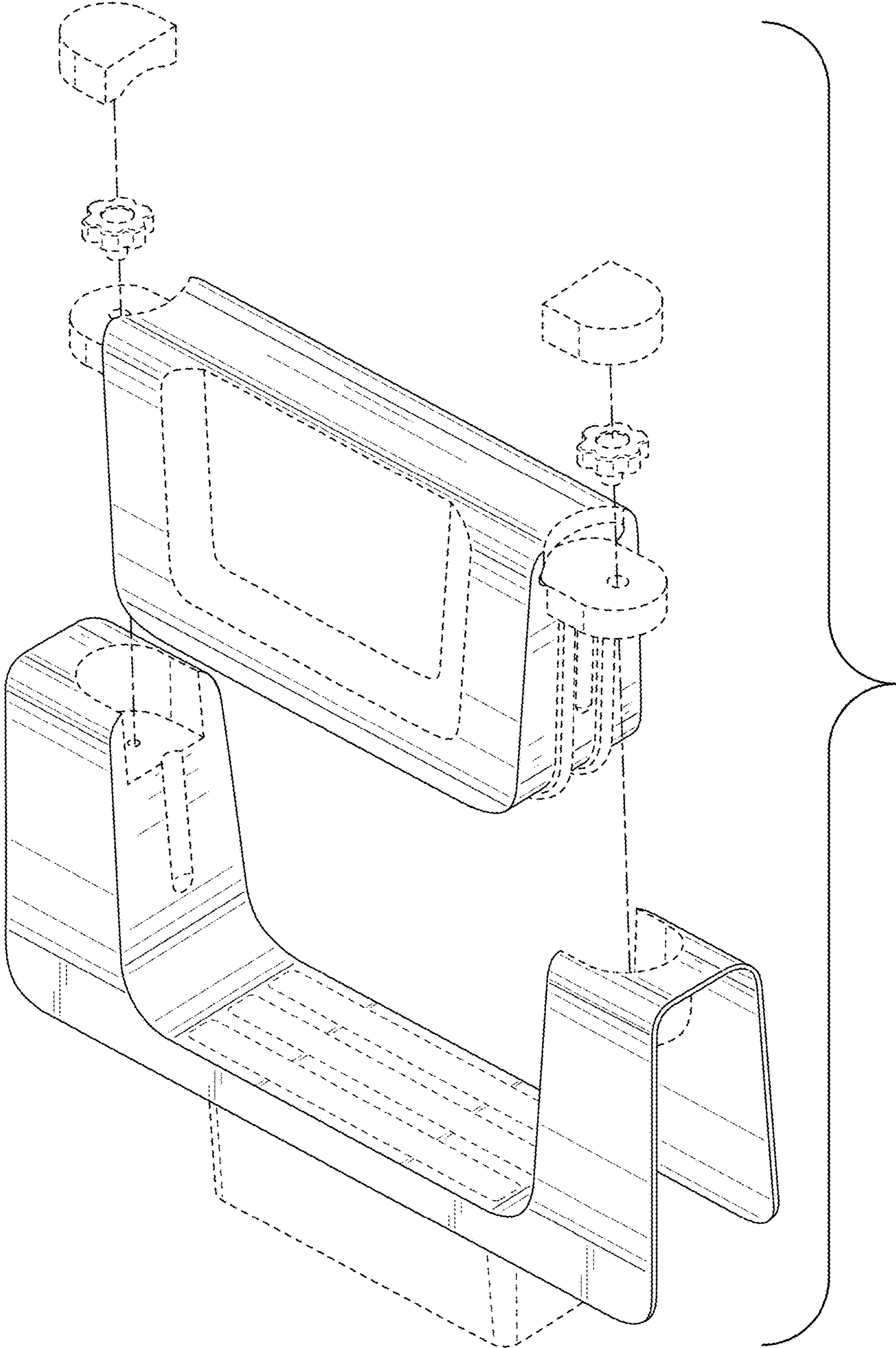


FIG. 8