



US00D797264S

(12) **United States Design Patent** (10) **Patent No.:** **US D797,264 S**
Gallob (45) **Date of Patent:** **** Sep. 12, 2017**

- (54) **SINK**
- (71) Applicant: **Stone and Steel Systems, LLC**,
Franklin Park, IL (US)
- (72) Inventor: **Randall Gallob**, Franklin Park, IL (US)
- (73) Assignee: **Sloan Valve Company**, Franklin Park,
IL (US)
- (**) Term: **15 Years**
- (21) Appl. No.: **29/565,047**
- (22) Filed: **May 17, 2016**
- (51) **LOC (10) Cl.** **23-02**
- (52) **U.S. Cl.**
USPC **D23/291; D23/293.1**
- (58) **Field of Classification Search**
USPC **D23/284-293.1, 303, 308**
CPC **A47K 1/04; A47B 77/06; A47J 47/20**
See application file for complete search history.

- (56) **References Cited**
U.S. PATENT DOCUMENTS
D305,839 S * 2/1990 Howard D6/675
D342,992 S * 1/1994 Robertson D23/270
D359,164 S * 6/1995 Whitehurst D3/211
D589,128 S * 3/2009 Mitrani D23/284
D632,765 S * 2/2011 Stob D23/270

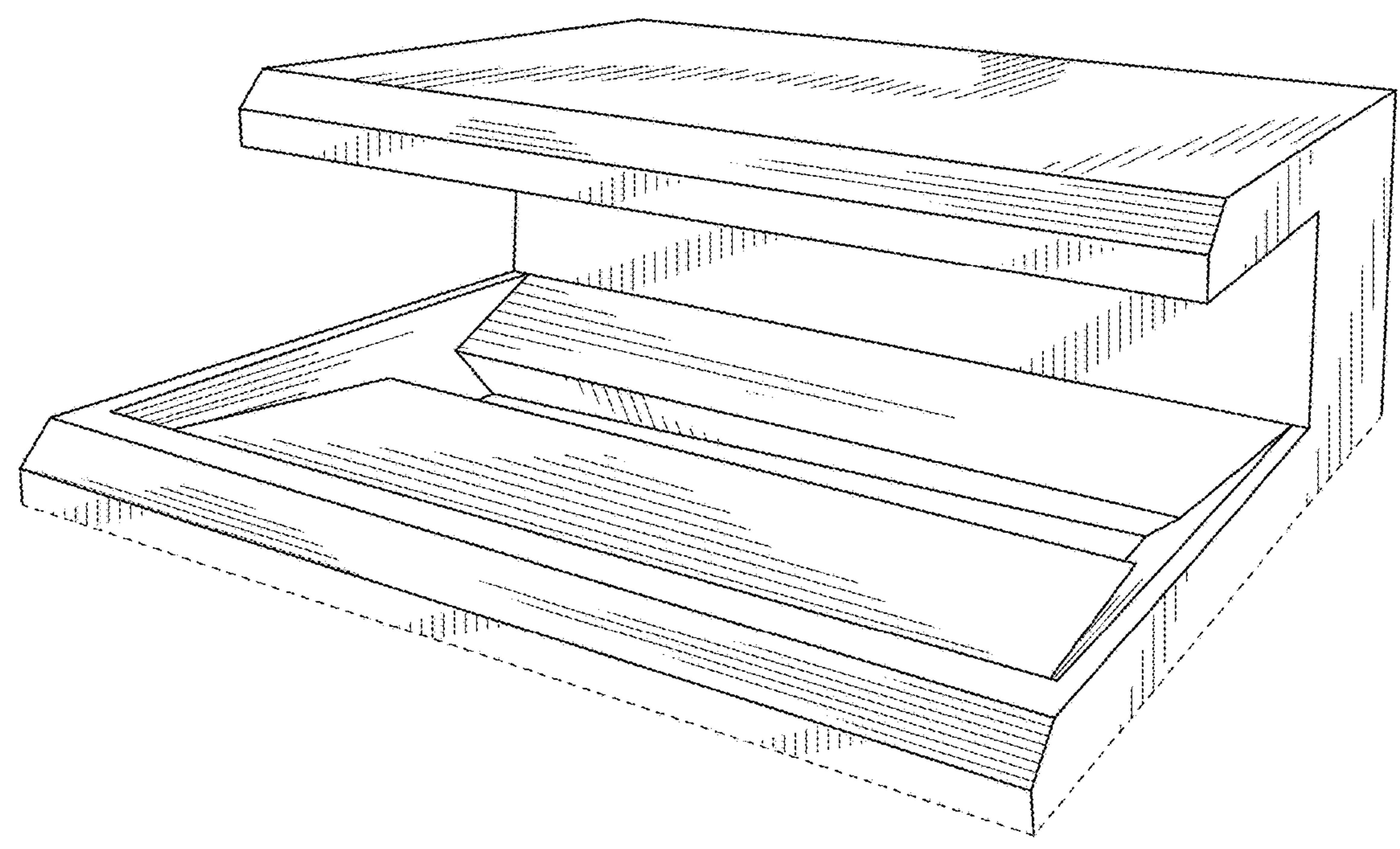
- 2010/0168926 A1* 7/2010 Bayley E03C 1/02
700/282
- 2010/0191158 A1* 7/2010 Leventhal A61H 23/0254
601/15
- 2011/0271441 A1* 11/2011 Bayley A47K 10/48
4/638

* cited by examiner
Primary Examiner — Robert M Spear
Assistant Examiner — John Voytek
(74) *Attorney, Agent, or Firm* — Banner & Witcoff, Ltd.

(57) **CLAIM**
The ornamental design for a sink, as shown and described.

DESCRIPTION
FIG. 1 is a top, front, right perspective view of a sink showing my new design;
FIG. 2 is a top, front, left perspective view thereof;
FIG. 3 is a front isometric view thereof;
FIG. 4 is a right side isometric view thereof;
FIG. 5 is a left side isometric view thereof; and,
FIG. 6 is a top isometric view thereof.
The broken lines immediately adjacent to the shaded area represent unclaimed boundaries of the design. The broken lines showing the remainder of the sink represent unclaimed subject matter and form no part of the claimed design.

1 Claim, 5 Drawing Sheets



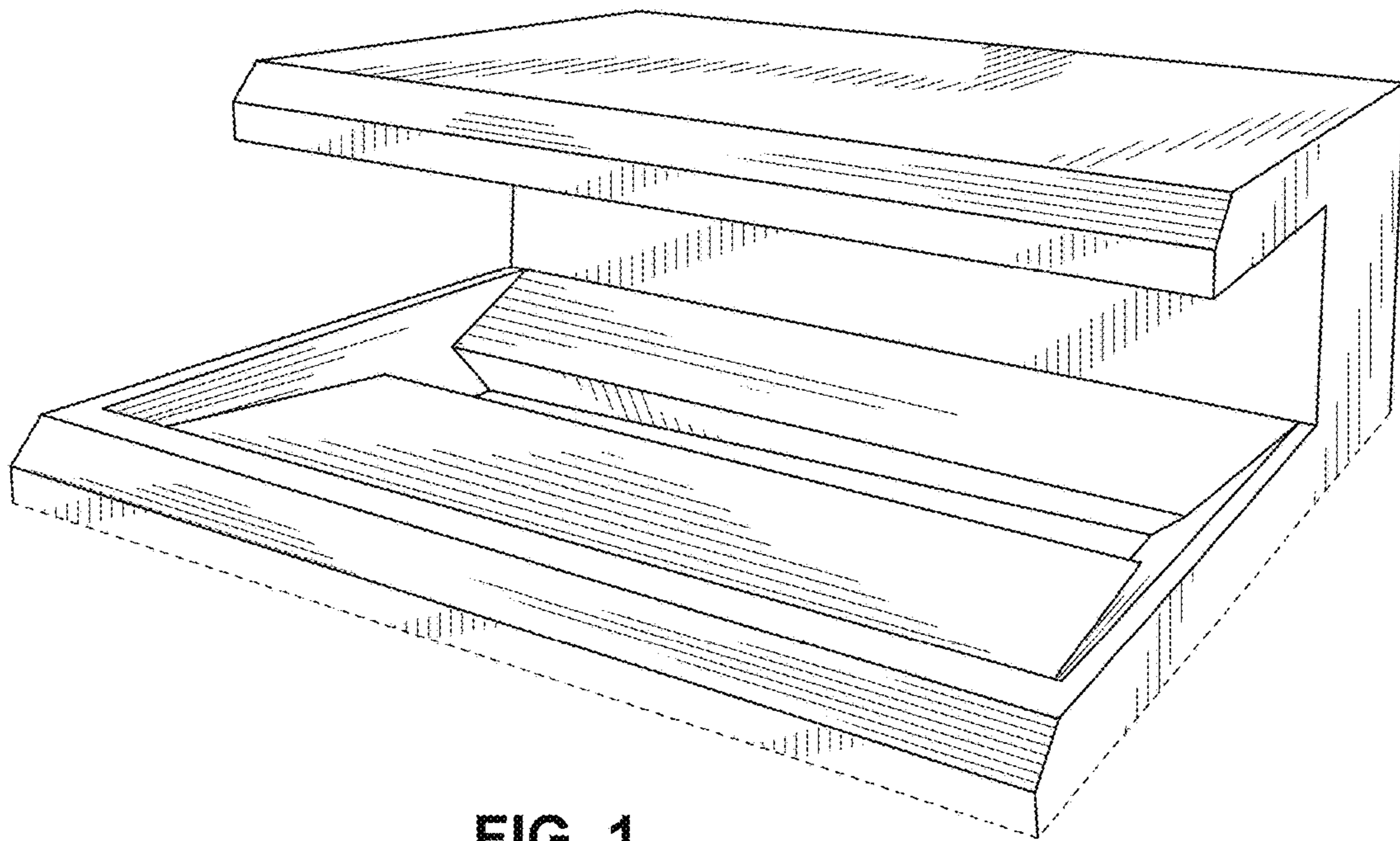


FIG. 1

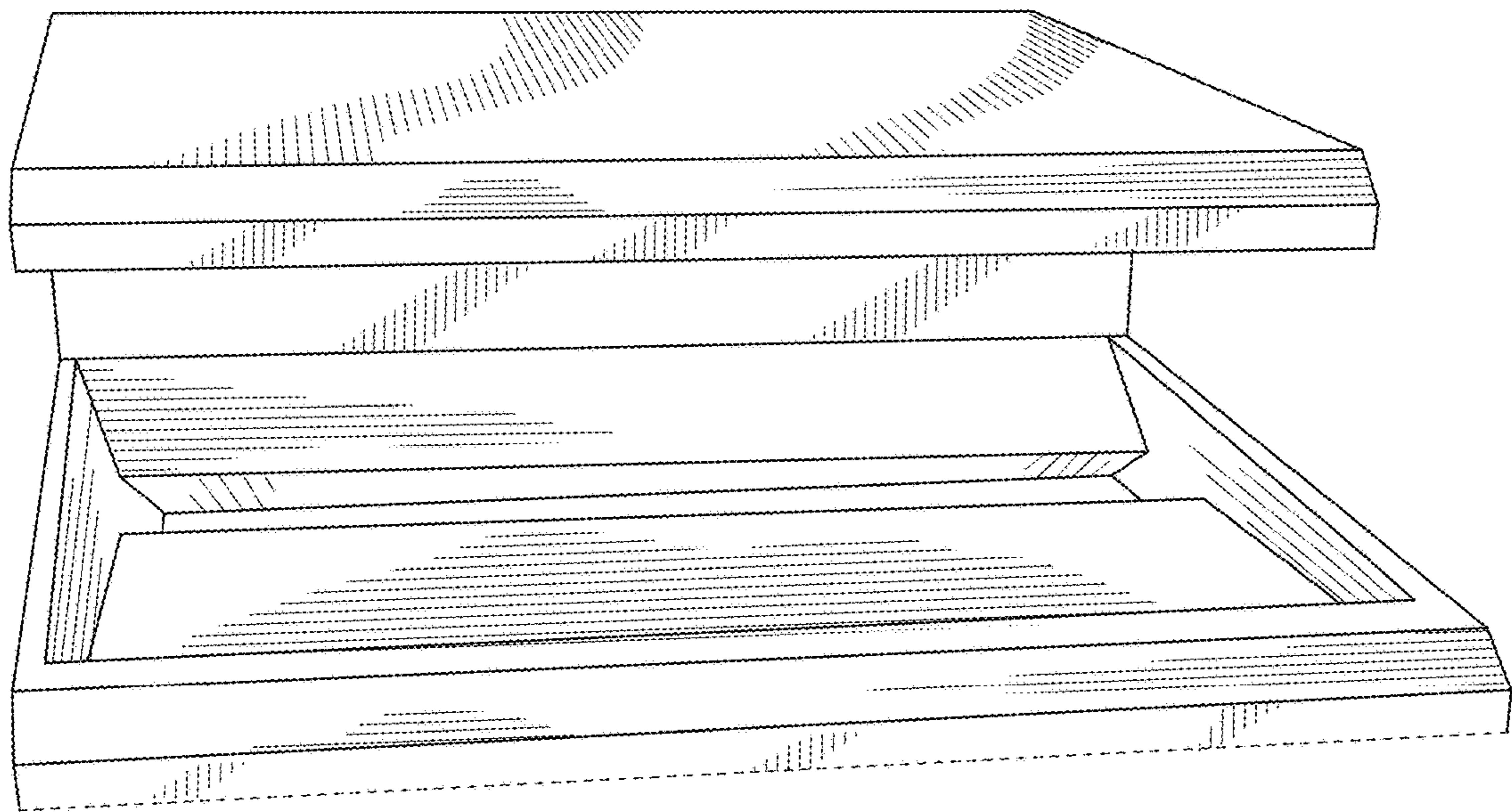


FIG. 2

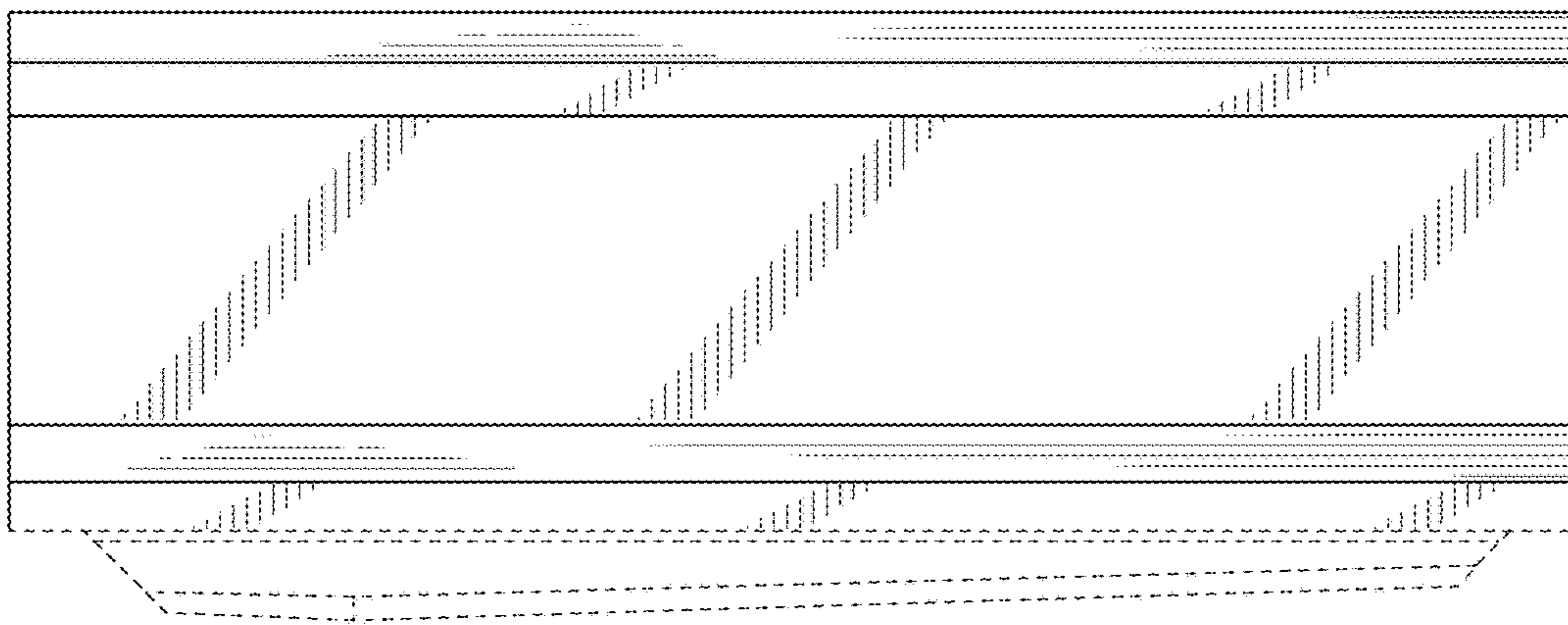


FIG. 3

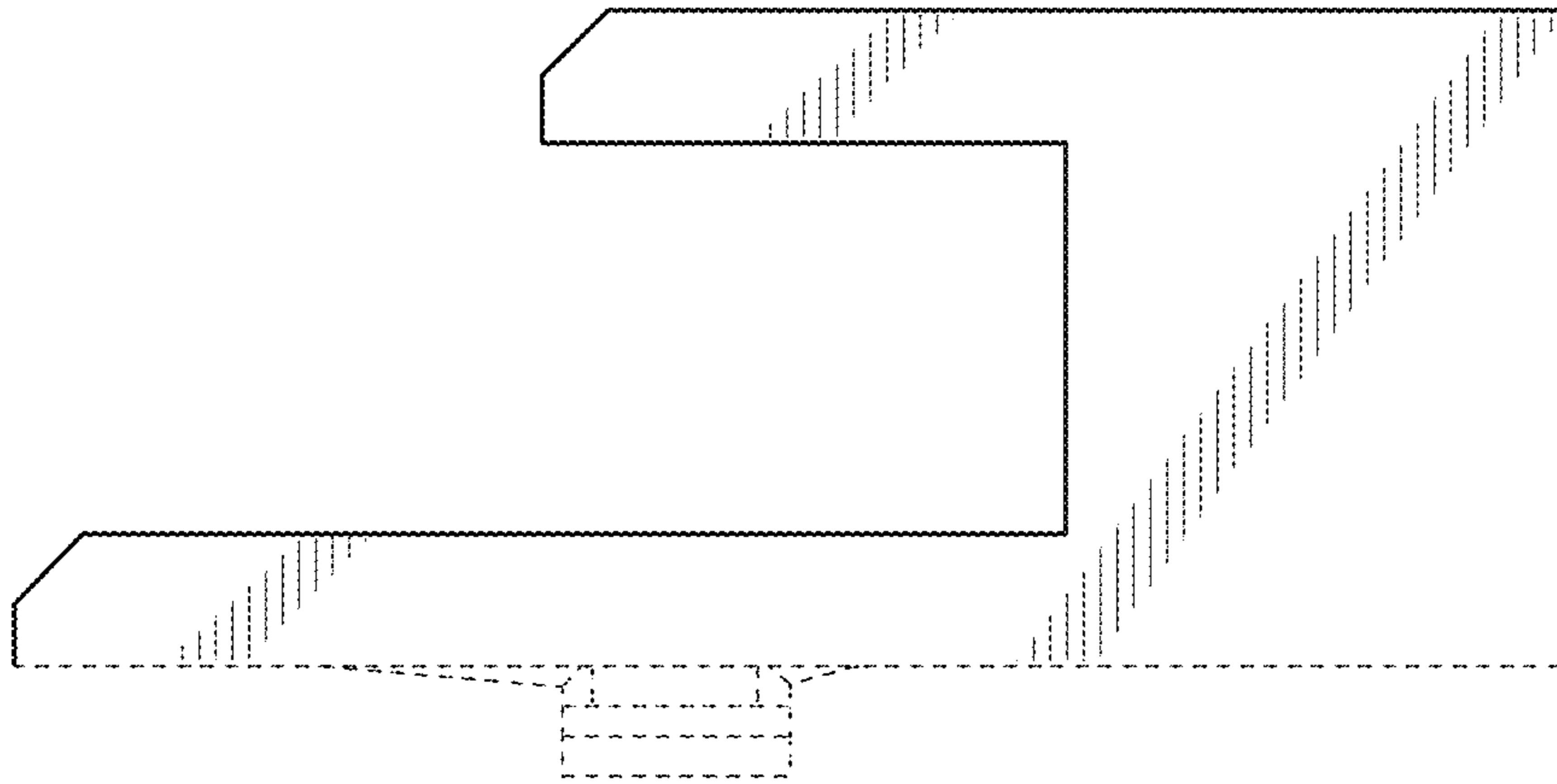


FIG. 4

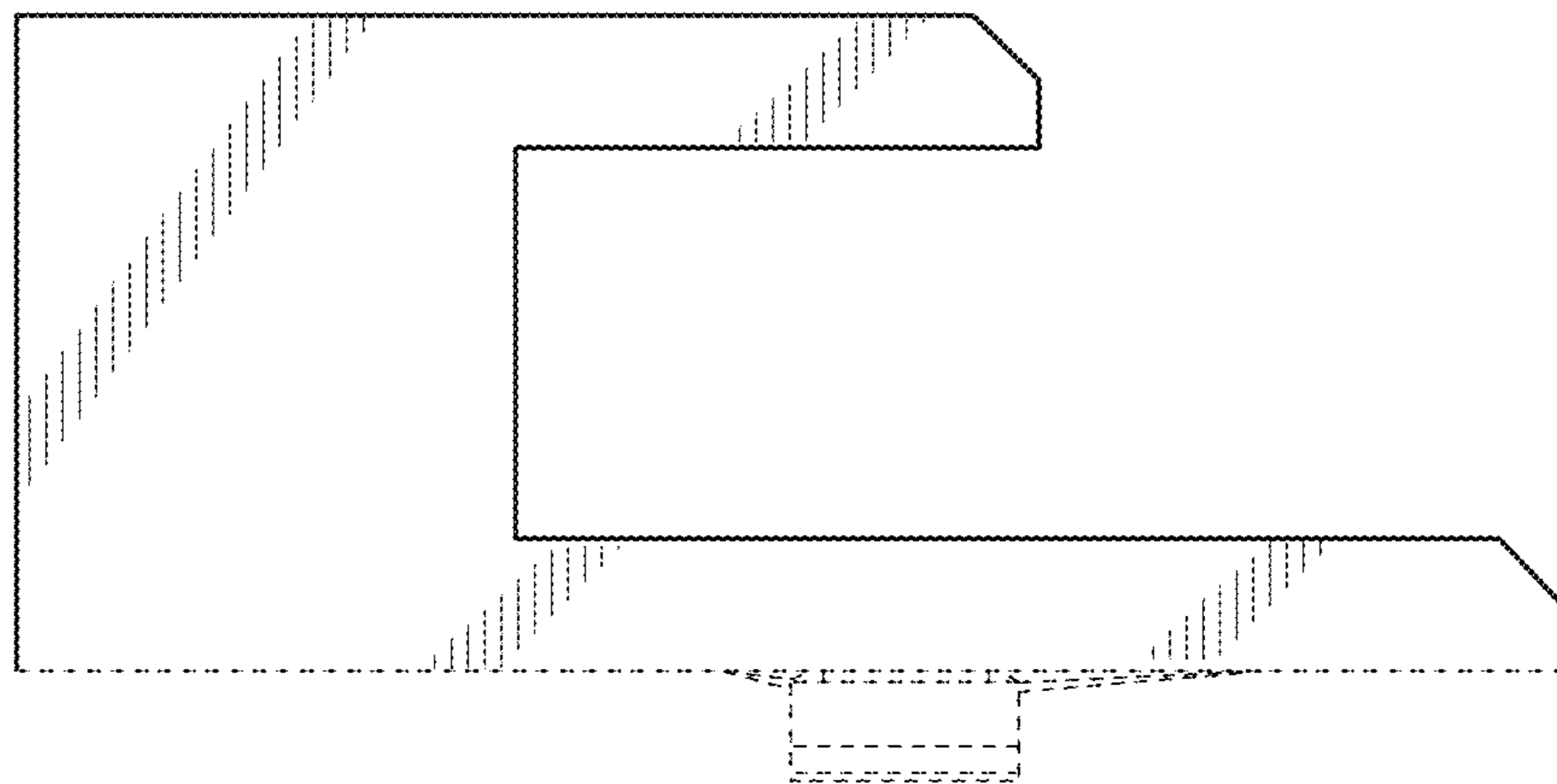


FIG. 5

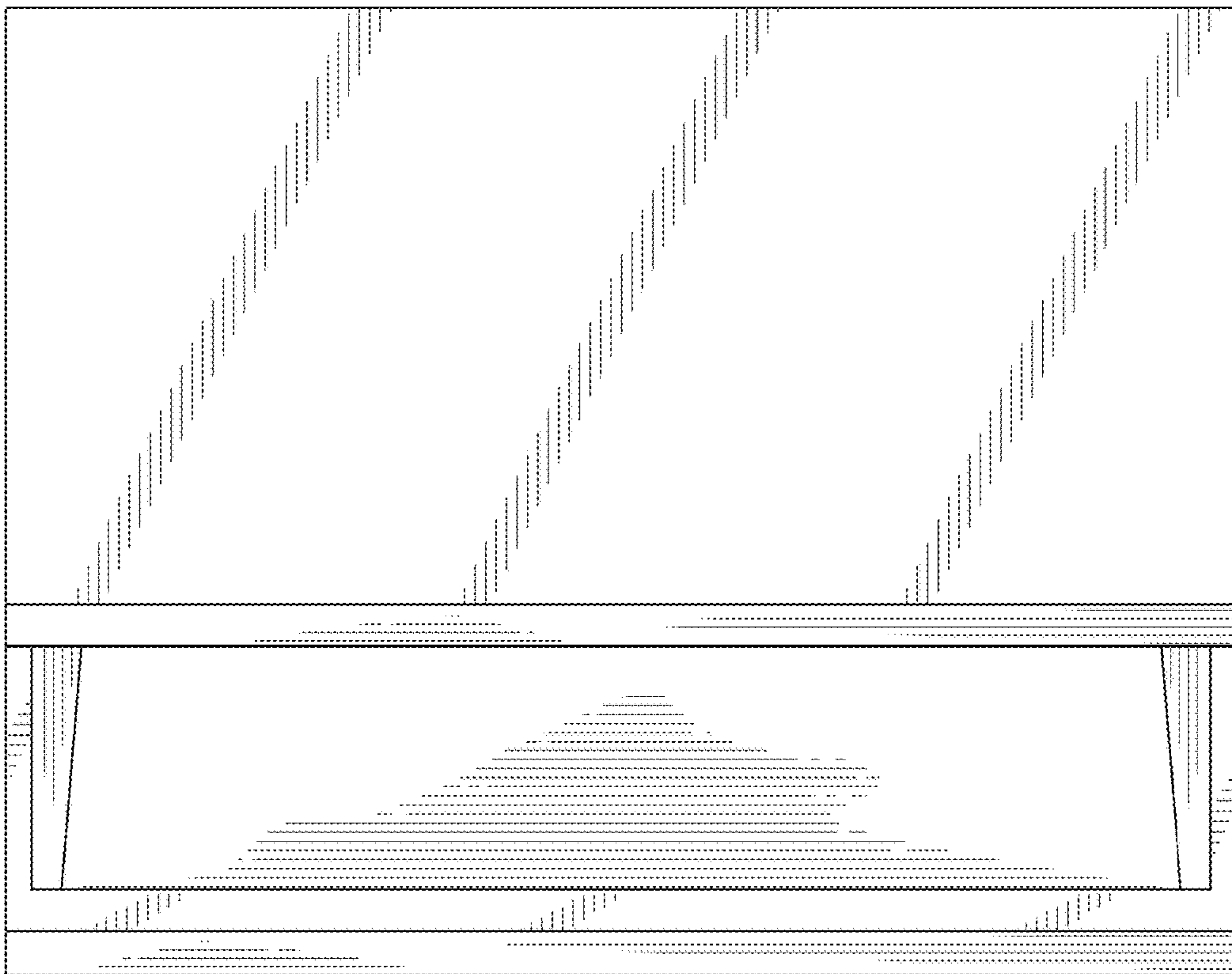


FIG. 6