



US00D797263S

(12) **United States Design Patent** (10) **Patent No.:** **US D797,263 S**
Fischlin (45) **Date of Patent:** **** Sep. 12, 2017**

(54) **BATH TUB**

CPC A47K 3/02; A47K 4/00
See application file for complete search history.

(71) Applicant: **Daniel Fischlin**, Steinerberg (CH)

(72) Inventor: **Daniel Fischlin**, Steinerberg (CH)

(**) Term: **15 Years**

(21) Appl. No.: **35/500,992**

(22) Filed: **May 4, 2016**

(80) **Hague Agreement Data**

Int. Filing Date: **May 4, 2016**
Int. Reg. No.: **DM/090559**
Int. Reg. Date: **May 4, 2016**
Int. Reg. Pub. Date: **May 20, 2016**

(30) **Foreign Application Priority Data**

Nov. 19, 2015 (EM) 002869842-0001

(51) **LOC (10) Cl.** **23-02**

(52) **U.S. Cl.**
USPC **D23/280.1**

(58) **Field of Classification Search**
USPC D23/277, 280.1-280.4, 303-304

(56) **References Cited**

U.S. PATENT DOCUMENTS

D274,835 S * 7/1984 Gruber D23/280.1
D600,330 S * 9/2009 Barba D23/280.1
D692,992 S * 11/2013 Whiting E03F 5/0408
D23/304

* cited by examiner

Primary Examiner — Michael A Pratt

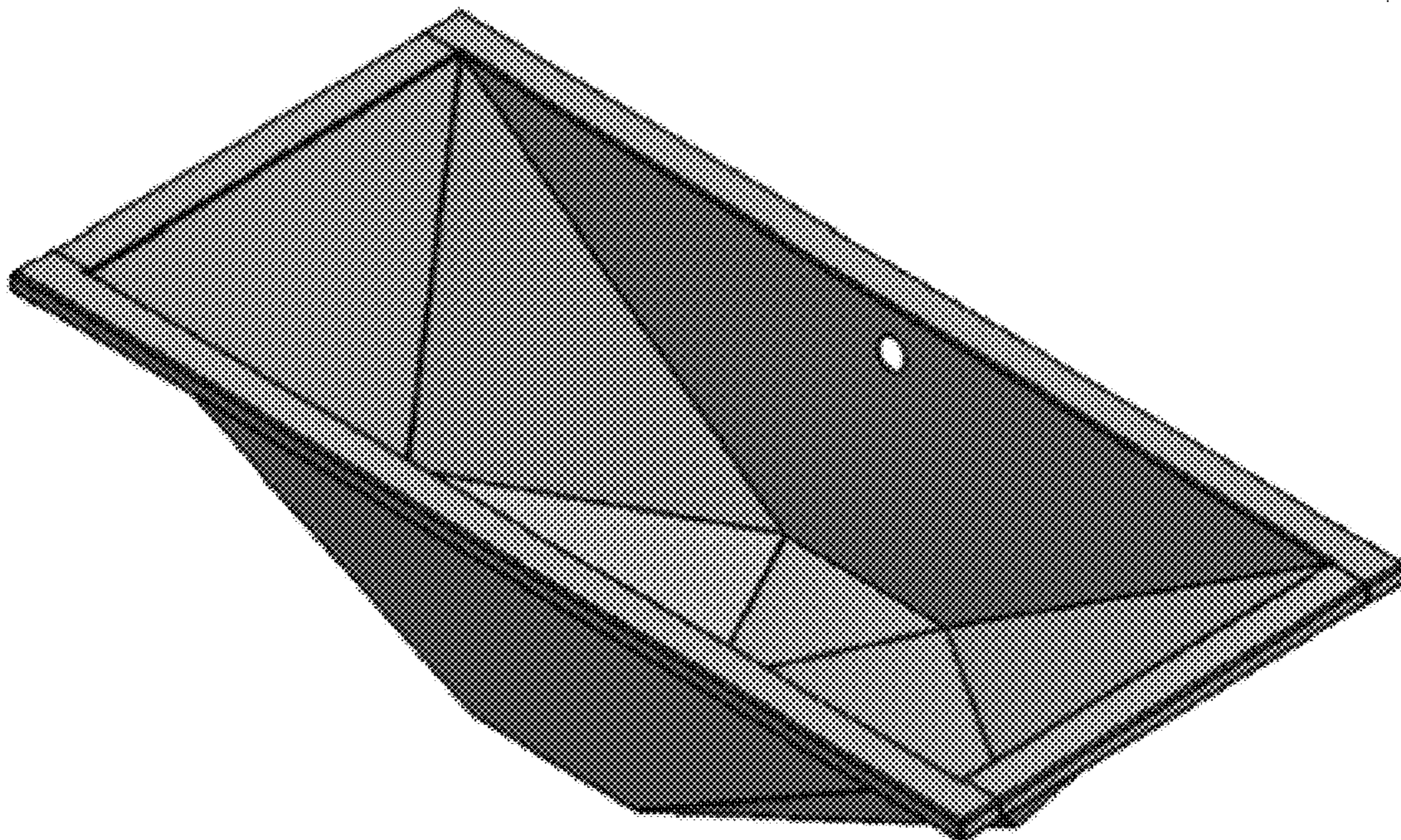
(57) **CLAIM**

The ornamental design for a bath tub, as shown and described.

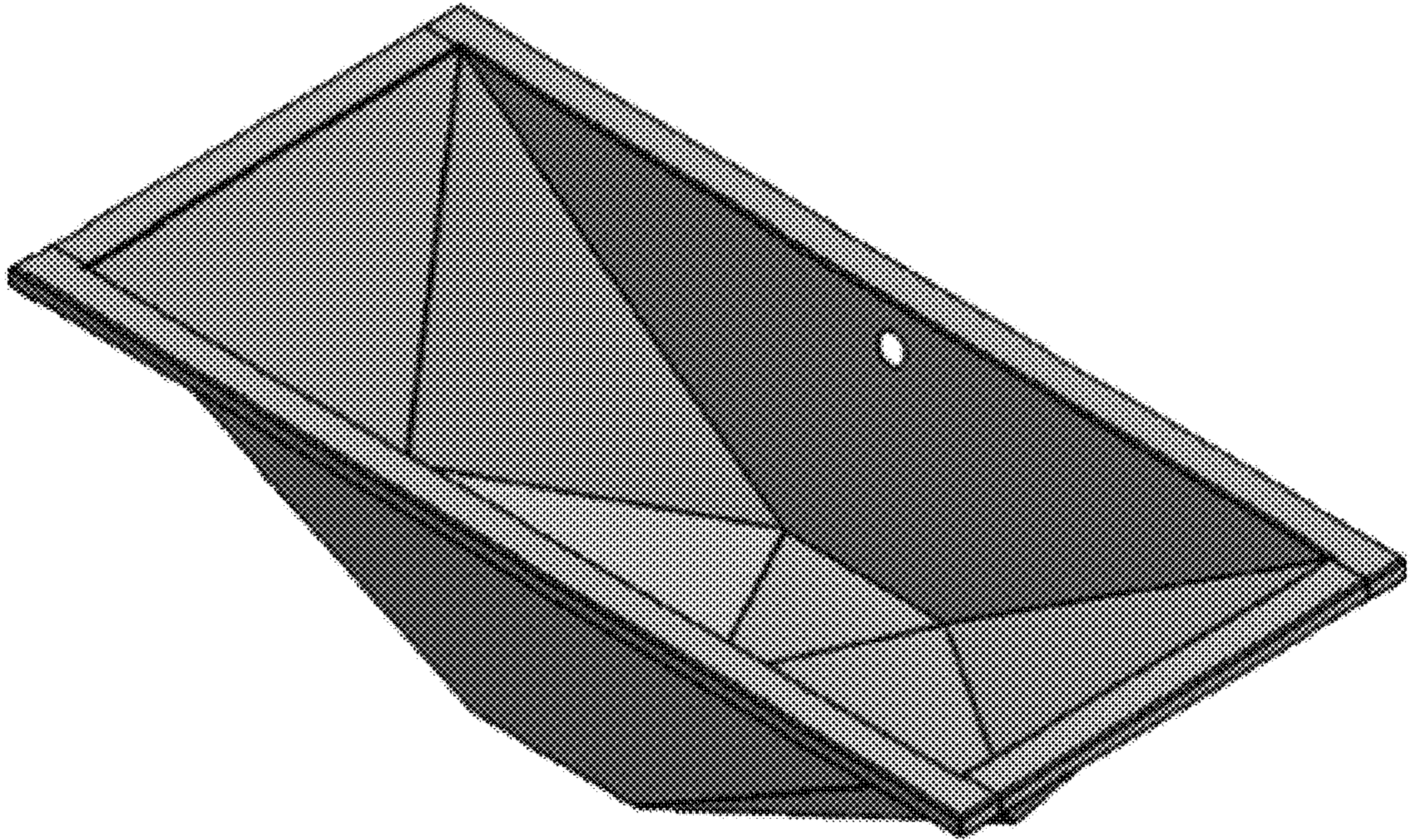
DESCRIPTION

- 1. Bath tub
- 1.1 is a perspective view
- 1.2 is a front view
- 1.3 is an end view
- 1.4 is a top view

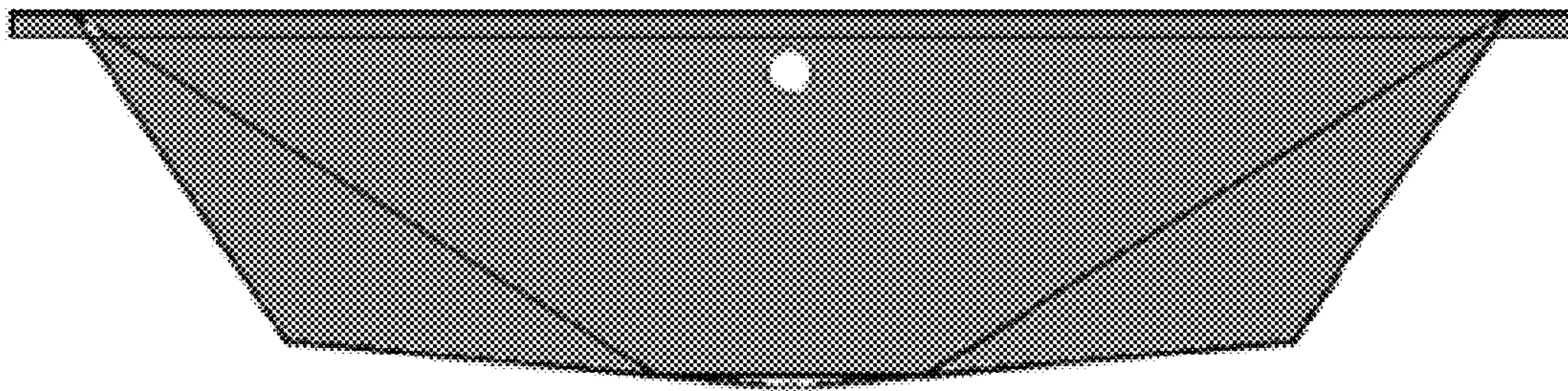
1 Claim, 4 Drawing Sheets



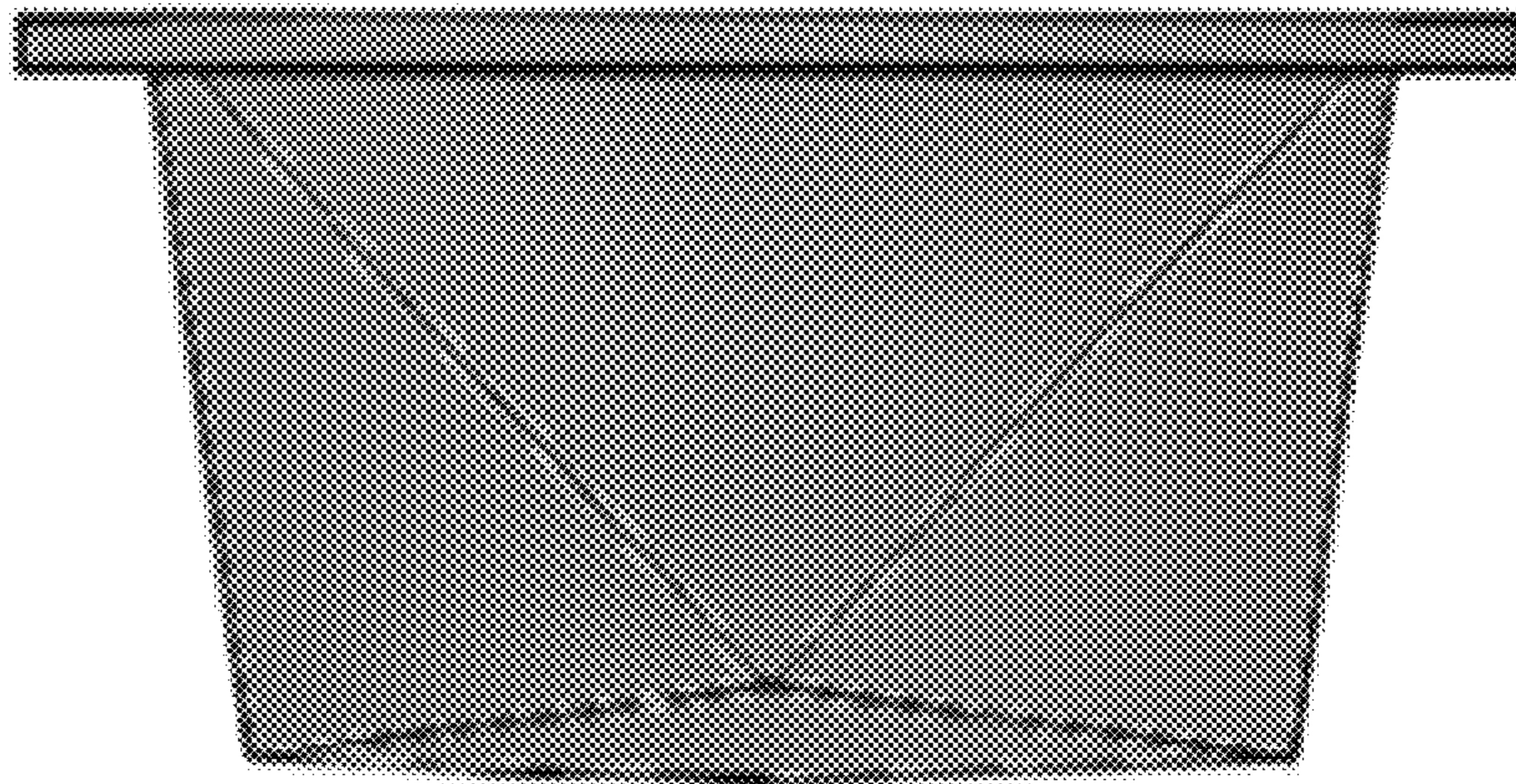
1.1



1.2



1.3



1.4

