



US00D797256S

(12) **United States Design Patent** (10) **Patent No.:** **US D797,256 S**  
**Schaubach** (45) **Date of Patent:** **\*\* Sep. 12, 2017**

(54) **FAUCET HANDLE**  
(71) Applicant: **Spectrum Brands, Inc.**, Middleton, WI (US)  
(72) Inventor: **Lauren Schaubach**, Costa Mesa, CA (US)

D534,248 S 12/2006 Chu et al.  
D596,715 S 7/2009 Haug et al.  
D651,692 S \* 1/2012 Vanderheyden ..... D23/252  
D754,823 S 4/2016 Garland  
D755,932 S \* 5/2016 Fritz ..... D23/242  
D759,207 S 6/2016 Gilbert et al.

(73) Assignee: **Spectrum Brands, Inc.**, Middleton, WI (US)

**FOREIGN PATENT DOCUMENTS**

(\*\*) Term: **15 Years**

CA 111660 5/1908  
EM 001364400-0030 4/2013  
EM 001364400-0035 4/2013  
EM 002990903-0004 3/2016  
GB 2064549 6/1981

(21) Appl. No.: **29/561,359**

\* cited by examiner

(22) Filed: **Apr. 15, 2016**

*Primary Examiner* — Robert Delehanty

(51) **LOC (10) Cl.** ..... **23-01**

(74) *Attorney, Agent, or Firm* — Banner & Witcoff, Ltd.

(52) **U.S. Cl.**  
USPC ..... **D23/252**

(57) **CLAIM**

(58) **Field of Classification Search**  
USPC ..... D23/238–243, 250, 252, 254, 245;  
D8/300, 307–308, 310  
CPC . E03C 1/00; E03C 1/04; E03C 1/0401; E03C  
1/0402; E03C 1/0404; E03C 1/02; E03C  
1/021; E03C 1/0403; F16K 27/06; F16K  
27/067; F16K 27/0657  
See application file for complete search history.

The ornamental design for a faucet handle, as shown and described.

**DESCRIPTION**

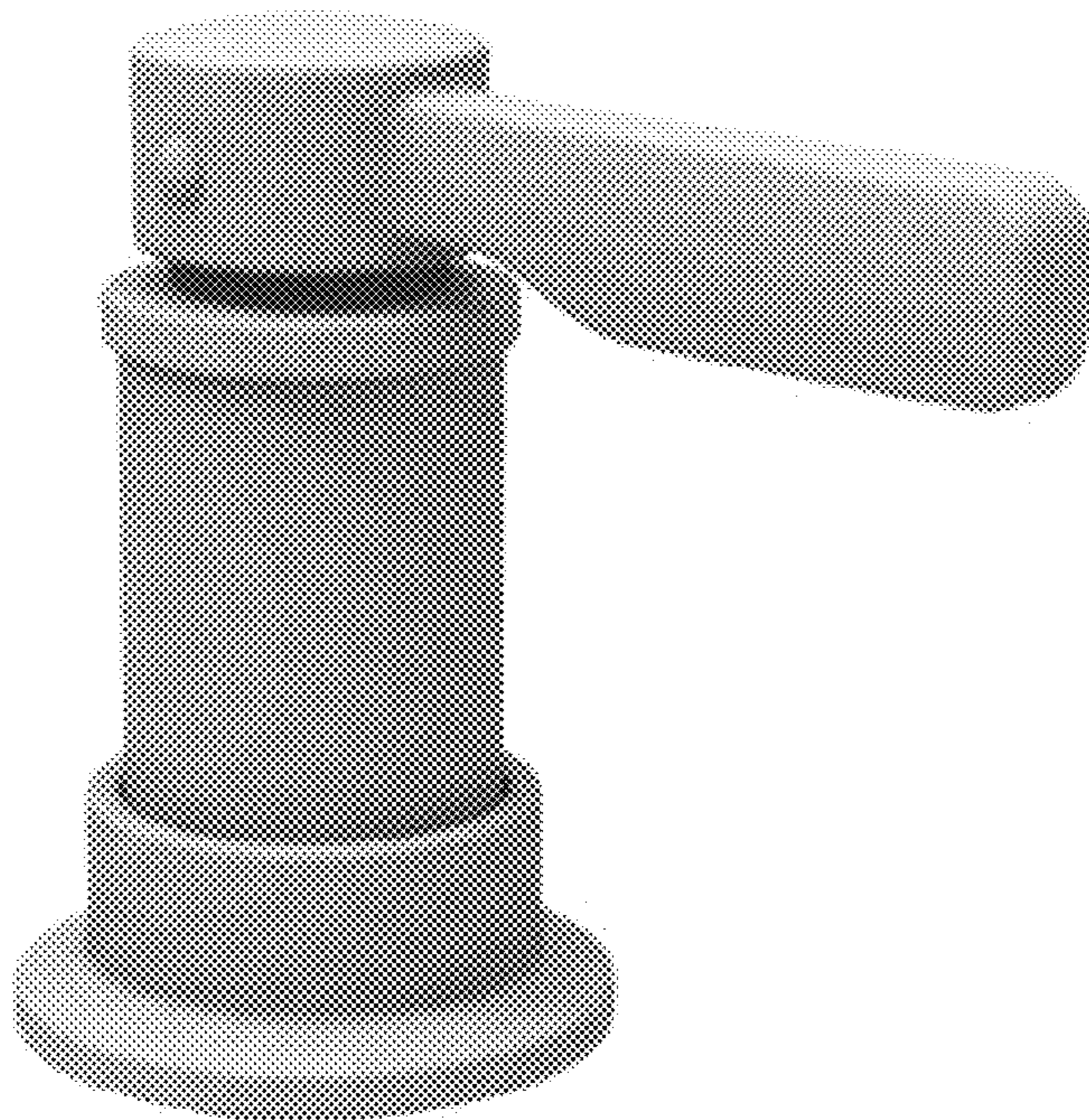
(56) **References Cited**

**U.S. PATENT DOCUMENTS**

D290,496 S 6/1987 Ryan  
D447,542 S \* 9/2001 Dretzka ..... D23/252  
D505,714 S \* 5/2005 Dretzka ..... D23/252  
D508,110 S 8/2005 Spangler  
D522,631 S 6/2006 Singtoroj  
D526,702 S 8/2006 Kosasih

FIG. 1 is a front perspective view of a faucet handle showing my new design;  
FIG. 2 is a front view thereof;  
FIG. 3 is a rear view thereof;  
FIG. 4 is a right side view thereof;  
FIG. 5 is a left side view thereof;  
FIG. 6 is a top view thereof; and,  
FIG. 7 is a front perspective view of the faucet handle of FIGS. 1-6 shown as part of a disclaimed faucet assembly. The broken line showing of the remainder of the faucet assembly in FIG. 7 is for environmental purposes only and forms no part of the claimed design.

**1 Claim, 7 Drawing Sheets**



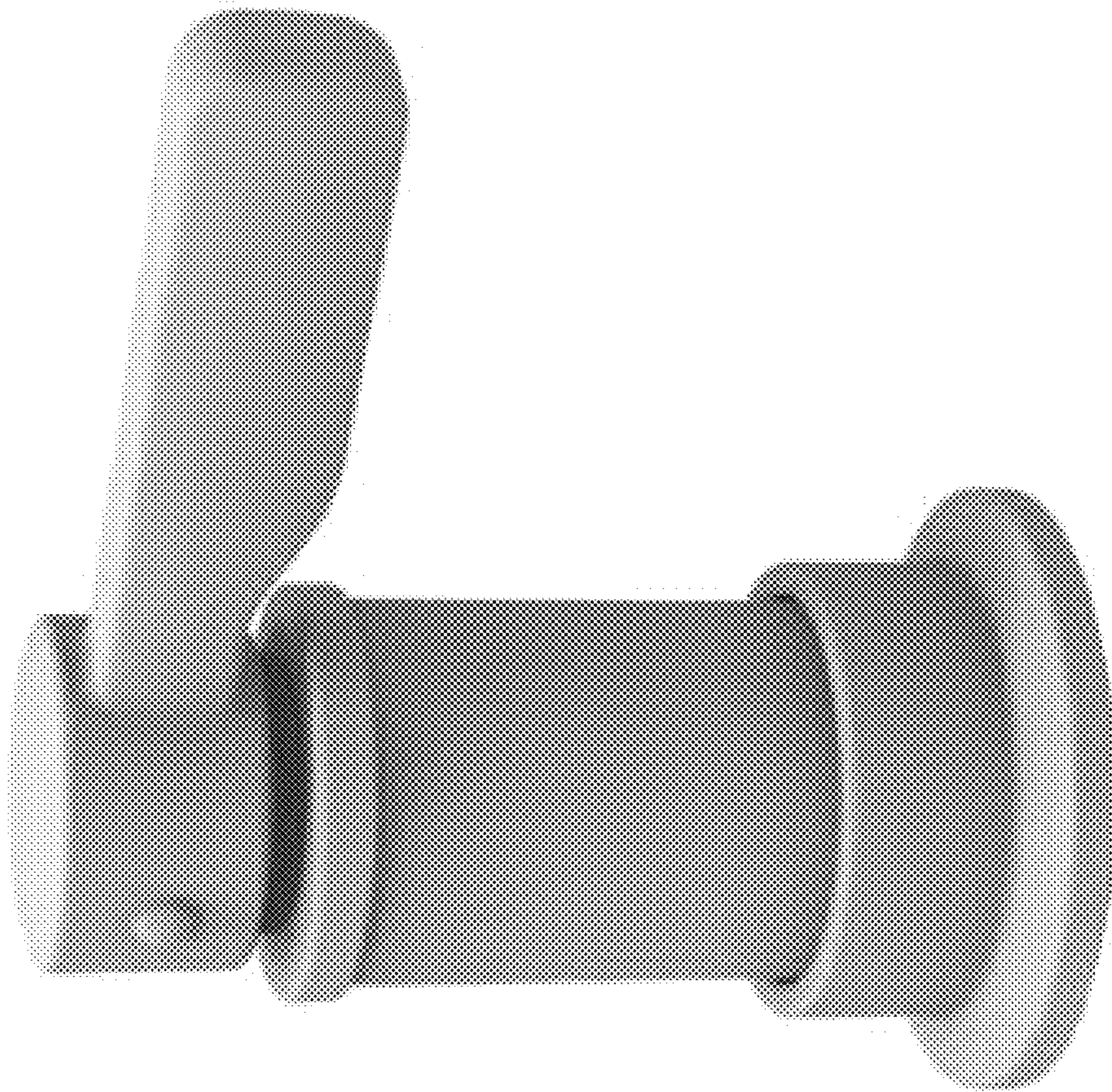


FIG. 1

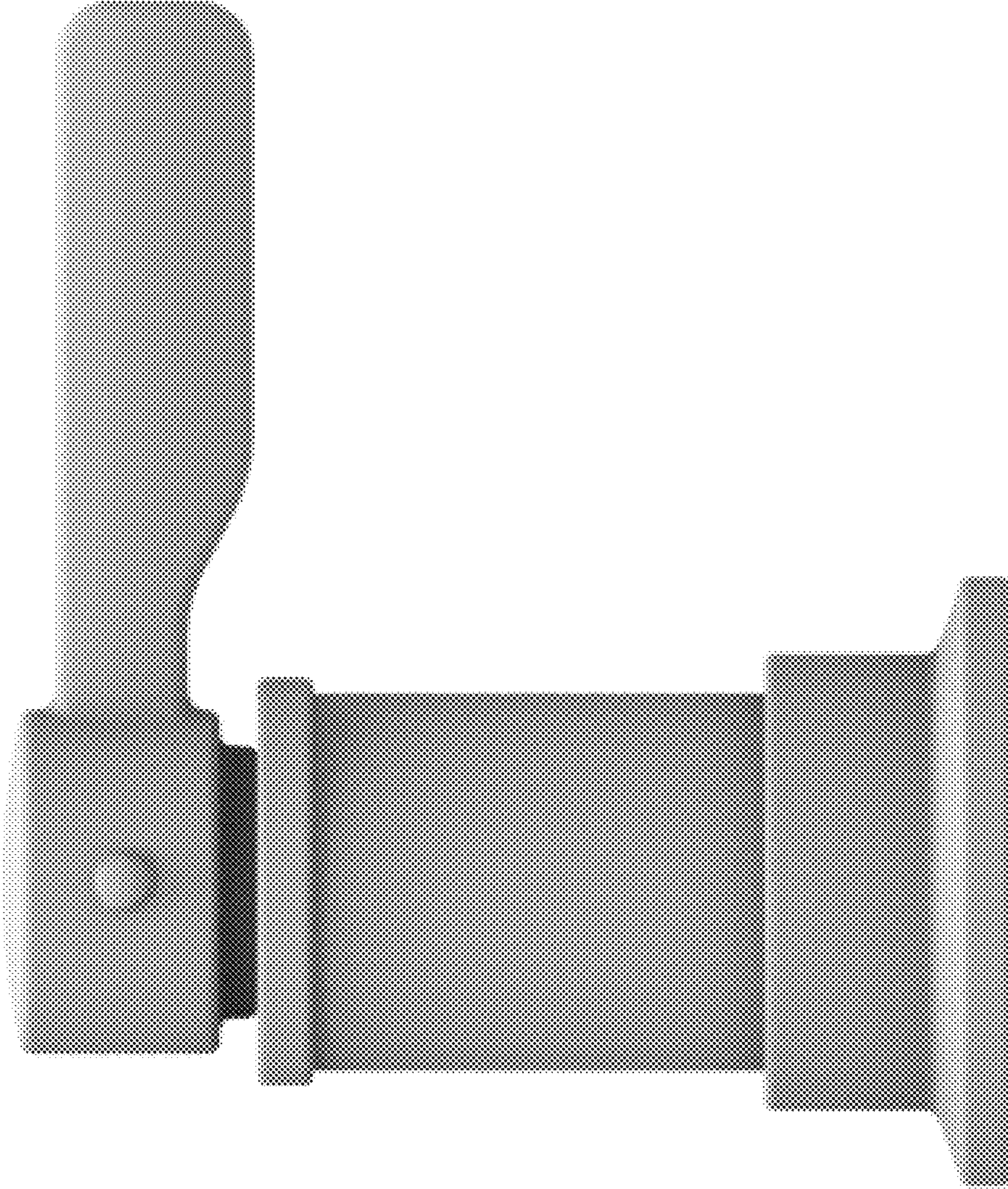


FIG. 2

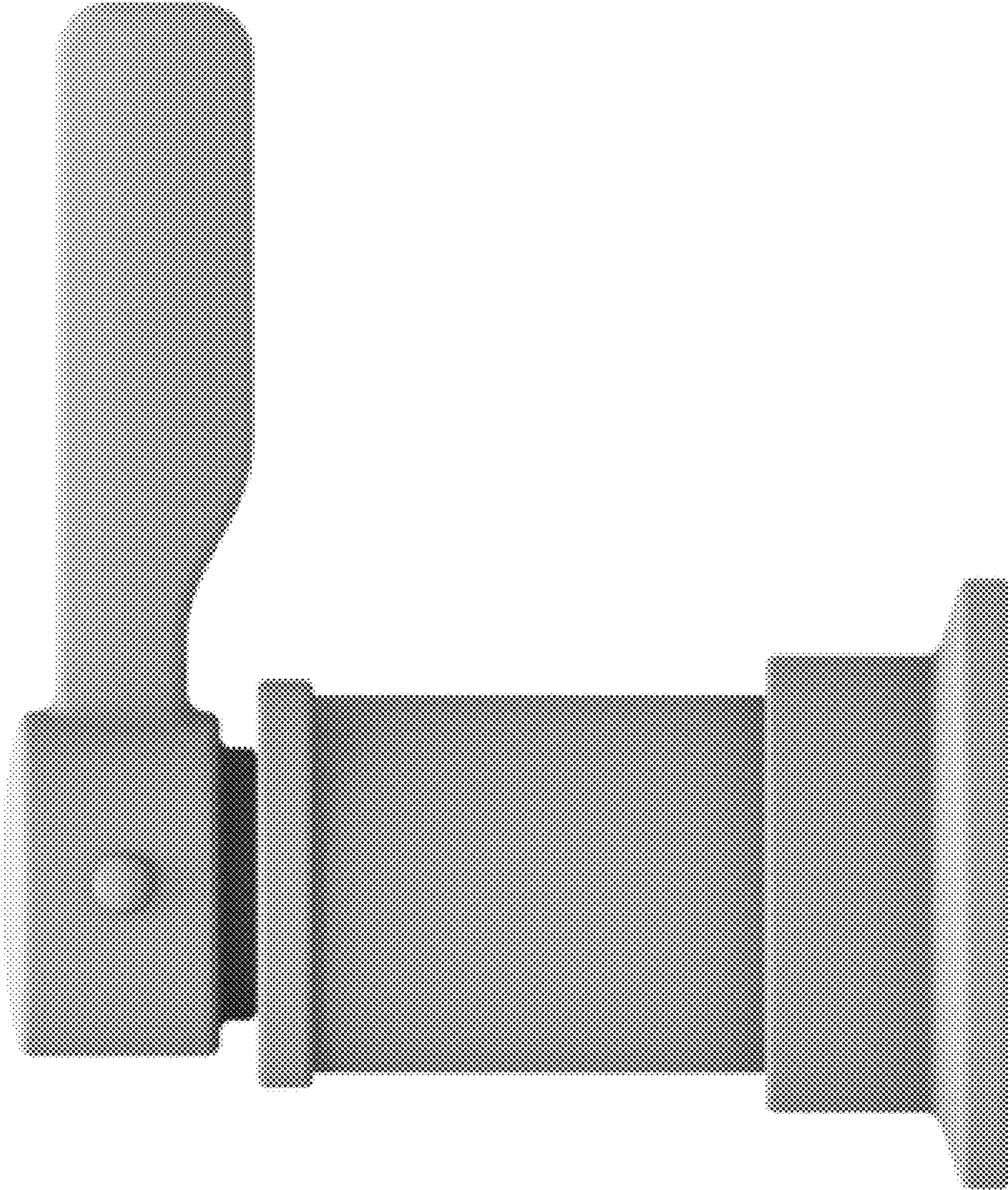


FIG. 3

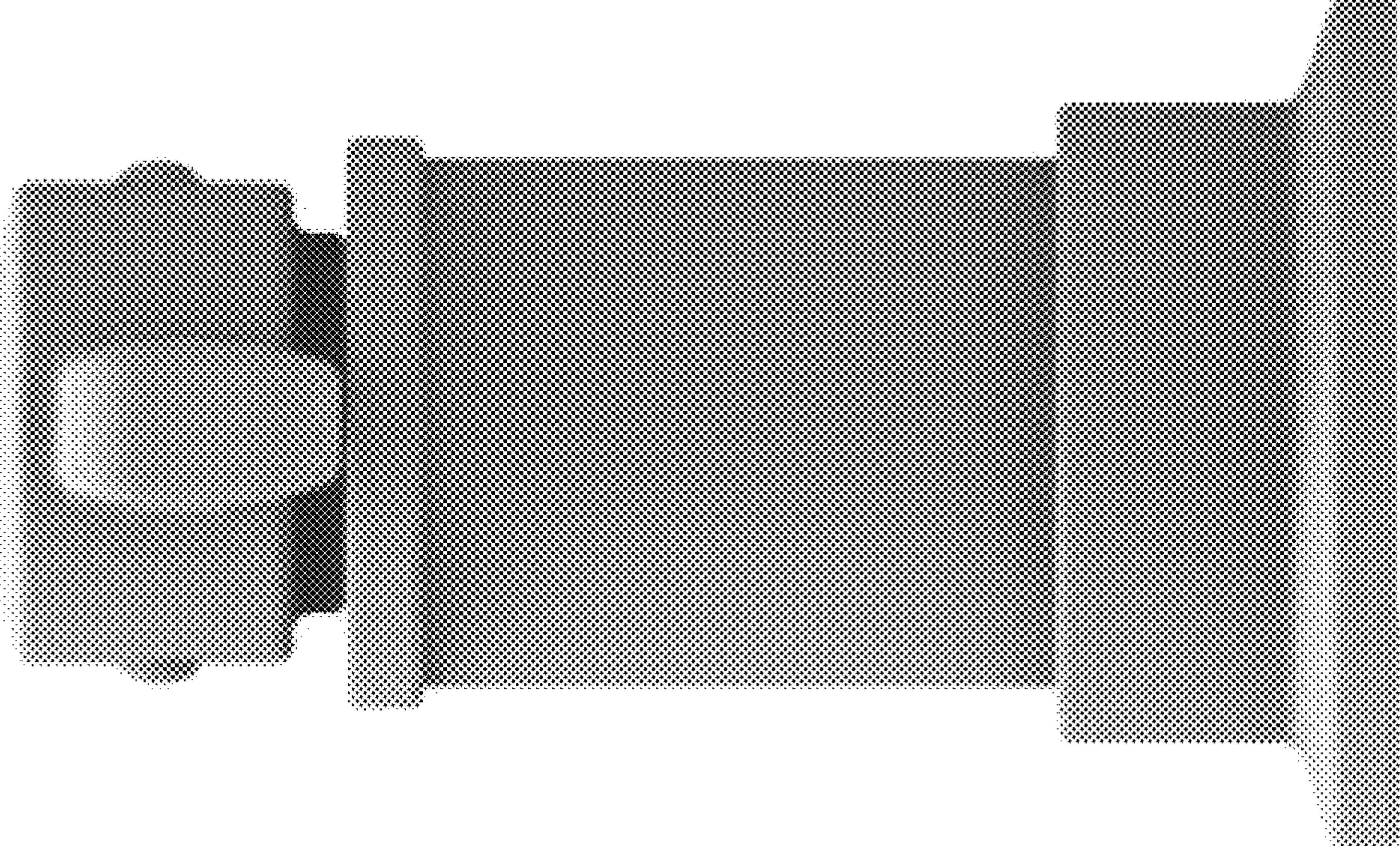


FIG. 4

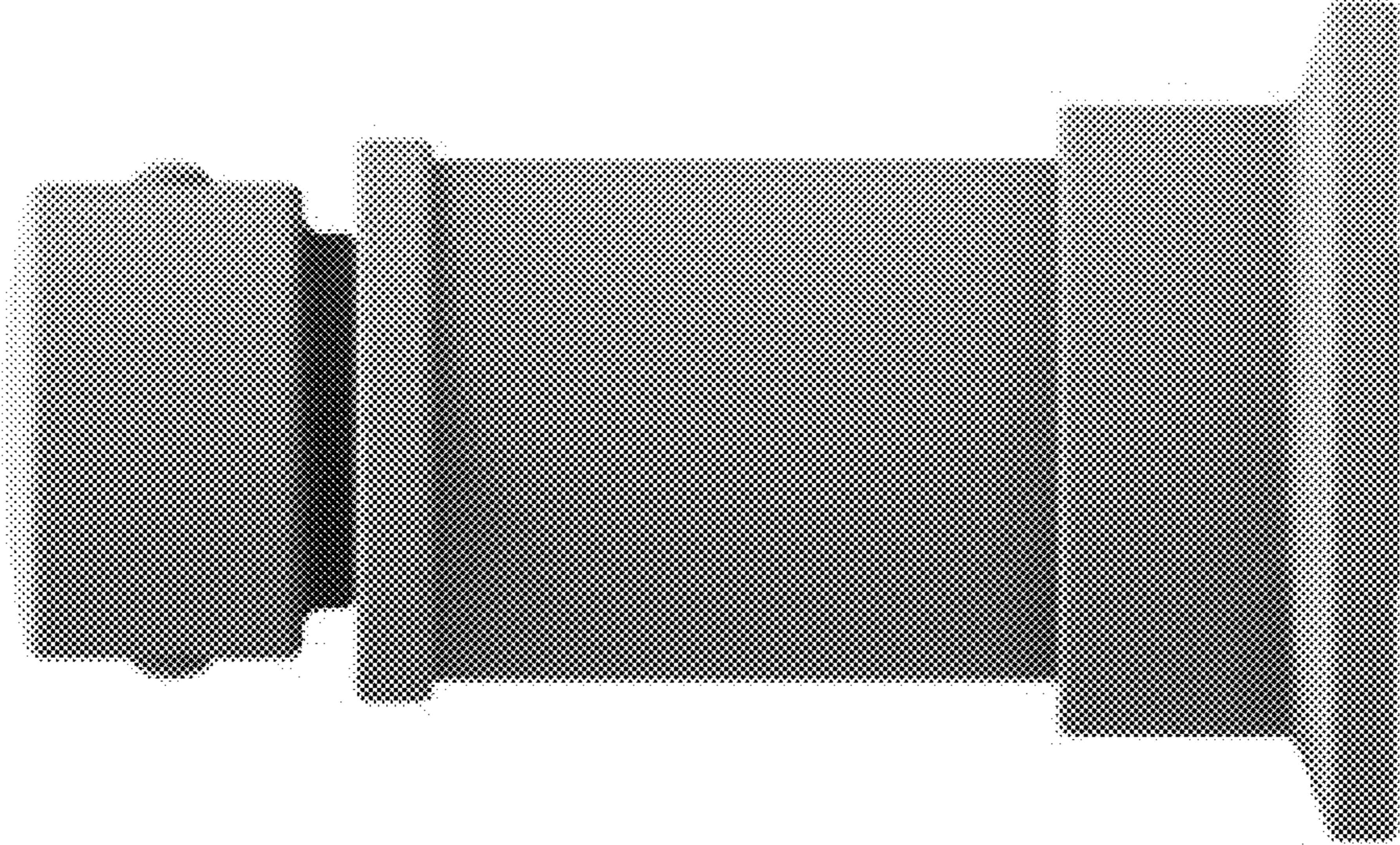


FIG. 5

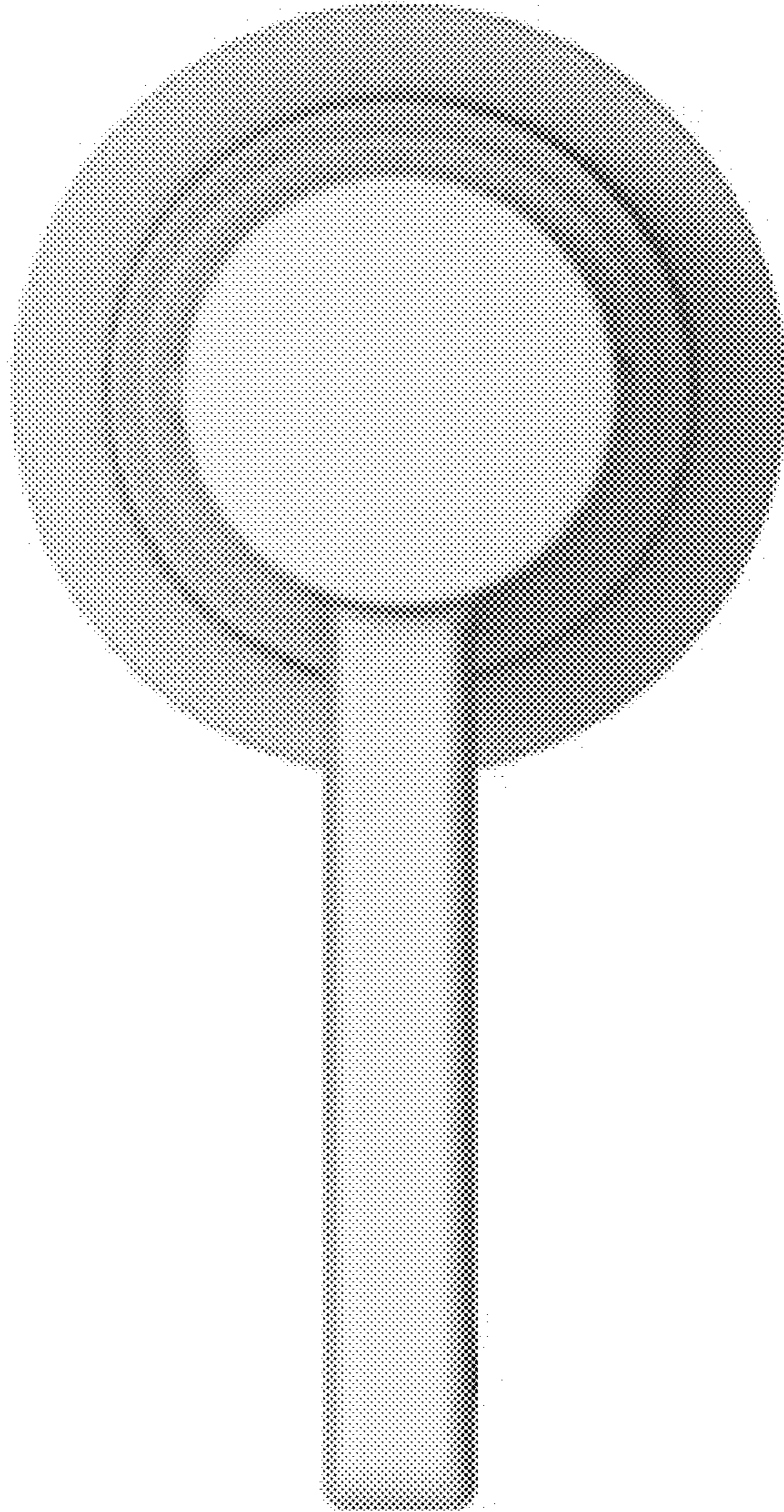


FIG. 6

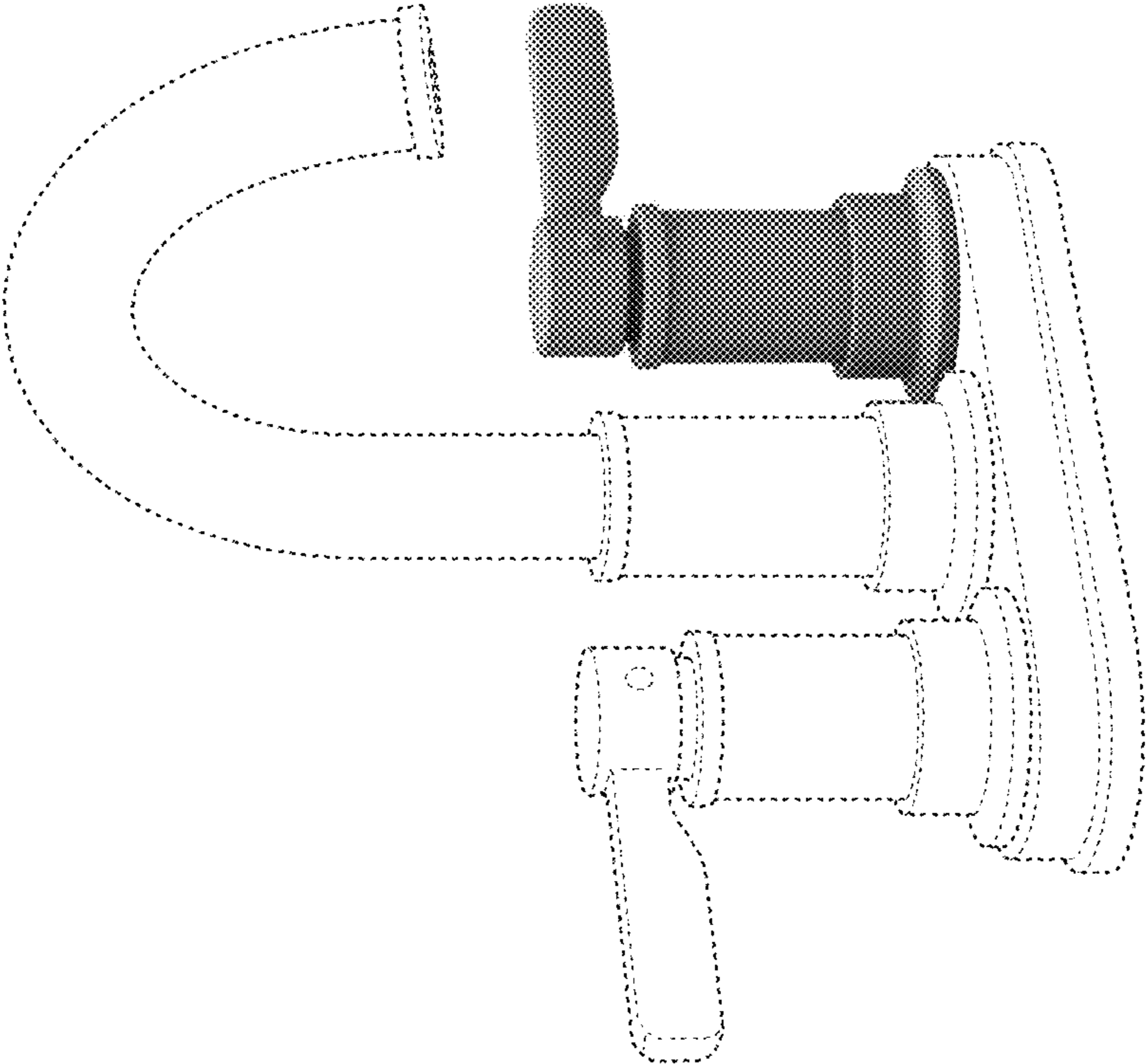


FIG. 7