



US00D797254S

(12) **United States Design Patent**
Zhang

(10) **Patent No.:** **US D797,254 S**

(45) **Date of Patent:** **** Sep. 12, 2017**

(54) **SHOWER HANDLE**

(71) Applicant: **Spectrum Brands, Inc.**, Middleton, WI (US)

(72) Inventor: **Tony Zhang**, Xiamen (CN)

(73) Assignee: **Spectrum Brands, Inc.**, Middleton, WI (US)

(**) Term: **15 Years**

(21) Appl. No.: **29/559,883**

(22) Filed: **Mar. 31, 2016**

(51) **LOC (10) Cl.** **23-01**

(52) **U.S. Cl.**
USPC **D23/252**

(58) **Field of Classification Search**
USPC D23/238-243, 249, 255, 257, 250, 252, D23/254; D8/307-308
CPC E03C 1/0404; E03C 1/0409; E03C 1/02; E03C 1/023; E03C 1/05; E03C 1/0412; G05D 7/0629; Y10T 137/9464
See application file for complete search history.

(56) **References Cited**

U.S. PATENT DOCUMENTS

D460,534 S * 7/2002 Hanna D23/252
D532,486 S * 11/2006 Barry D23/252

D661,374 S * 6/2012 Slothower D23/252
D661,782 S * 6/2012 Slothower D23/252
D683,433 S * 5/2013 Luh D23/252
D721,164 S * 1/2015 Georgeson D23/252
D786,407 S * 5/2017 Clarke D23/252

* cited by examiner

Primary Examiner — Robert Delehanty

(74) *Attorney, Agent, or Firm* — Banner & Witcoff, Ltd.

(57) **CLAIM**

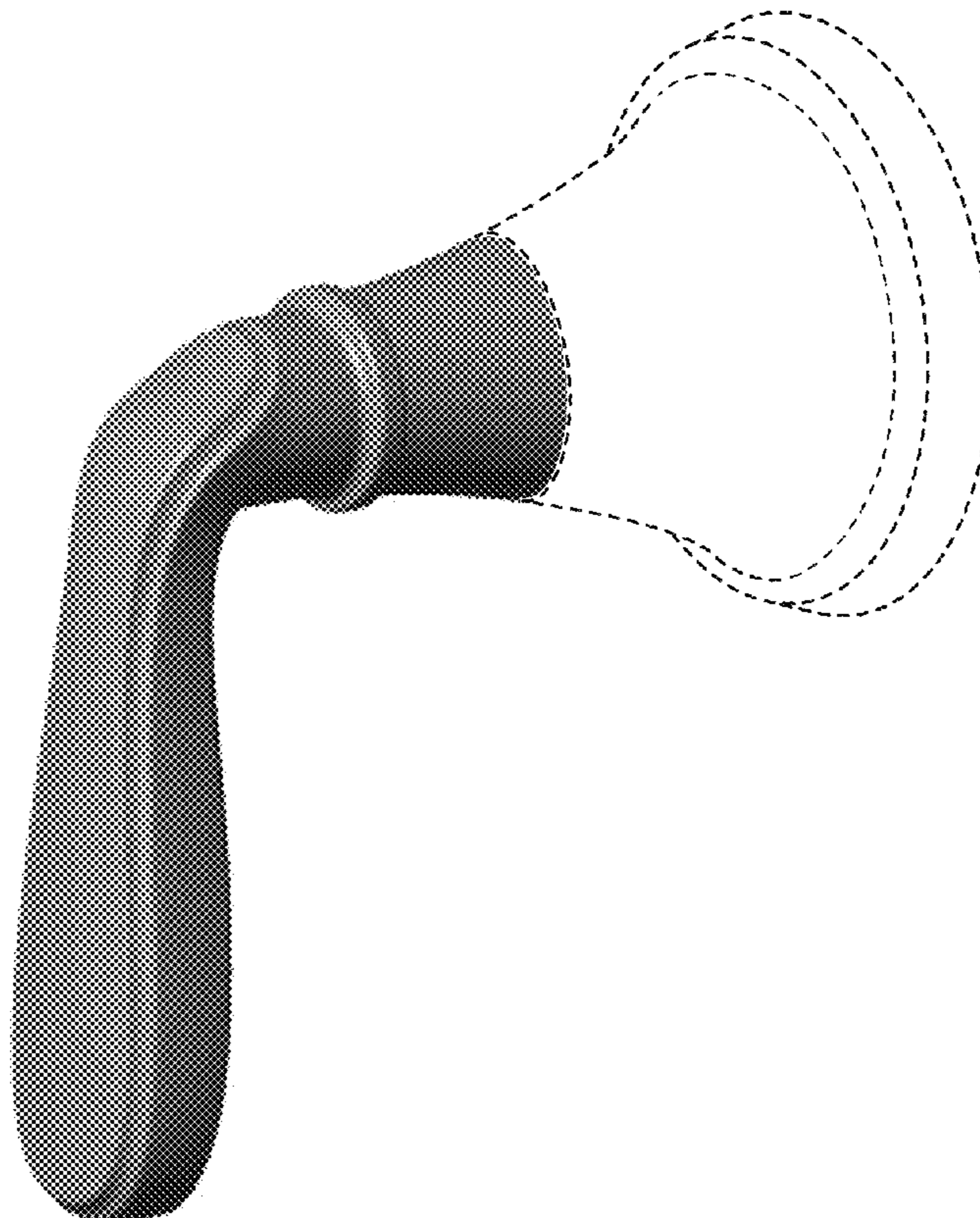
The ornamental design for a shower handle, as shown and described.

DESCRIPTION

FIG. 1 is a front perspective view of a shower handle showing my new design;
FIG. 2 is a front view thereof;
FIG. 3 is a rear view thereof;
FIG. 4 is a right side view thereof;
FIG. 5 is a left side view thereof;
FIG. 6 is a top view thereof; and,
FIG. 7 is a bottom view thereof.

The broken line adjacent to the shaded region located near the midpoint of the handle stem represents in unclaimed boundary of the design. The broken line showing of the remainder of the faucet represents unclaimed areas and forms no part of the claimed design.

1 Claim, 5 Drawing Sheets



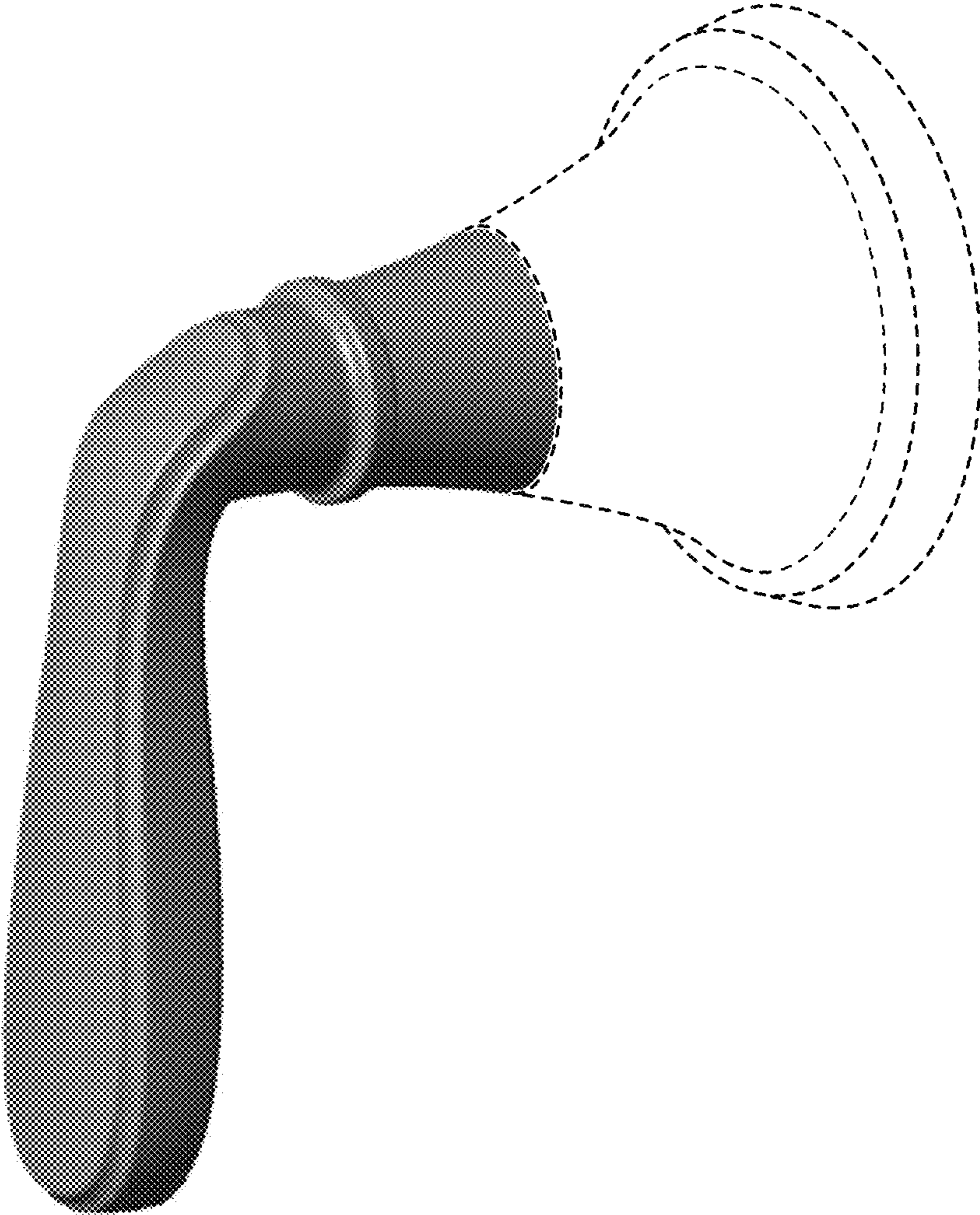


FIG. 1

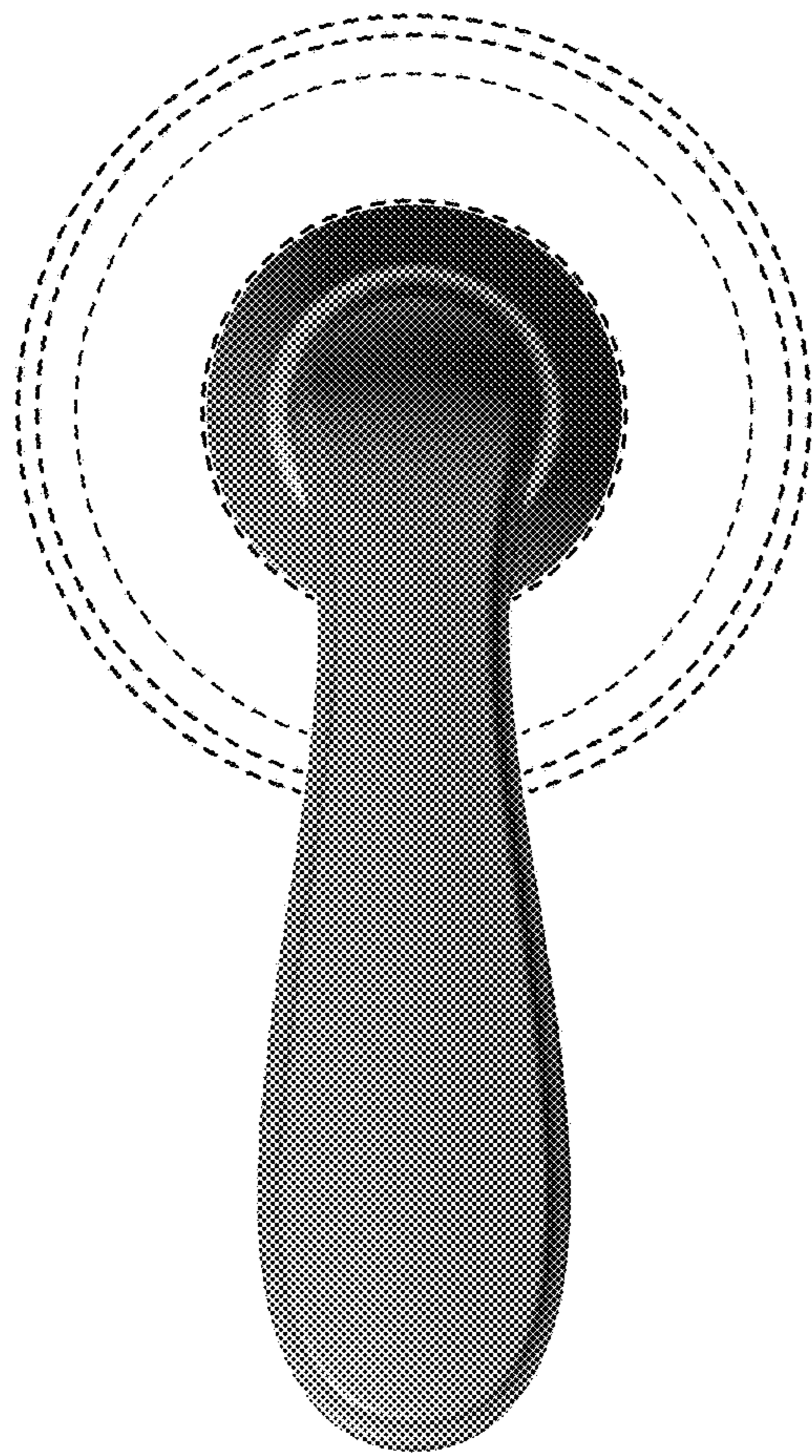


FIG. 2

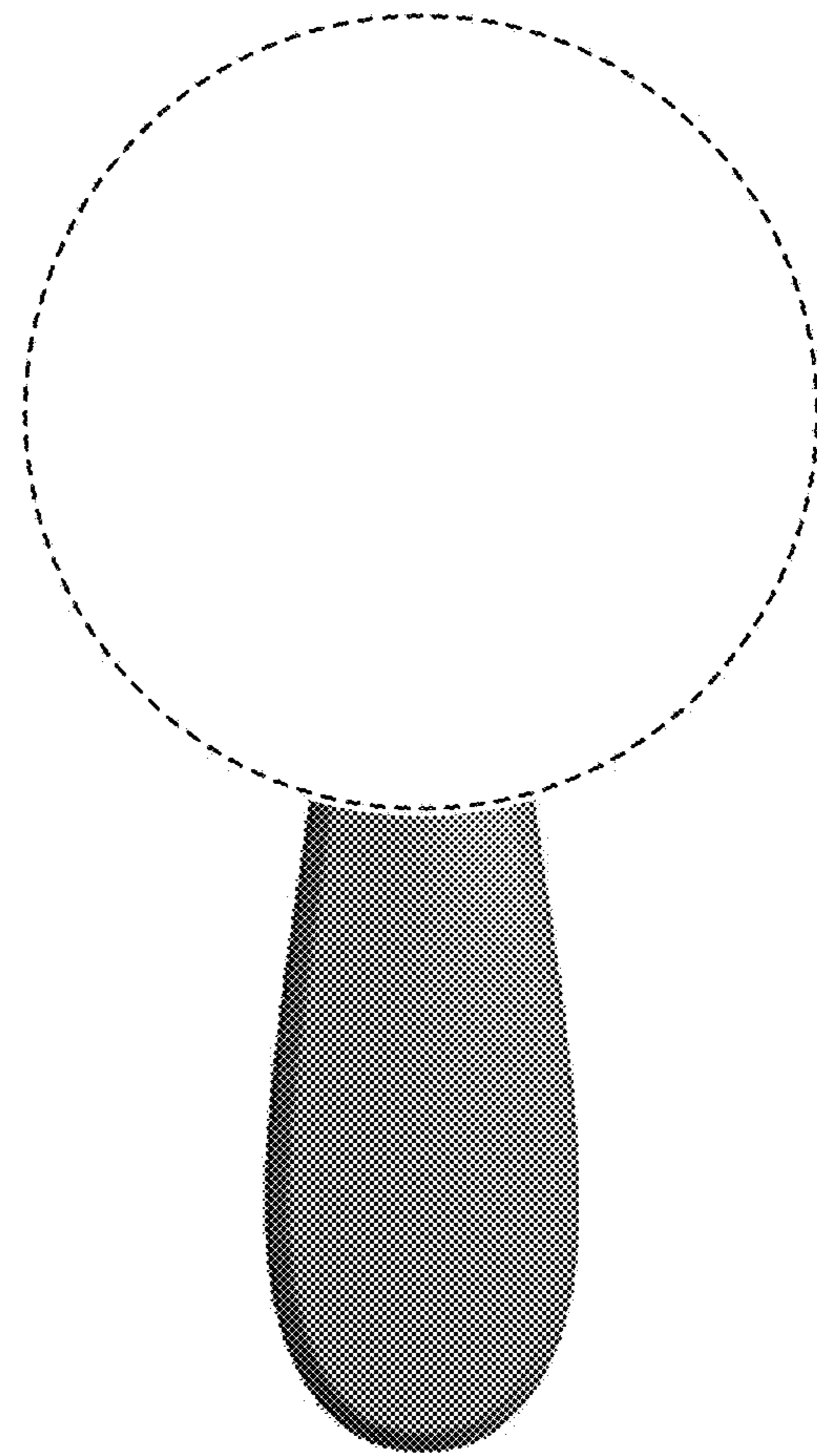


FIG. 3

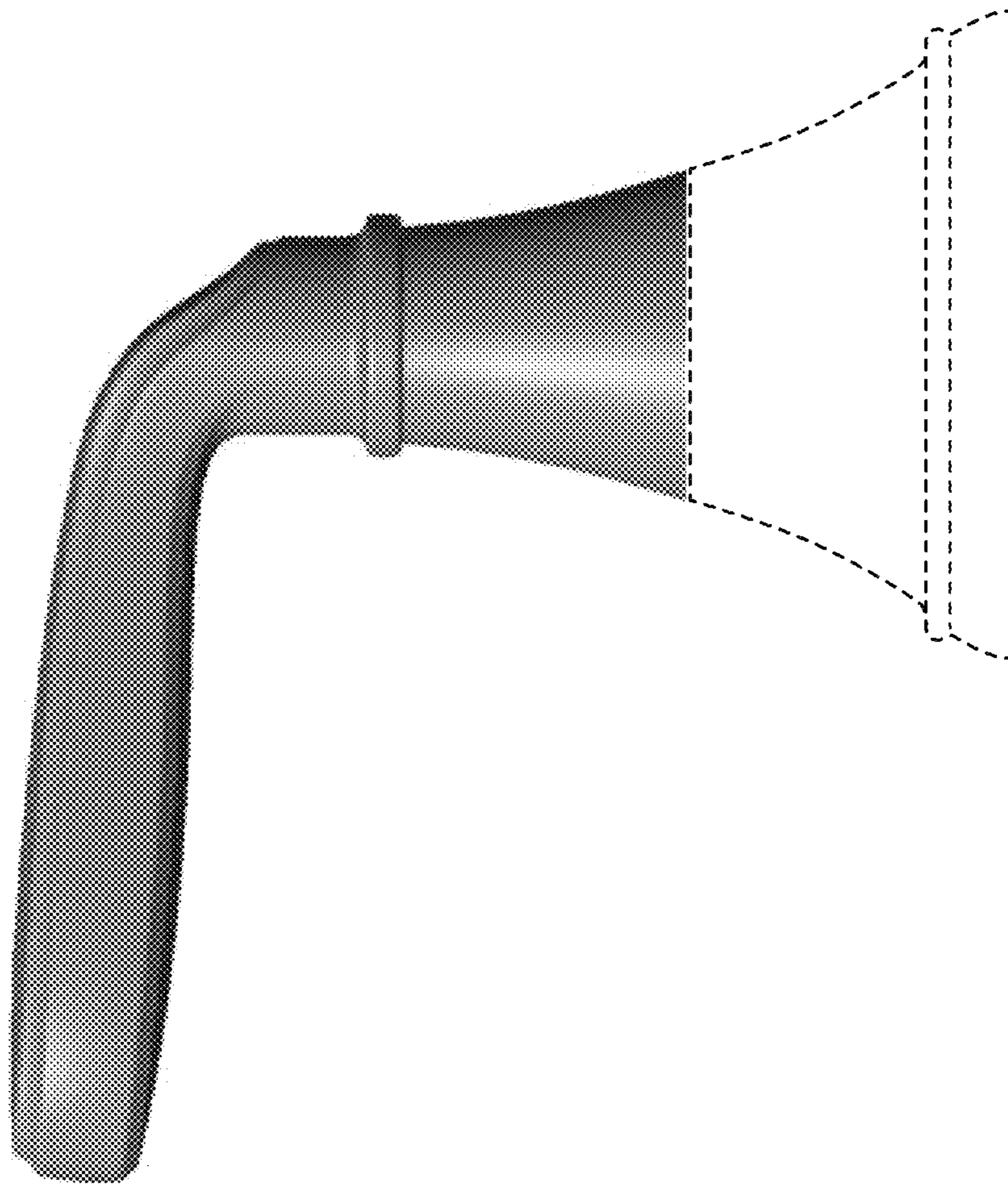


FIG. 4

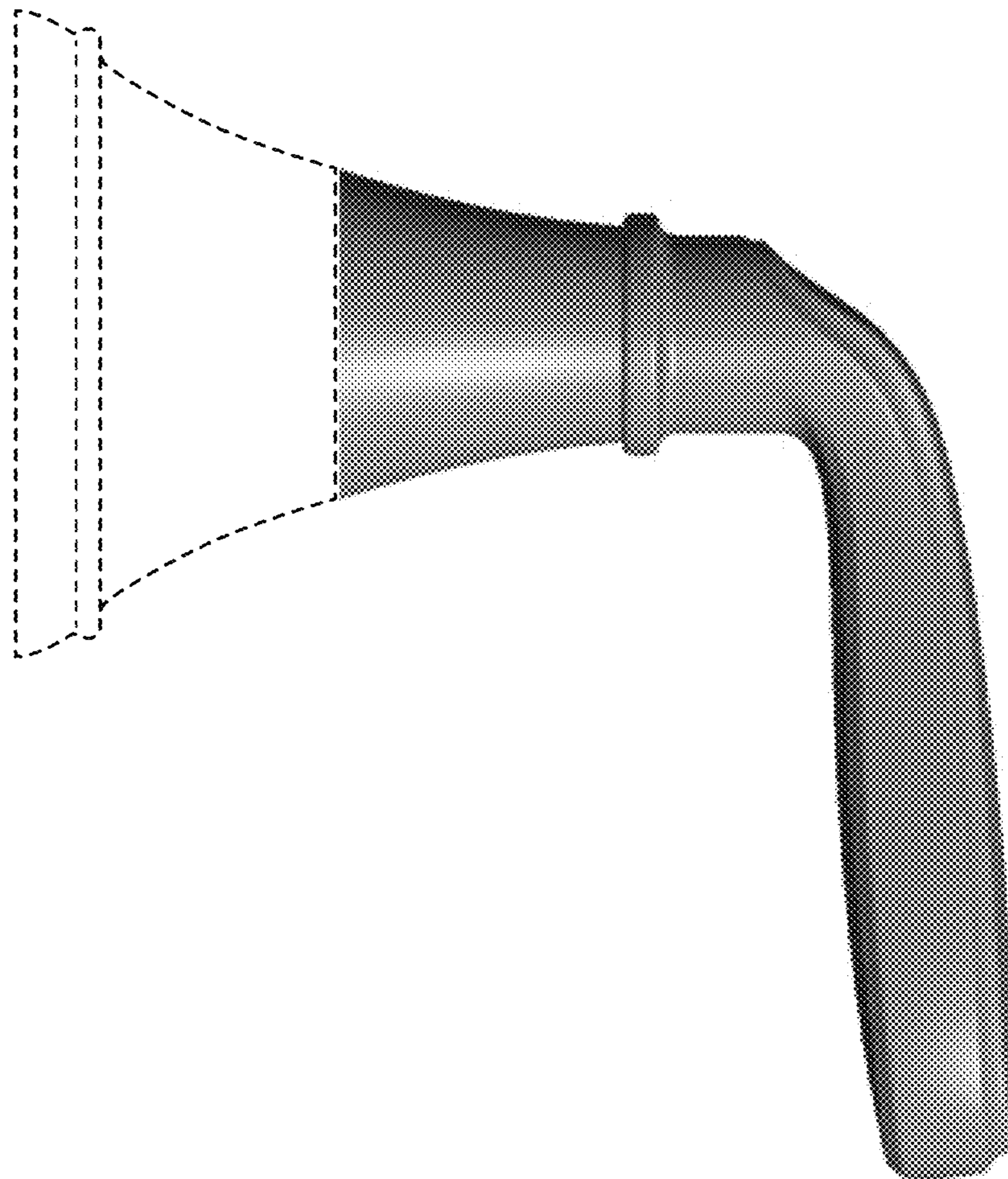


FIG. 5

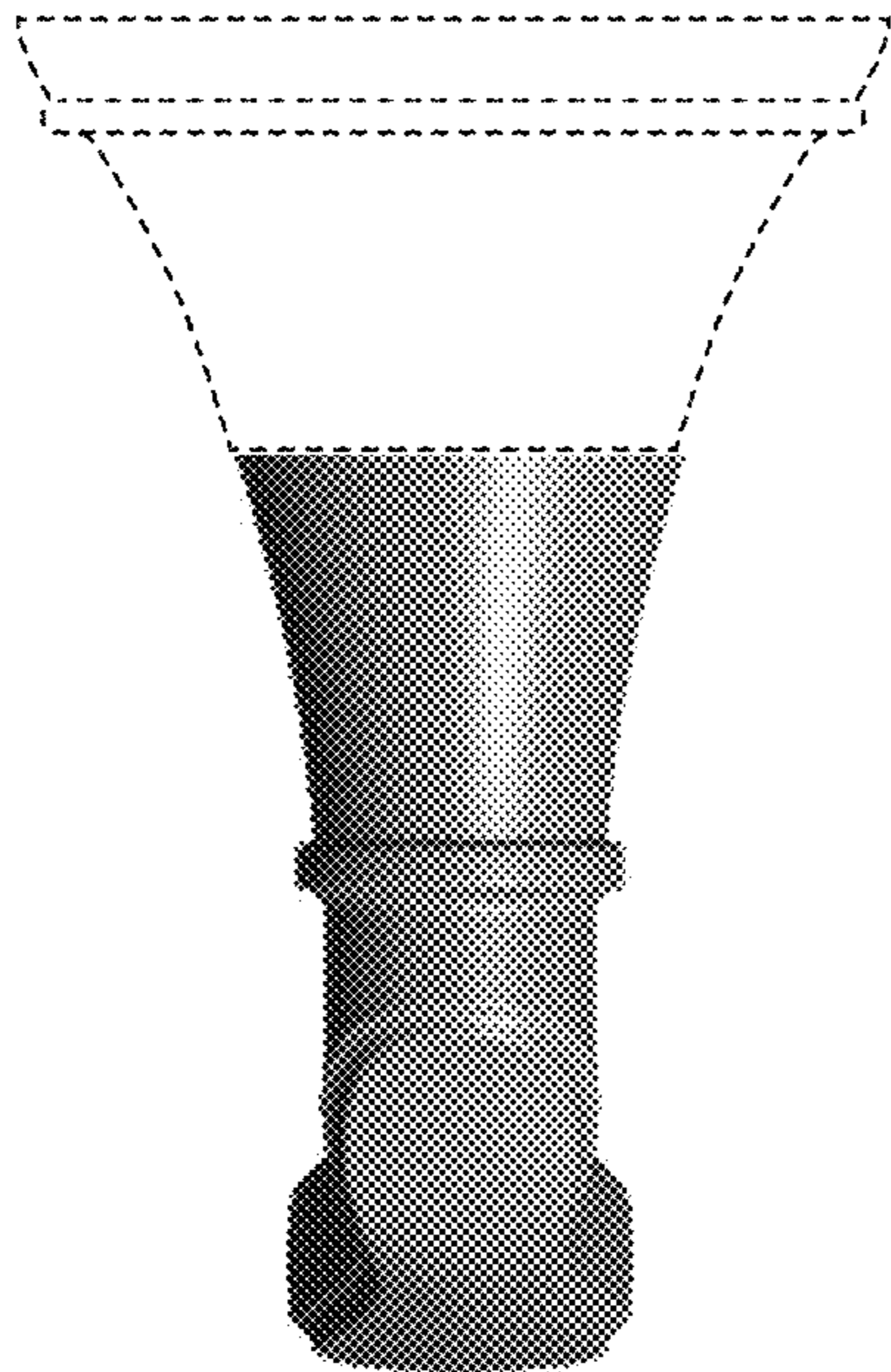


FIG. 6

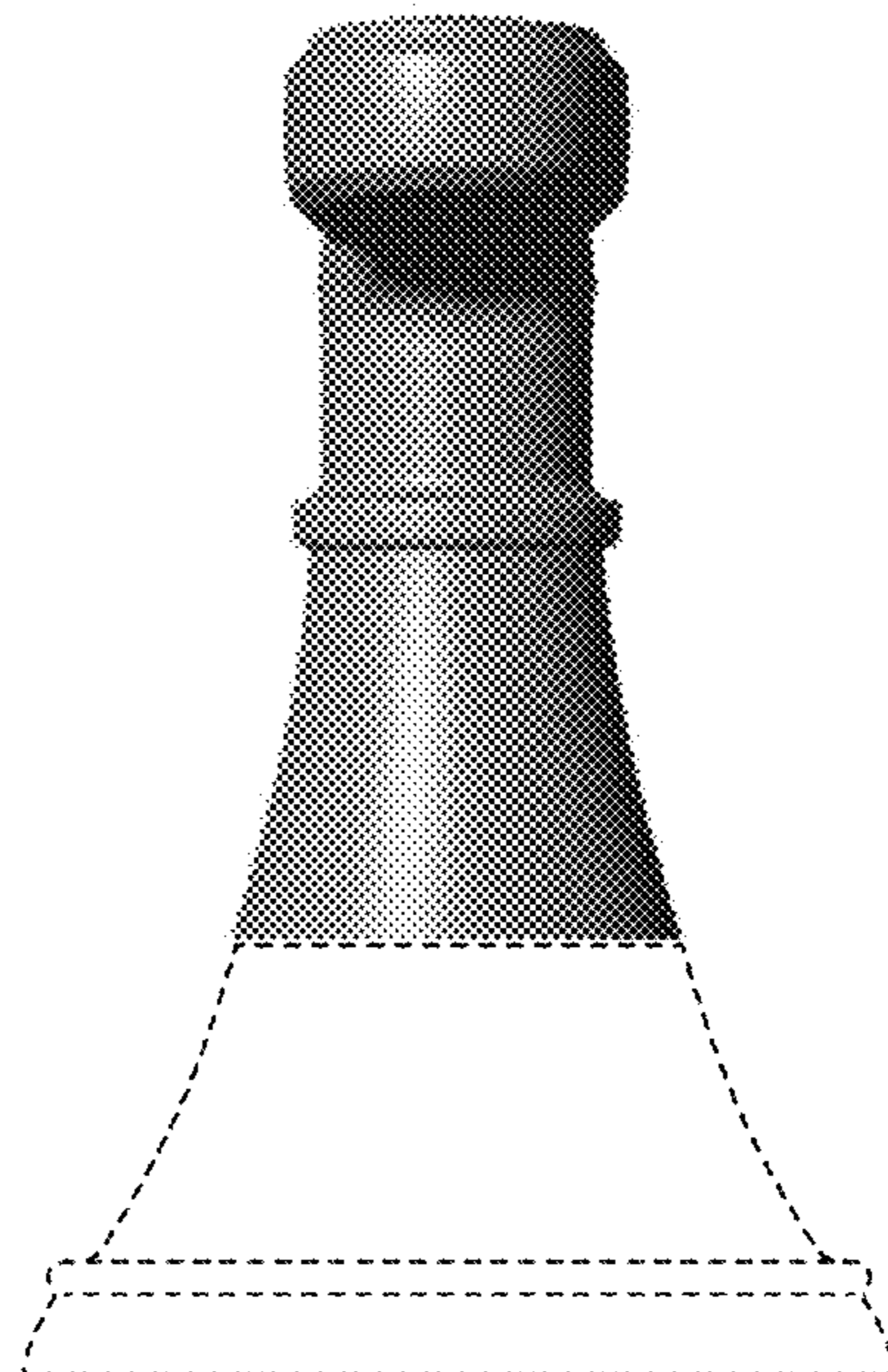


FIG. 7