



US00D797249S

(12) **United States Design Patent** (10) **Patent No.:** **US D797,249 S**  
**Downey** (45) **Date of Patent:** **\*\* Sep. 12, 2017**

(54) **FAUCET**  
(71) Applicant: **Spectrum Brands, Inc.**, Middleton, WI (US)  
(72) Inventor: **David Downey**, Mission Viejo, CA (US)  
(73) Assignee: **Spectrum Brands, Inc.**, Middleton, WI (US)  
(\*\*) Term: **15 Years**  
(21) Appl. No.: **29/558,296**  
(22) Filed: **Mar. 16, 2016**  
(51) **LOC (10) Cl.** ..... **23-01**  
(52) **U.S. Cl.**  
USPC ..... **D23/252**  
(58) **Field of Classification Search**  
USPC ..... D23/238-243, 250, 252, 254, 245;  
D8/300, 307-308, 310  
CPC . E03C 1/00; E03C 1/04; E03C 1/0401; E03C  
1/0402; E03C 1/0404; E03C 1/02; E03C  
1/021; E03C 1/0403; F16K 27/06; F16K  
27/067; F16K 27/0657  
See application file for complete search history.

(56) **References Cited**  
U.S. PATENT DOCUMENTS  
D609,788 S 2/2010 Schoenherr et al.  
D665,880 S \* 8/2012 Flowers ..... D23/252  
D674,056 S 1/2013 Lord  
D687,130 S 7/2013 Garland  
D757,225 S 5/2016 Schoenherr et al.  
D760,354 S \* 6/2016 Citterio ..... D23/238  
D760,358 S 6/2016 Schoenherr et al.  
D760,359 S 6/2016 Citterio

FOREIGN PATENT DOCUMENTS  
CA 82326 S 11/1997  
EM 000805643-0006 10/2007

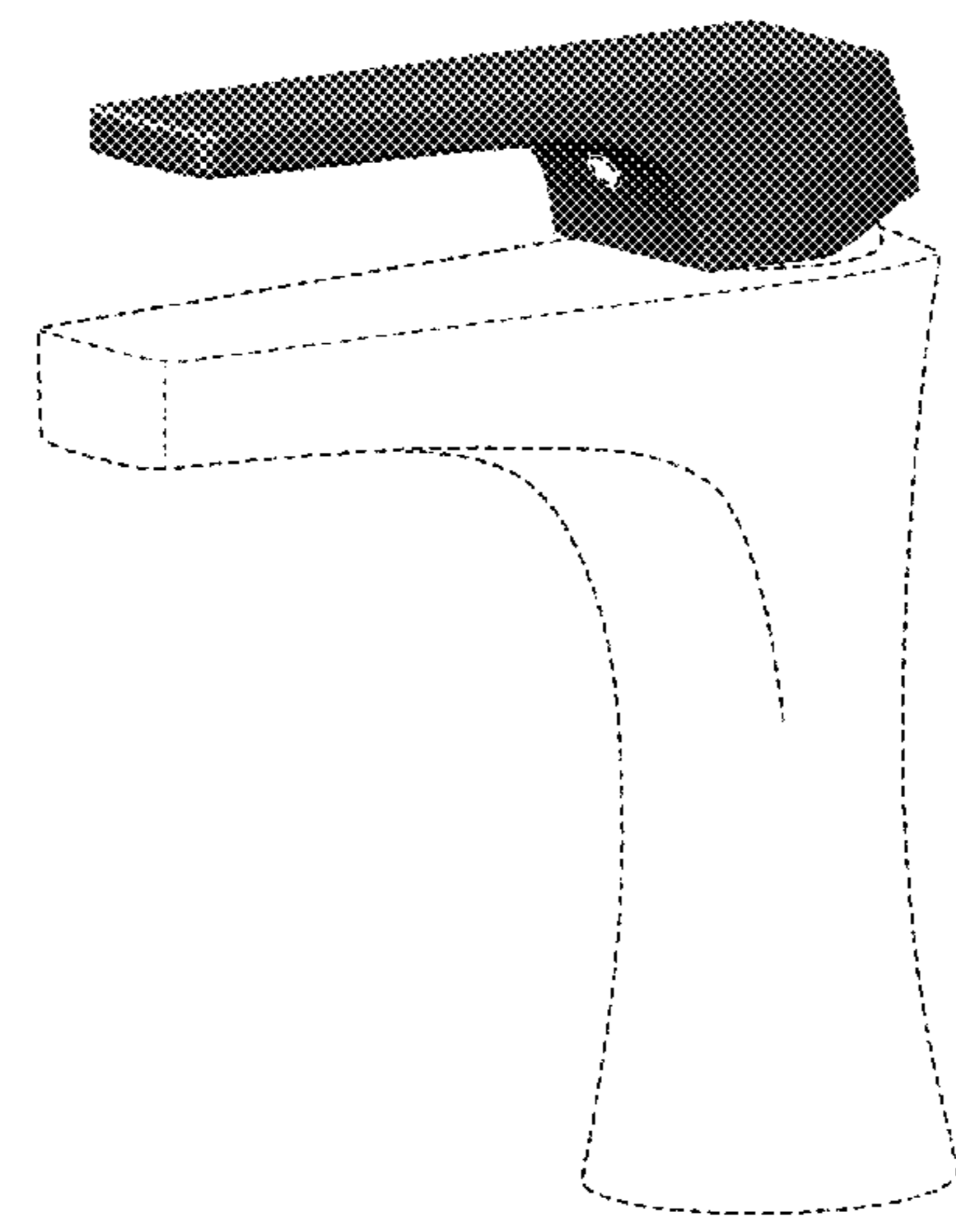
EM 001110605-0002 3/2009  
EM 001110605-0005 3/2009  
EM 001273031-0118 5/2011  
EM 001273031-0119 5/2011  
EM 001336481-0064 9/2012  
EM 001336481-0089 9/2012  
EM 001364400-0073 4/2013  
EM 002260737-0003 6/2013  
EM 002260737-0006 6/2013  
EM 002260737-0007 6/2013  
EM 002625244-0007 2/2015  
EM 002766584-0004 9/2015  
EM 003153154-0001 6/2016  
KR 300814597.0000 9/2015  
KR 300830860.0000 12/2015

\* cited by examiner  
*Primary Examiner* — Robert Delehanty  
(74) *Attorney, Agent, or Firm* — Banner & Witcoff, Ltd.

(57) **CLAIM**  
The ornamental design for a faucet, as shown and described.

**DESCRIPTION**  
FIG. 1 is a front perspective view of a faucet showing my new design;  
FIG. 2 is a front view thereof;  
FIG. 3 is a rear view thereof;  
FIG. 4 is a right side view thereof;  
FIG. 5 is a left side view thereof;  
FIG. 6 is a top plan view thereof; and,  
FIG. 7 is a cross sectional view taken through line 7-7 of FIG. 4.  
The broken line showing of the circular region on the handle in FIGS. 1, 2 and 7, the lower surface regions on the handle in FIG. 7, and of the remainder of the faucet is for environmental purposes only and forms no part of the claimed design.

**1 Claim, 6 Drawing Sheets**



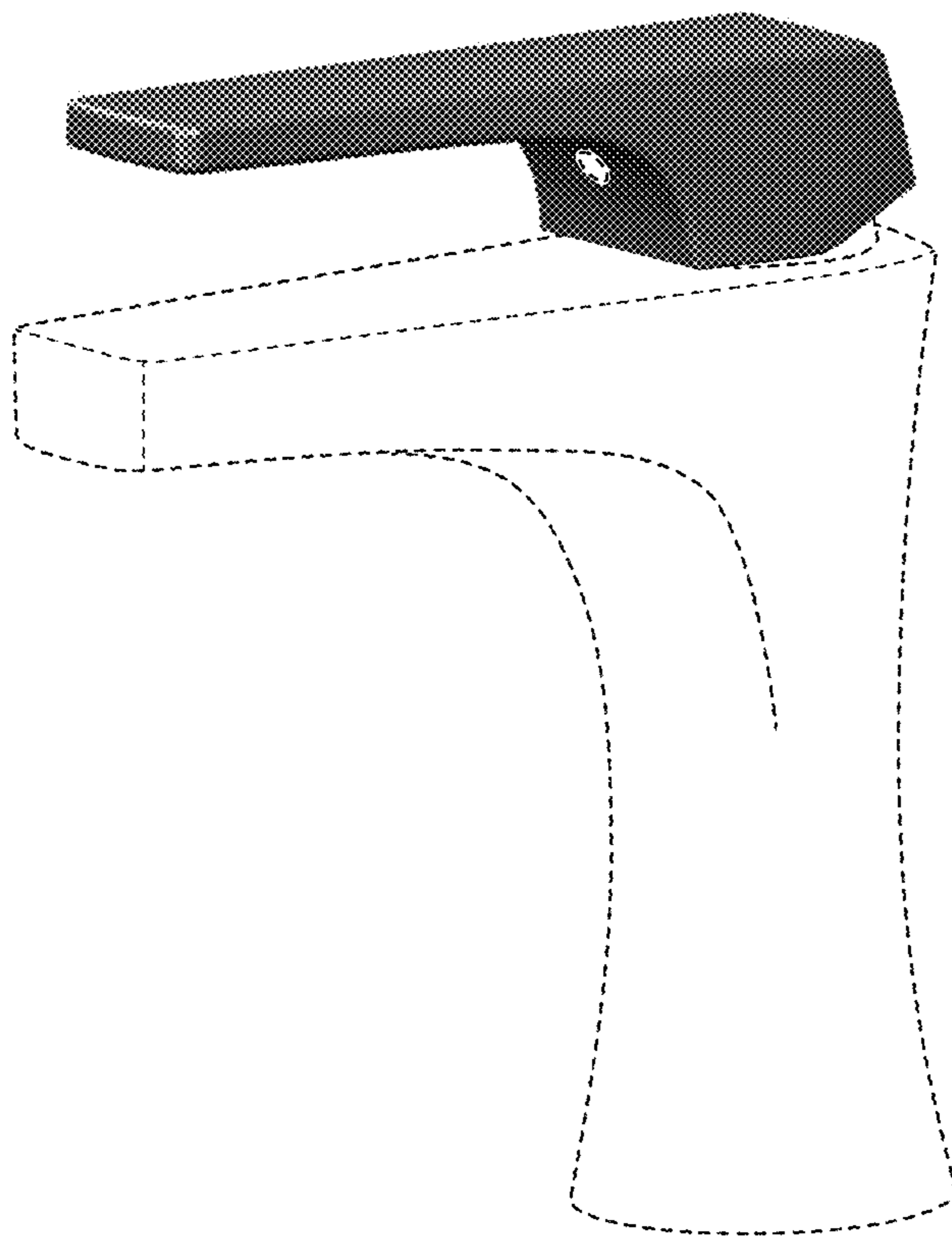


FIG. 1

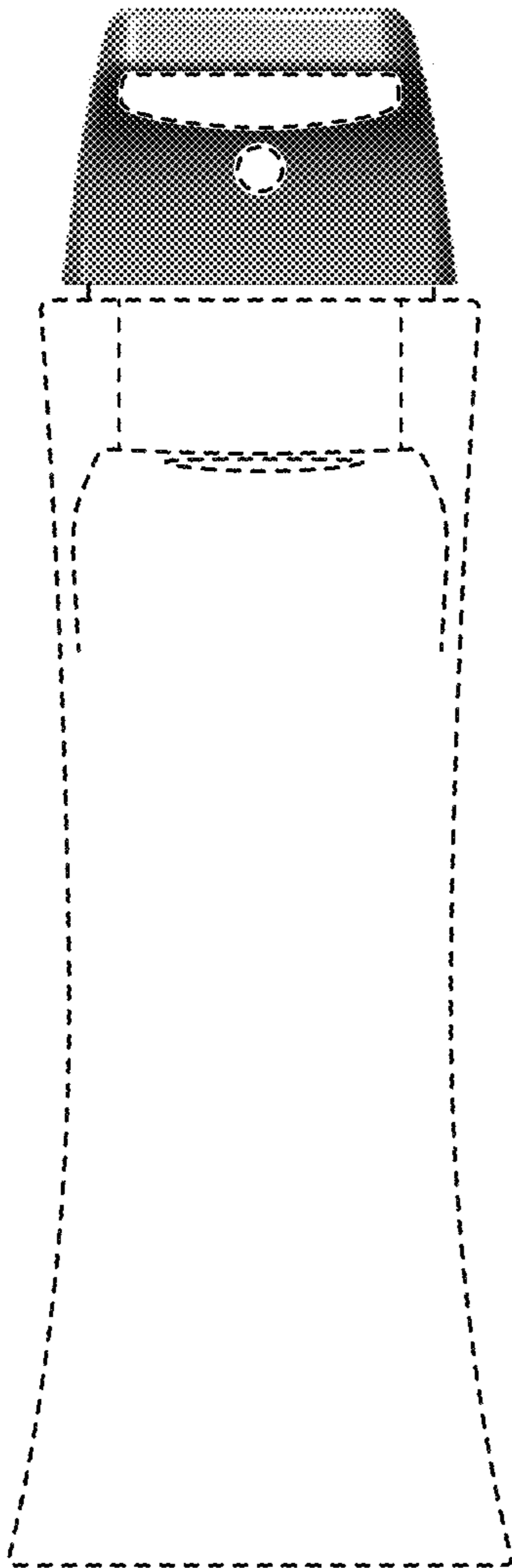


FIG. 2

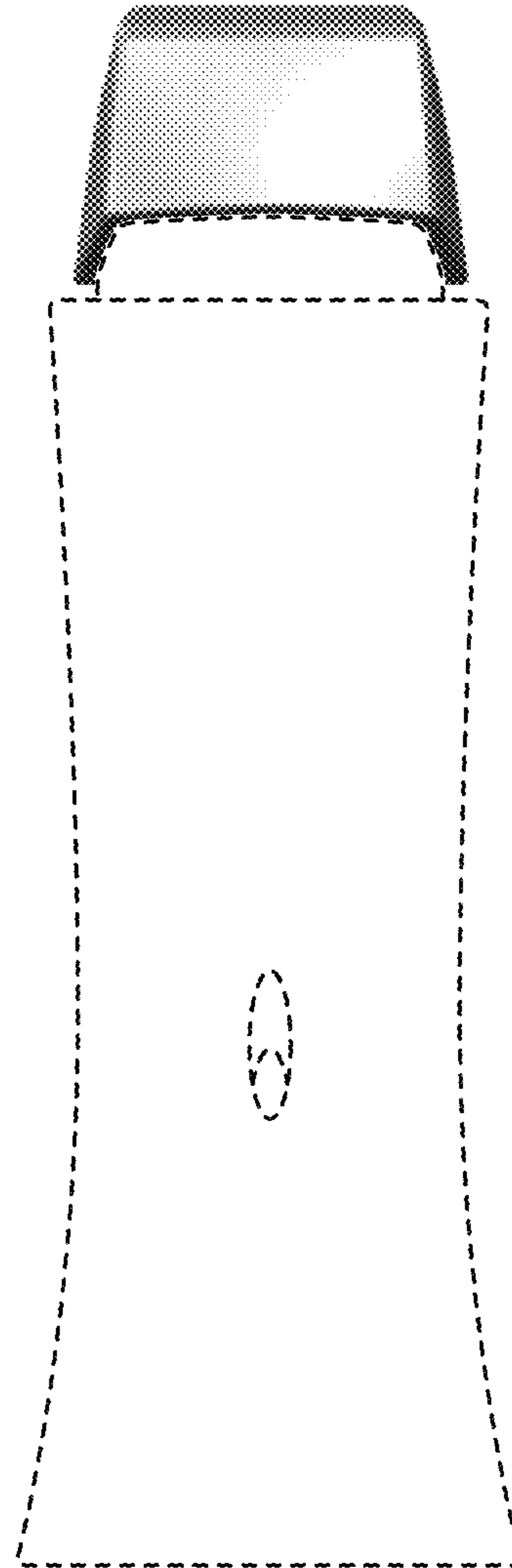


FIG. 3

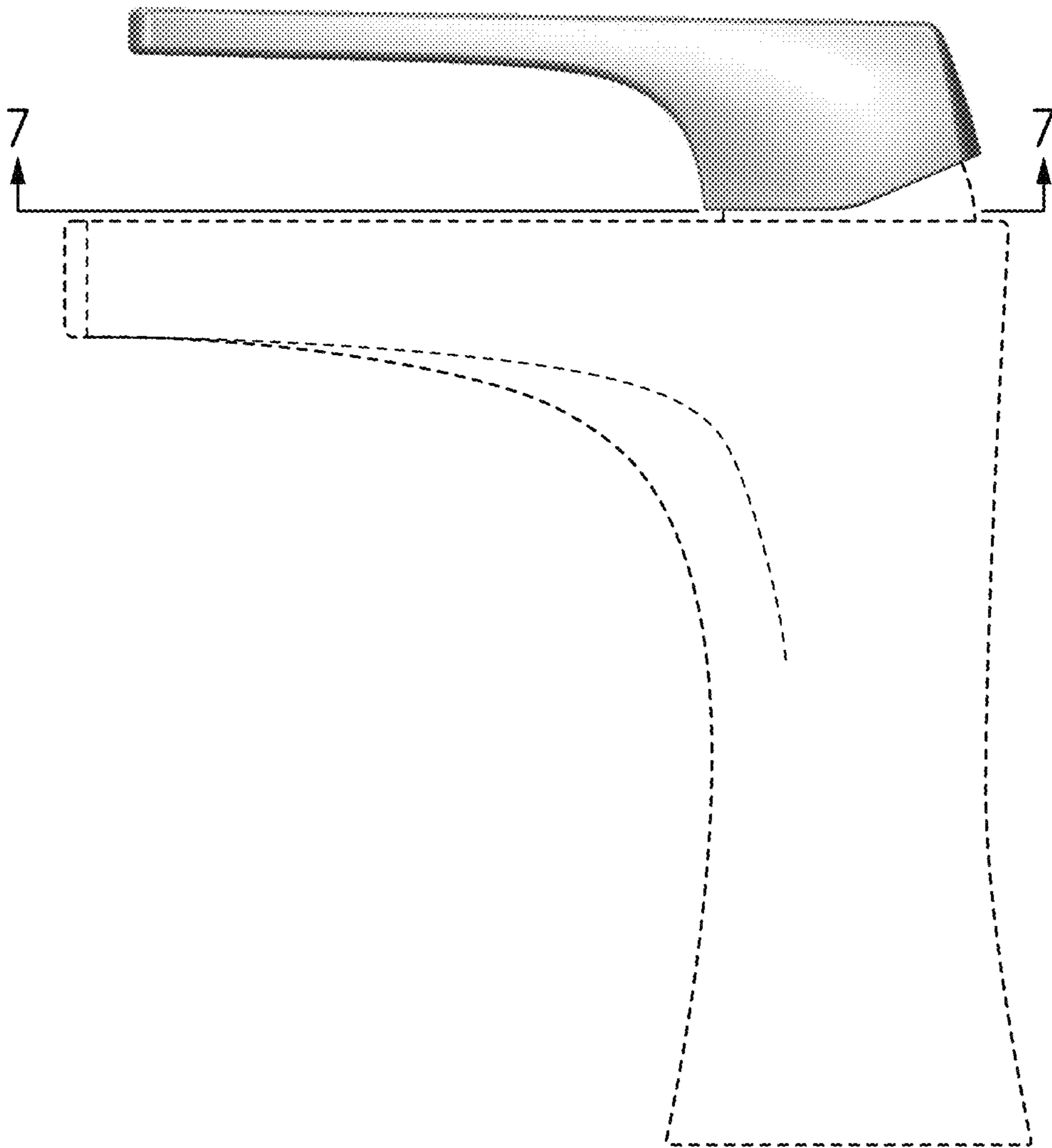


FIG. 4

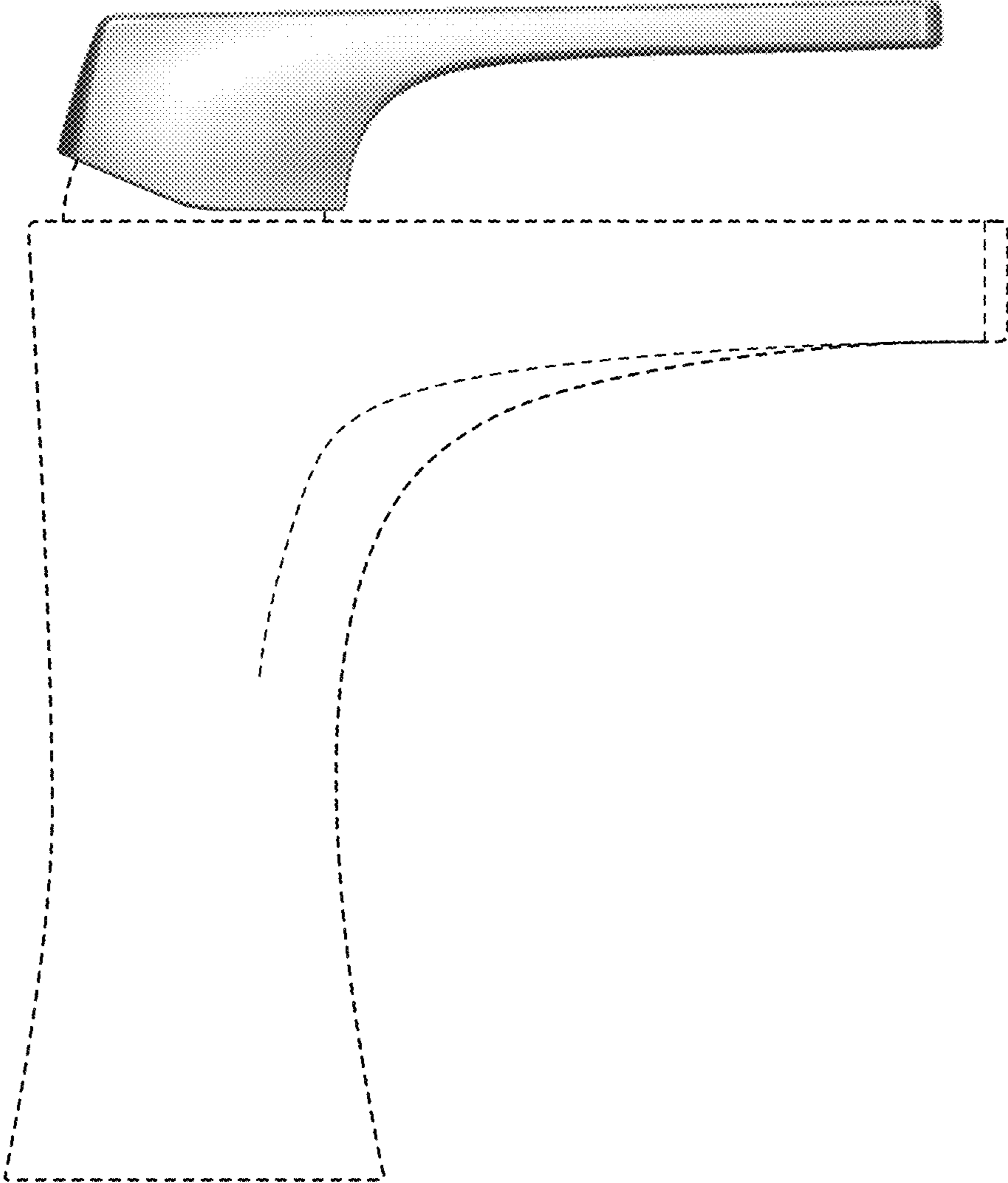


FIG. 5



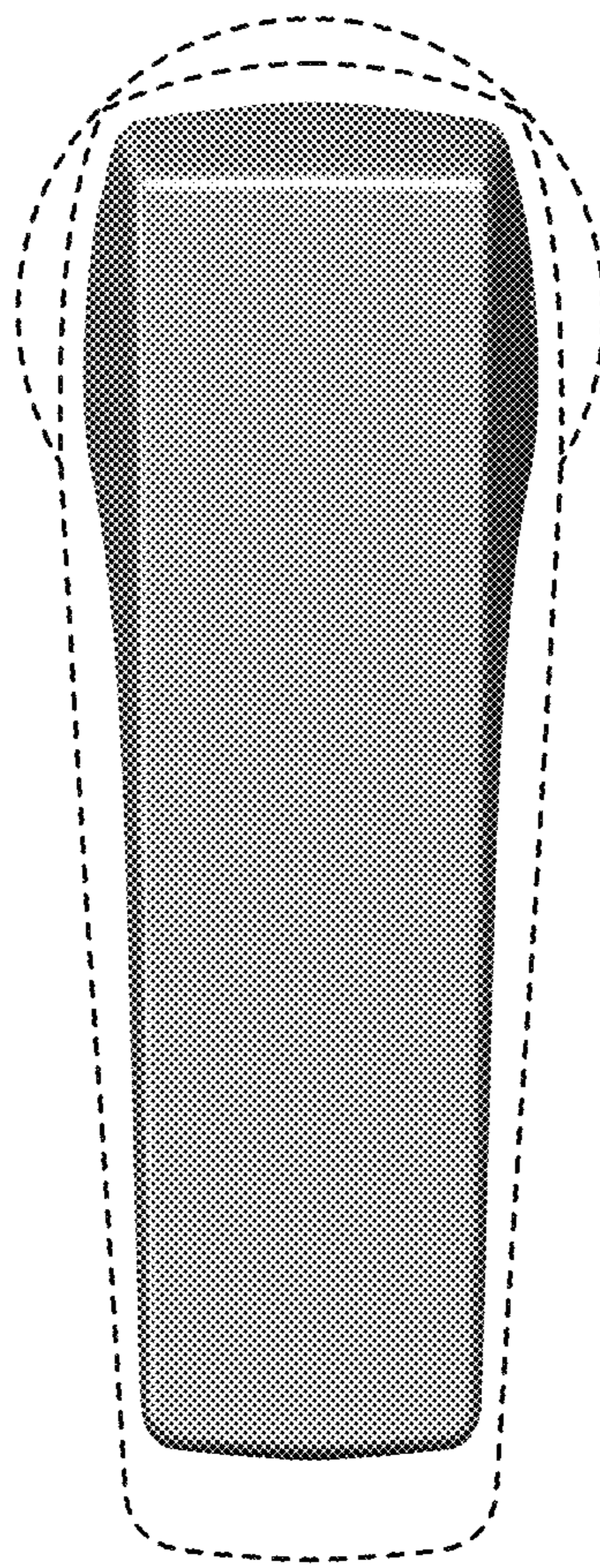


FIG. 6

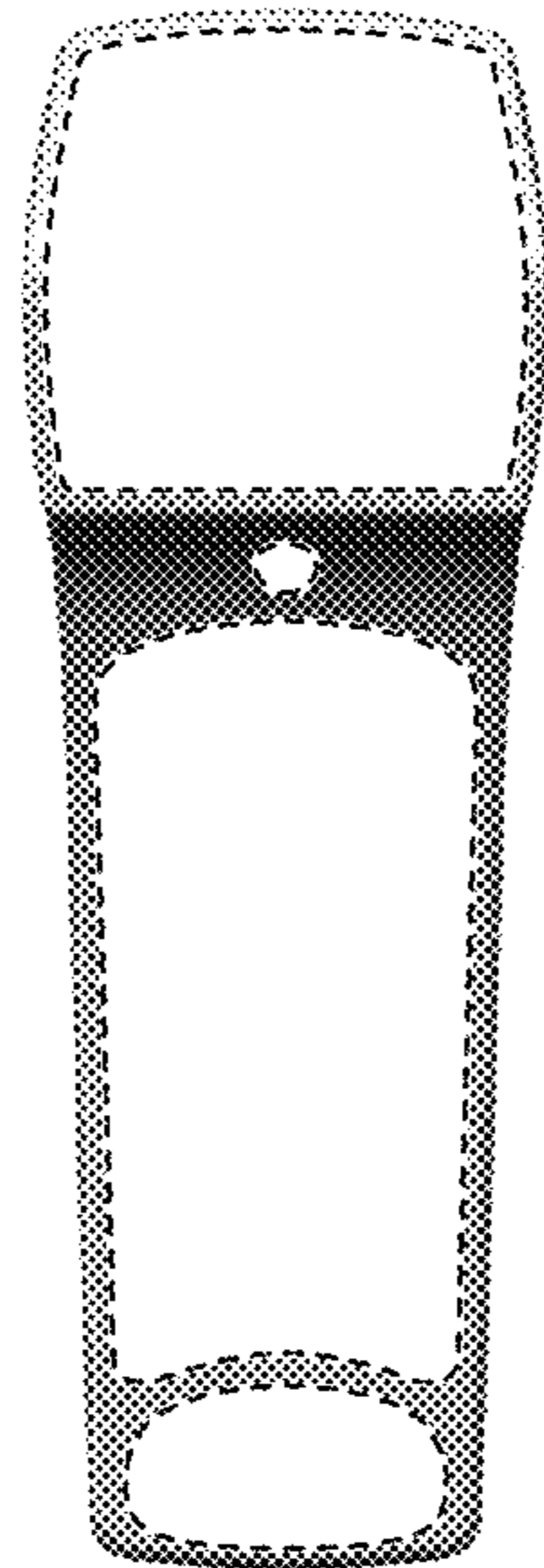


FIG. 7