



US00D797248S

(12) **United States Design Patent** (10) **Patent No.:** **US D797,248 S**  
**Schaubach** (45) **Date of Patent:** **\*\* Sep. 12, 2017**

(54) **FAUCET**  
(71) Applicant: **Spectrum Brands, Inc.**, Middleton, WI (US)  
(72) Inventor: **Lauren Schaubach**, Costa Mesa, CA (US)  
(73) Assignee: **Spectrum Brands, Inc.**, Middleton, WI (US)

D531,700 S 11/2006 Svendsen et al.  
D532,085 S 11/2006 Svendsen et al.  
D636,063 S 4/2011 Shieh  
D651,692 S \* 1/2012 Vanderheyden ..... D23/252  
D682,992 S 5/2013 Obara et al.  
D682,993 S 5/2013 Mendoza et al.  
9,221,668 B1 \* 12/2015 Reyniers ..... A01K 63/006  
D755,932 S \* 5/2016 Fritz ..... D23/242  
2004/0088786 A1 \* 5/2004 Malek ..... E03C 1/0404  
4/677

(\*\*) Term: **15 Years**  
(21) Appl. No.: **29/561,353**  
(22) Filed: **Apr. 15, 2016**  
(51) **LOC (10) Cl.** ..... **23-01**  
(52) **U.S. Cl.**  
USPC ..... **D23/242**  
(58) **Field of Classification Search**  
USPC ..... D23/238-242, 249-250, 252, 254-255, D23/257, 245  
CPC . E03C 1/00; E03C 1/04; E03C 1/0401; E03C 1/0402; E03C 1/0404; E03C 1/02; E03C 1/021; E03C 1/0403; F16K 27/06; F16K 27/067; F16K 27/0657  
See application file for complete search history.

**FOREIGN PATENT DOCUMENTS**

CA 86501 S 4/1999  
CN 301465870 2/2011  
CN 301493046 3/2011  
CN 301500092 3/2011  
CN 301515752 4/2011  
CN 303070871 1/2015  
CN 303711926 6/2016

\* cited by examiner

*Primary Examiner* — Robert Delehanty  
(74) *Attorney, Agent, or Firm* — Banner & Witcoff, Ltd.

(57) **CLAIM**

The ornamental design for a faucet, as shown and described.

**DESCRIPTION**

FIG. 1 is a front perspective view of a faucet showing my new design;  
FIG. 2 is a front view thereof;  
FIG. 3 is a rear view thereof;  
FIG. 4 is a left side view thereof;  
FIG. 5 is a right side view thereof; and,  
FIG. 6 is a top view thereof.  
The broken line showing of the of the circular spout opening in FIGS. 1 and 2 represents disclaimed subject matter and forms no part of the claimed design.

(56) **References Cited**  
U.S. PATENT DOCUMENTS

D399,926 S 10/1998 Lord  
D406,318 S 3/1999 Lord  
D447,542 S \* 9/2001 Dretzka ..... D23/252  
D461,540 S \* 8/2002 Gottwald ..... D23/243  
D468,402 S \* 1/2003 Panis ..... D23/241  
D505,714 S \* 5/2005 Dretzka ..... D23/252  
D516,675 S 3/2006 Kakihana

**1 Claim, 6 Drawing Sheets**



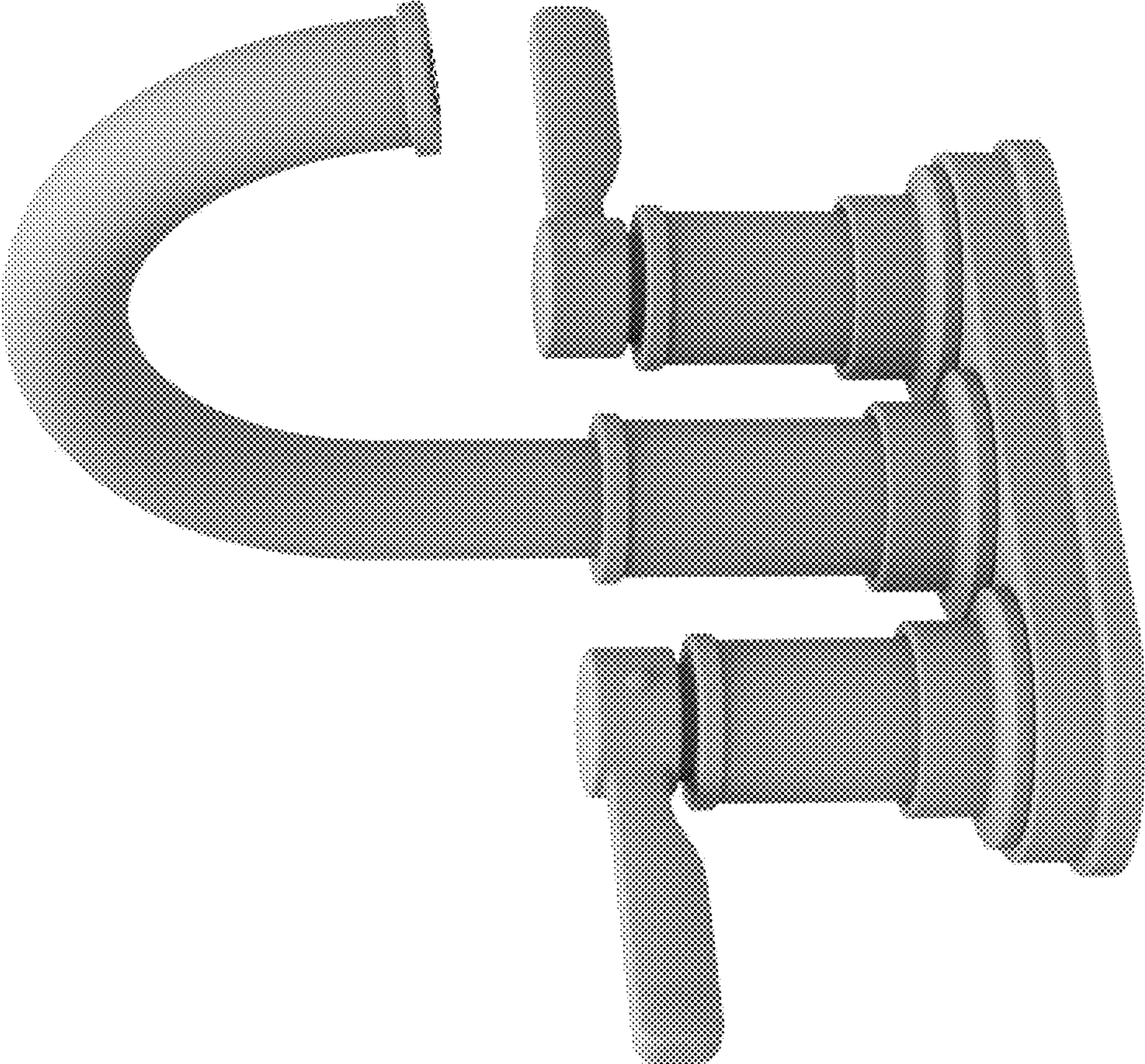


FIG. 1



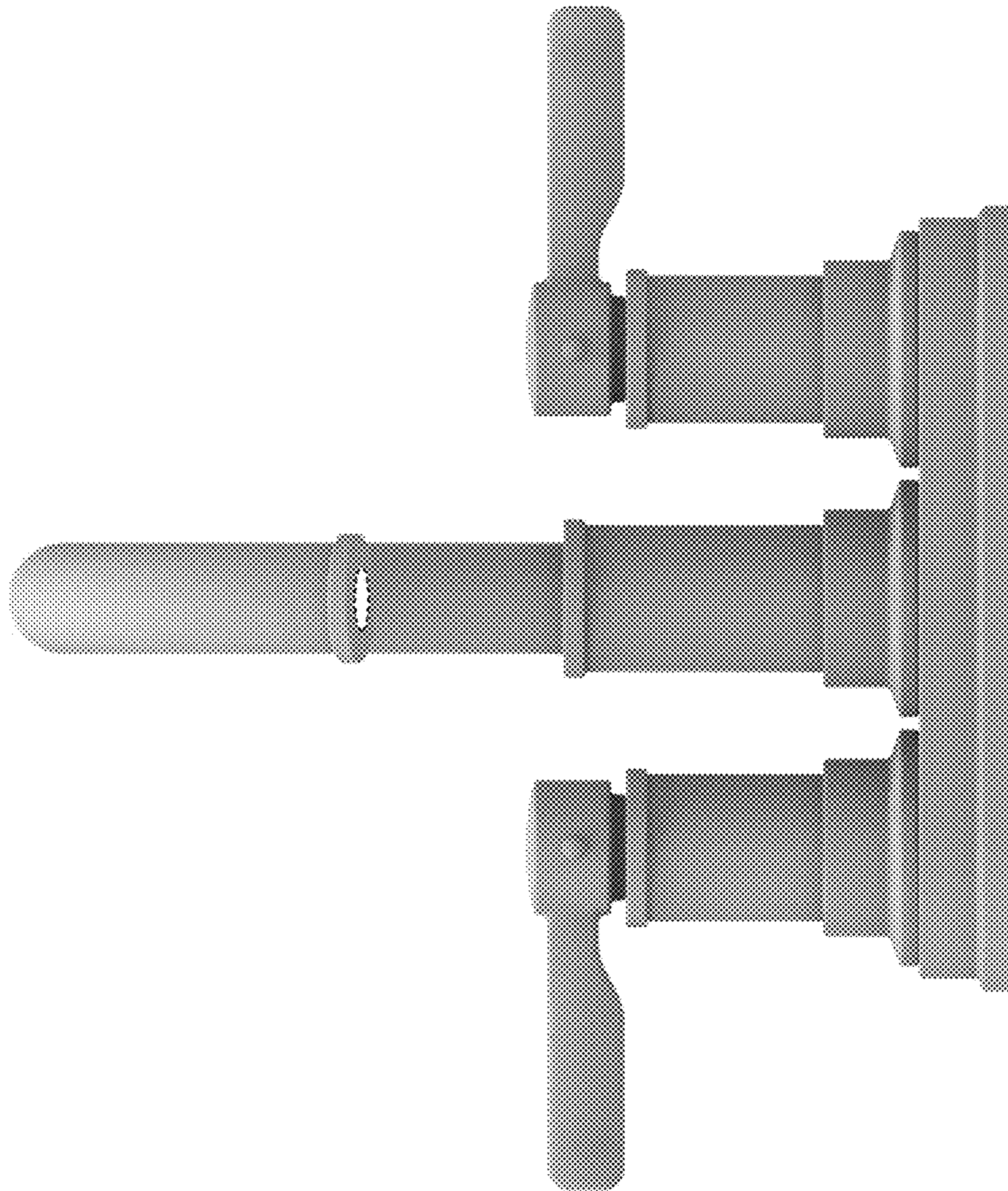


FIG. 2

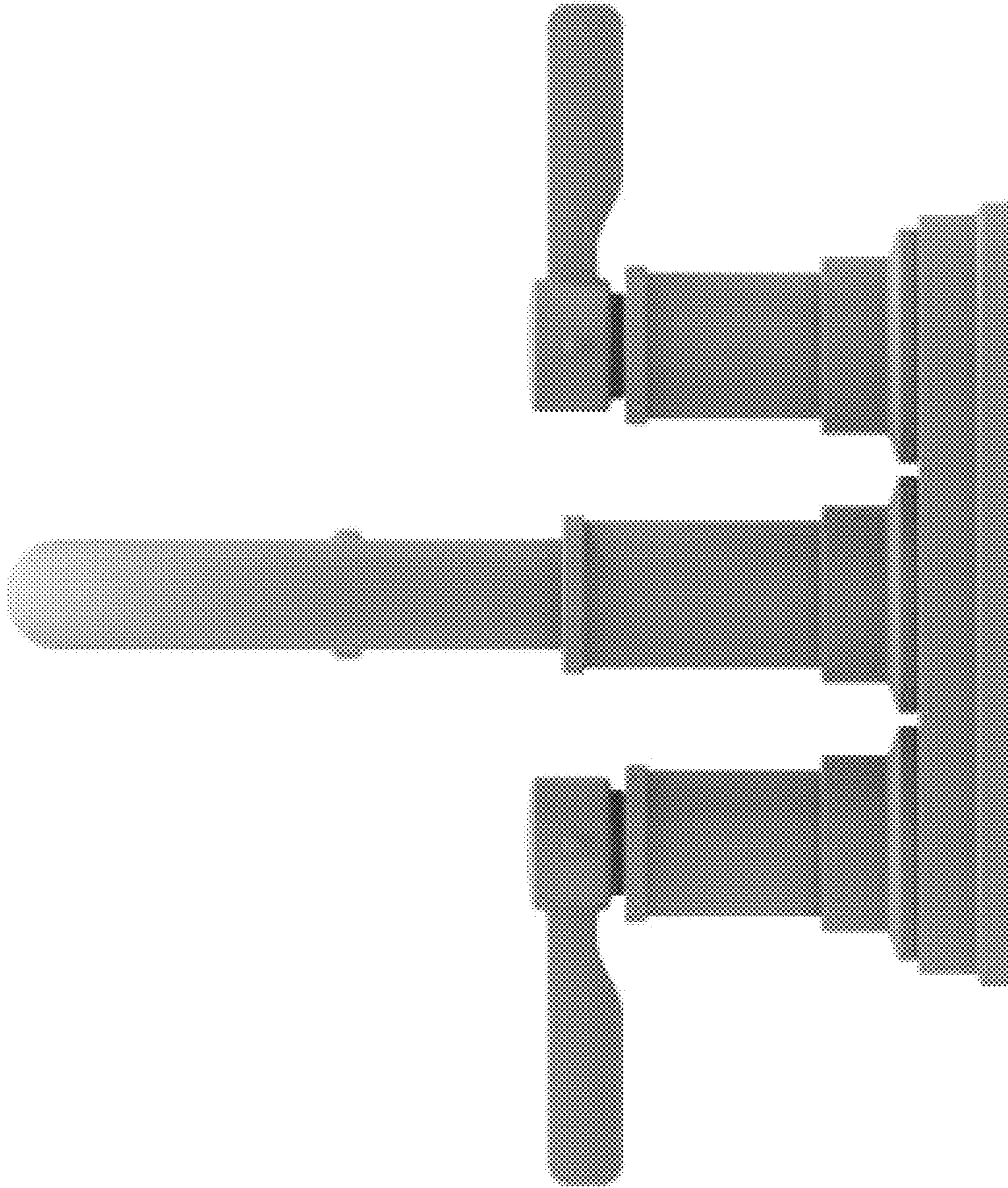


FIG. 3



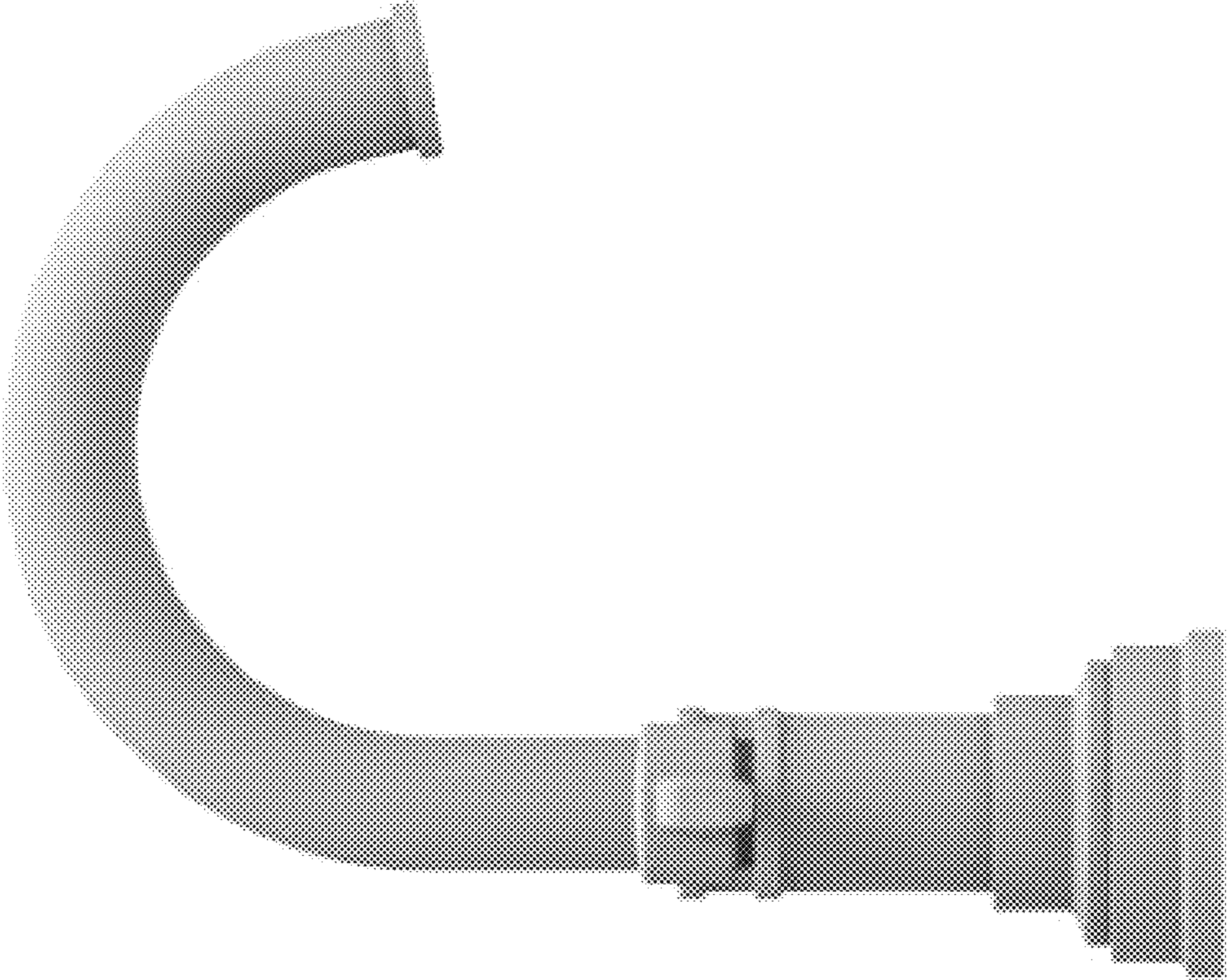


FIG. 4

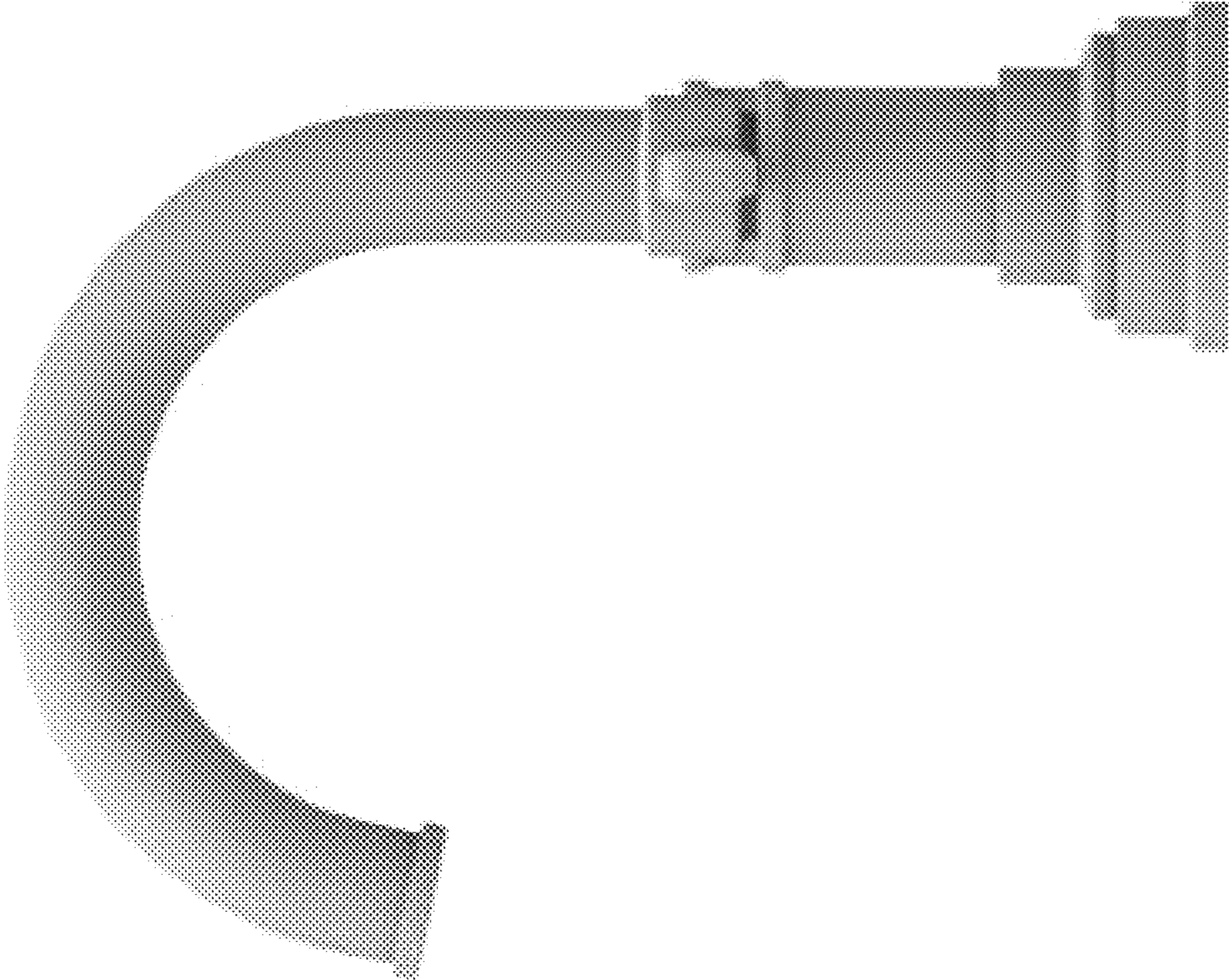


FIG. 5

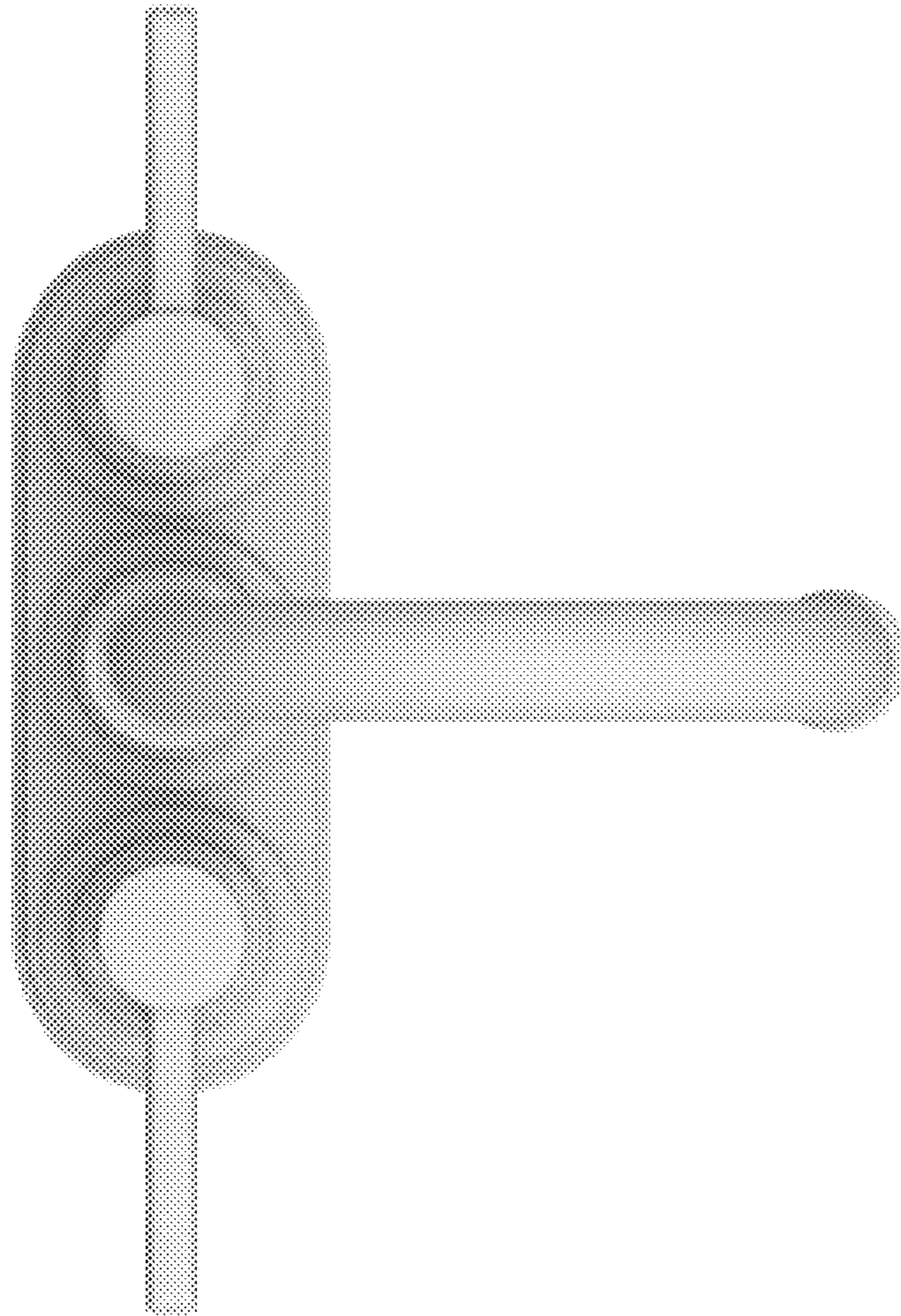


FIG. 6