



US00D797246S

(12) **United States Design Patent**  
**Downey**

(10) **Patent No.:** **US D797,246 S**  
(45) **Date of Patent:** **\*\* Sep. 12, 2017**

- (54) **FAUCET**
- (71) Applicant: **Spectrum Brands, Inc.**, Middleton, WI (US)
- (72) Inventor: **David Downey**, Mission Viejo, CA (US)
- (73) Assignee: **Spectrum Brands, Inc.**, Middleton, WI (US)
- (\*\*) Term: **15 Years**
- (21) Appl. No.: **29/558,316**
- (22) Filed: **Mar. 16, 2016**
- (51) **LOC (10) Cl.** ..... **23-01**
- (52) **U.S. Cl.**  
USPC ..... **D23/242**
- (58) **Field of Classification Search**  
USPC ..... D23/238-243, 249-250, 252, 254-255, D23/257, 245; D8/300, 307-308, 310  
CPC . E03C 1/00; E03C 1/04; E03C 1/0401; E03C 1/0402; E03C 1/0404; E03C 1/02; E03C 1/021; E03C 1/0403; F16K 27/06; F16K 27/067; F16K 27/0657  
See application file for complete search history.

- D608,859 S 1/2010 Schoenherr et al.
- D625,393 S 10/2010 Sieger
- D655,787 S 3/2012 Obara et al.
- D656,587 S 3/2012 Ko
- D667,934 S 9/2012 Liao
- D674,051 S 1/2013 Uhl
- D680,193 S 4/2013 Kwok
- D680,626 S 4/2013 Kwok
- D682,991 S \* 5/2013 Liao ..... D23/242
- D682,992 S \* 5/2013 Obara ..... D23/242
- D683,432 S 5/2013 Berger
- D688,777 S 8/2013 Liao
- D694,369 S 11/2013 Mendoza et al.
- D697,178 S 1/2014 Georgeson et al.
- D697,179 S 1/2014 Georgeson et al.
- D704,305 S 5/2014 Flowers et al.
- D713,511 S 9/2014 Potter et al.

(Continued)

**FOREIGN PATENT DOCUMENTS**

WO D070856-001 9/2008

*Primary Examiner* — Robert Delehanty

(74) *Attorney, Agent, or Firm* — Banner & Witcoff, Ltd.

(57) **CLAIM**

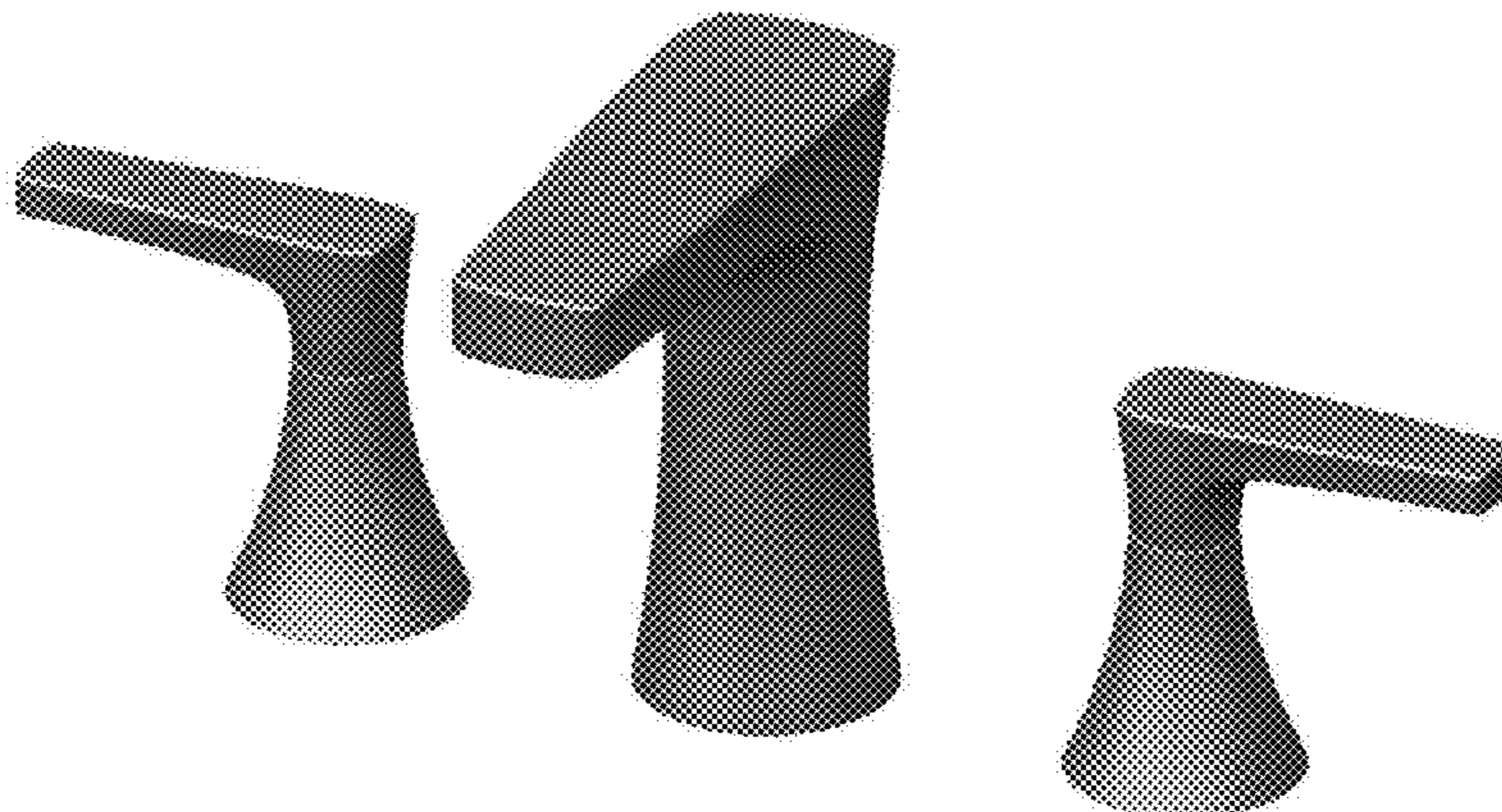
The ornamental design for a faucet, as shown and described.

**DESCRIPTION**

FIG. 1 is a front perspective view of a faucet showing my new design;  
 FIG. 2 is a front view thereof;  
 FIG. 3 is a rear view thereof;  
 FIG. 4 is a right side view thereof;  
 FIG. 5 is a left side view thereof;  
 FIG. 6 is a top view thereof; and,  
 FIG. 7 is a bottom view thereof.  
 The broken line showing of the spout opening in FIGS. 2 and 7 and the three circular base regions in FIG. 7 represents unclaimed areas and forms no part of the claim design.

**1 Claim, 4 Drawing Sheets**

- (56) **References Cited**  
U.S. PATENT DOCUMENTS
- D467,998 S 12/2002 Panis et al.
- D515,669 S 2/2006 Ying-Hui et al.
- D515,671 S 2/2006 Toyohara
- D517,655 S 3/2006 Ogata et al.
- D519,608 S 4/2006 Fritz
- D520,117 S 5/2006 Fritz
- D528,636 S \* 9/2006 Latoracca ..... D23/238
- D532,085 S 11/2006 Svendsen et al.
- D538,399 S 3/2007 Miyamoto
- D572,346 S 7/2008 Painter



(56)

**References Cited**

U.S. PATENT DOCUMENTS

D713,937 S	9/2014	Fritz	
D717,916 S	11/2014	Fritz	
D720,050 S	12/2014	Gessi	
D721,165 S	1/2015	Downey et al.	
D723,663 S	3/2015	Downey et al.	
D739,504 S	9/2015	Standefer et al.	
D751,181 S *	3/2016	Gilbert .....	D23/255
D757,230 S *	5/2016	Schoenherr .....	D23/255
D768,828 S *	10/2016	Georgeson .....	D23/252
D773,616 S *	12/2016	Potter .....	D23/252

\* cited by examiner

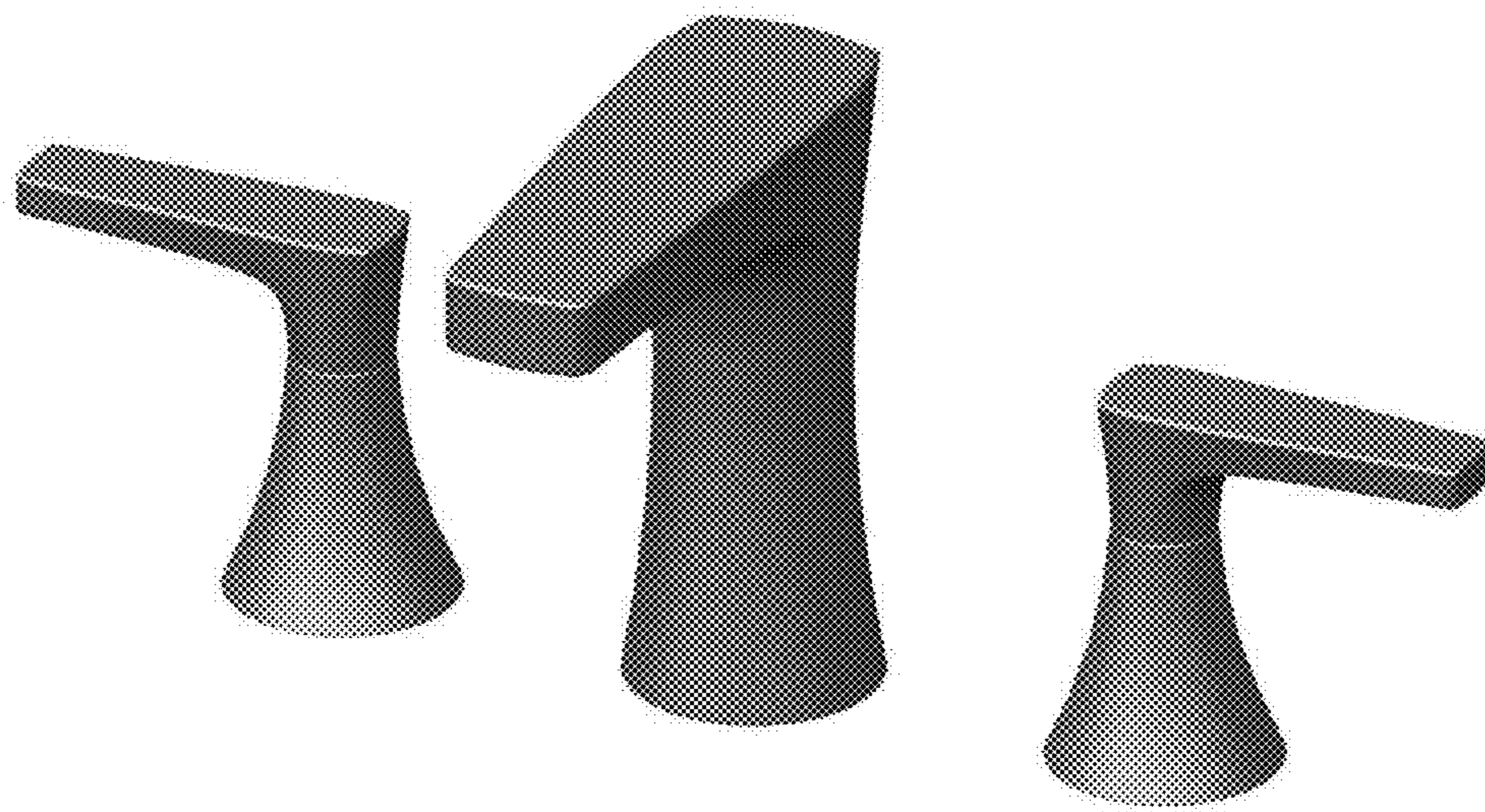


FIG. 1

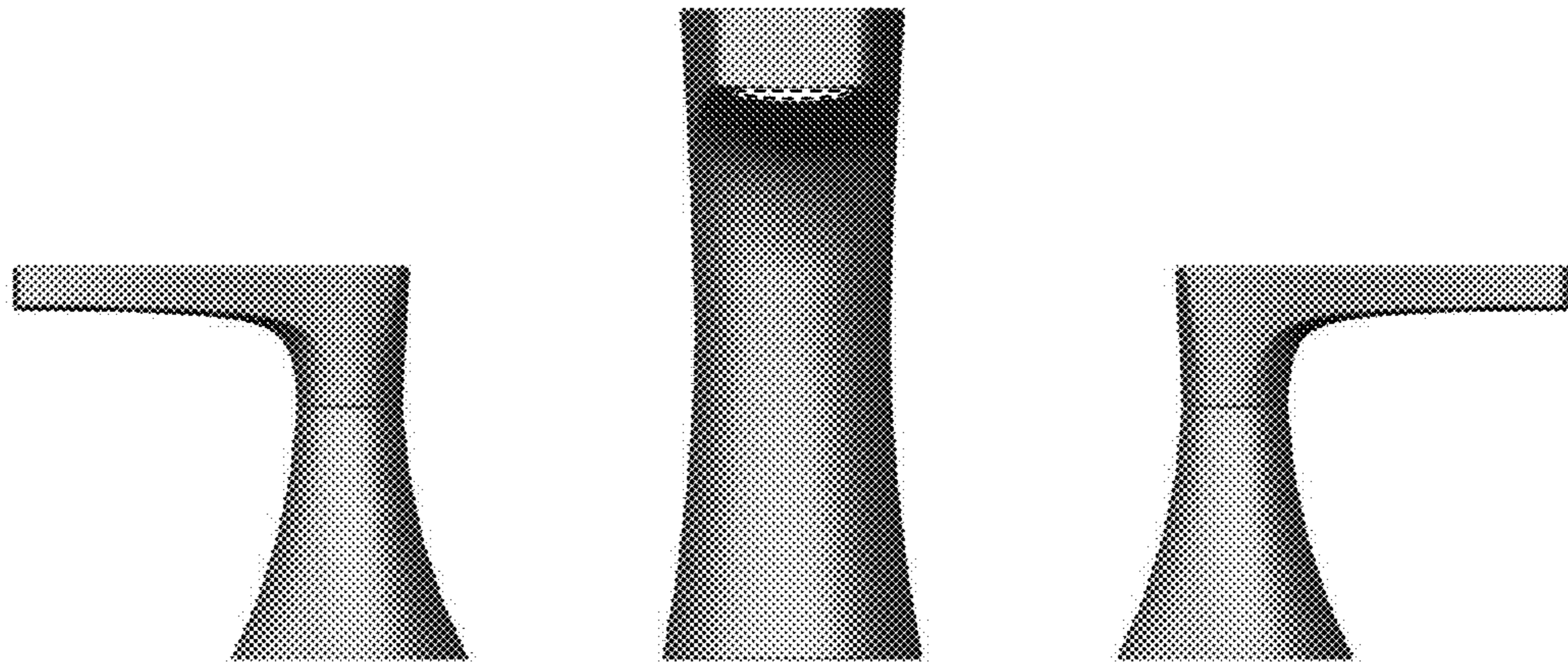


FIG. 2

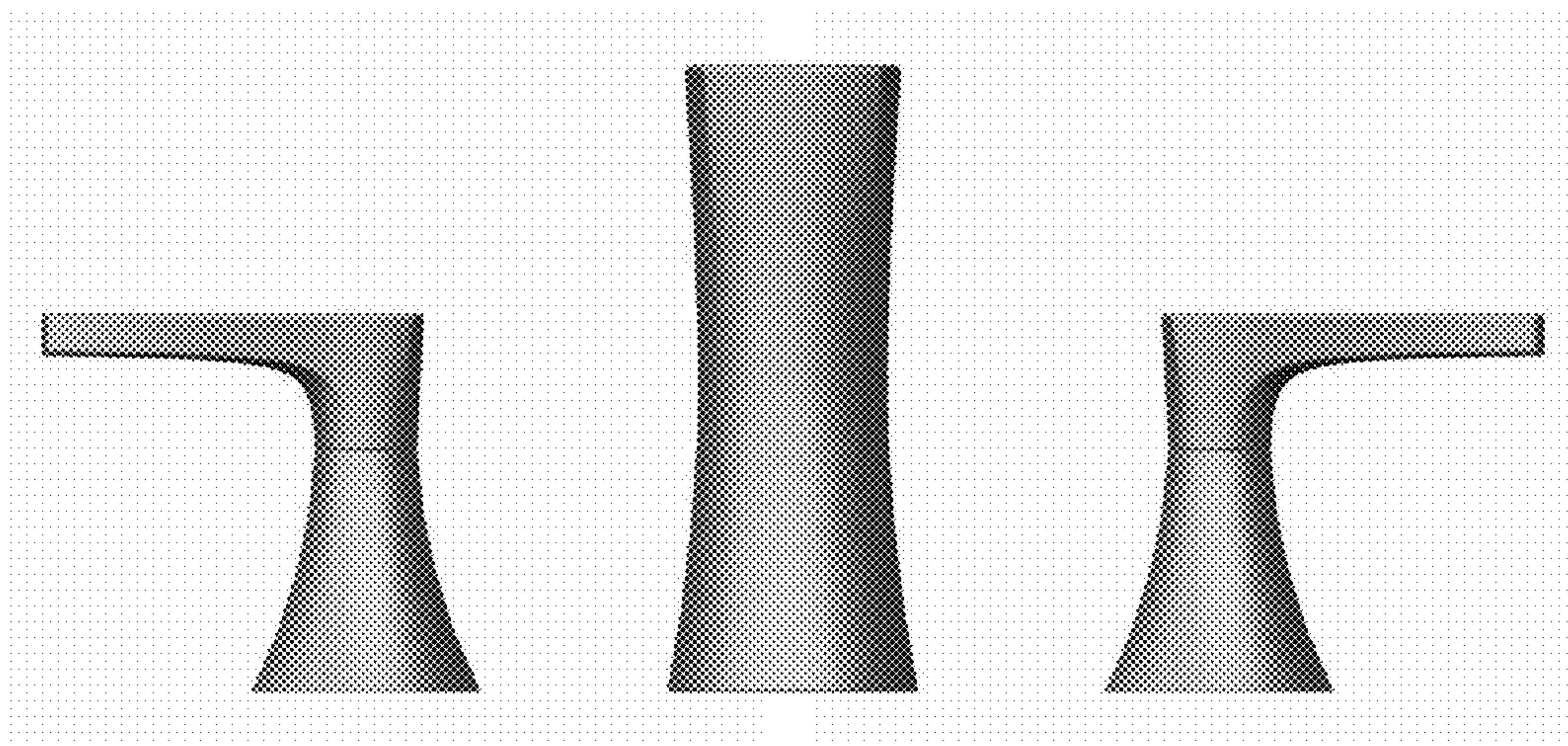


FIG. 3

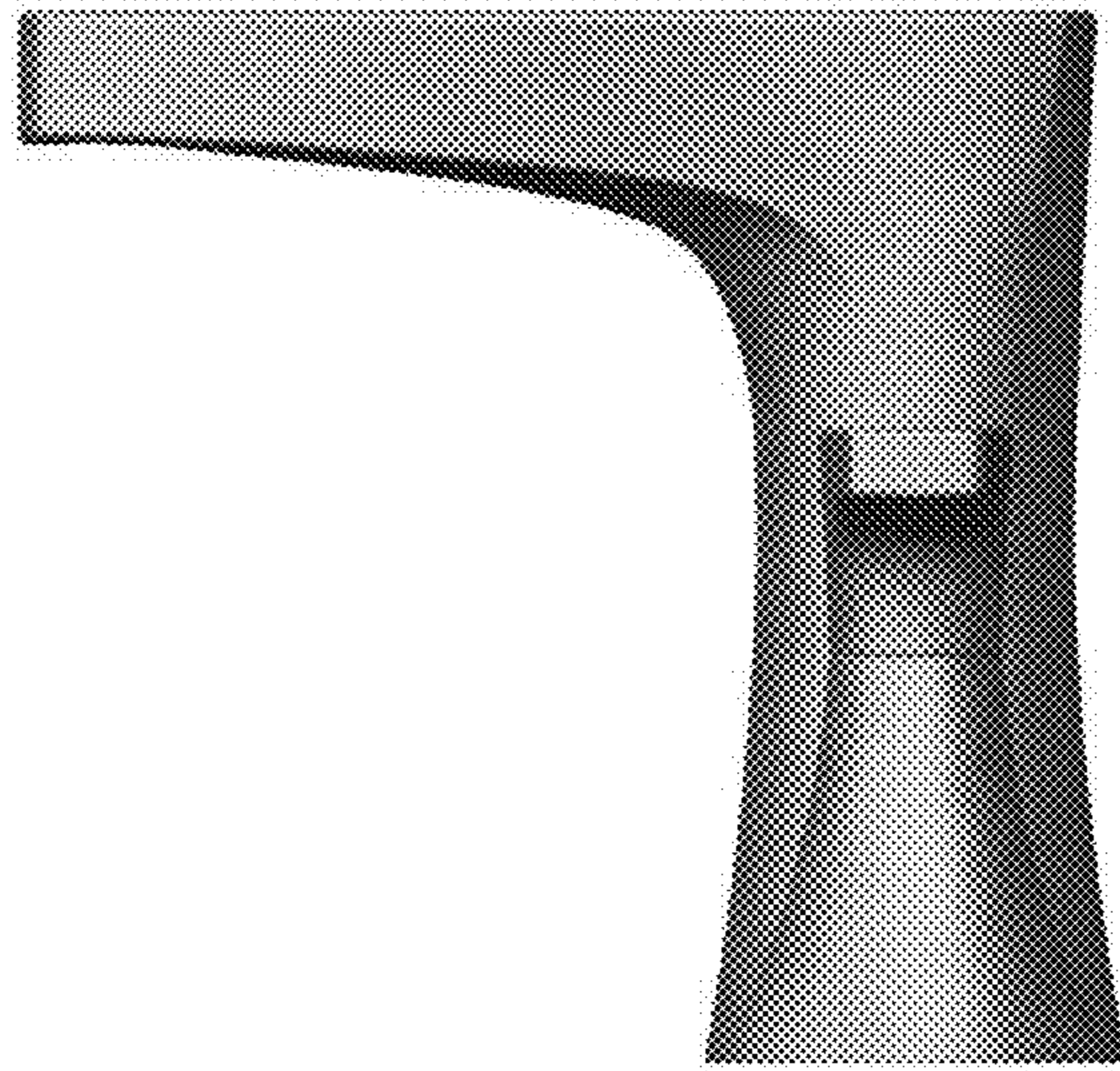


FIG. 4

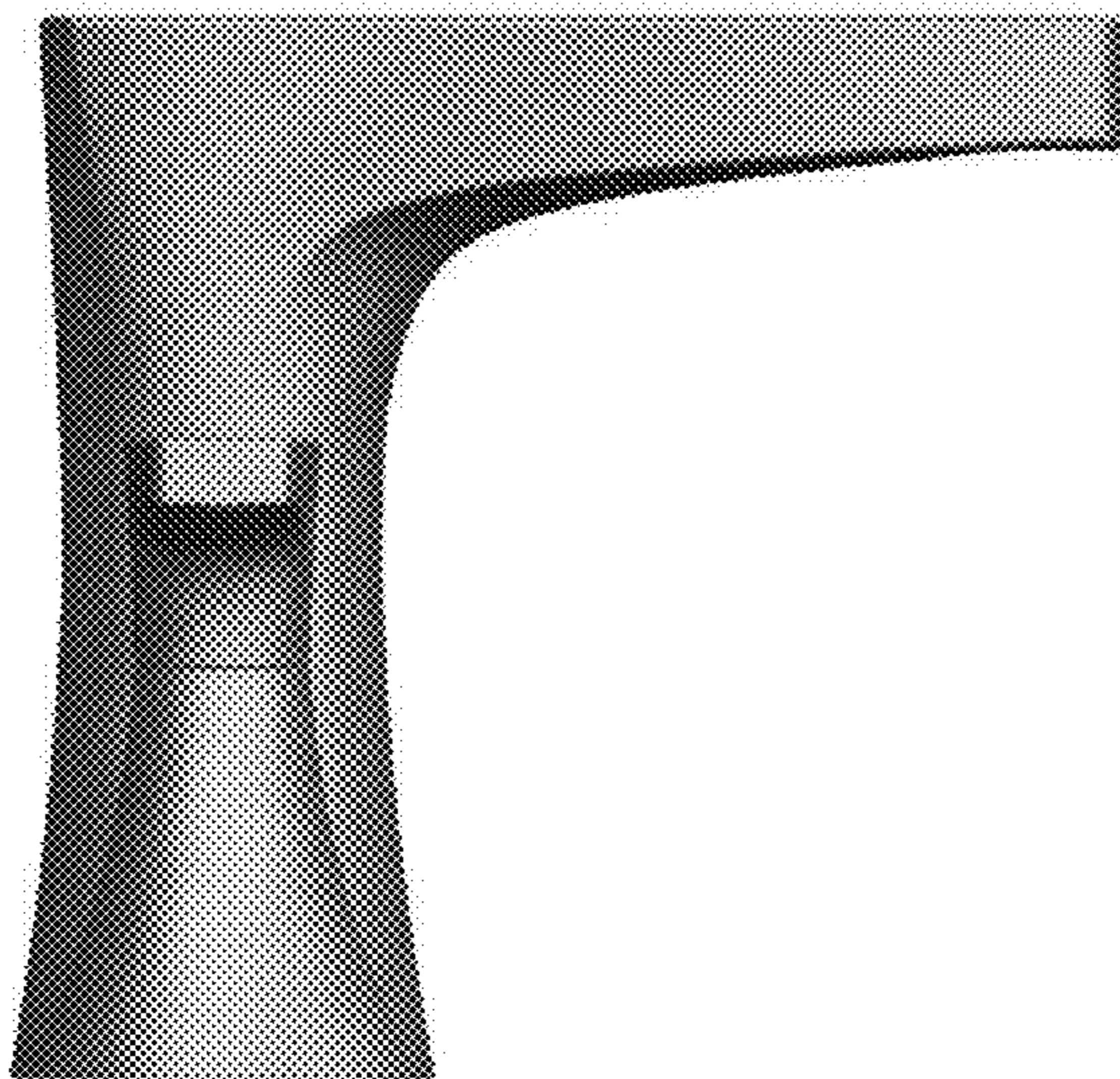


FIG. 5

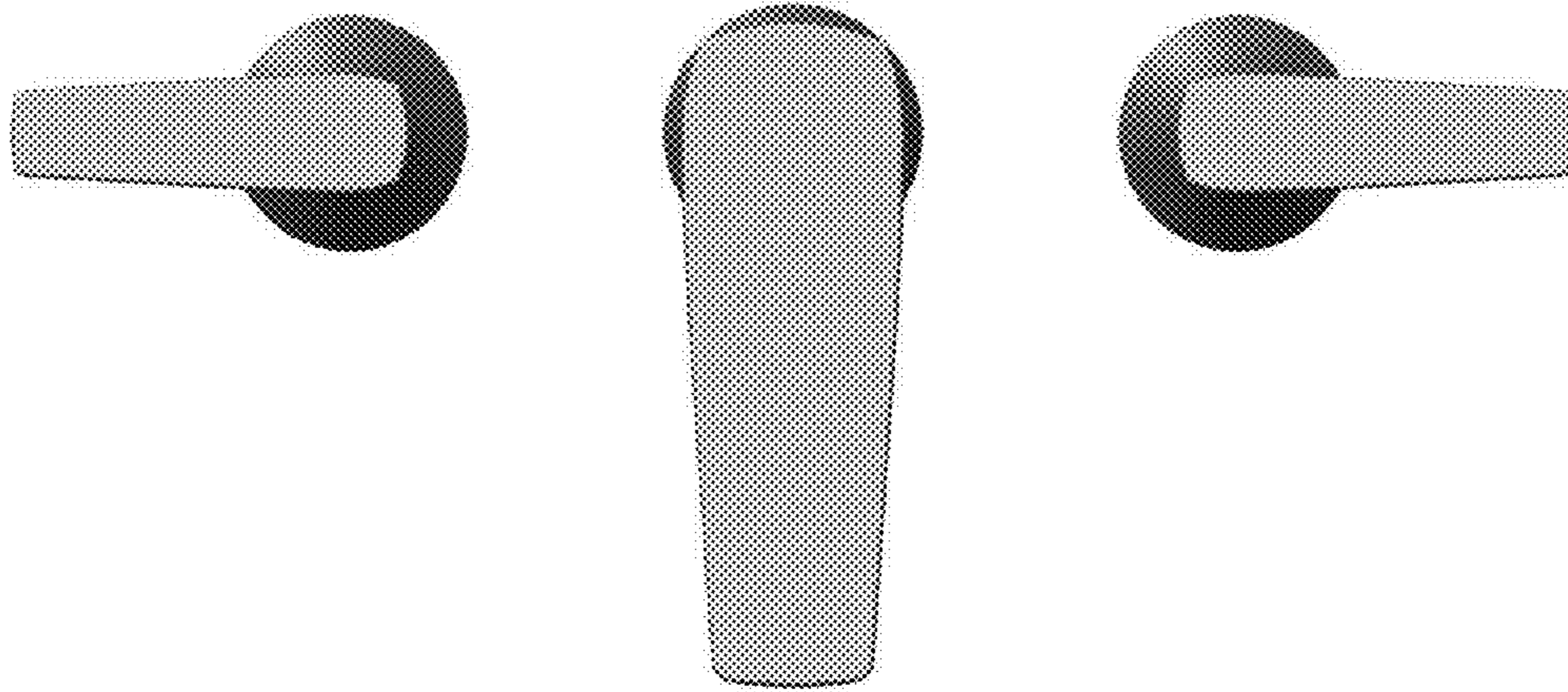


FIG. 6

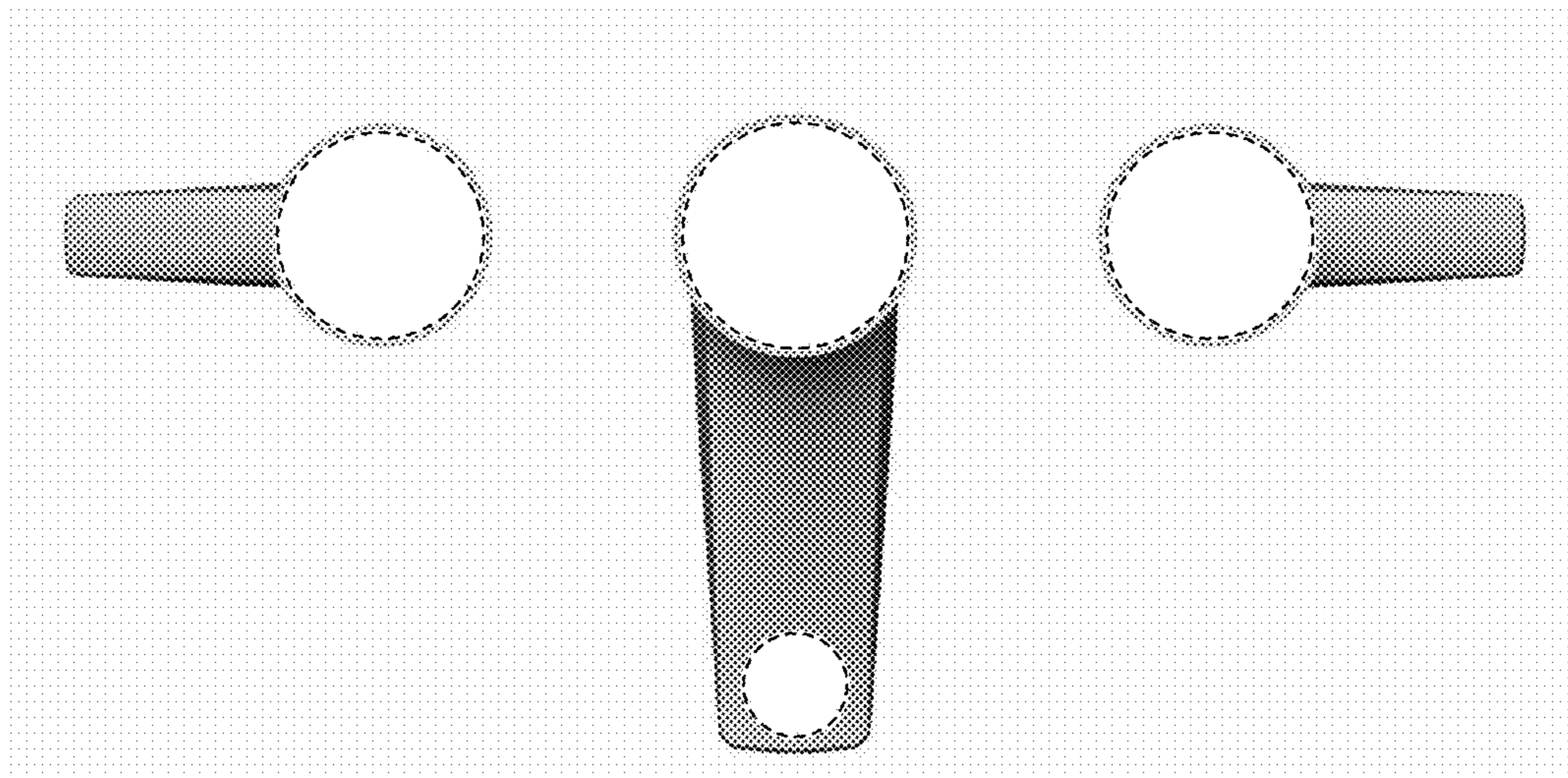


FIG. 7