

US00D797242S

(12) **United States Design Patent** (10) **Patent No.:** **US D797,242 S**  
**Potter** (45) **Date of Patent:** **\*\* Sep. 12, 2017**

(54) **FAUCET**  
(71) Applicant: **Spectrum Brands, Inc.**, Middleton, WI (US)  
(72) Inventor: **Cameron Potter**, Fullerton, CA (US)  
(73) Assignee: **Spectrum Brands, Inc.**, Middleton, WI (US)  
(\*\*) Term: **15 Years**  
(21) Appl. No.: **29/559,869**

D655,791 S \* 3/2012 Kwok ..... D23/257  
D661,374 S \* 6/2012 Slothower ..... D23/252  
D661,782 S \* 6/2012 Slothower ..... D23/252  
D677,760 S 3/2013 Romero  
D693,905 S 11/2013 Ke et al.  
D693,906 S 11/2013 Zhang et al.  
D703,789 S 4/2014 Mazz et al.  
D703,790 S 4/2014 Mazz et al.  
D707,799 S 6/2014 Hanna et al.  
D717,400 S 11/2014 Hanna et al.  
D717,914 S 11/2014 Hanna et al.  
D719,242 S 12/2014 Kim et al.  
D719,642 S 12/2014 Kim et al.  
D721,164 S \* 1/2015 Georgeson ..... D23/252  
D723,661 S 3/2015 Zhang

(Continued)

(22) Filed: **Mar. 31, 2016**  
(51) **LOC (10) Cl.** ..... **23-01**  
(52) **U.S. Cl.**  
USPC ..... **D23/238**  
(58) **Field of Classification Search**  
USPC ..... D23/238–243, 249–250, 252, 254, 255,  
D23/257  
CPC ..... E03C 1/0404; E03C 1/0409; E03C 1/02;  
E03C 1/023; E03C 1/05; G05D 7/0629;  
Y10T 137/9464  
See application file for complete search history.

**FOREIGN PATENT DOCUMENTS**

EM 001949736-0002 11/2011  
EM 001949736-0004 11/2011

(Continued)

*Primary Examiner* — Robert Delehanty  
(74) *Attorney, Agent, or Firm* — Banner & Witcoff, Ltd.

(57) **CLAIM**

The ornamental design for a faucet, as shown and described.

(56) **References Cited**

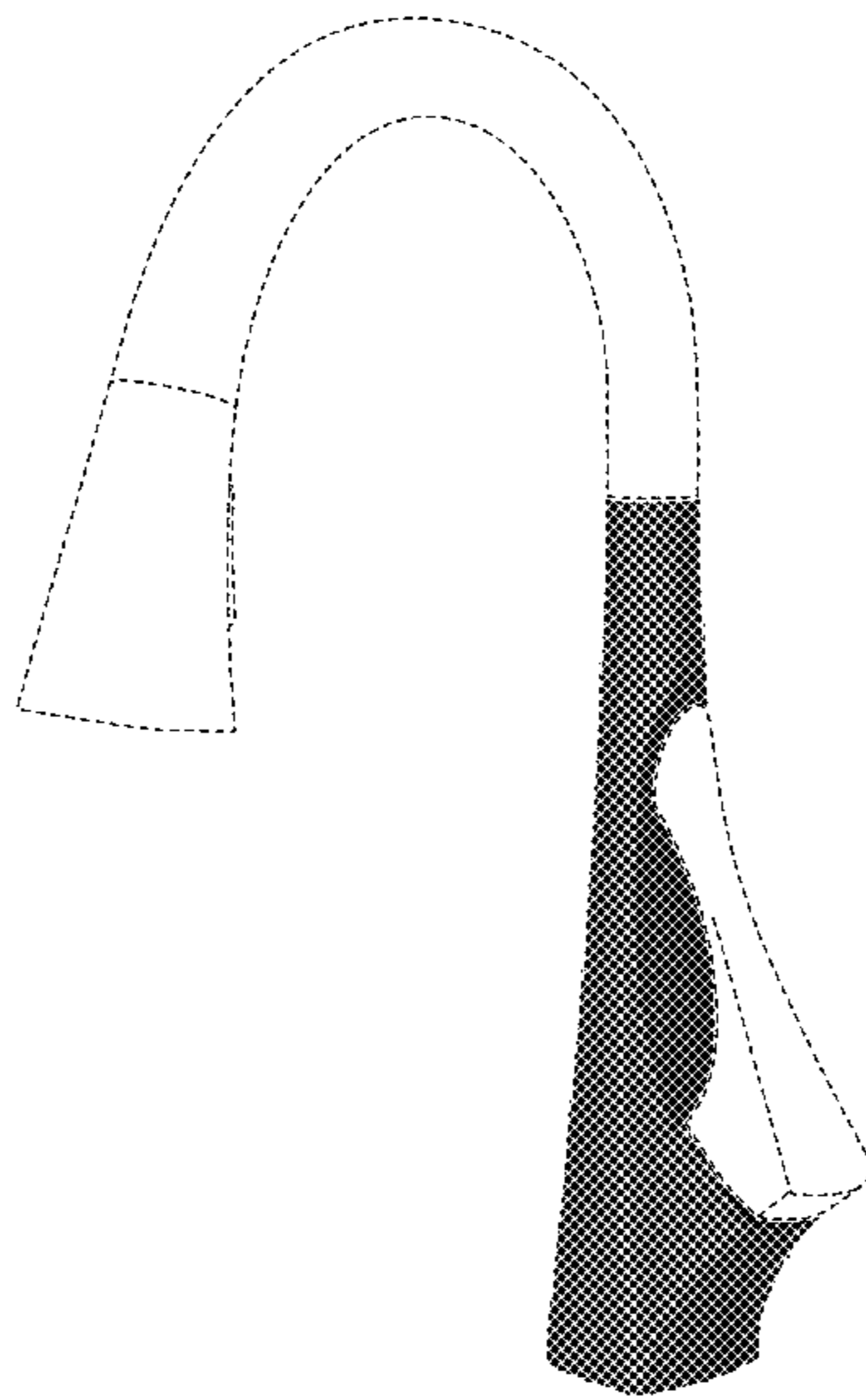
**U.S. PATENT DOCUMENTS**

D443,337 S 6/2001 Mark et al.  
D460,534 S \* 7/2002 Hanna ..... D23/252  
D466,983 S \* 12/2002 Otero ..... D23/242  
D472,961 S 4/2003 Ziemann  
D479,312 S \* 9/2003 Yegyayan ..... D23/238  
D520,602 S \* 5/2006 Koury ..... D23/242  
D532,486 S \* 11/2006 Barry ..... D23/252  
D532,868 S 11/2006 Spangler et al.  
D546,922 S 7/2007 Demmer et al.  
D553,714 S 10/2007 Demmer et al.  
D569,948 S 5/2008 Noth et al.  
D603,021 S 10/2009 Roy  
D642,661 S 8/2011 Corbett

**DESCRIPTION**

FIG. 1 is a front perspective view of a faucet showing my new design;  
FIG. 2 is a front view thereof;  
FIG. 3 is a rear view thereof;  
FIG. 4 is a right side view thereof;  
FIG. 5 is a left side view thereof;  
FIG. 6 is a top view thereof; and,  
FIG. 7 is a bottom view thereof.  
The broken line showing of the remainder represents unclaimed areas and forms no part of the claimed design.

**1 Claim, 5 Drawing Sheets**



(56)

**References Cited**

U.S. PATENT DOCUMENTS

D723,665 S	3/2015	Kulig
D729,348 S	5/2015	Kulig
D736,898 S	8/2015	Garland
D737,936 S	9/2015	Pony
D746,413 S	12/2015	Hanna
D747,442 S	1/2016	Mazz et al.

FOREIGN PATENT DOCUMENTS

WO	D036035-002	9/1995
WO	D067782-009	10/2006
WO	D067782-010	10/2006
WO	D081033-001	6/2013
WO	D086397-002	5/2015
WO	D086448-003	5/2015
WO	D086448-005	5/2015
WO	D086448-006	5/2015
WO	D087247-002	8/2015

\* cited by examiner

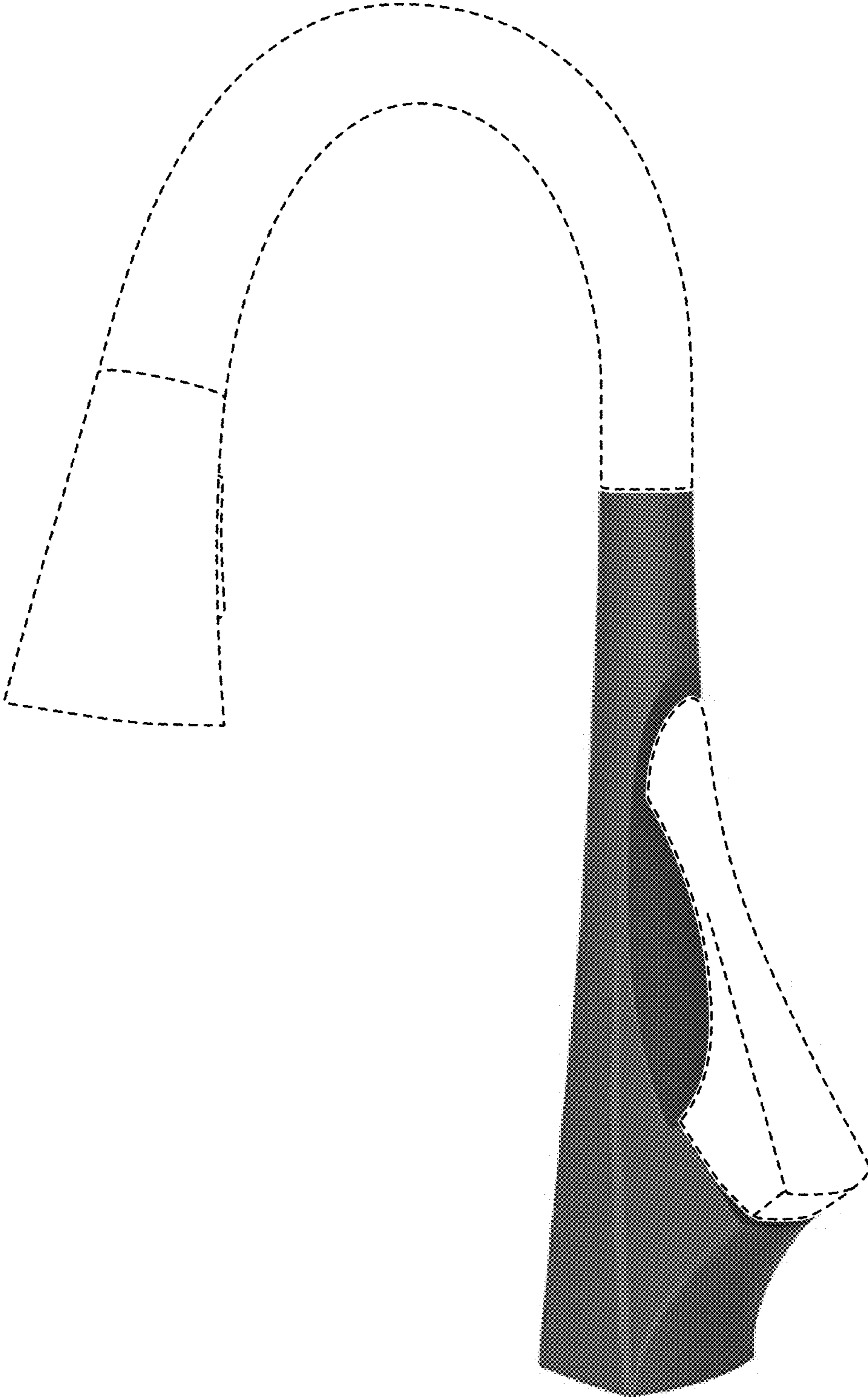


FIG. 1

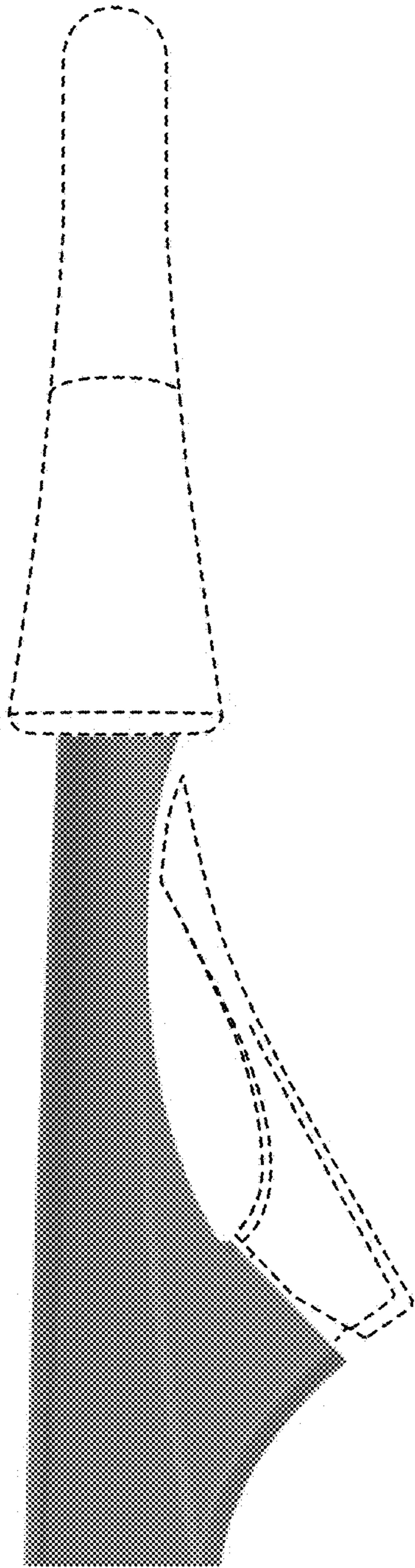


FIG. 2

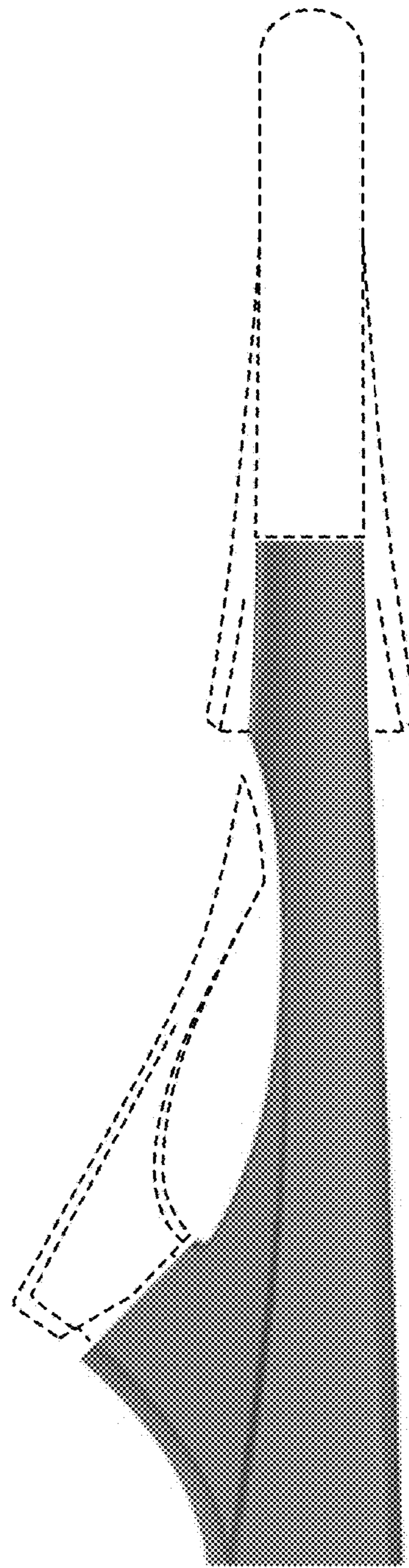


FIG. 3

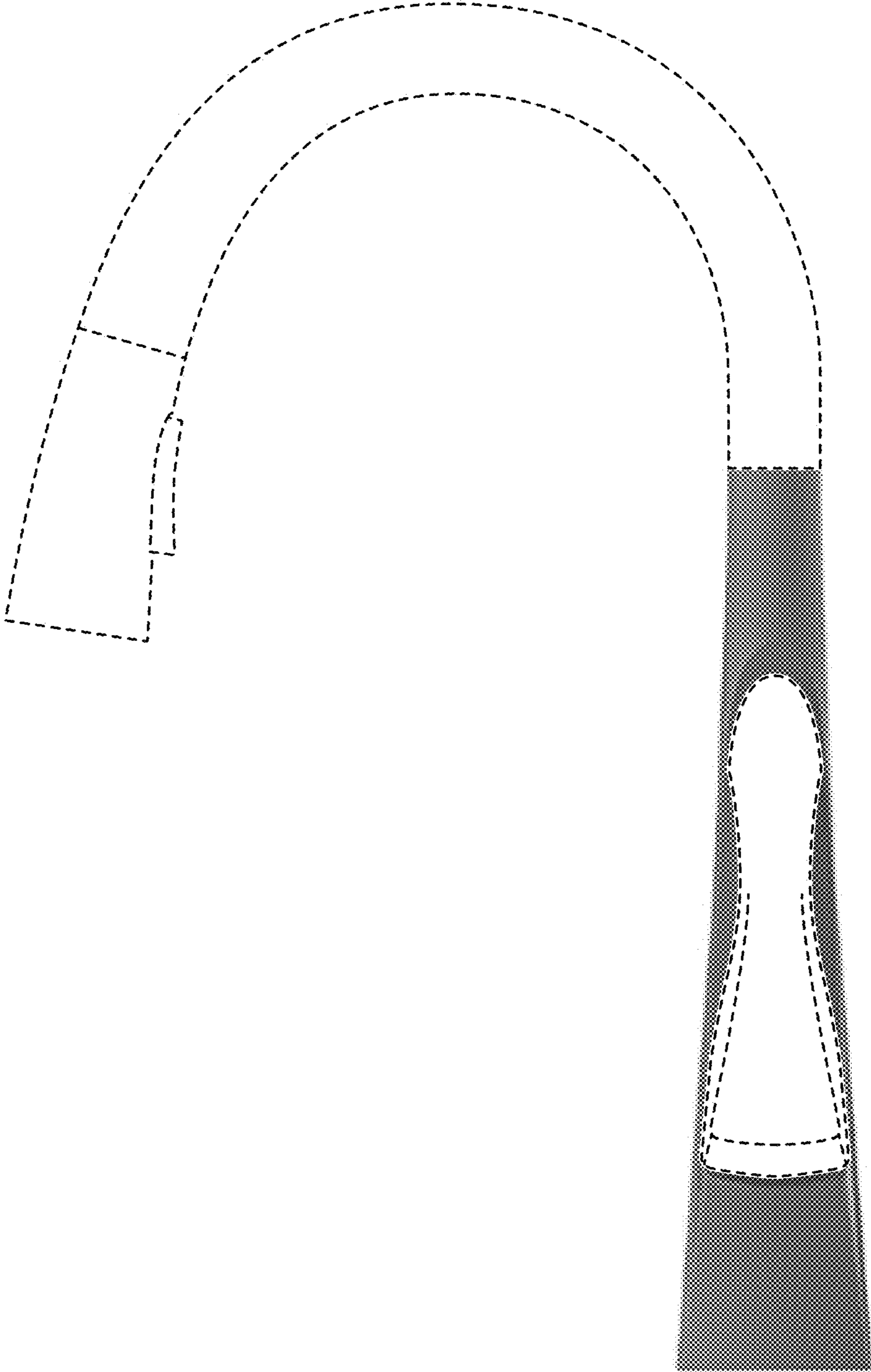


FIG. 4

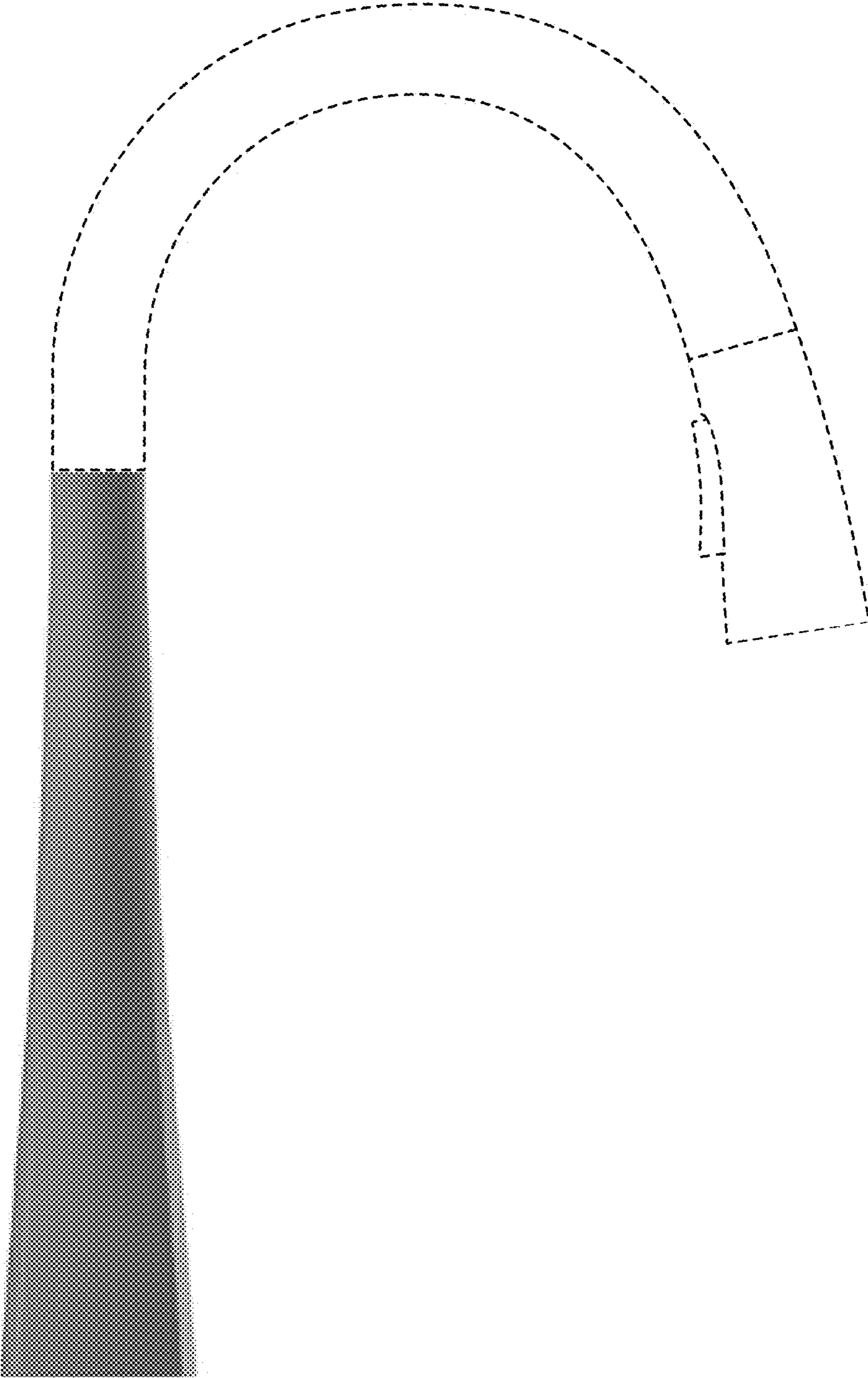


FIG. 5

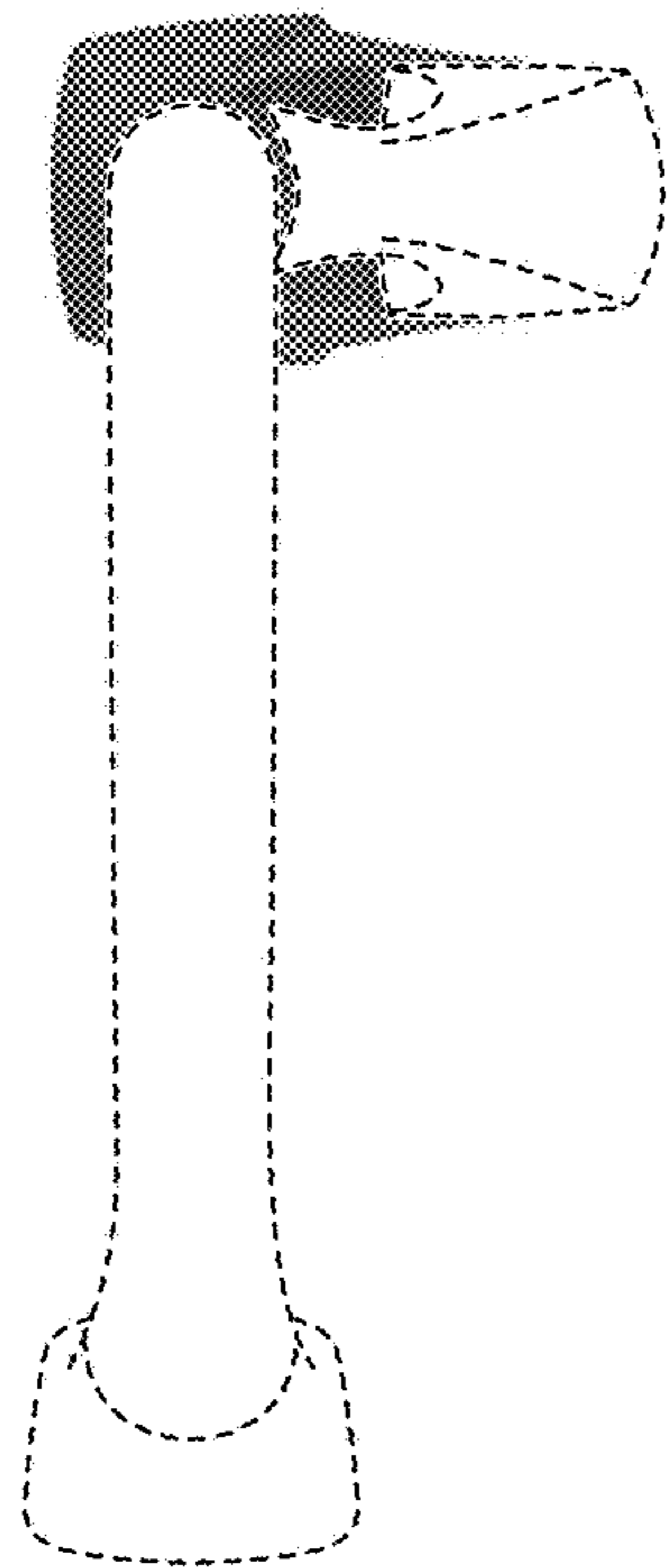


FIG. 6

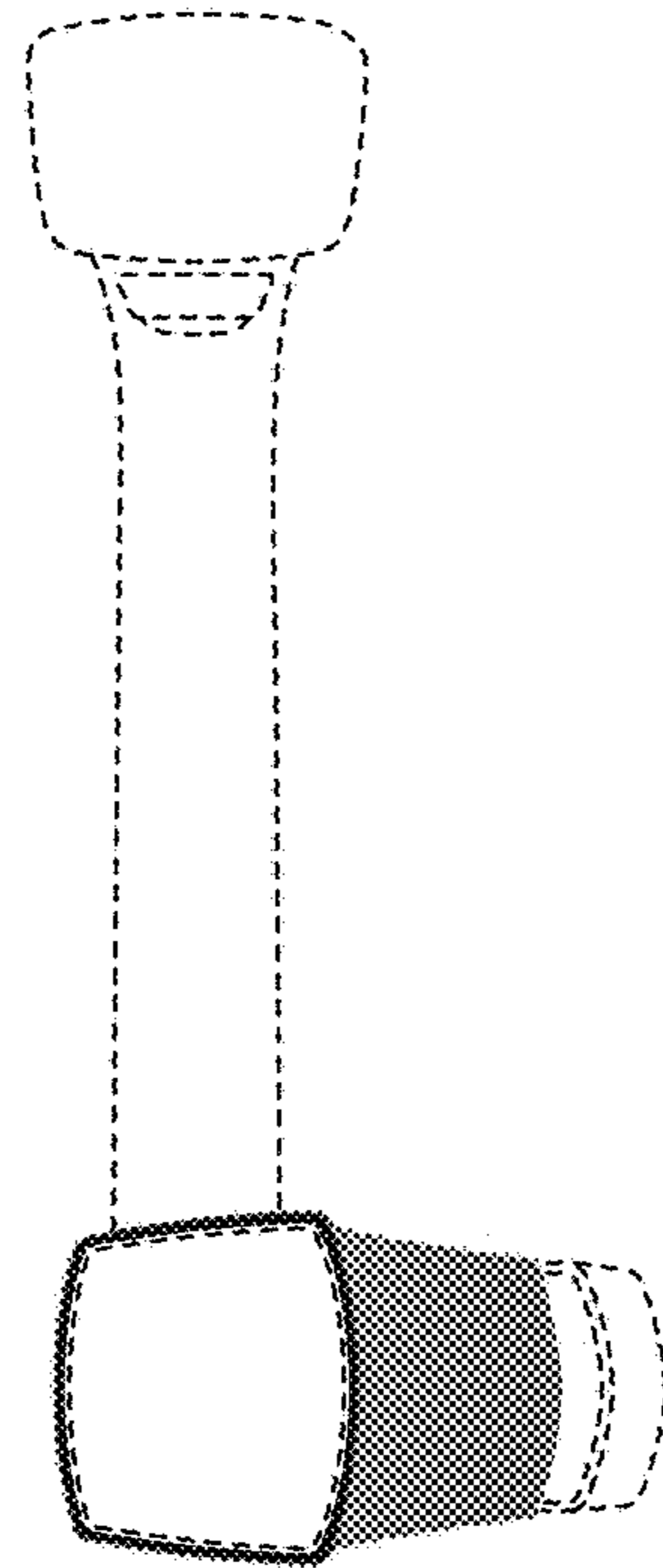


FIG. 7