



US00D797239S

(12) **United States Design Patent** (10) **Patent No.:** **US D797,239 S**
Downey et al. (45) **Date of Patent:** **** Sep. 12, 2017**

(54) **FAUCET**

(71) Applicant: **Spectrum Brands, Inc.**, Middleton, WI (US)

(72) Inventors: **David R. Downey**, Mission Viejo, CA (US); **Cameron Potter**, Fullerton, CA (US); **Aaron Hanna**, Corona, CA (US)

(73) Assignee: **Spectrum Brands, Inc.**, Middleton, WI (US)

(**) Term: **15 Years**

(21) Appl. No.: **29/558,335**

(22) Filed: **Mar. 16, 2016**

(51) **LOC (10) Cl.** **23-01**

(52) **U.S. Cl.**
USPC **D23/238**

(58) **Field of Classification Search**
USPC D23/238-243, 249-250, 252, 254-255, D23/257; D8/307-308

CPC E03C 1/0404; E03C 1/02; E03C 1/023; E03C 1/0411; E03C 1/05; Y10T 137/9464; G05D 7/0629

See application file for complete search history.

(56) **References Cited**

U.S. PATENT DOCUMENTS

D428,965 S	8/2000	Slothower	
D460,150 S	7/2002	Rexach	
D473,630 S	4/2003	Wettstein et al.	
D517,652 S	3/2006	Egli et al.	
D526,389 S	8/2006	Lammel et al.	
D531,483 S *	11/2006	Kosasih	D8/308
D544,945 S	6/2007	Wood et al.	
D564,634 S	3/2008	Kirar	
D594,934 S	6/2009	Vu et al.	
D610,653 S *	2/2010	Schoenherr	D23/238
D612,015 S	3/2010	Lammel et al.	

D650,048 S *	12/2011	Jones	D23/252
D683,825 S	6/2013	Sofield	
D686,300 S	7/2013	Fritz	
D691,708 S	10/2013	Georgeson et al.	
D693,906 S	11/2013	Zhang et al.	
D695,381 S	12/2013	Flowers et al.	
D697,588 S	1/2014	Schoenherr et al.	
D698,424 S	1/2014	Georgeson et al.	
D698,903 S	2/2014	Gilbert	
D703,790 S	4/2014	Mazz et al.	
D713,939 S	9/2014	Mazz et al.	
D715,406 S	10/2014	Bomatter et al.	
D717,400 S	11/2014	Hanna et al.	
D719,242 S	12/2014	Kim et al.	

(Continued)

FOREIGN PATENT DOCUMENTS

EM	001334932-0003	7/2012
WO	D086448-006	5/2015
WO	D086531-001	5/2015

Primary Examiner — Robert A Delehanty

(74) *Attorney, Agent, or Firm* — Banner & Witcoff, Ltd.

(57) **CLAIM**

The ornamental design for a faucet, as shown and described.

DESCRIPTION

FIG. 1 is a front perspective view of a faucet showing our new design;

FIG. 2 is a front view thereof;

FIG. 3 is a rear view thereof;

FIG. 4 is a right side view thereof;

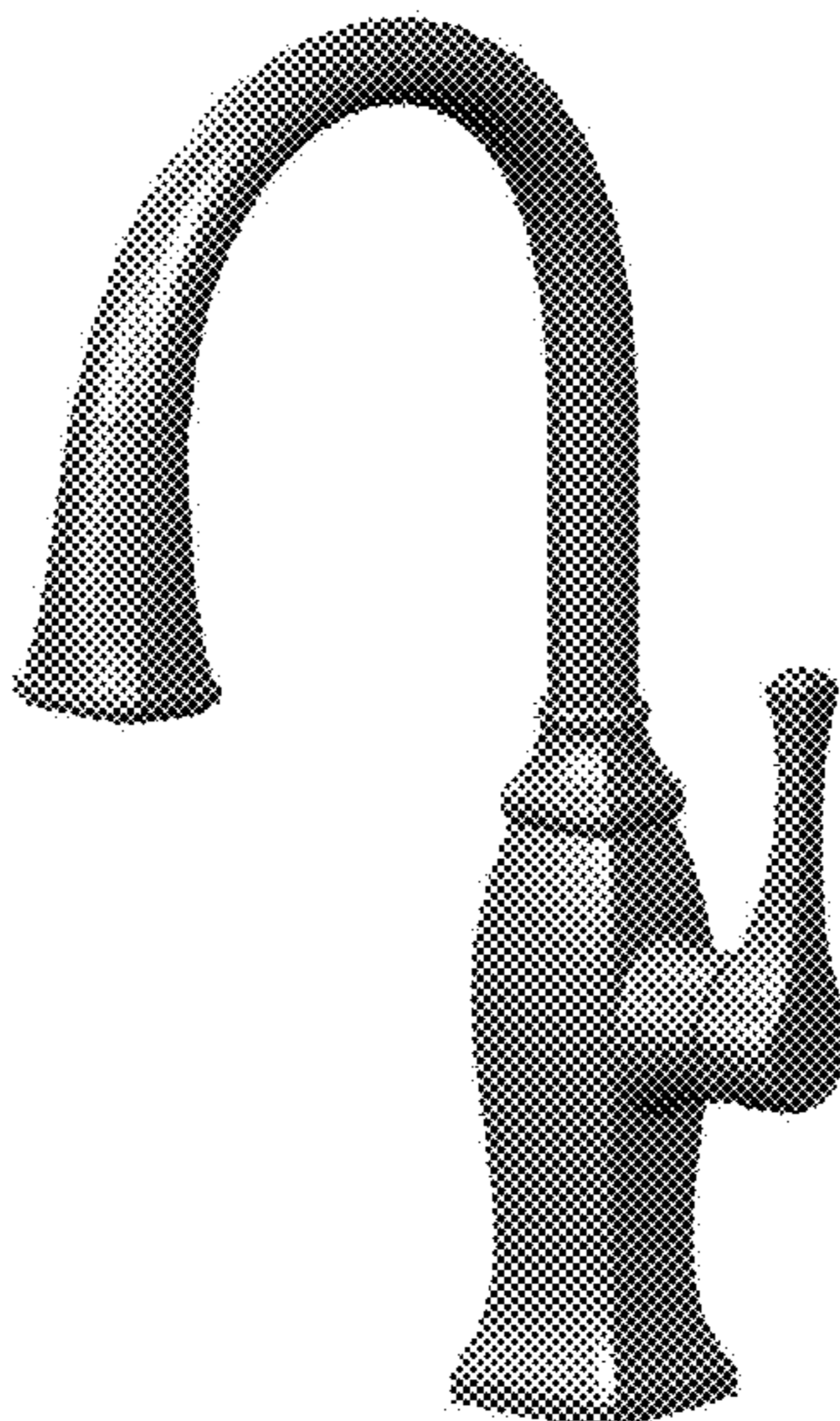
FIG. 5 is a left side view thereof;

FIG. 6 is a top plan view thereof; and,

FIG. 7 is a bottom plan view thereof.

The broken line showing of the interior portion of the sprayer head in FIGS. 2 and 7 and the base in FIG. 7 is for environmental purposes only and forms no part of the claimed design.

1 Claim, 5 Drawing Sheets



(56)

References Cited

U.S. PATENT DOCUMENTS

D723,661 S	3/2015	Zhang	
D723,665 S	3/2015	Kulig	
D736,898 S	8/2015	Garland	
D754,820 S *	4/2016	Bahler	D23/238
D754,823 S *	4/2016	Garland	D23/252

* cited by examiner

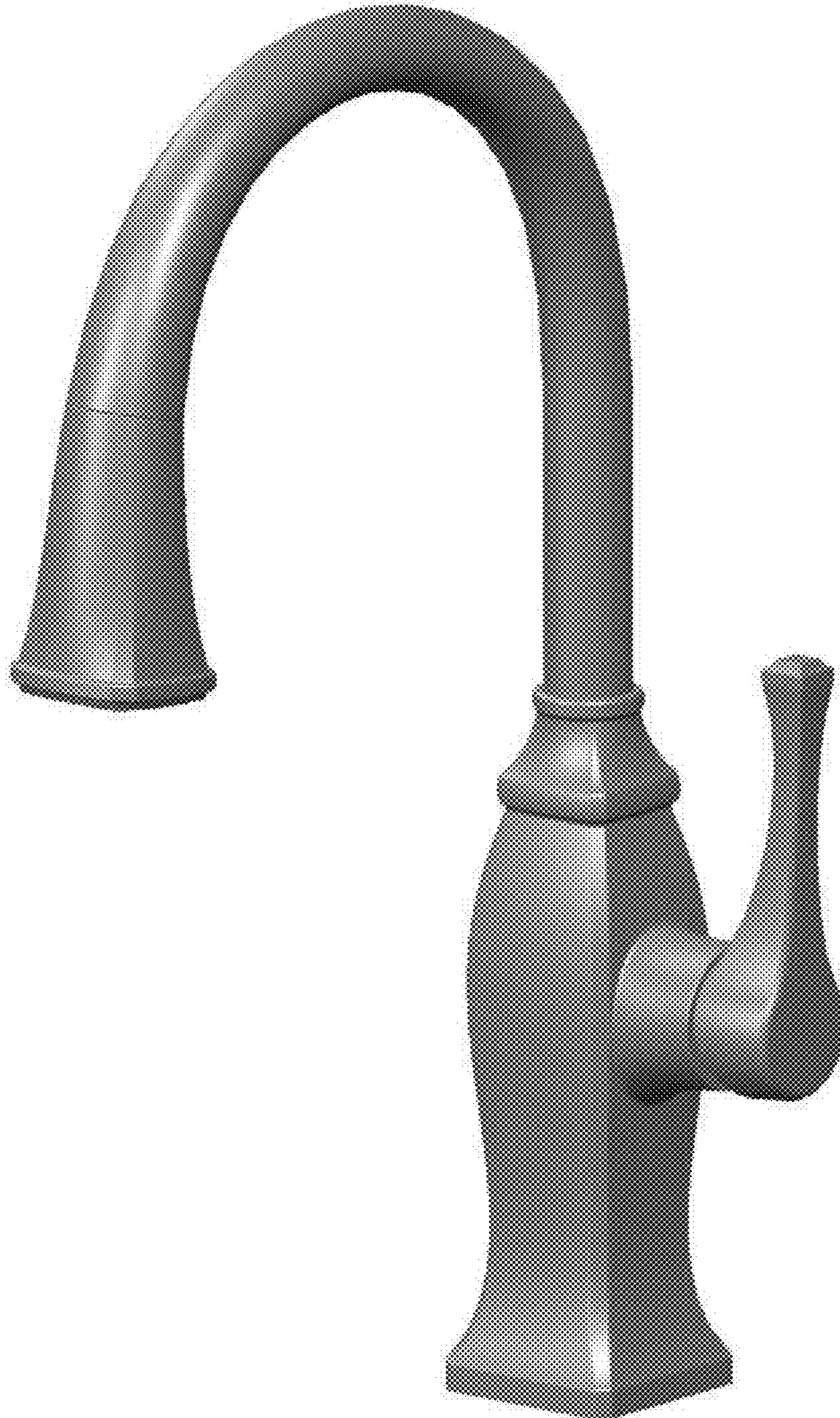


FIG. 1

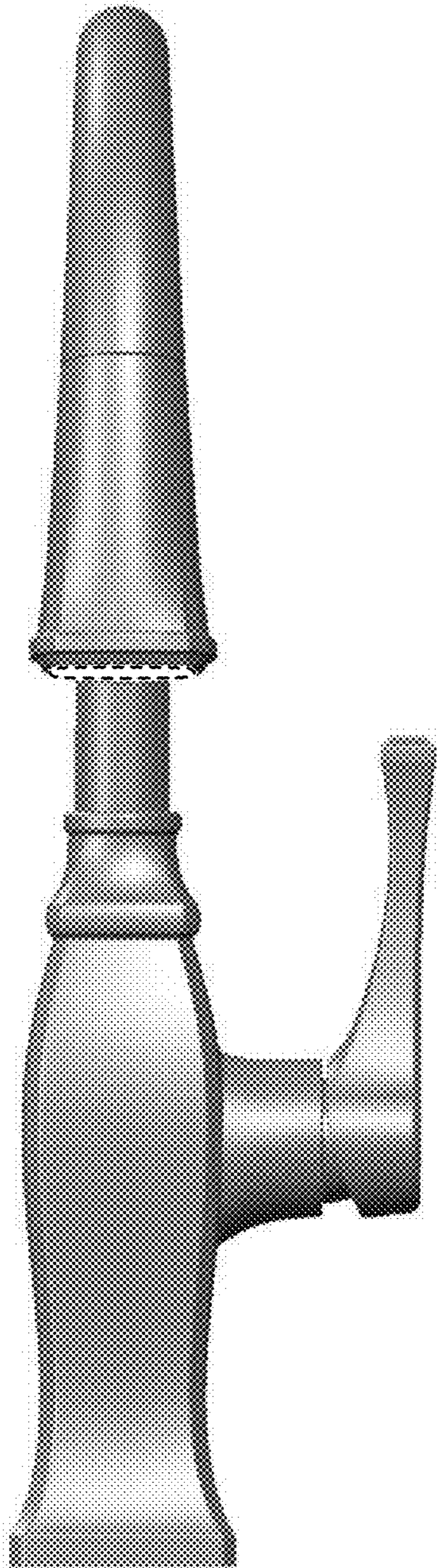


FIG. 2

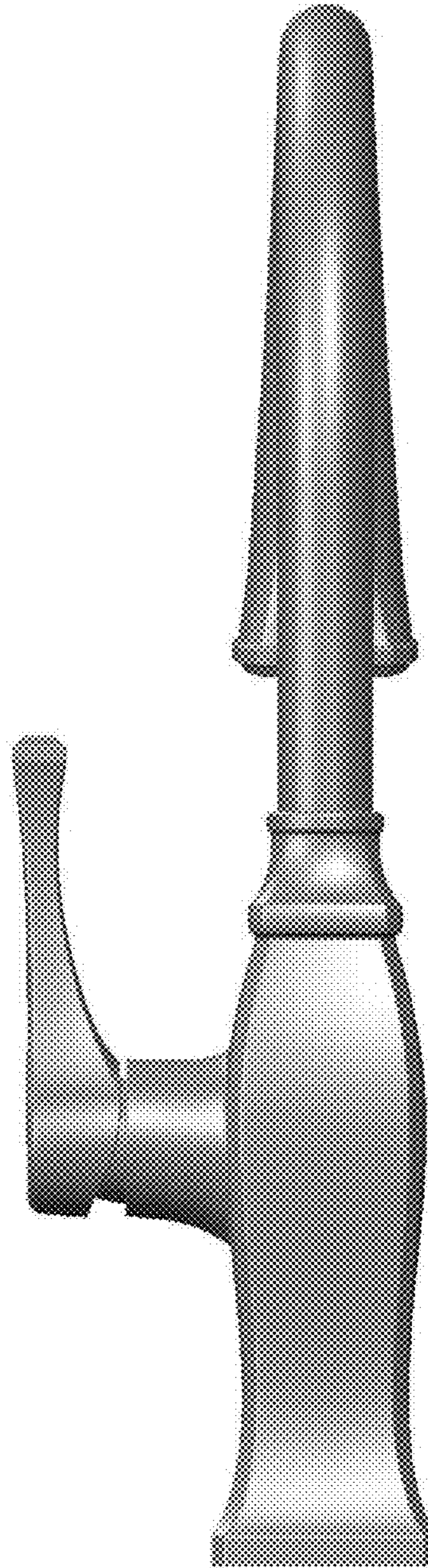


FIG. 3

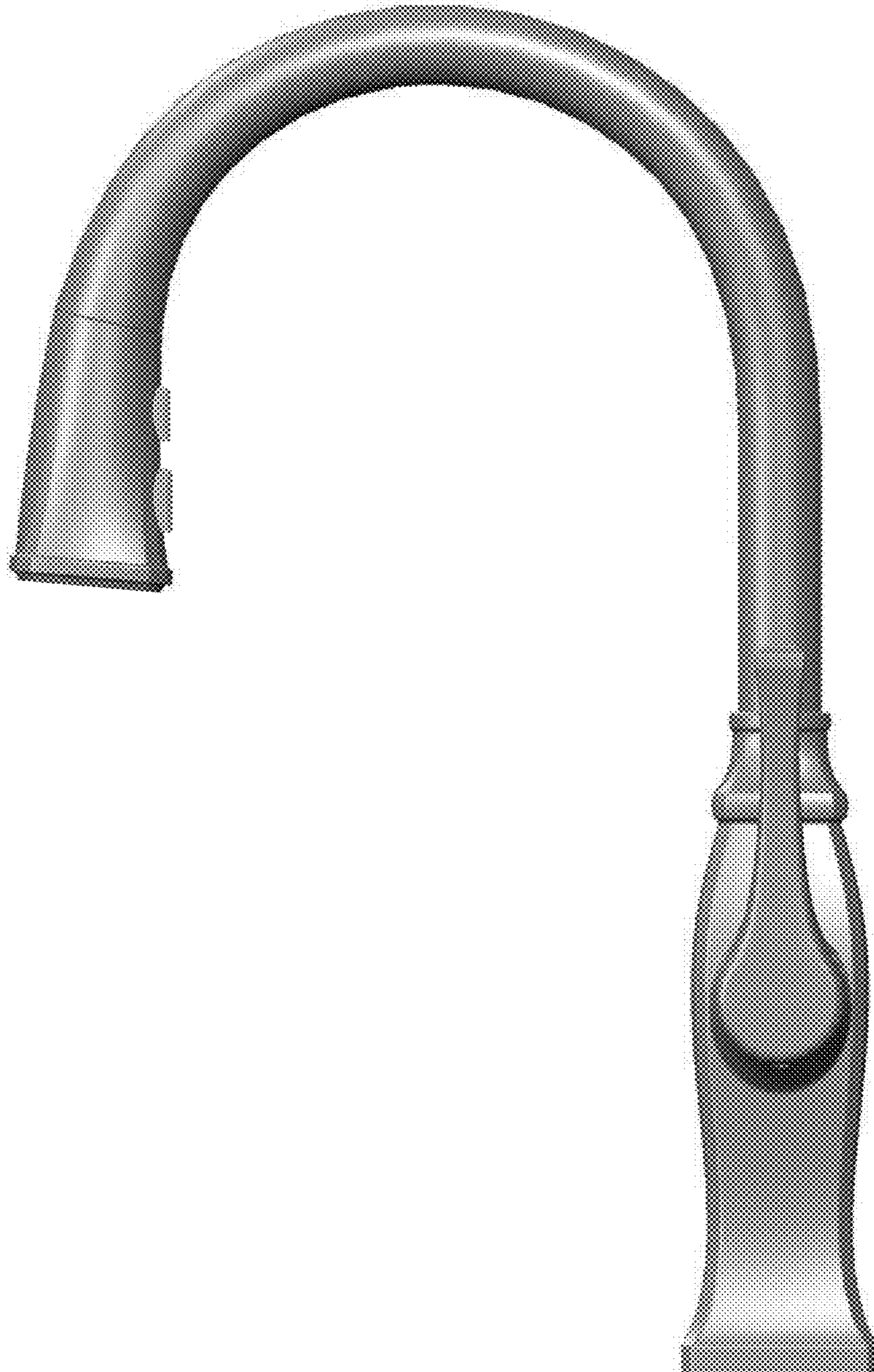


FIG. 4

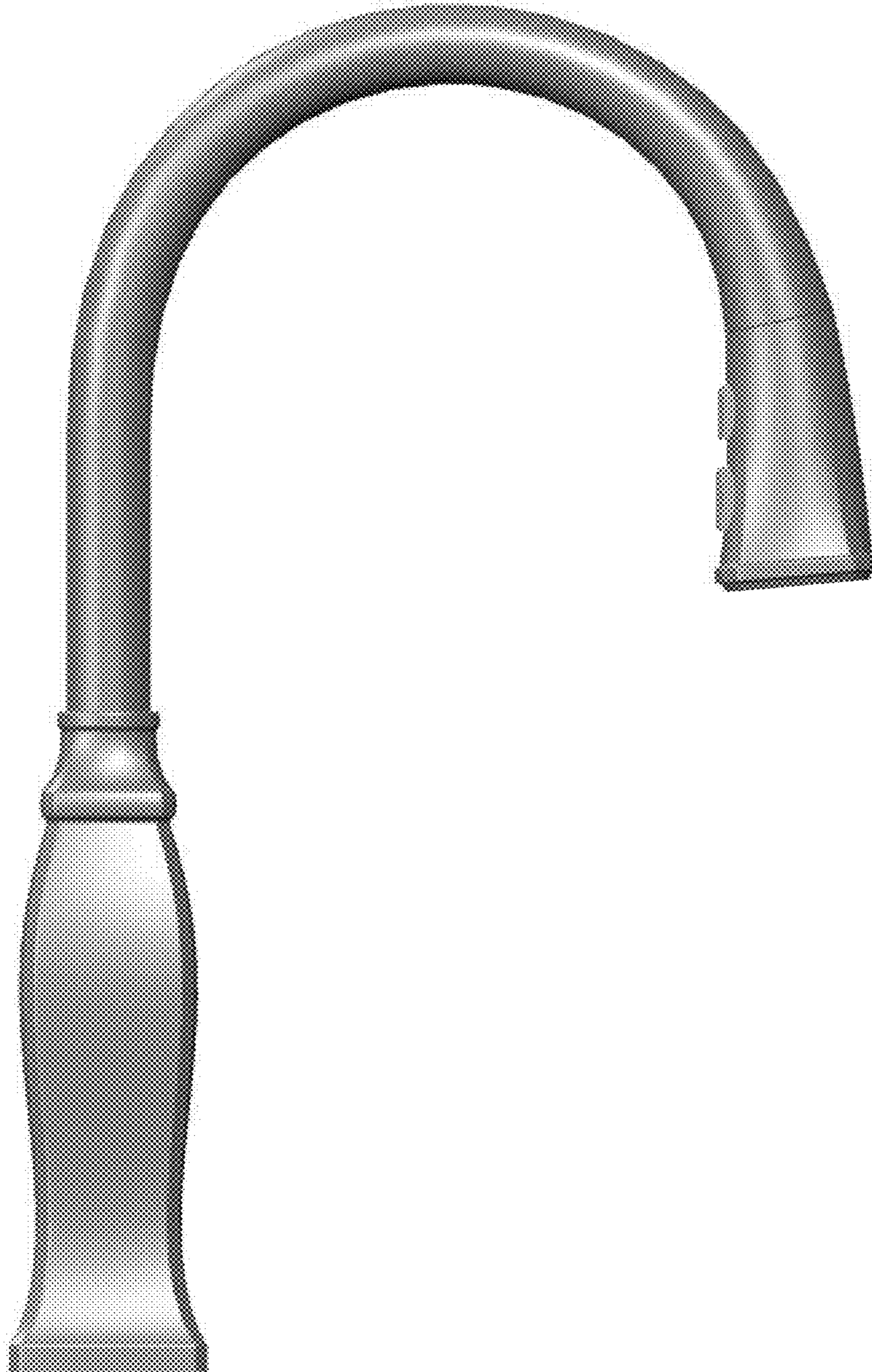


FIG. 5

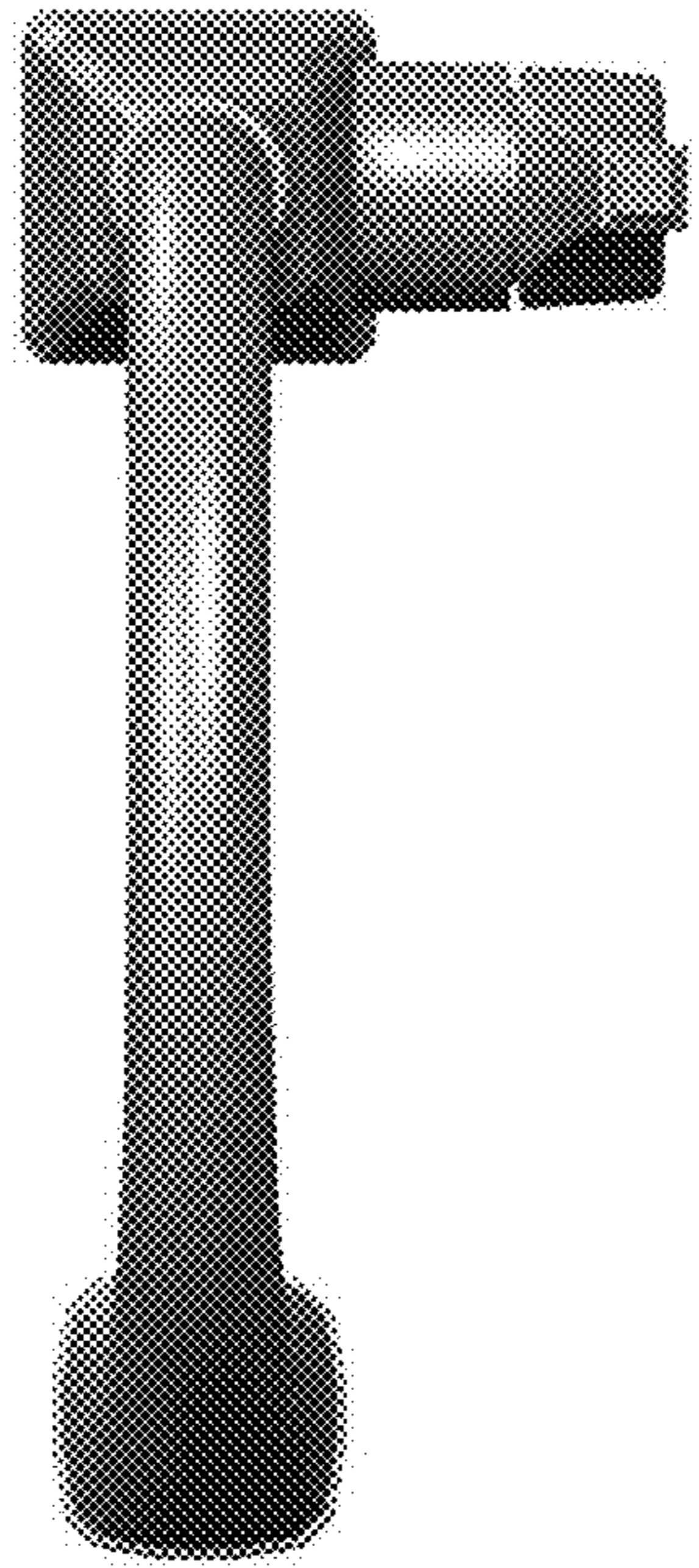


FIG. 6

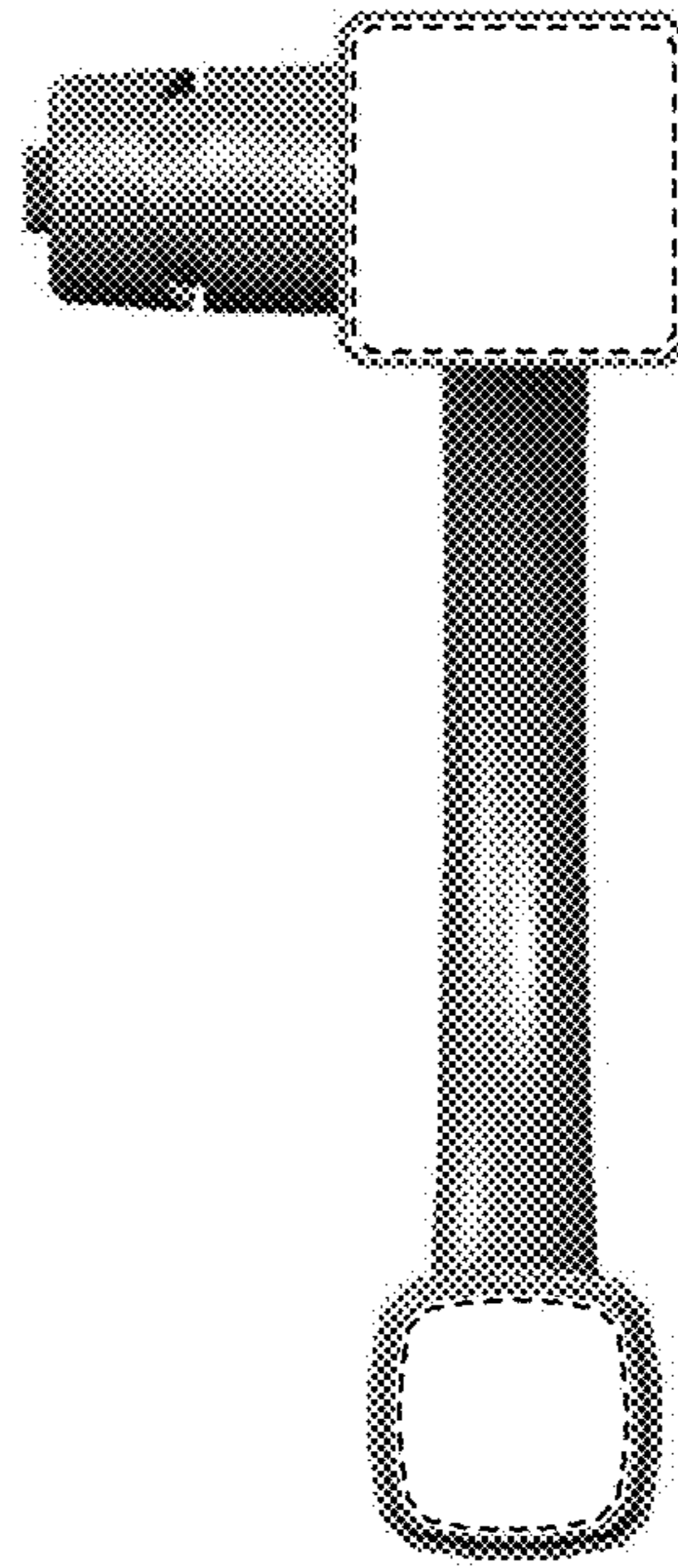


FIG. 7