



US00D797236S

(12) **United States Design Patent**
Blum

(10) **Patent No.:** **US D797,236 S**

(45) **Date of Patent:** **** Sep. 12, 2017**

(54) **FAUCET STREAM STRAIGHTENER**

(71) Applicant: **Neoperl GmbH**, Mullheim (DE)

(72) Inventor: **Gerhard Blum**, Gutach (DE)

(73) Assignee: **Neoperl GmbH**, Müllheim (DE)

(**) Term: **15 Years**

(21) Appl. No.: **29/554,914**

(22) Filed: **Feb. 17, 2016**

(51) **LOC (10) Cl.** **23-01**

(52) **U.S. Cl.**
USPC **D23/213**

(58) **Field of Classification Search**
USPC D23/213; 4/678; 239/428.5, 581.1,
239/582.1, 581.2; 261/DIG. 22
CPC E03C 1/084; B05B 7/0425
See application file for complete search history.

(56) **References Cited**

U.S. PATENT DOCUMENTS

D536,417 S	2/2007	Buttgen
D537,916 S	3/2007	Buttgen
D577,416 S	9/2008	Buttgen
D641,836 S	7/2011	Grether
D641,839 S	7/2011	Grether
D642,662 S	8/2011	Grether
D682,987 S	5/2013	Blum
D684,240 S	6/2013	Stein
D690,796 S	10/2013	Blum
D690,797 S	10/2013	Blum

D691,238 S	*	10/2013	Grether	D23/213
D697,174 S		1/2014	Blum		
D697,175 S		1/2014	Grether		
D699,816 S		2/2014	Blum		
D700,282 S		2/2014	Blum		
D709,593 S		7/2014	Blum		
D752,710 S	*	3/2016	Tempel	D23/213
D776,240 S	*	1/2017	Huang	D23/213
D776,242 S	*	1/2017	Blum	D23/213

* cited by examiner

Primary Examiner — Robin V Webster

(74) *Attorney, Agent, or Firm* — Volpe and Koenig, P.C.

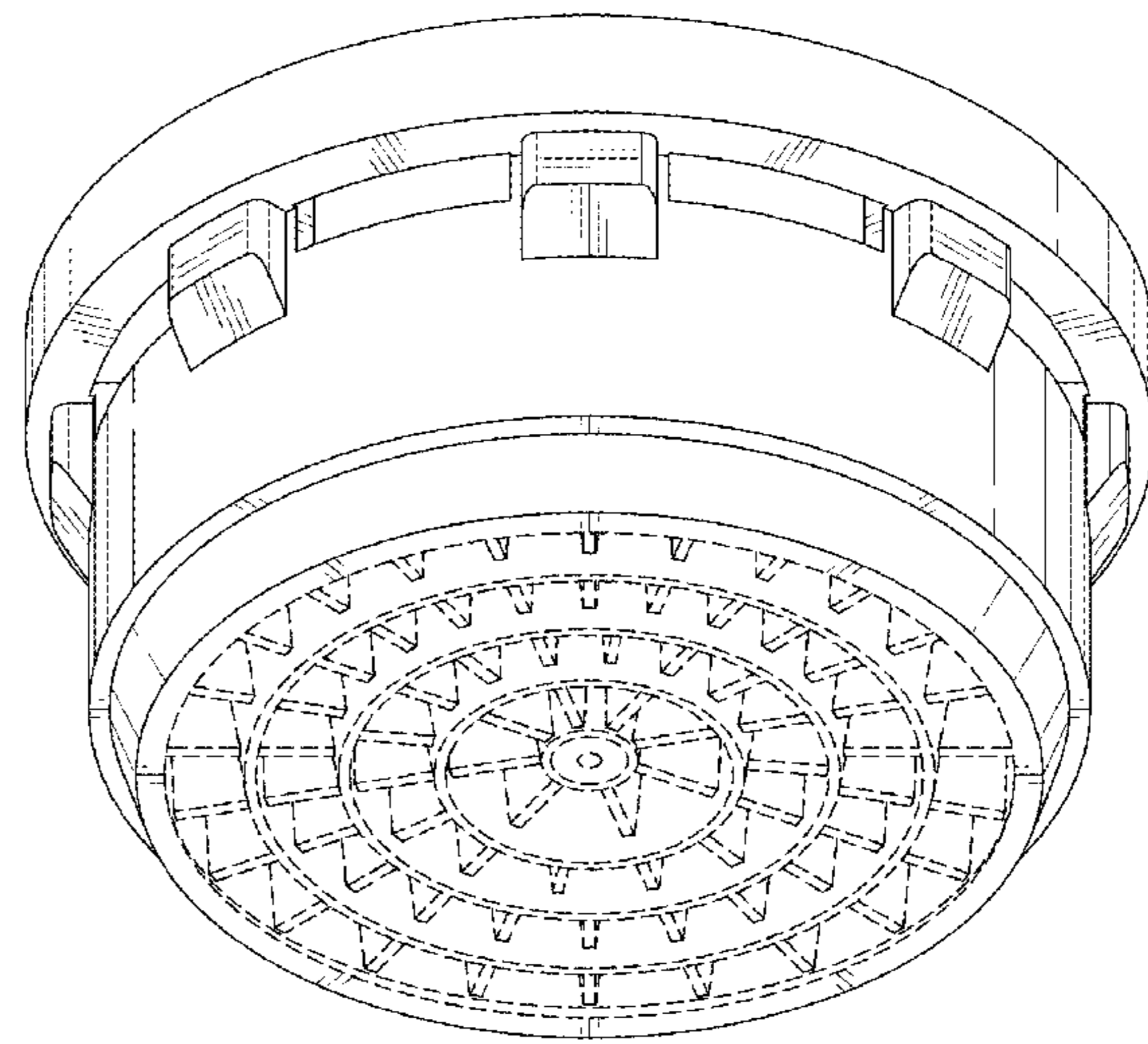
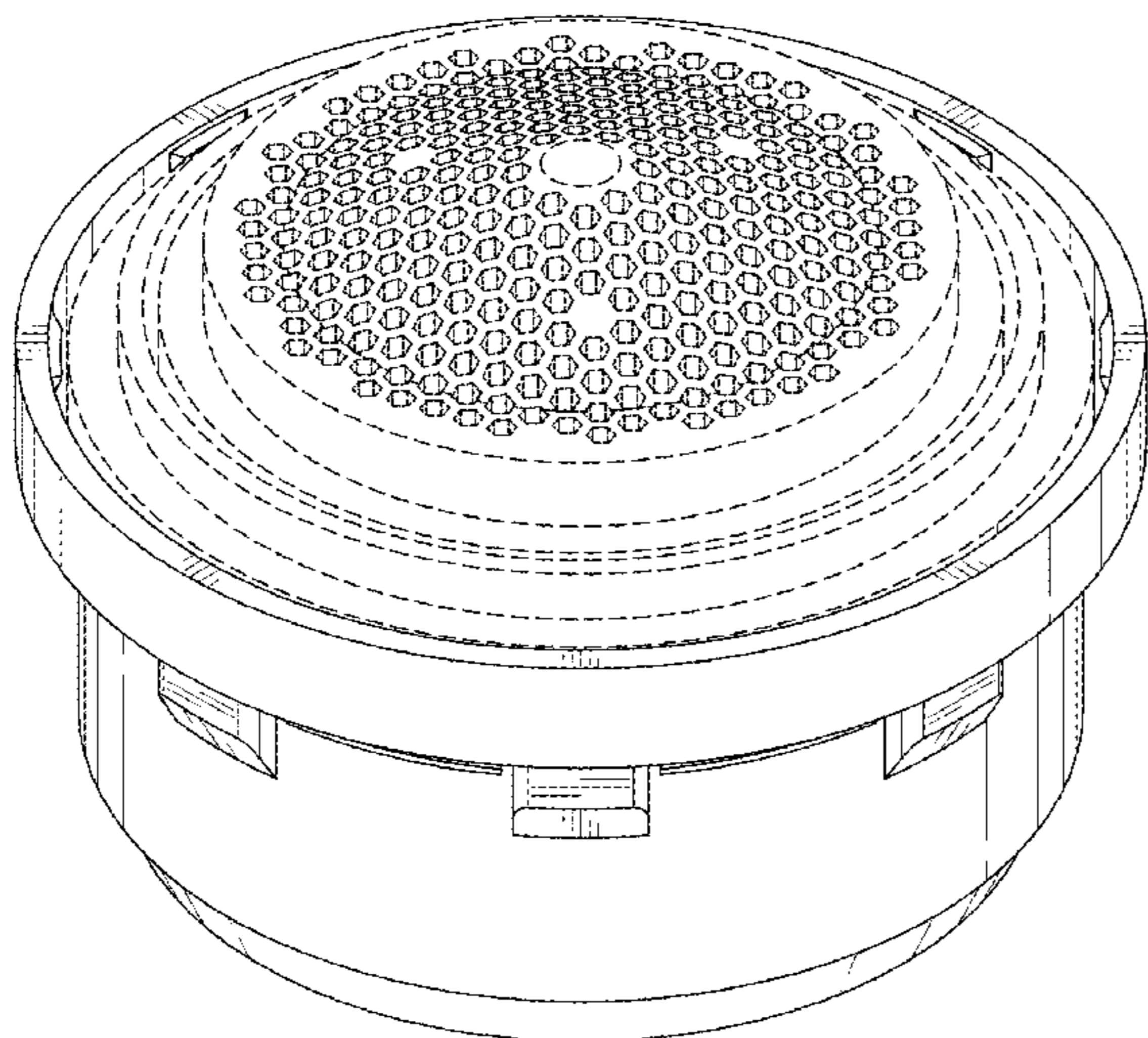
(57) **CLAIM**

The ornamental design of a faucet stream straightener, as shown and described.

DESCRIPTION

FIG. 1 is a top plan view of a faucet stream straightener in accordance with my design;
FIG. 2 is a top, front perspective view thereof;
FIG. 3 is a bottom view thereof;
FIG. 4 is a bottom, rear perspective view thereof;
FIG. 5 is a left side elevational view thereof;
FIG. 6 is a rear elevational view thereof;
FIG. 7 is a right side elevational view thereof; and,
FIG. 8 is a front elevational view thereof.
The broken lines shown represent unclaimed subject matter and do not form part of the claimed design.

1 Claim, 8 Drawing Sheets



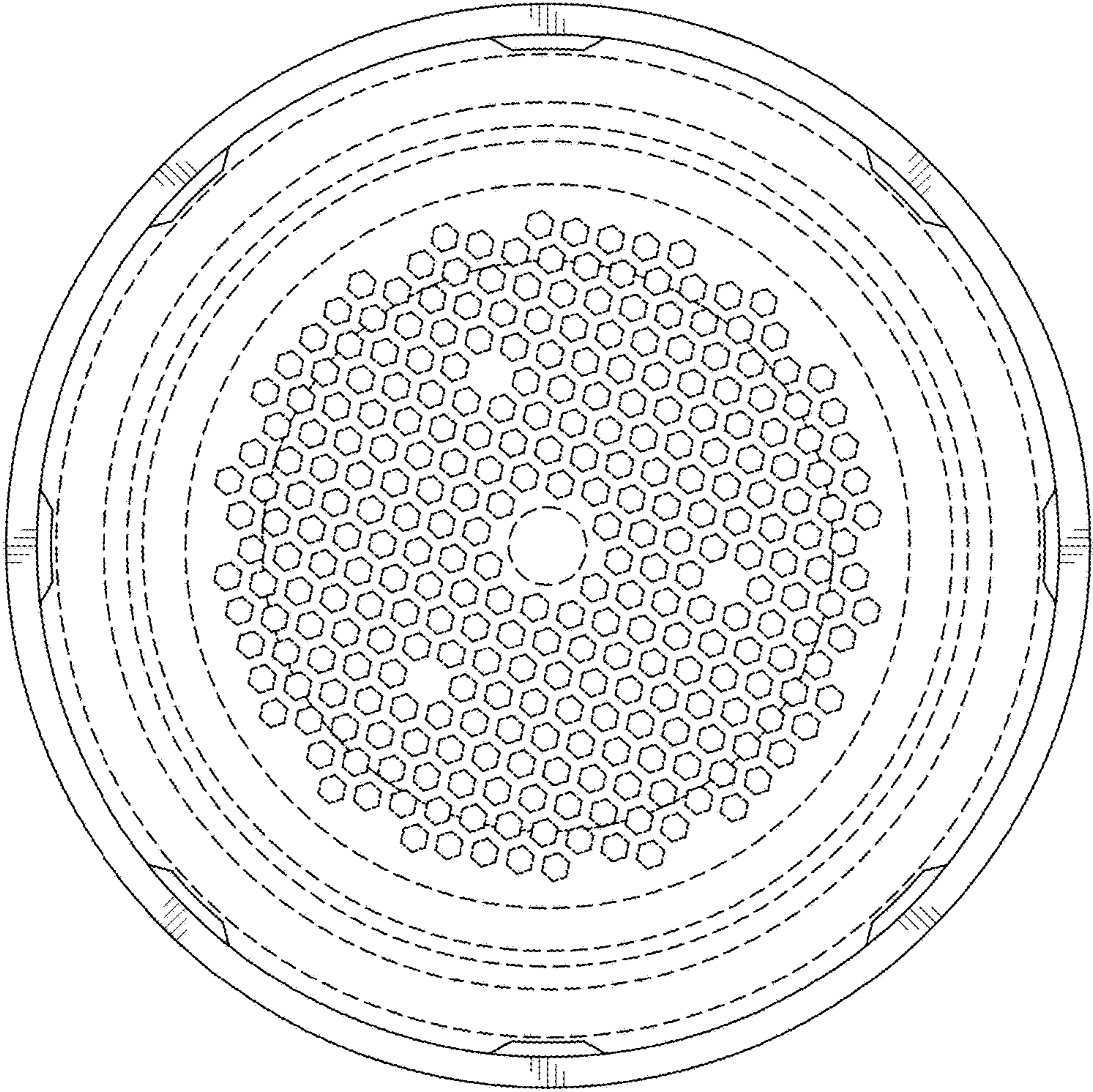


Fig. 1

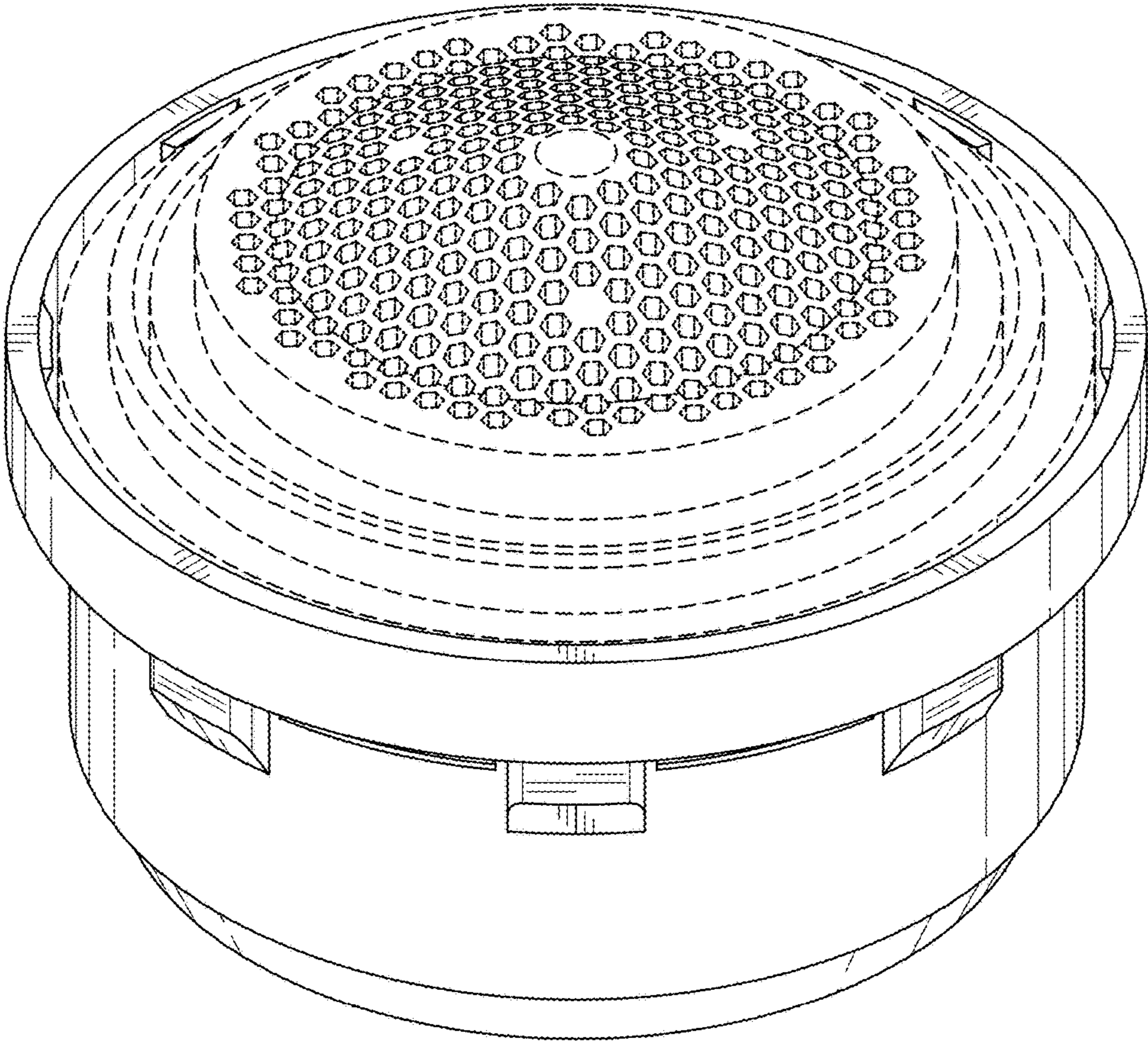


Fig. 2

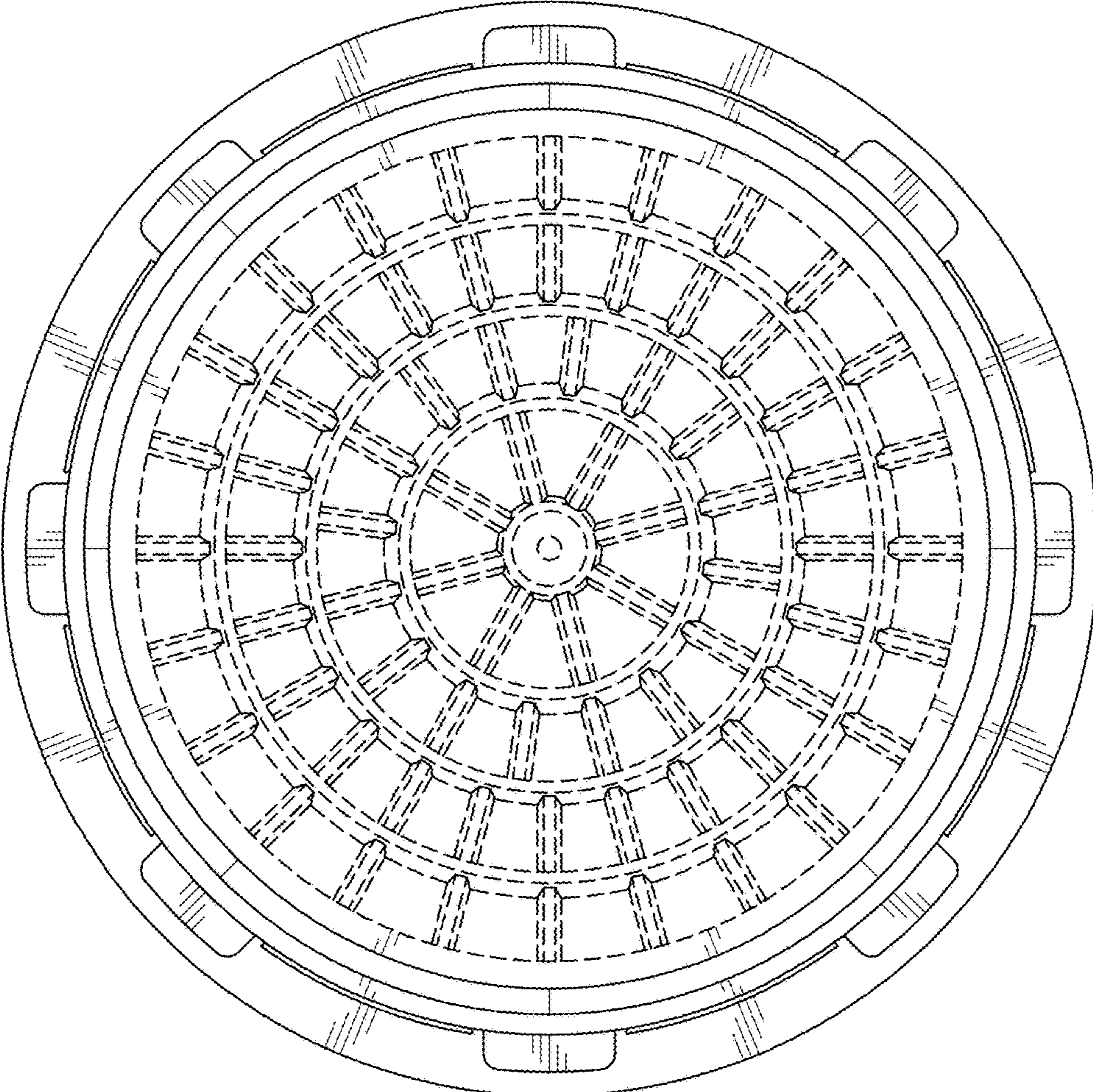


Fig. 3

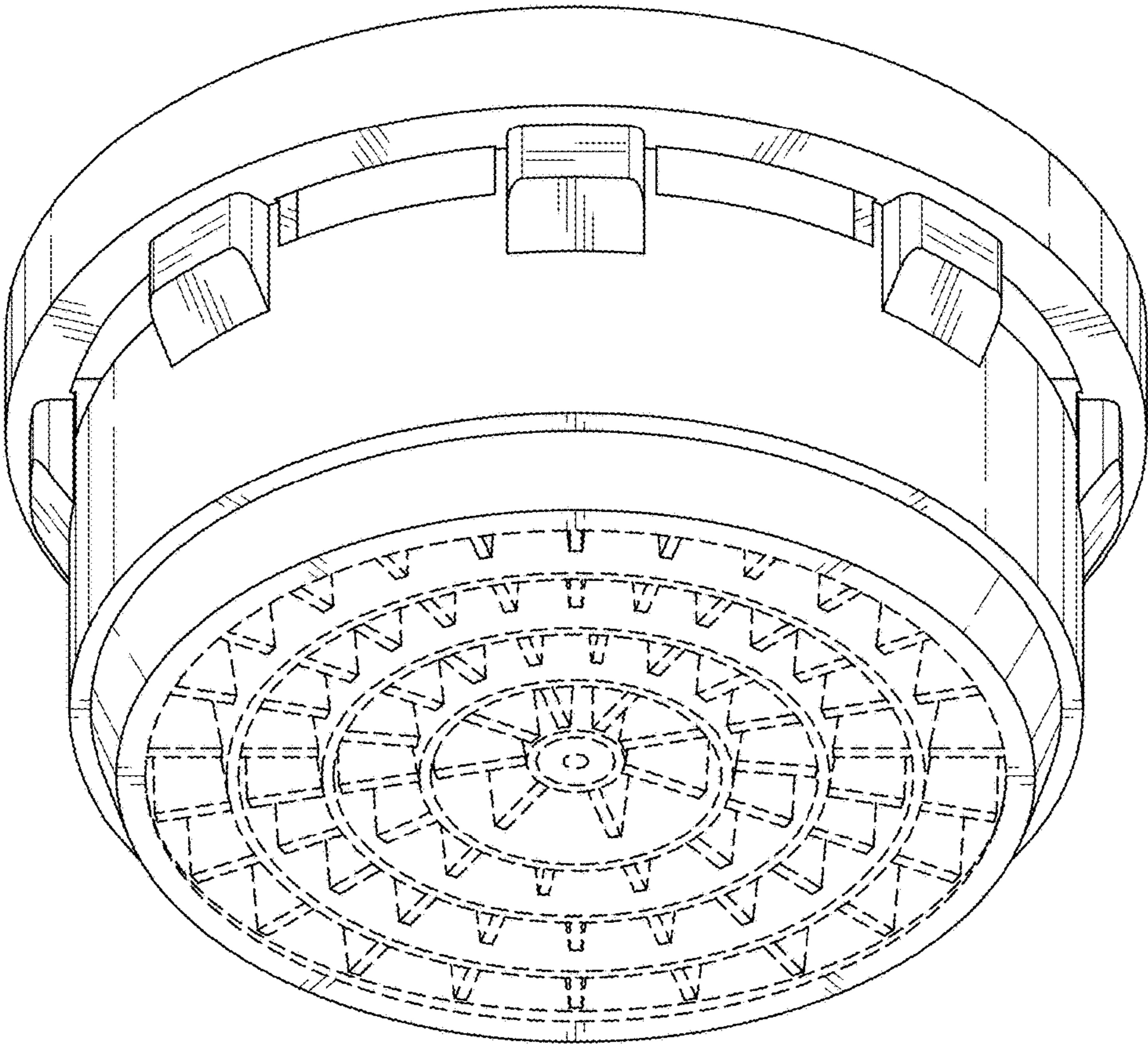


Fig. 4

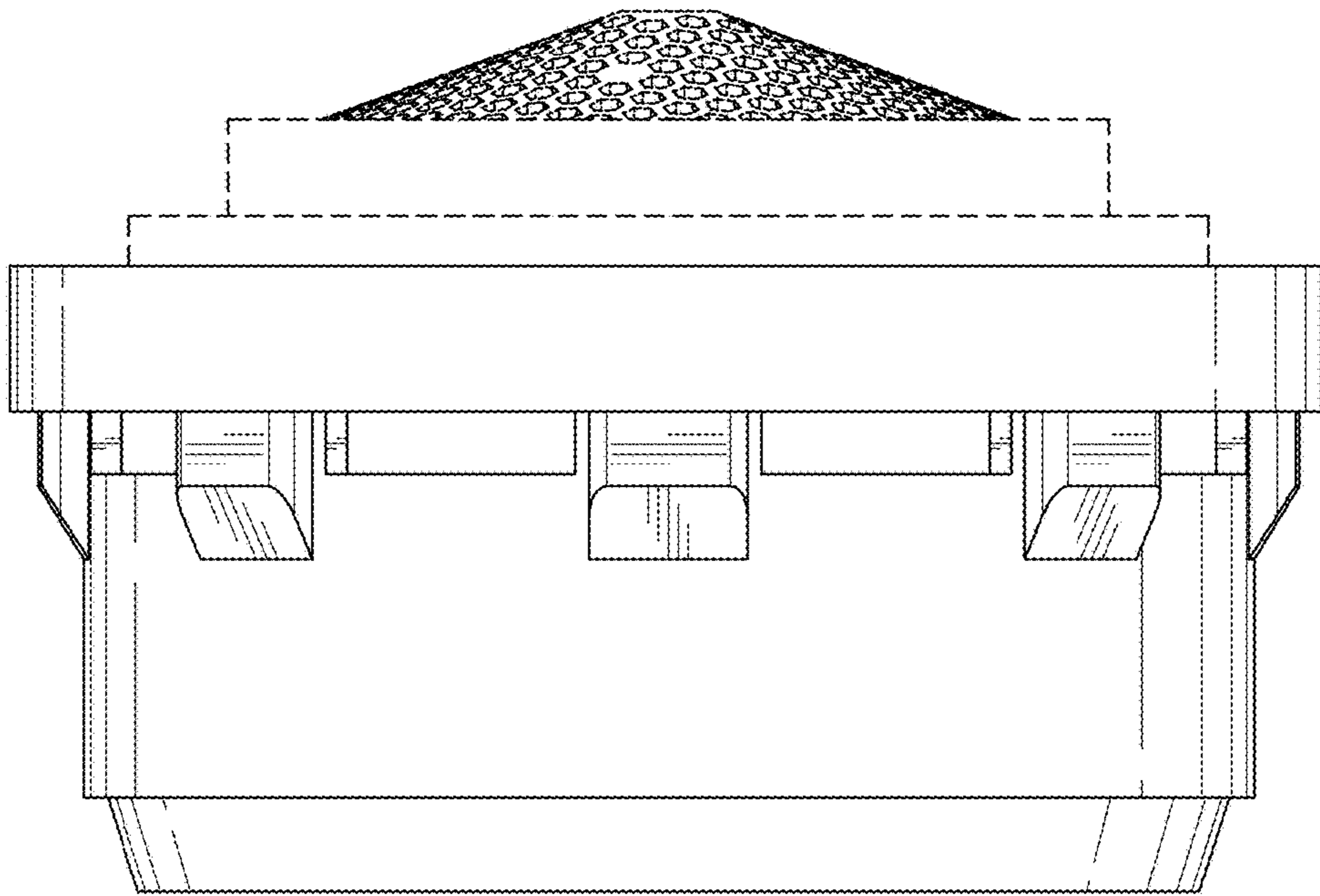


Fig. 5

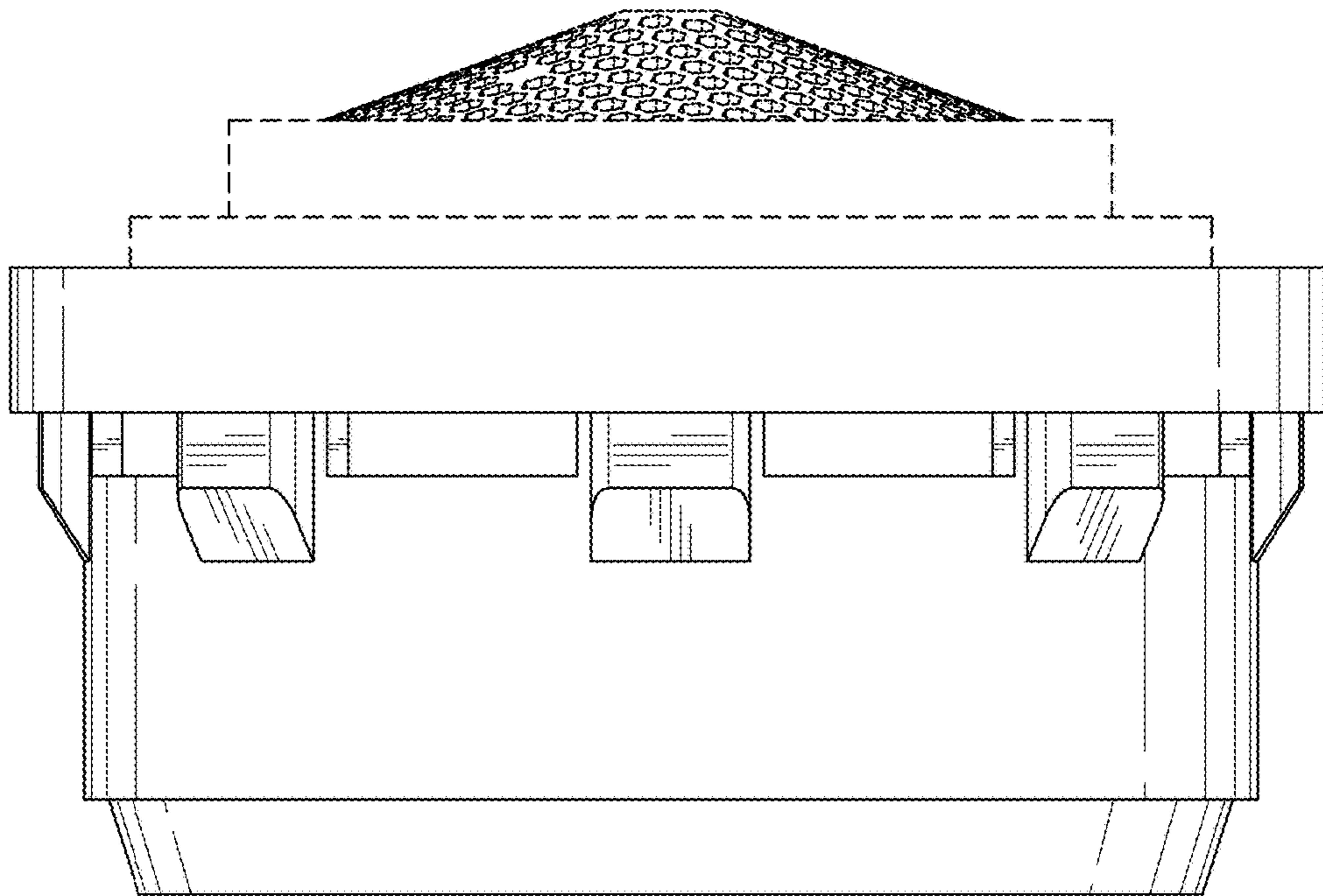


Fig. 6

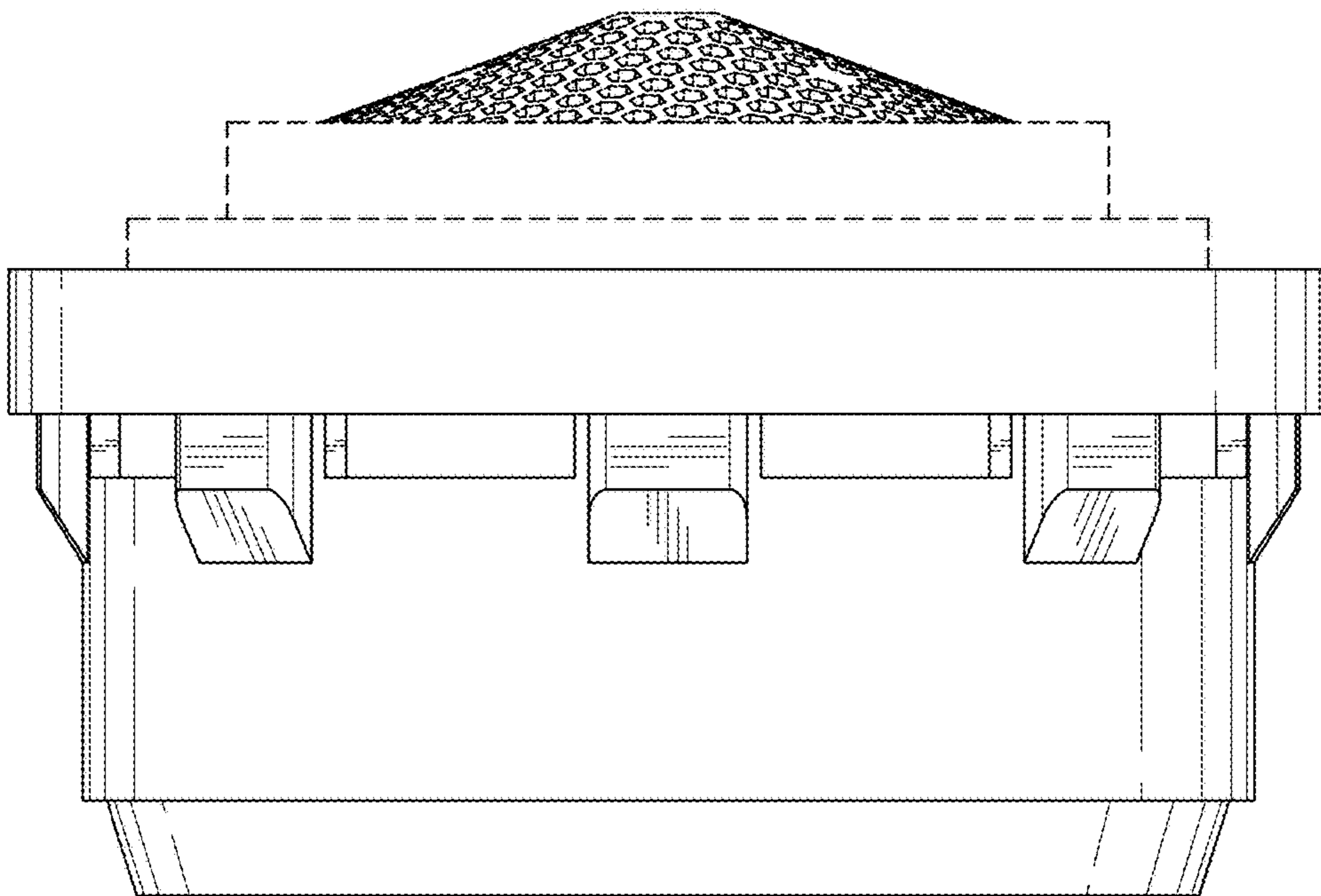


Fig. 7

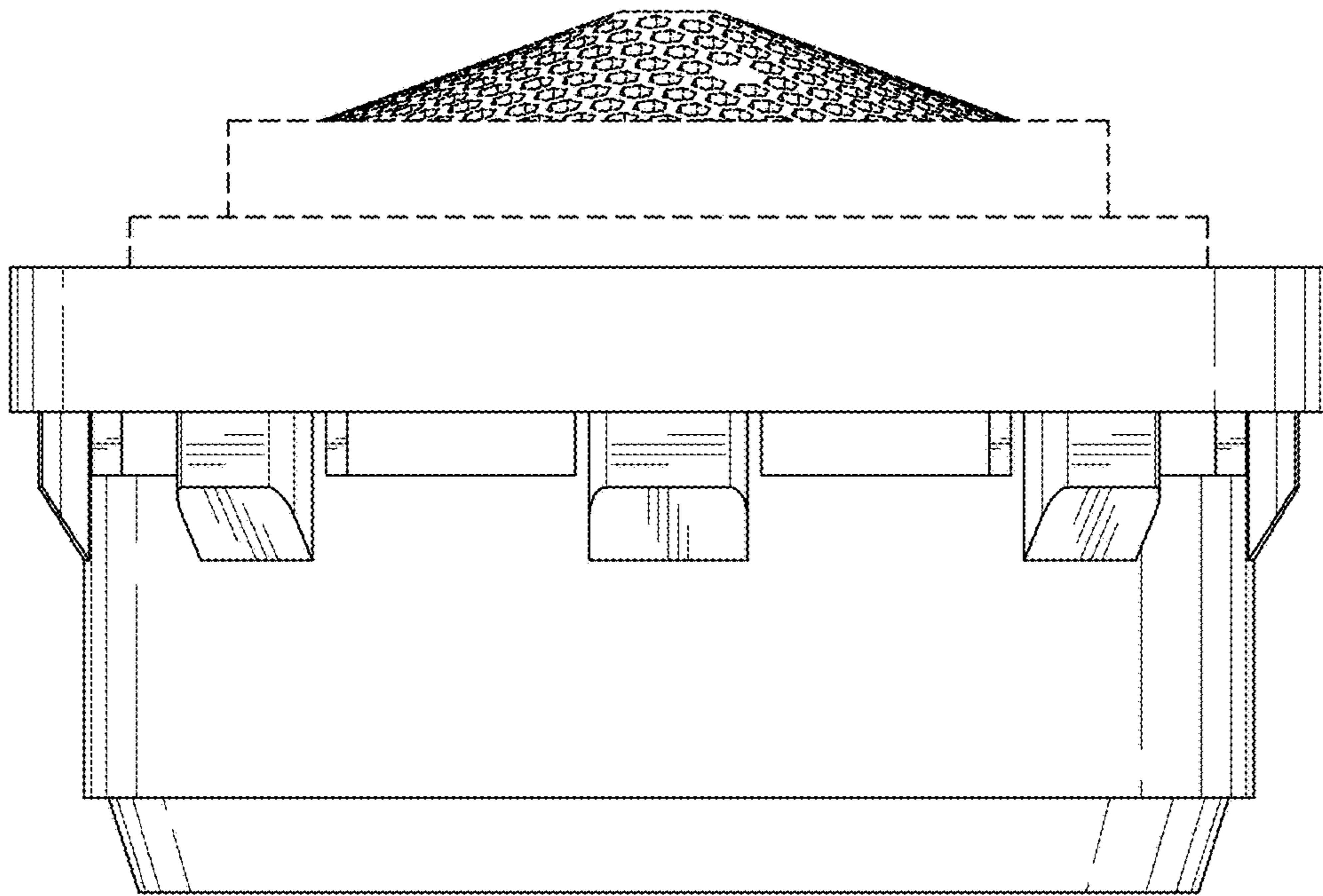


Fig. 8