



US00D797233S

(12) **United States Design Patent**
Howlett et al.

(10) **Patent No.:** **US D797,233 S**

(45) **Date of Patent:** **** Sep. 12, 2017**

(54) **REAR SIGHT PROTECTOR FOR PISTOL**

(71) Applicant: **FN America, LLC**, McLean, VA (US)

(72) Inventors: **Luke Randel Howlett**, Camden, SC (US); **Olivier Holger Costet**, Columbia, SC (US)

(73) Assignee: **FN Herstal, SA**, Herstal (BE)

(**) Term: **15 Years**

(21) Appl. No.: **29/552,479**

(22) Filed: **Jan. 22, 2016**

(51) **LOC (10) Cl.** **22-01**

(52) **U.S. Cl.**
USPC **D22/110**

(58) **Field of Classification Search**
USPC D22/108, 109, 110; D16/136
CPC F41G 1/10; F41G 11/003; F41G 11/004
See application file for complete search history.

(56) **References Cited**

U.S. PATENT DOCUMENTS

1,363,553 A *	12/1920	Barringer	F41G 1/12 42/145
D361,366 S *	8/1995	Emerson	D22/109
D611,113 S *	3/2010	Kay	D22/109
D679,359 S *	4/2013	Adock, Jr.	D22/108
D716,410 S *	10/2014	Wallgren	D22/109

* cited by examiner

Primary Examiner — Karen S Acker

Assistant Examiner — S. Bryan Reinholdt, Jr.

(74) *Attorney, Agent, or Firm* — Nexsen Pruet, LLC;
Michael A. Mann

(57) **CLAIM**

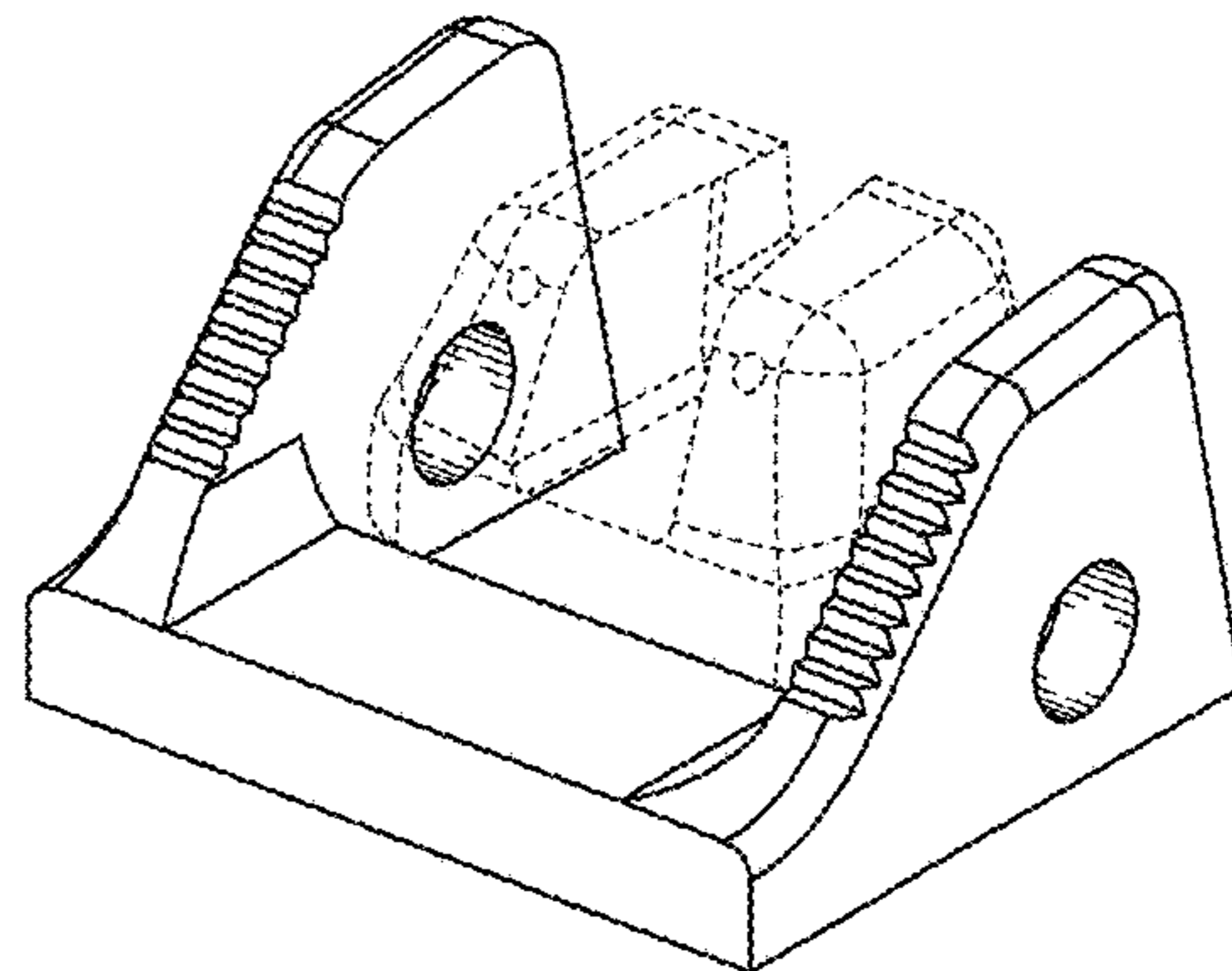
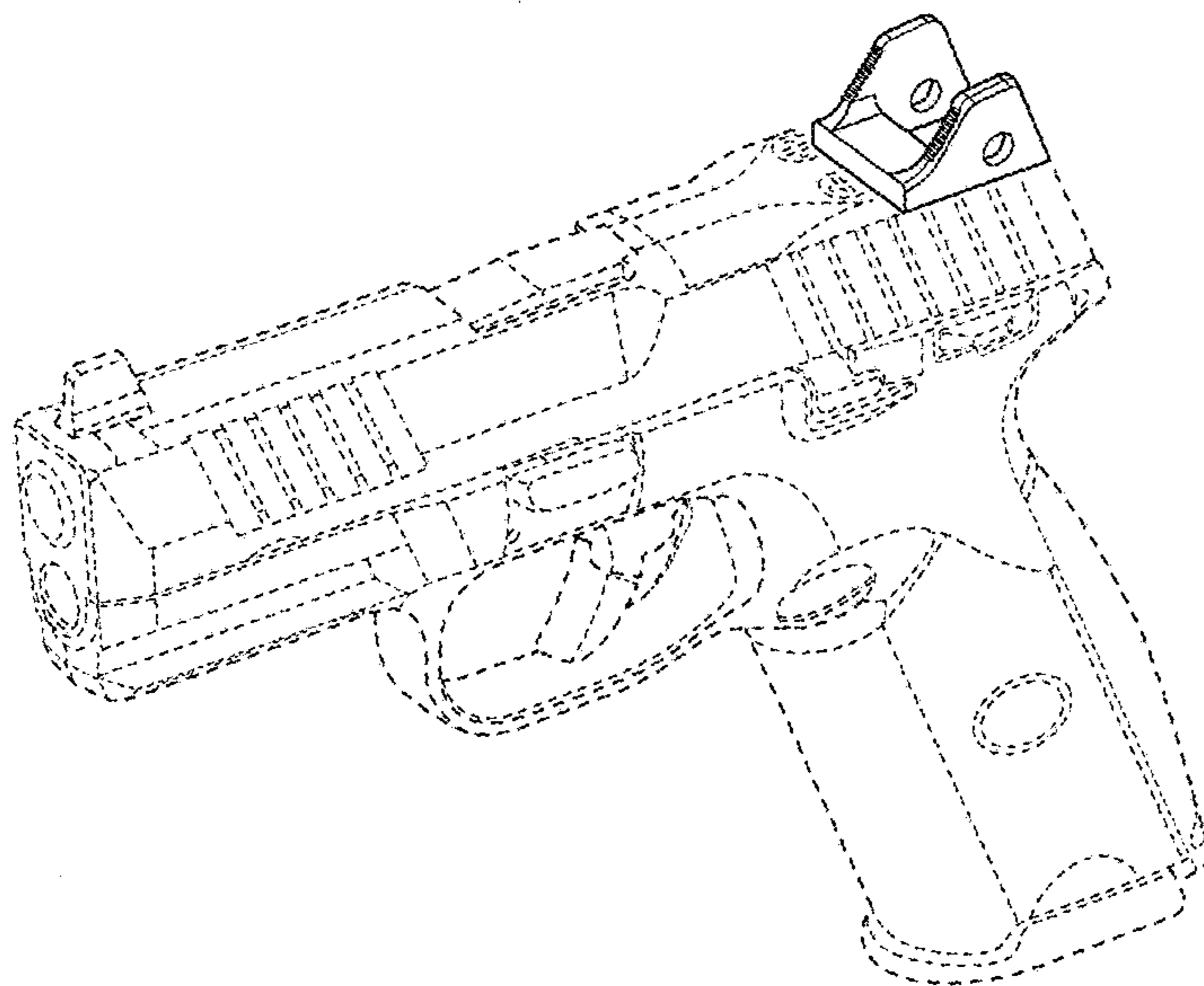
The ornamental design for a rear sight protector for pistol.

DESCRIPTION

FIG. 1 is a front left perspective view of the rear sight protector for pistol, according to our design;
FIG. 2 is a front left perspective detailed view of the rear sight protector for pistol according to our design;
FIG. 3 is a rear left side perspective view of the rear sight protector for pistol according to our design;
FIG. 4 is a right side view of the rear sight protector for pistol according to our design;
FIG. 5 is a left view of the rear sight protector for pistol according to our design;
FIG. 6 is a front view of the rear sight protector for pistol according to our design;
FIG. 7 is a rear view of the rear sight protector for pistol according to our design; and,
FIG. 8 is a top view of the rear sight protector for pistol according to our design.

The broken lines in the Figures represent a pistol and rear sight as environment that form no part of the claimed design.

1 Claim, 4 Drawing Sheets



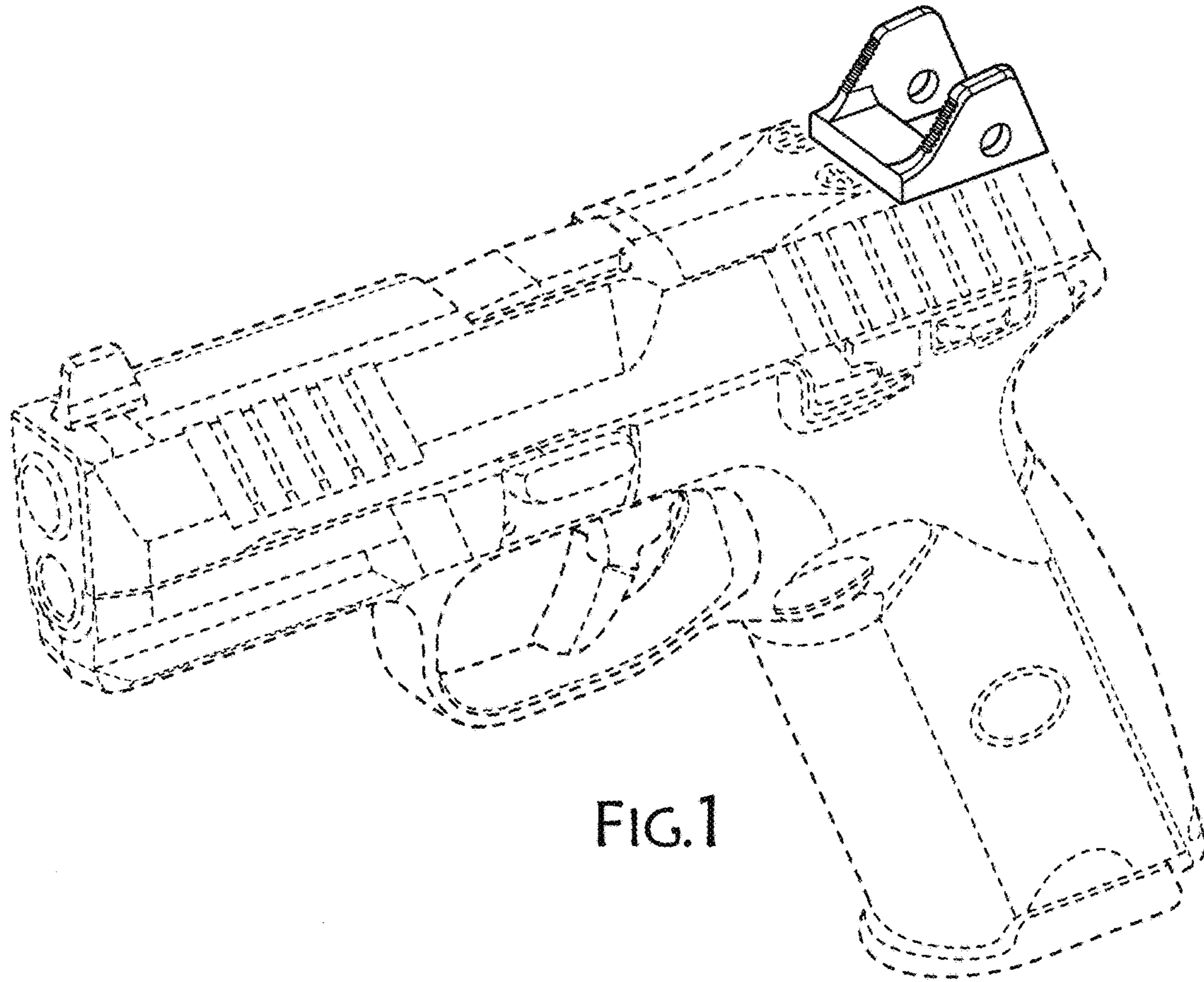


FIG. 1

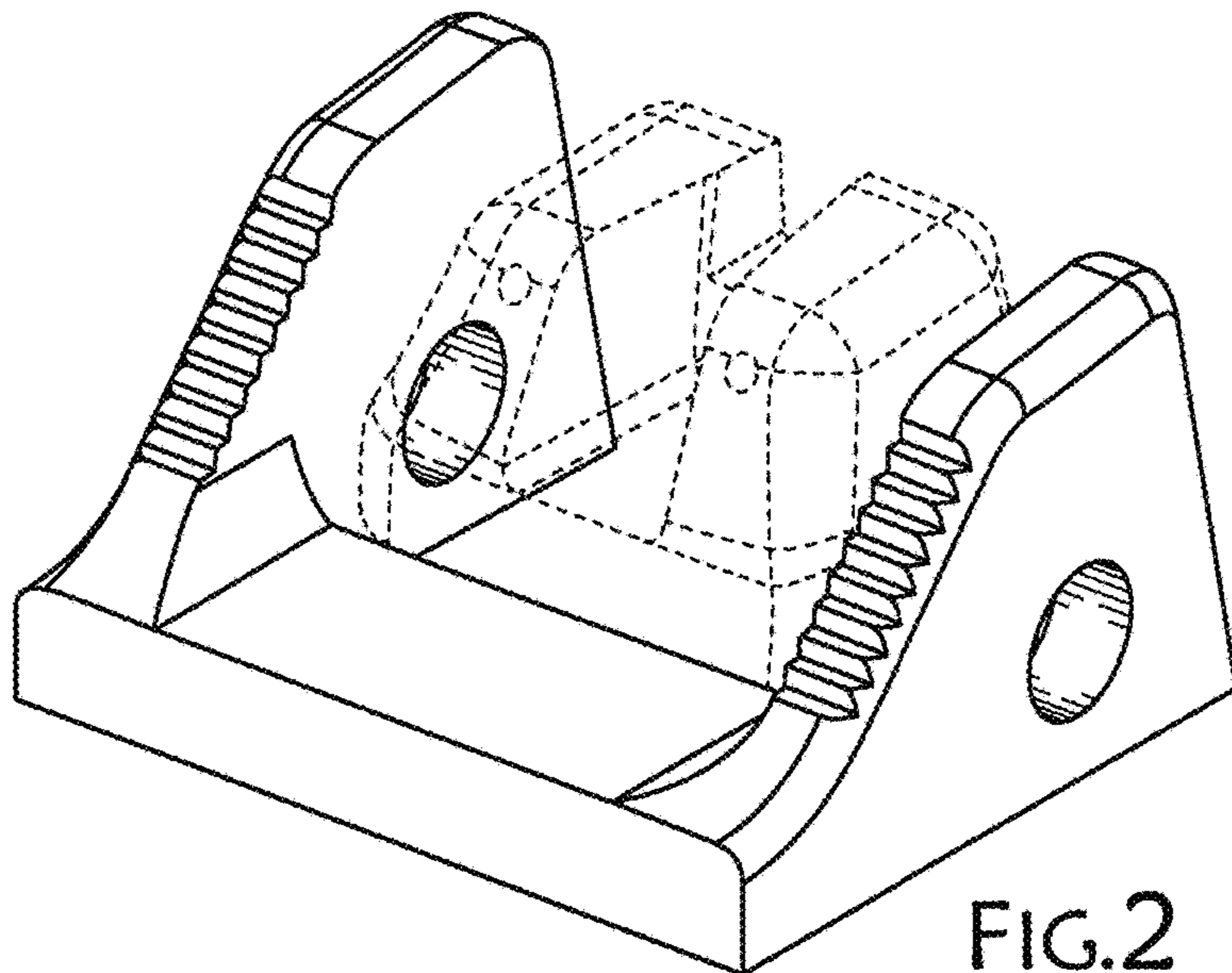


FIG. 2

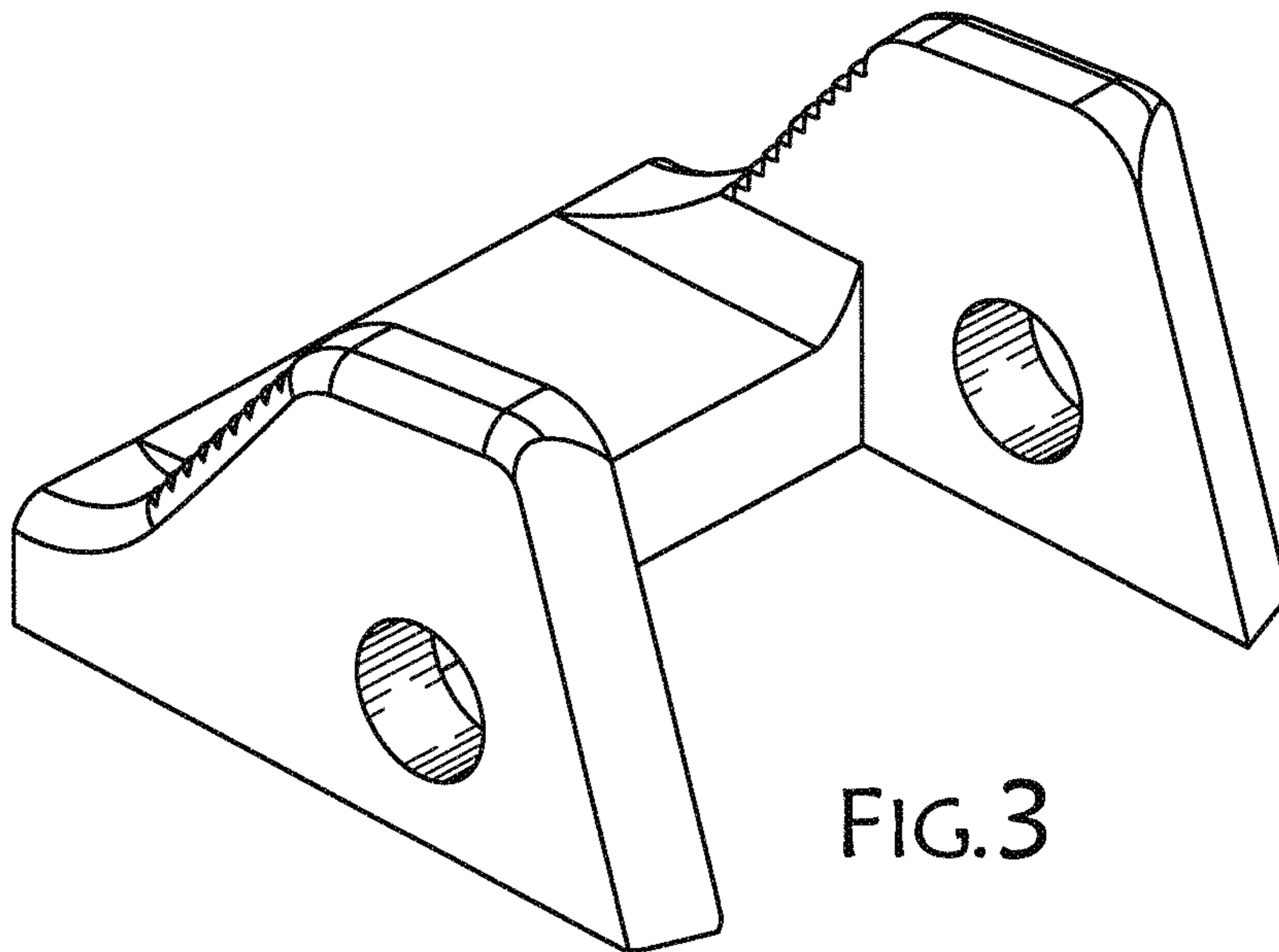


FIG.3

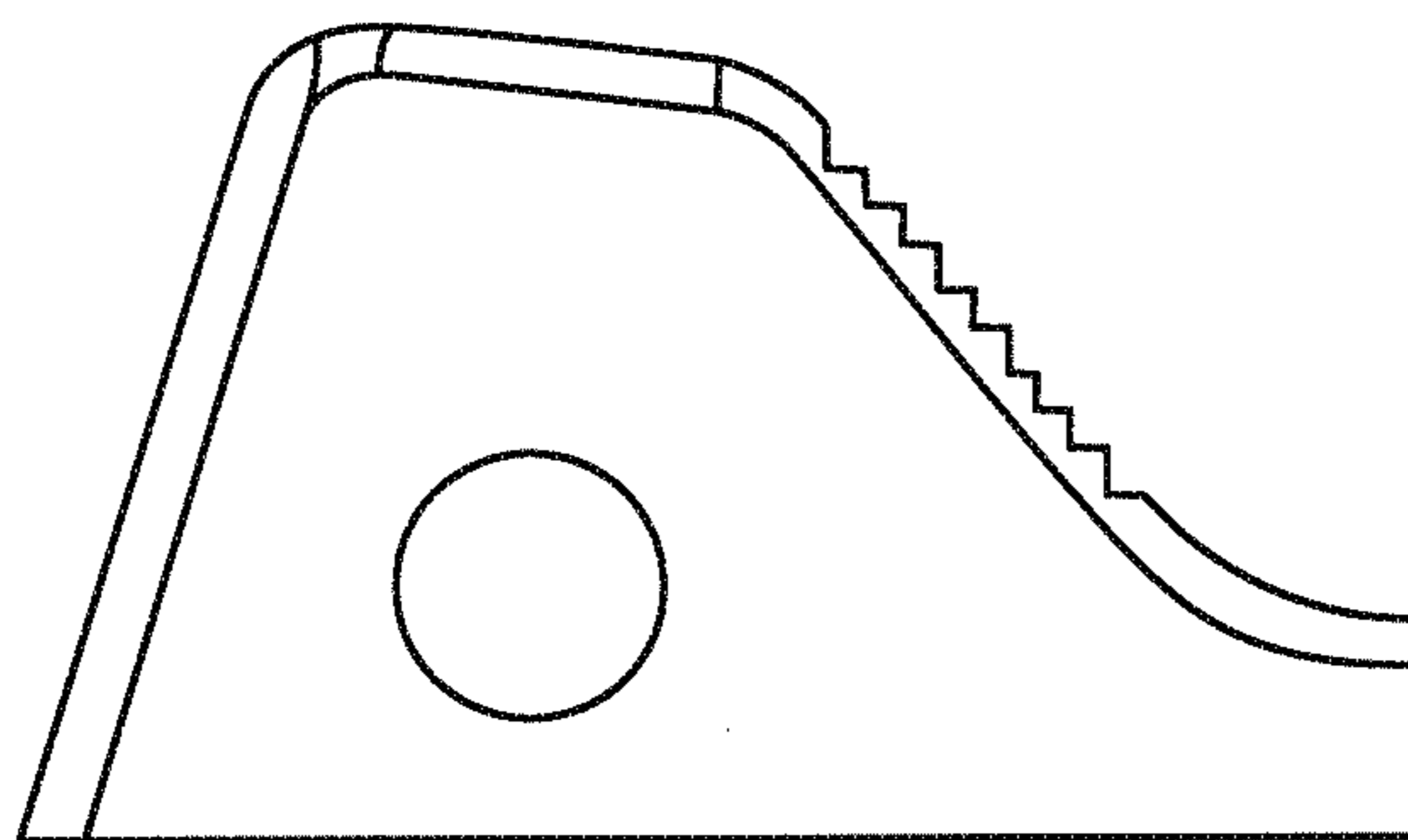


FIG.4

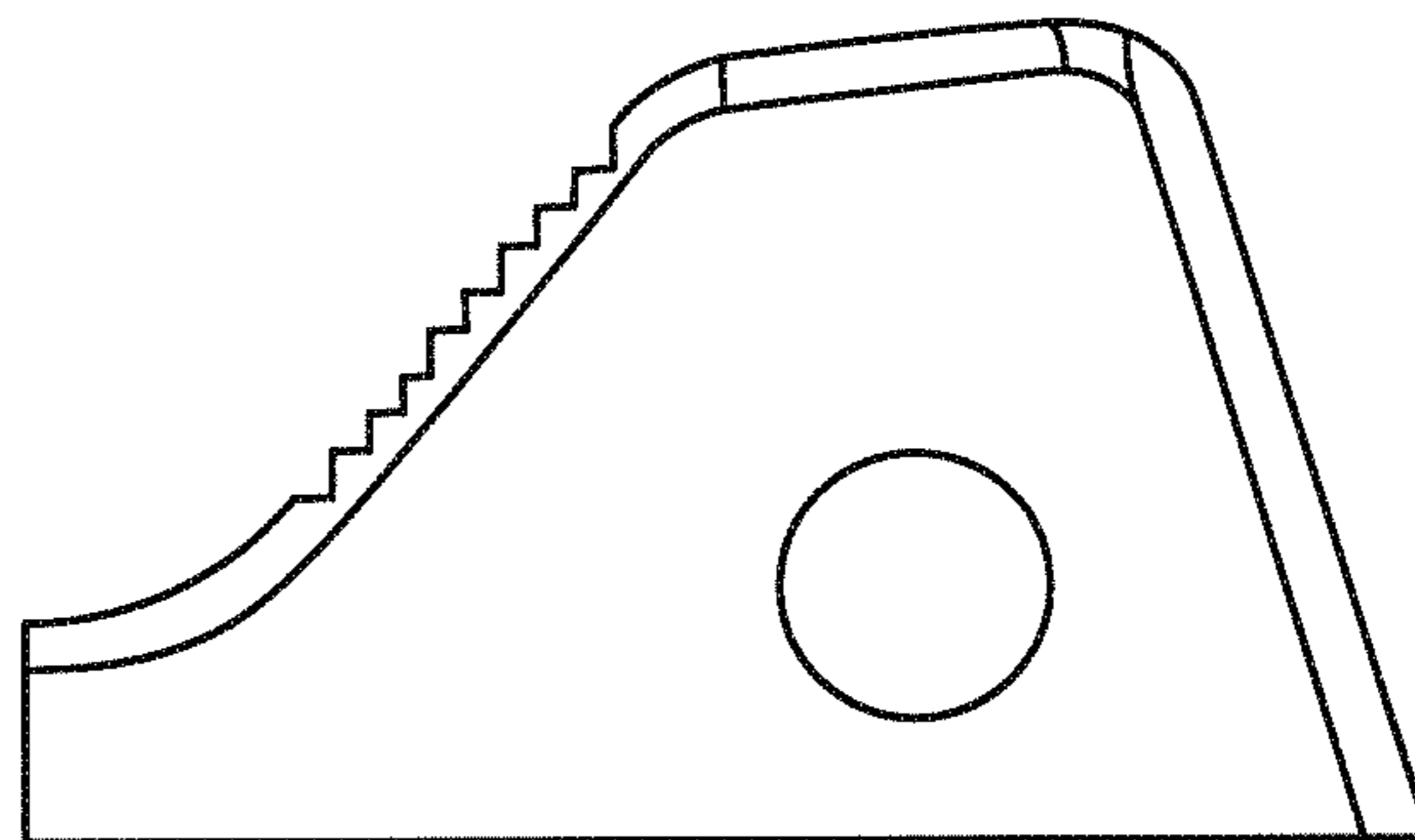


FIG.5

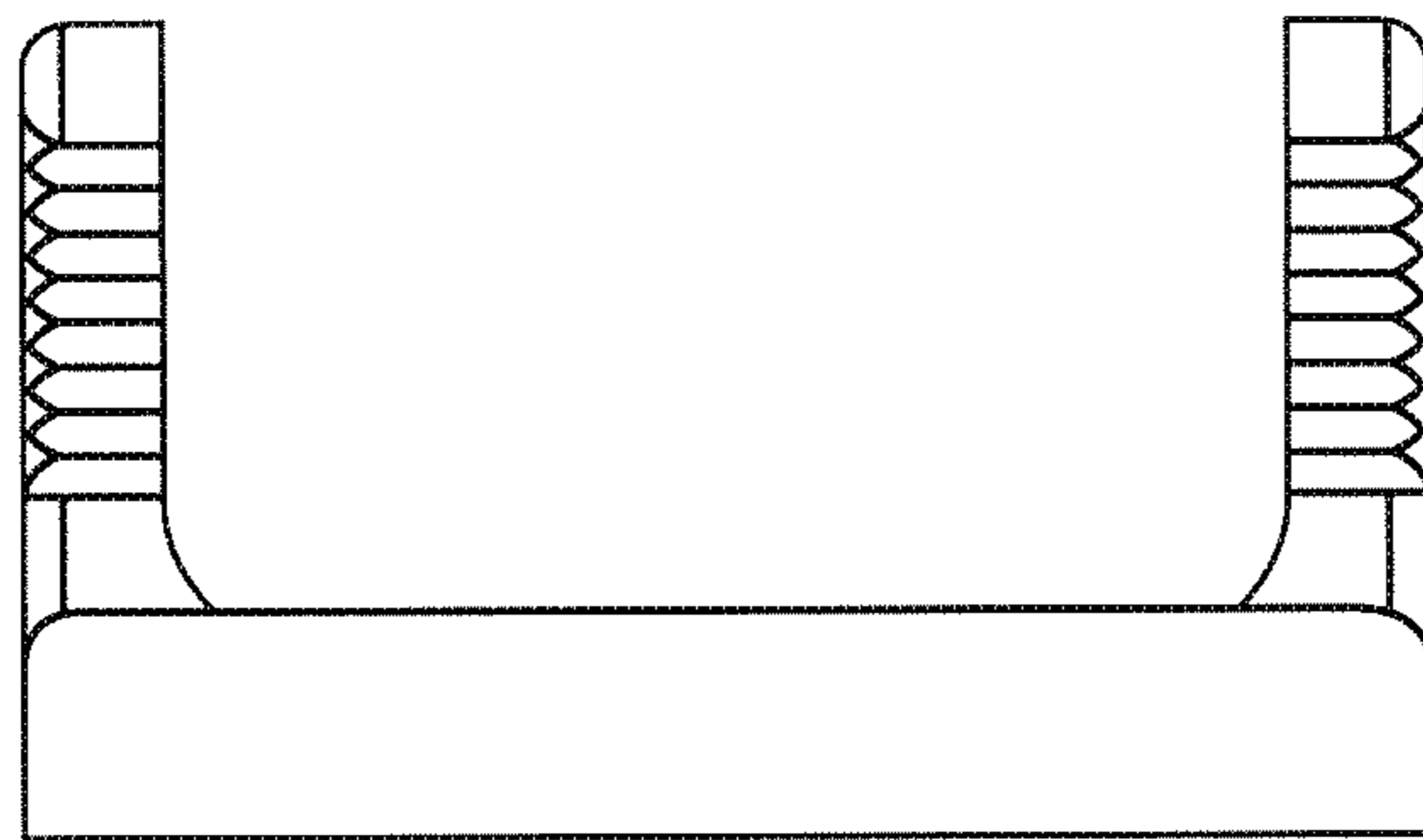


FIG. 6

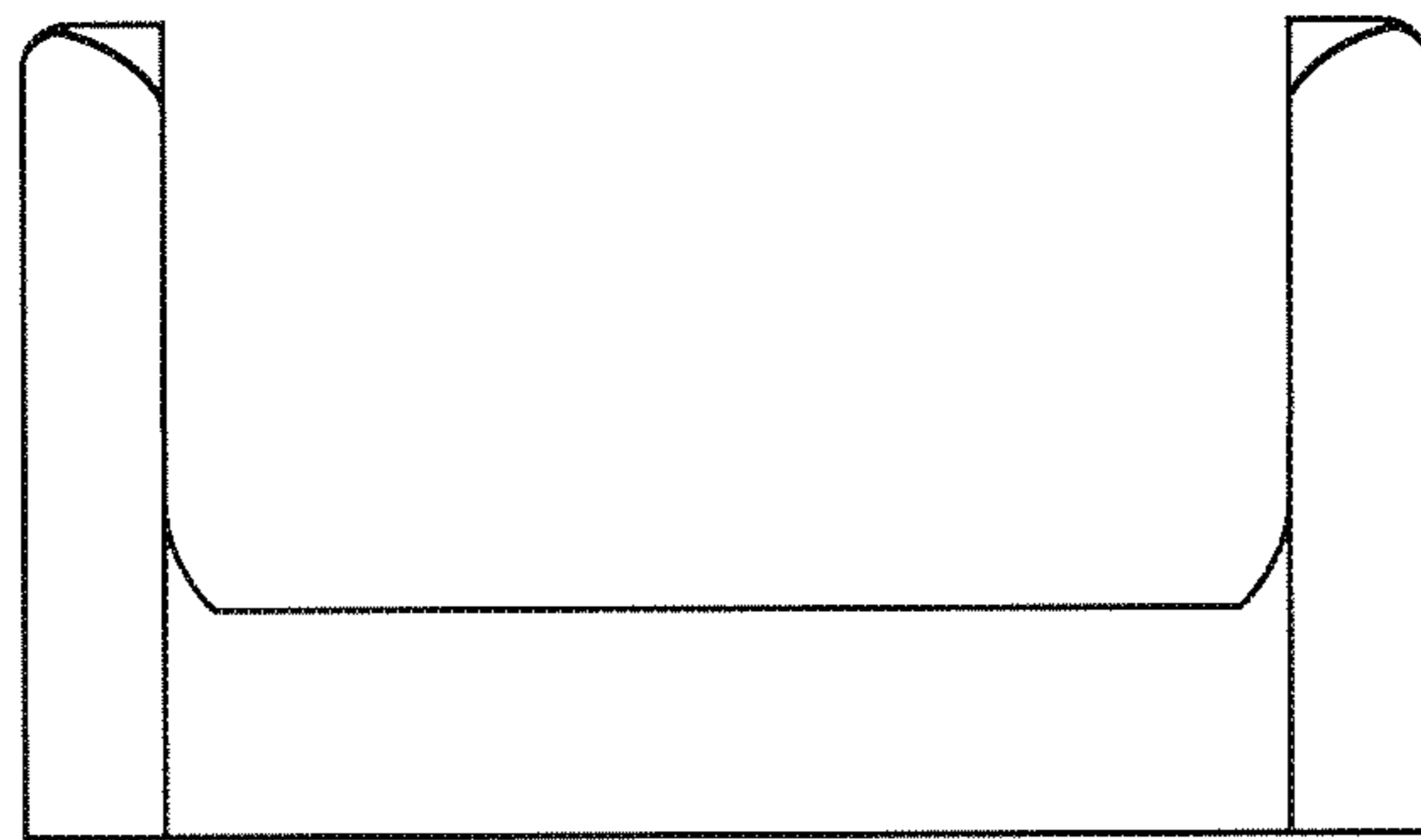


FIG. 7

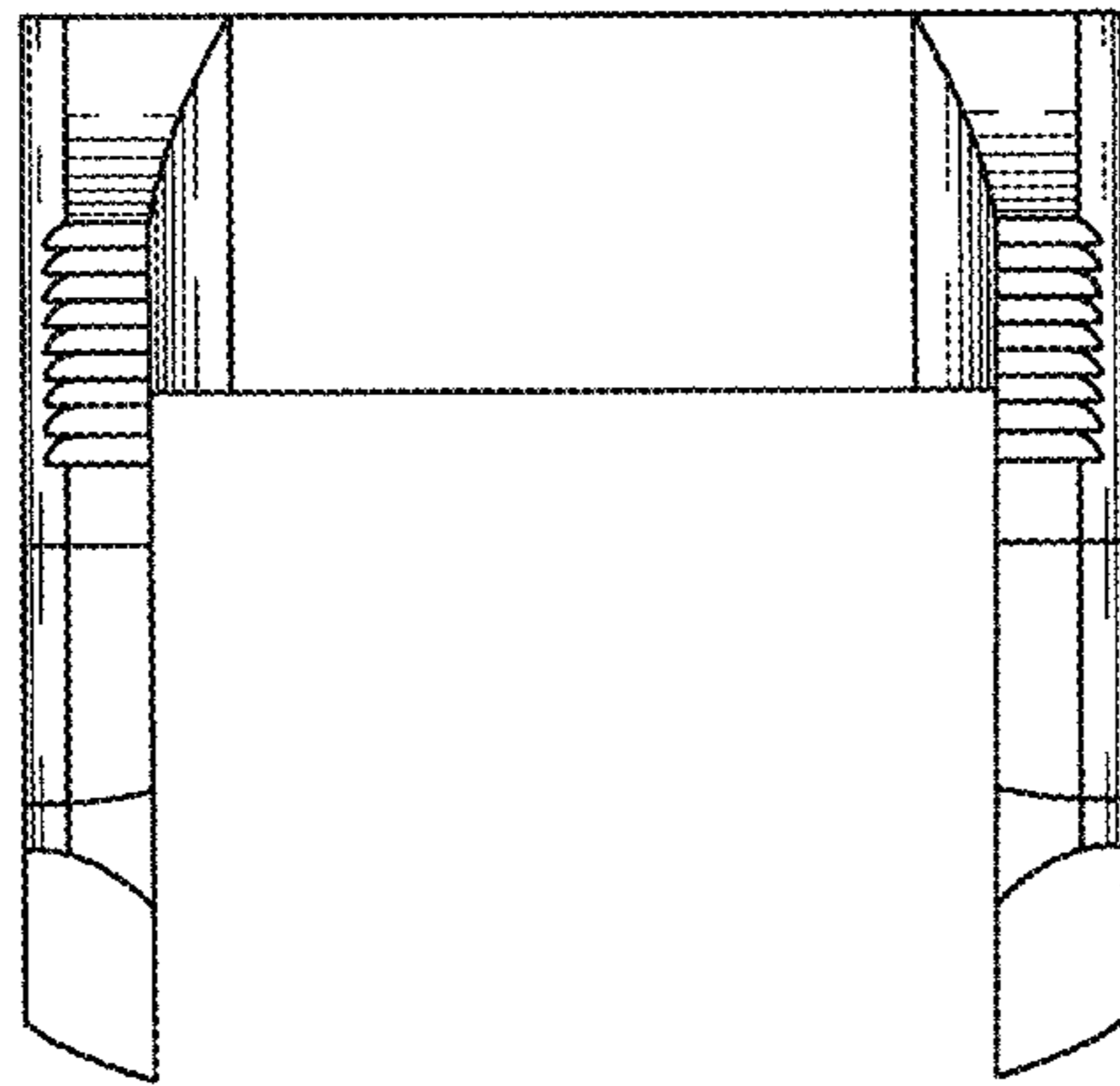


FIG. 8