



US00D797230S

(12) **United States Design Patent**
Houle

(10) **Patent No.:** **US D797,230 S**

(45) **Date of Patent:** **** *Sep. 12, 2017**

(54) **ROPE COCKER**

(71) Applicant: **PLACEMENTS GASTON HOULE INC., Wickham (CA)**

(72) Inventor: **Gaston Houle, Wickham (CA)**

(73) Assignee: **PLACEMENTS GASTON HOULE INC., Wickham (CA)**

(*) Notice: This patent is subject to a terminal disclaimer.

(**) Term: **15 Years**

(21) Appl. No.: **29/532,308**

(22) Filed: **Jul. 6, 2015**

(51) **LOC (10) Cl.** **22-01**

(52) **U.S. Cl.**
USPC **D22/107**

(58) **Field of Classification Search**
USPC D22/107; D21/571, 575
CPC F41B 5/10; F41B 5/1403; F41B 5/105;
F41B 5/14; F41B 5/123
See application file for complete search history.

(56) **References Cited**

U.S. PATENT DOCUMENTS

- 4,854,293 A * 8/1989 Roberts F41B 5/1469
124/35.2
- 4,926,834 A * 5/1990 Chauvin F41B 5/12
124/25
- 5,243,956 A * 9/1993 Luehring F41B 5/12
124/25
- 6,554,778 B1 * 4/2003 Fleming, III A61B 10/025
600/567
- 7,891,053 B2 * 2/2011 Schuelke B25G 3/18
16/110.1

- D647,157 S * 10/2011 Errett D22/107
- 8,573,192 B2 * 11/2013 Bednar F41B 5/1469
124/25
- 9,285,182 B2 * 3/2016 Bednar F41B 5/1469
- 9,383,159 B2 * 7/2016 Pulkrabek F41B 5/1469
- 9,423,203 B2 * 8/2016 Simonds F41B 5/123

* cited by examiner

Primary Examiner — Michael A Pratt

(74) *Attorney, Agent, or Firm* — Mathieu Audet

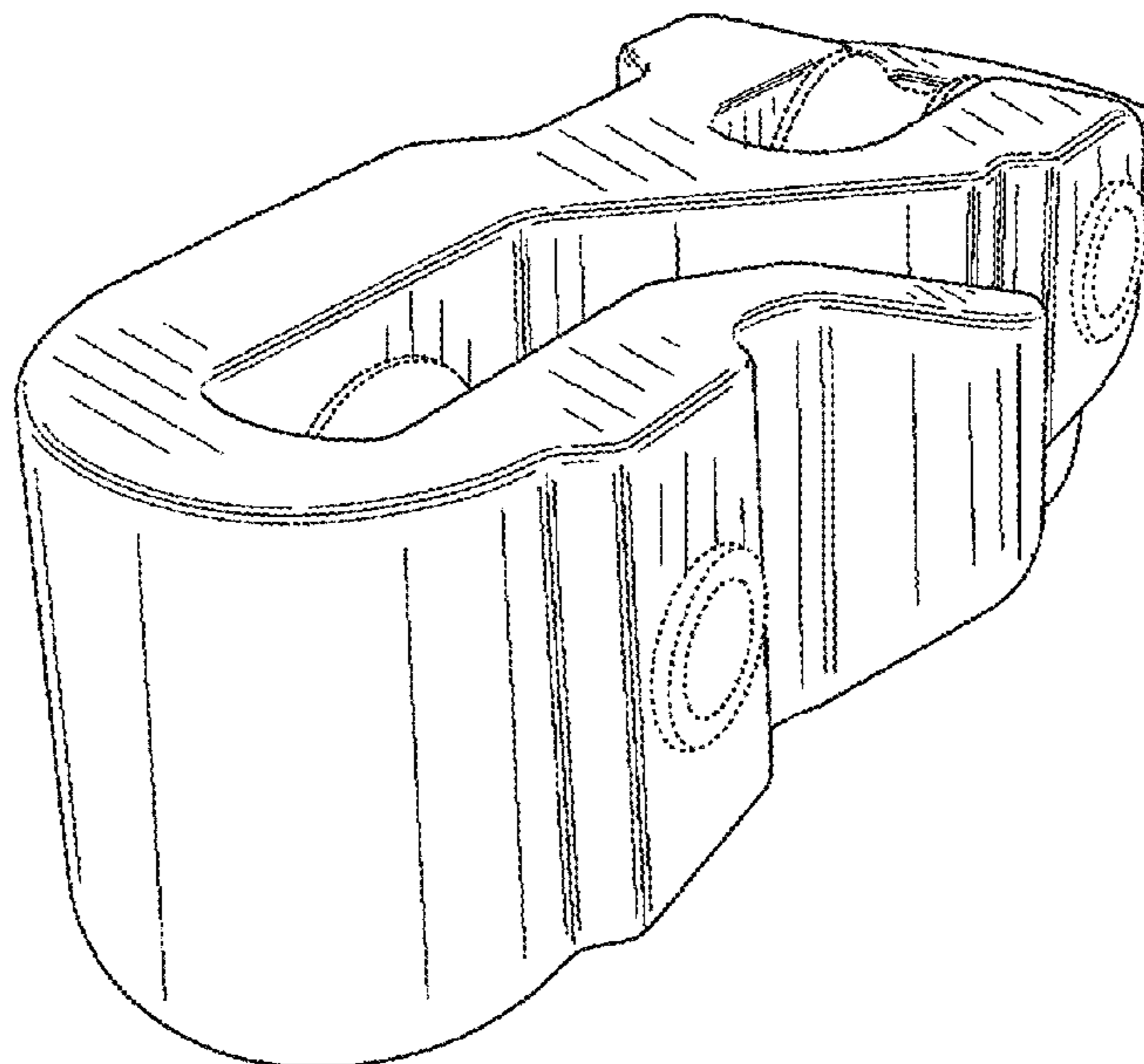
(57) **CLAIM**

The ornamental design for a rope cocker, as shown.

DESCRIPTION

FIG. 1 is an isometric view of a first version of an exemplary rope cocker;
 FIG. 2 is a back elevational view of the first version thereof;
 FIG. 3 is a front elevational view of the first version thereof;
 FIG. 4 is a left side elevational view of the first version thereof;
 FIG. 5 is a right side elevational view of the first version thereof;
 FIG. 6 is a bottom elevational view of the first version thereof;
 FIG. 7 is a top elevational view of the first version thereof;
 FIG. 8 is an isometric view of a second version thereof;
 FIG. 9 is a back elevational view of the first version thereof;
 FIG. 10 is a front elevational view of the first version thereof;
 FIG. 11 is a left side elevational view of the first version thereof;
 FIG. 12 is a right side elevational view of the first version thereof;
 FIG. 13 is a bottom elevational view of the first version thereof; and,
 FIG. 14 is a top elevational view of the first version thereof.

1 Claim, 14 Drawing Sheets



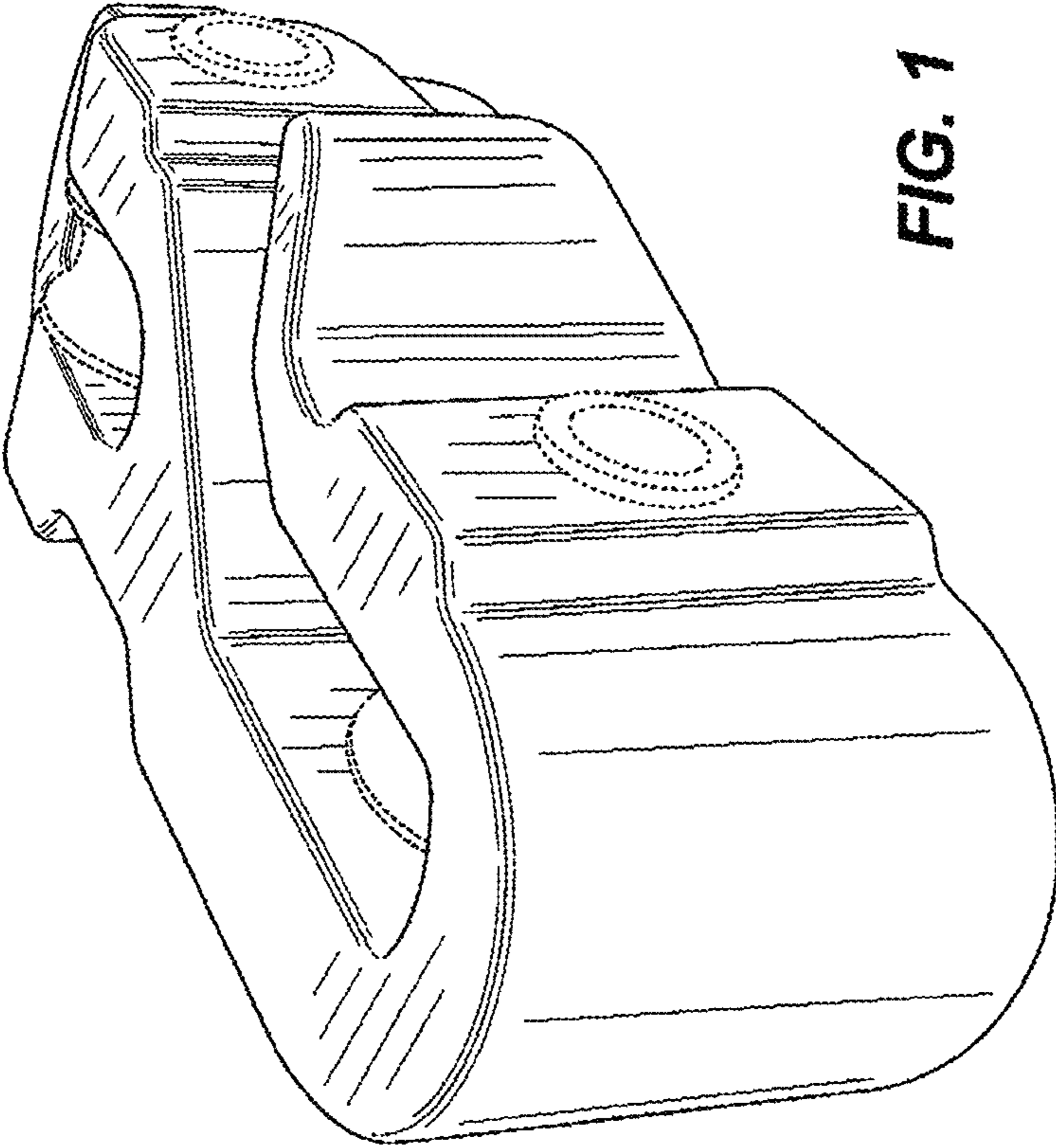


FIG. 1

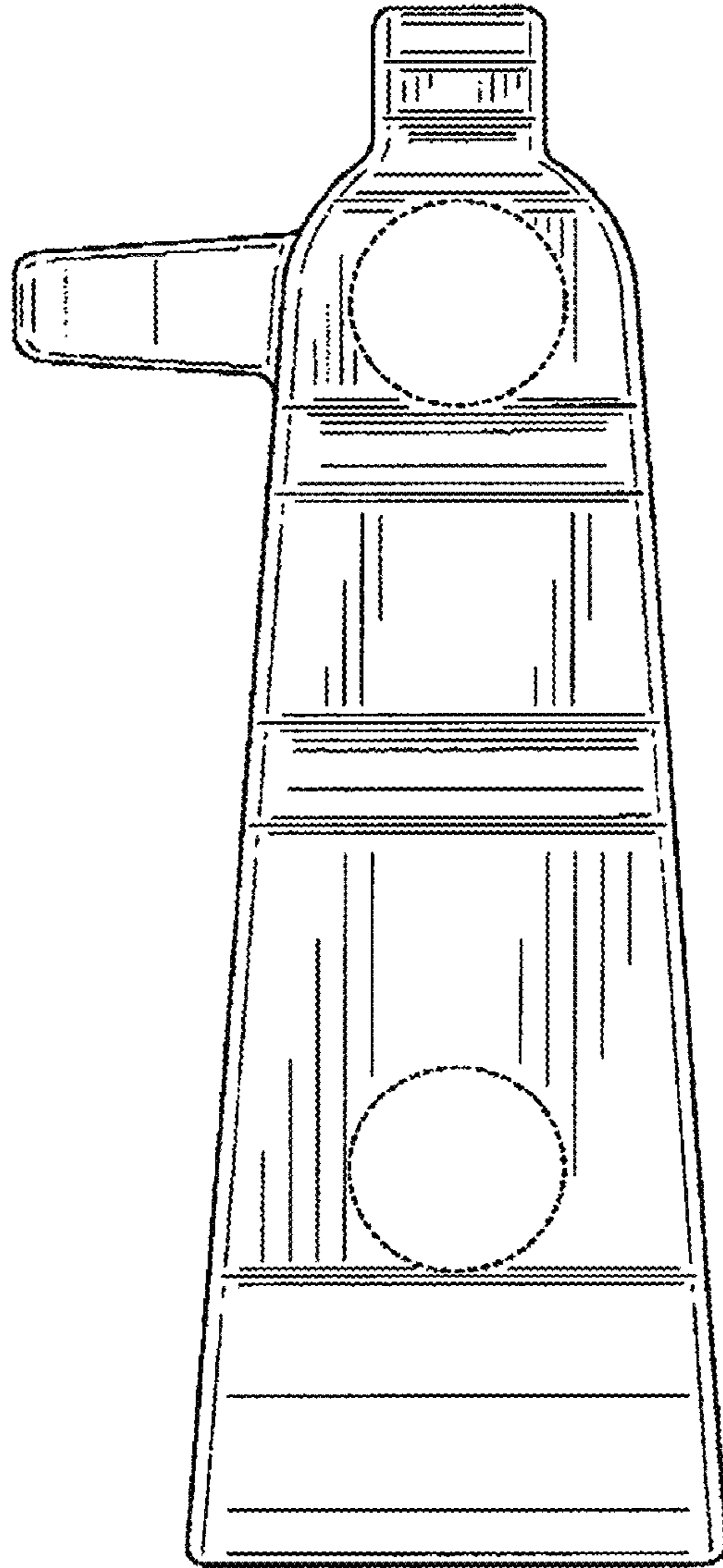


FIG. 2

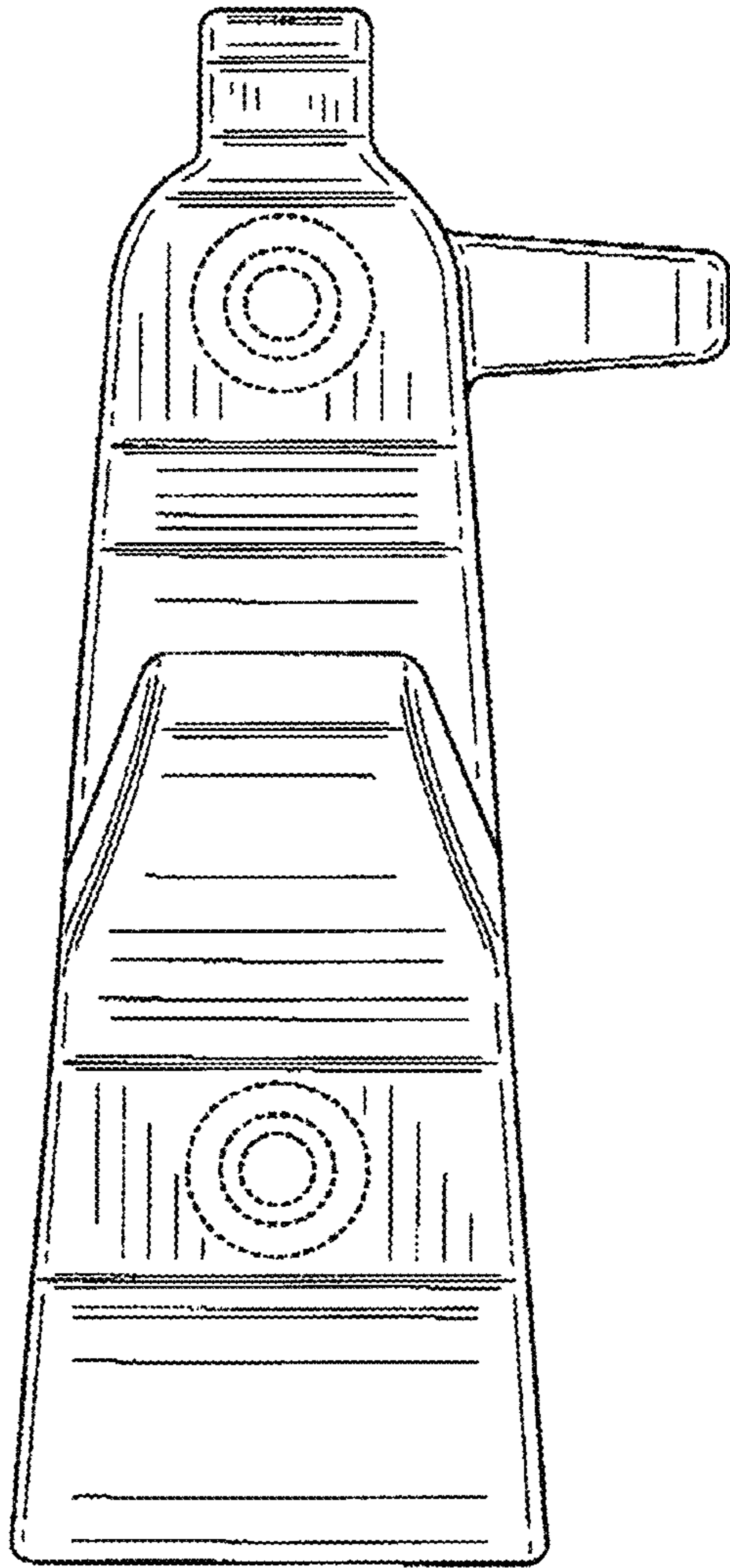


FIG. 3

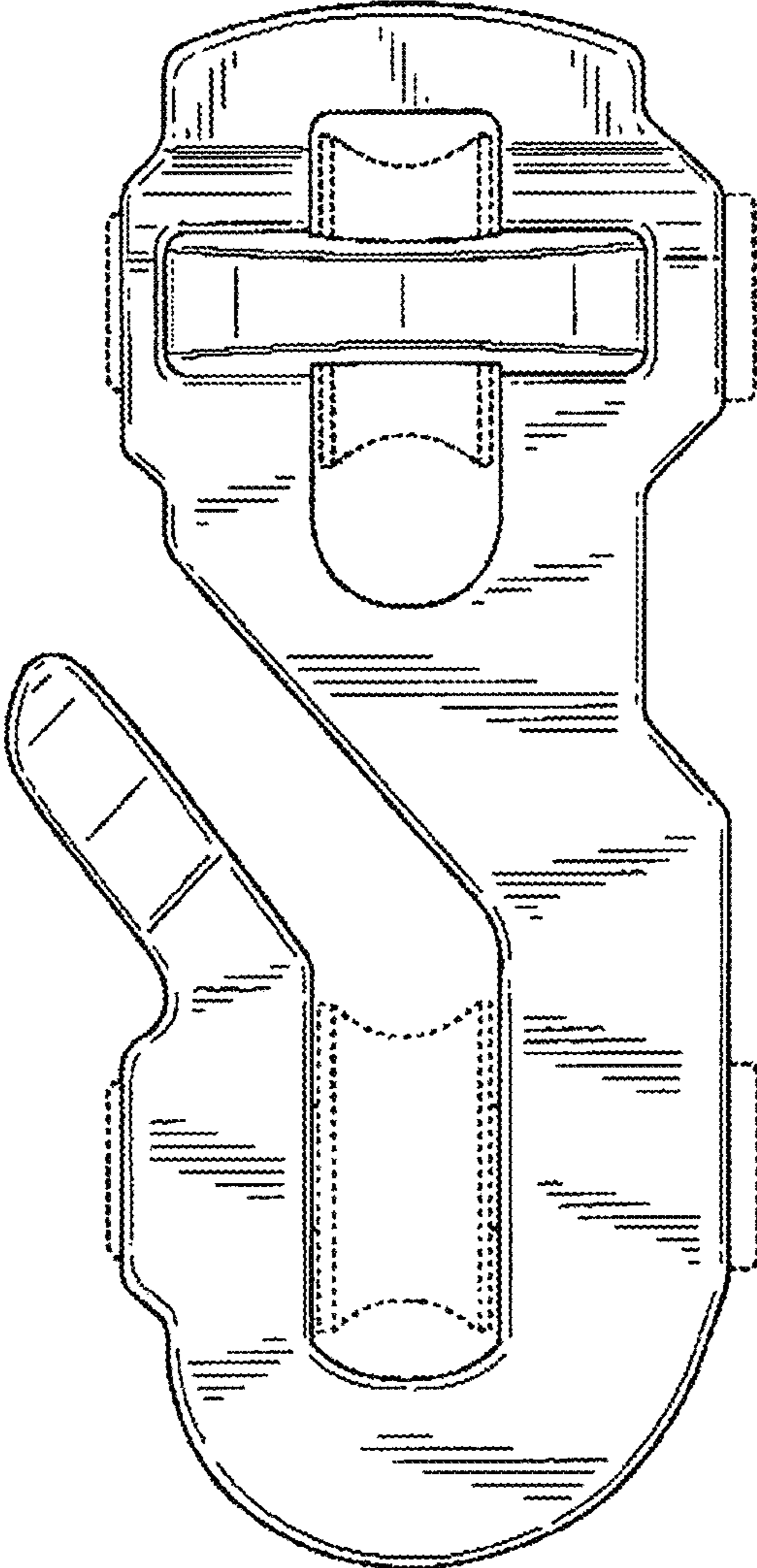


FIG. 4

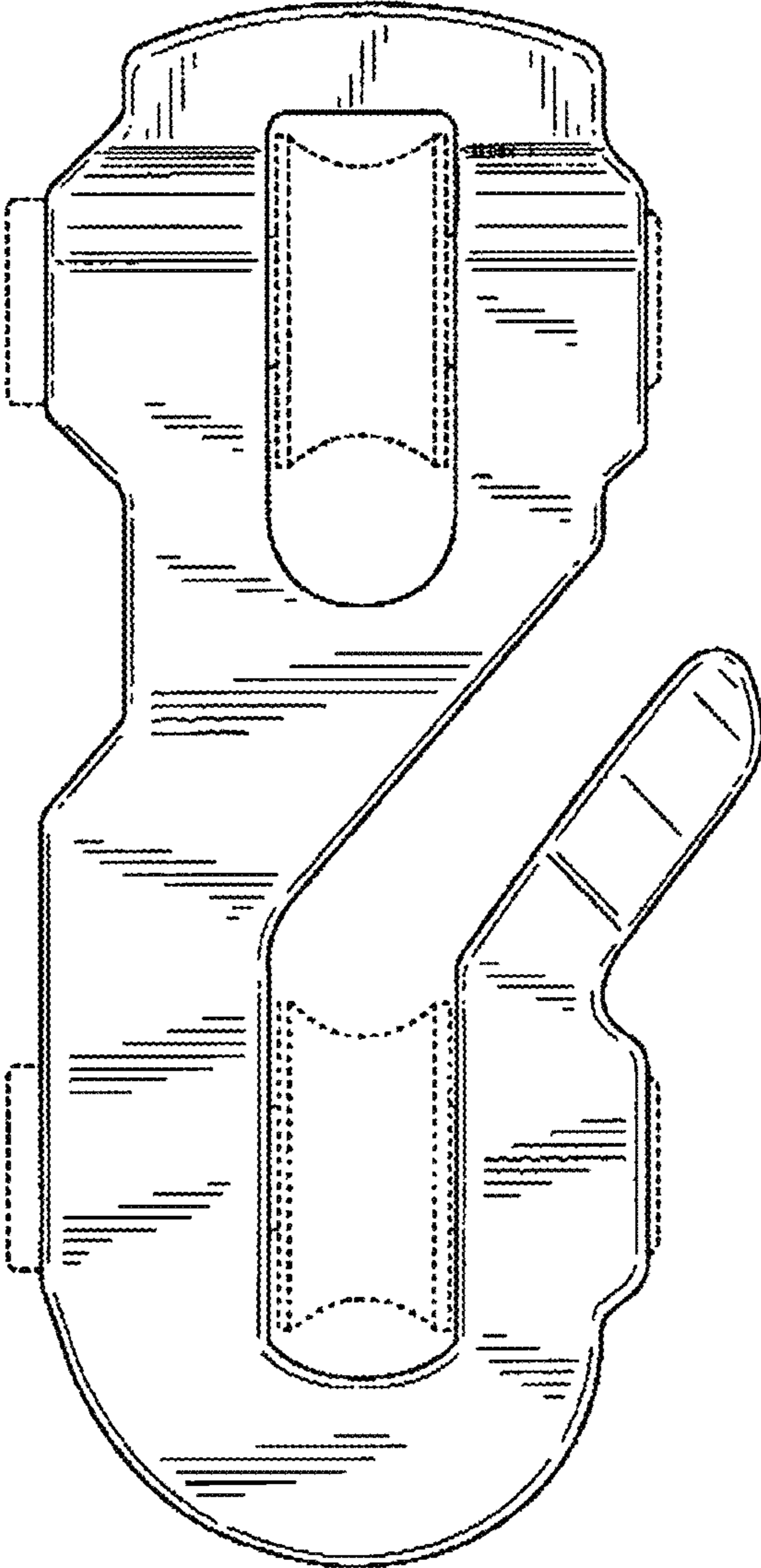


FIG. 5

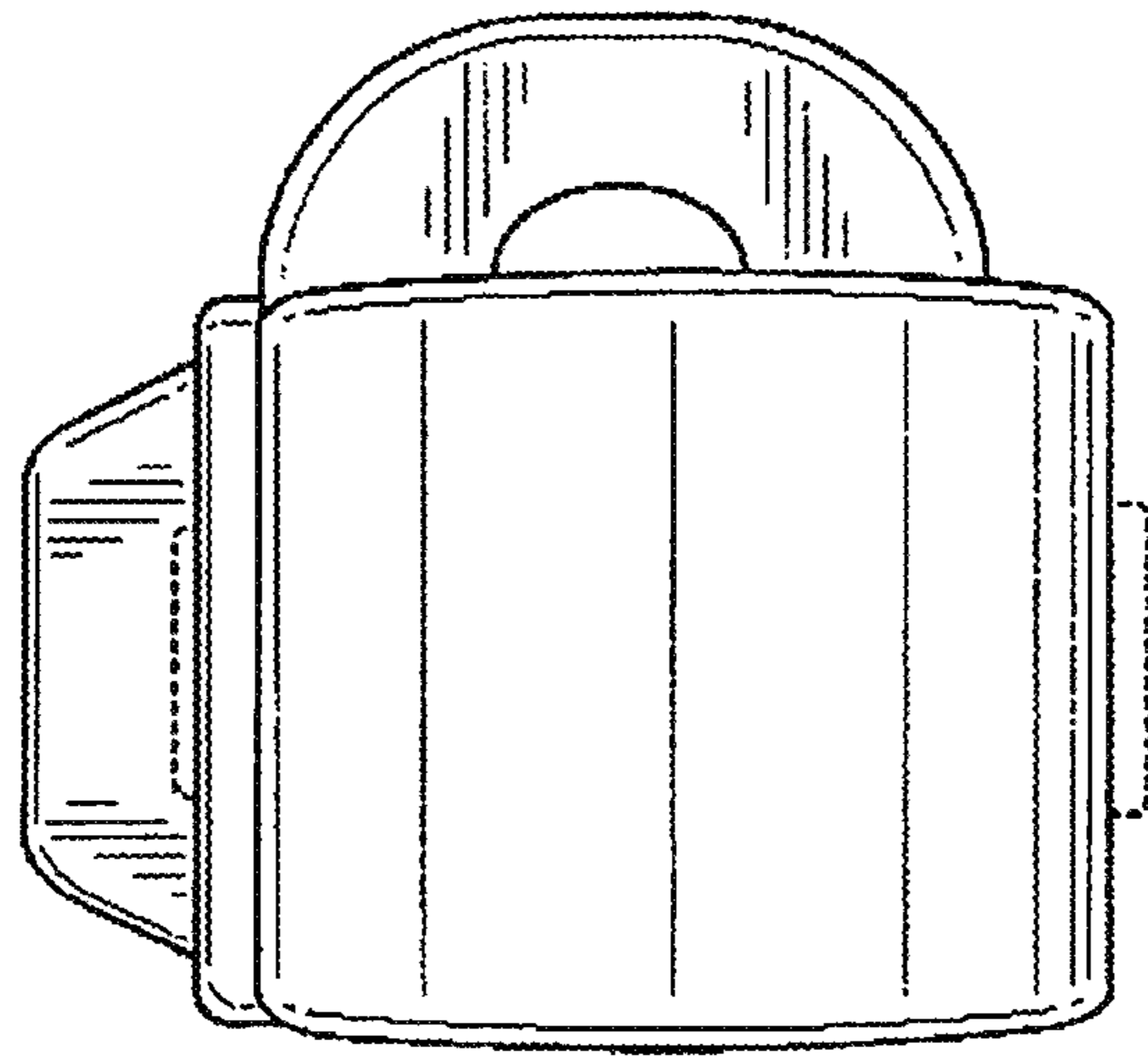


FIG. 6

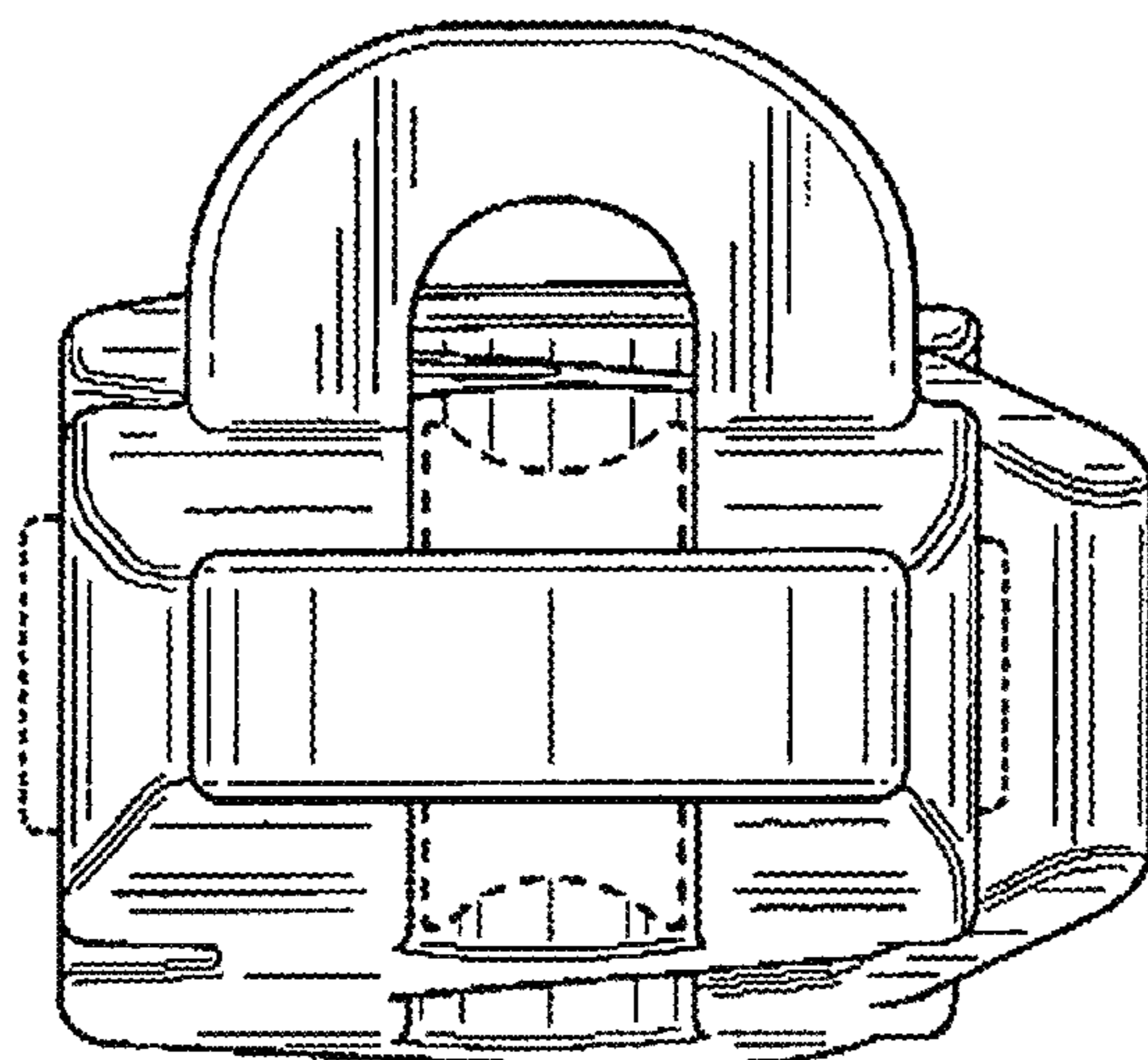


FIG. 7

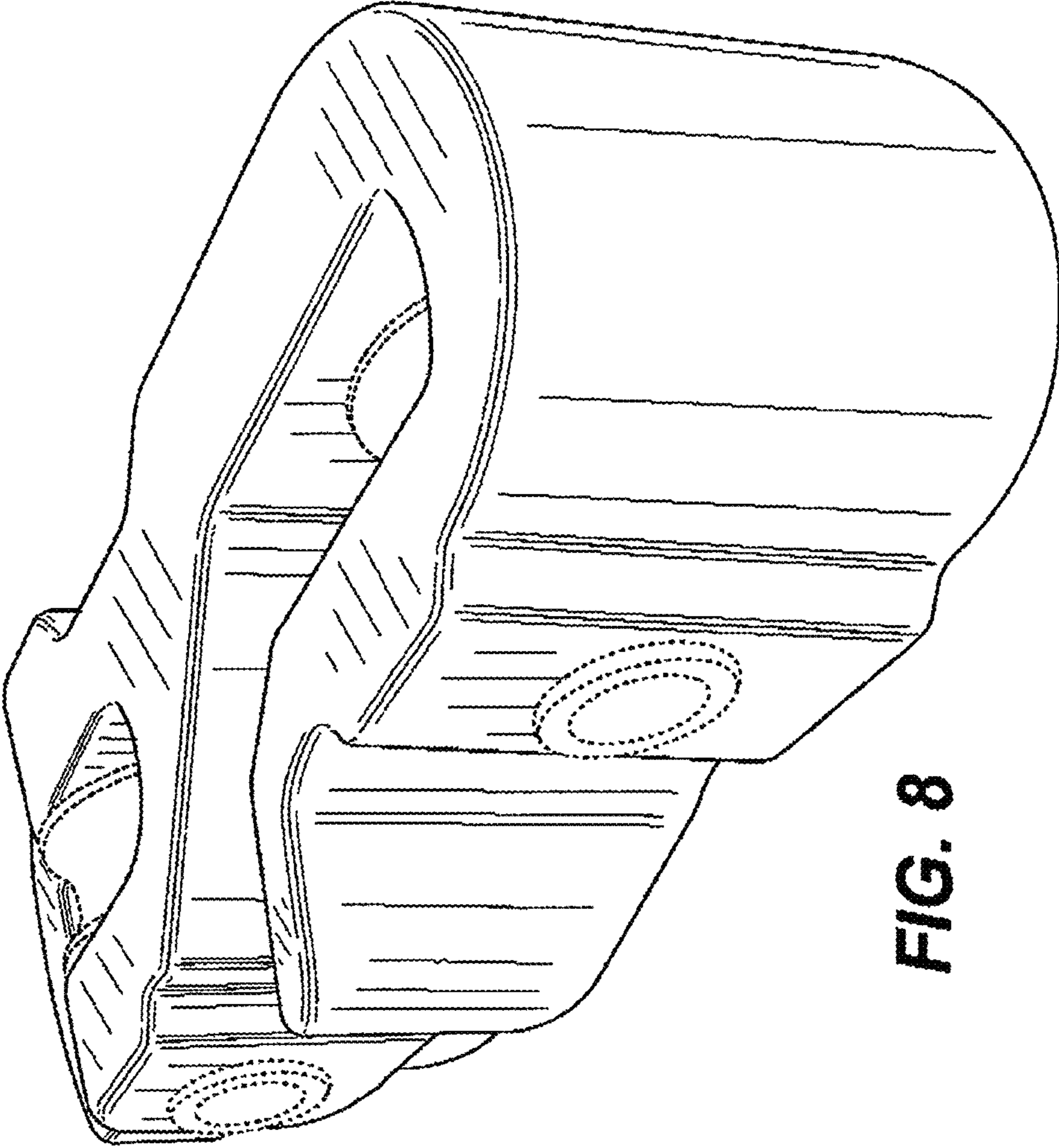


FIG. 8

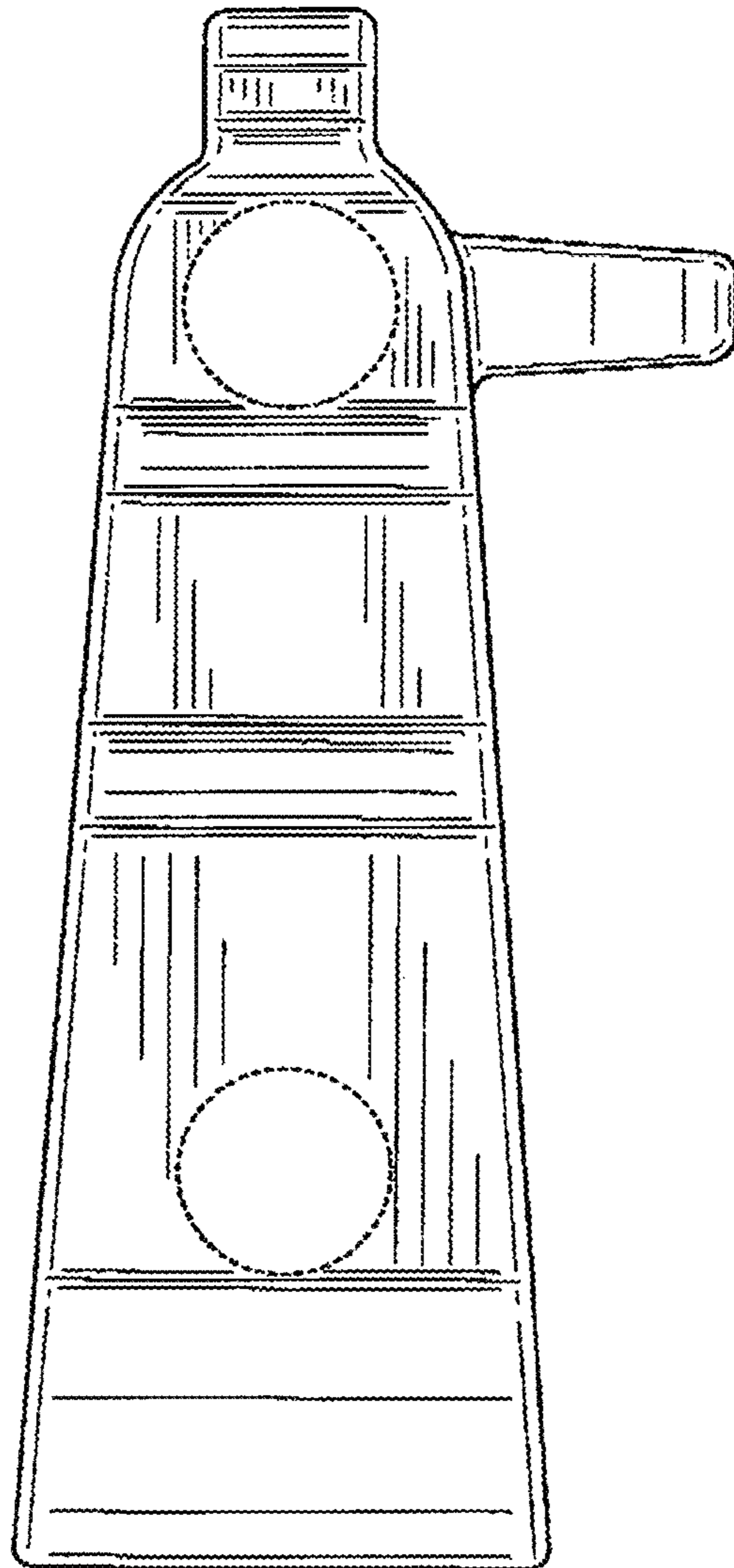


FIG. 9

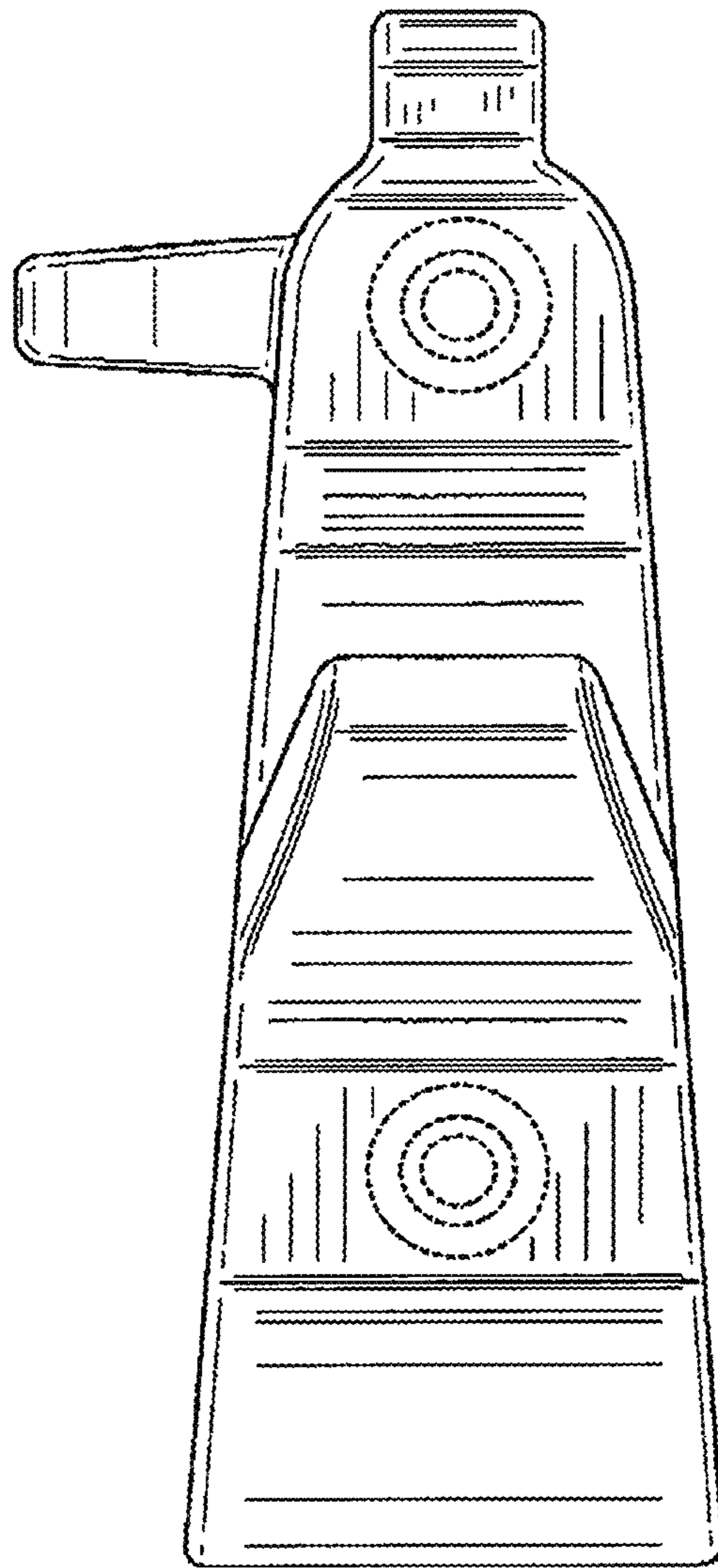


FIG. 10

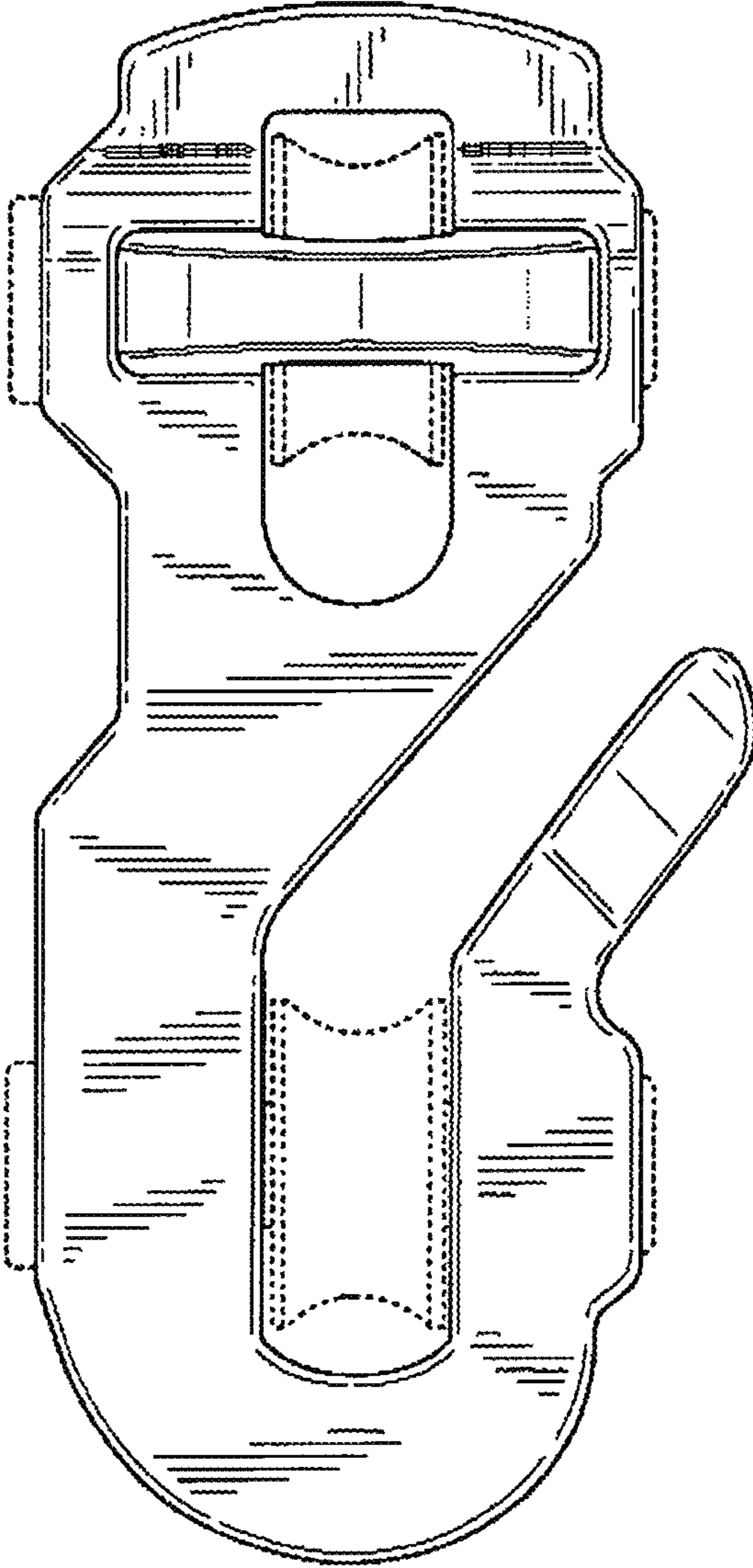


FIG. 11

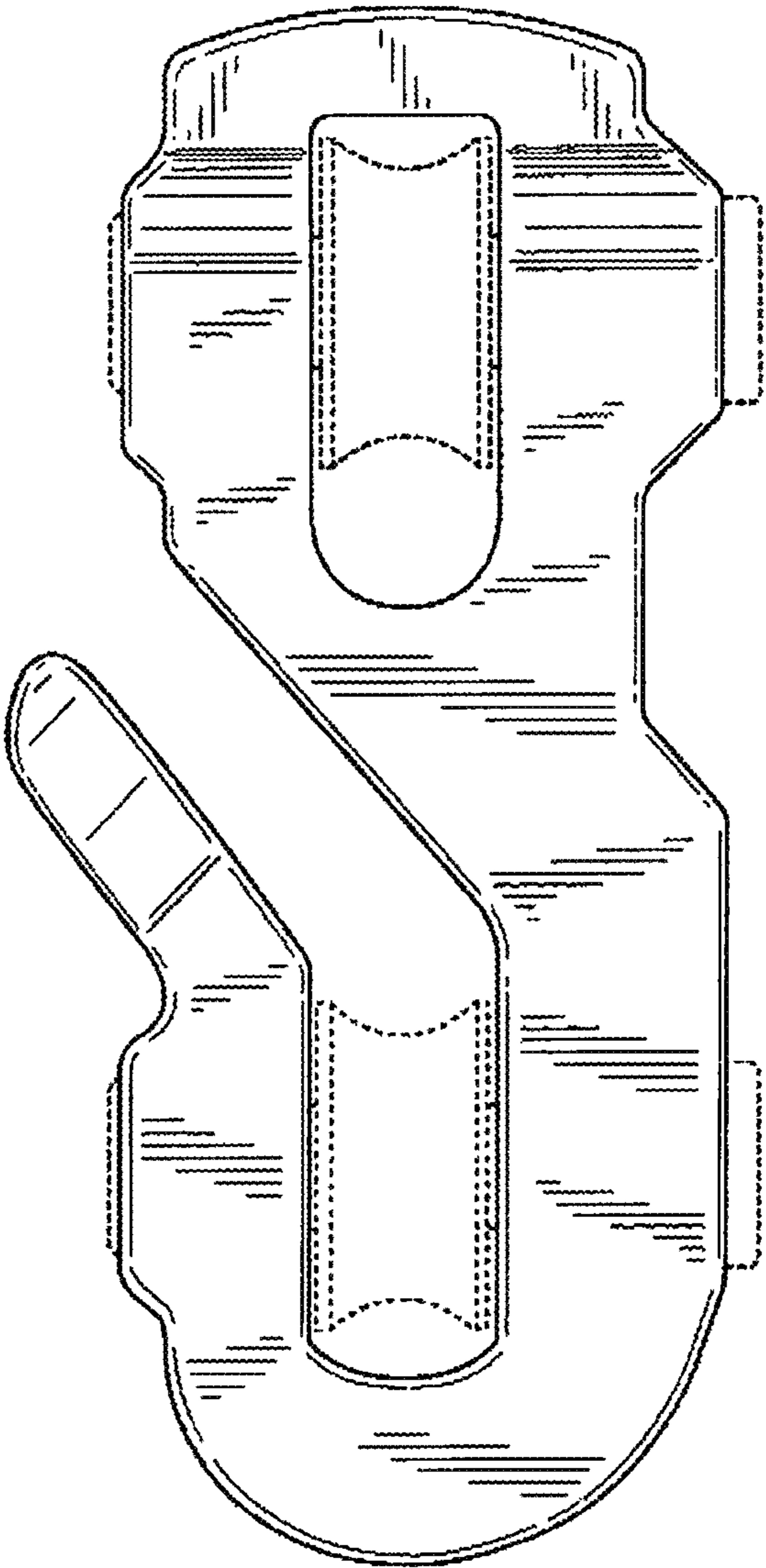


FIG. 12

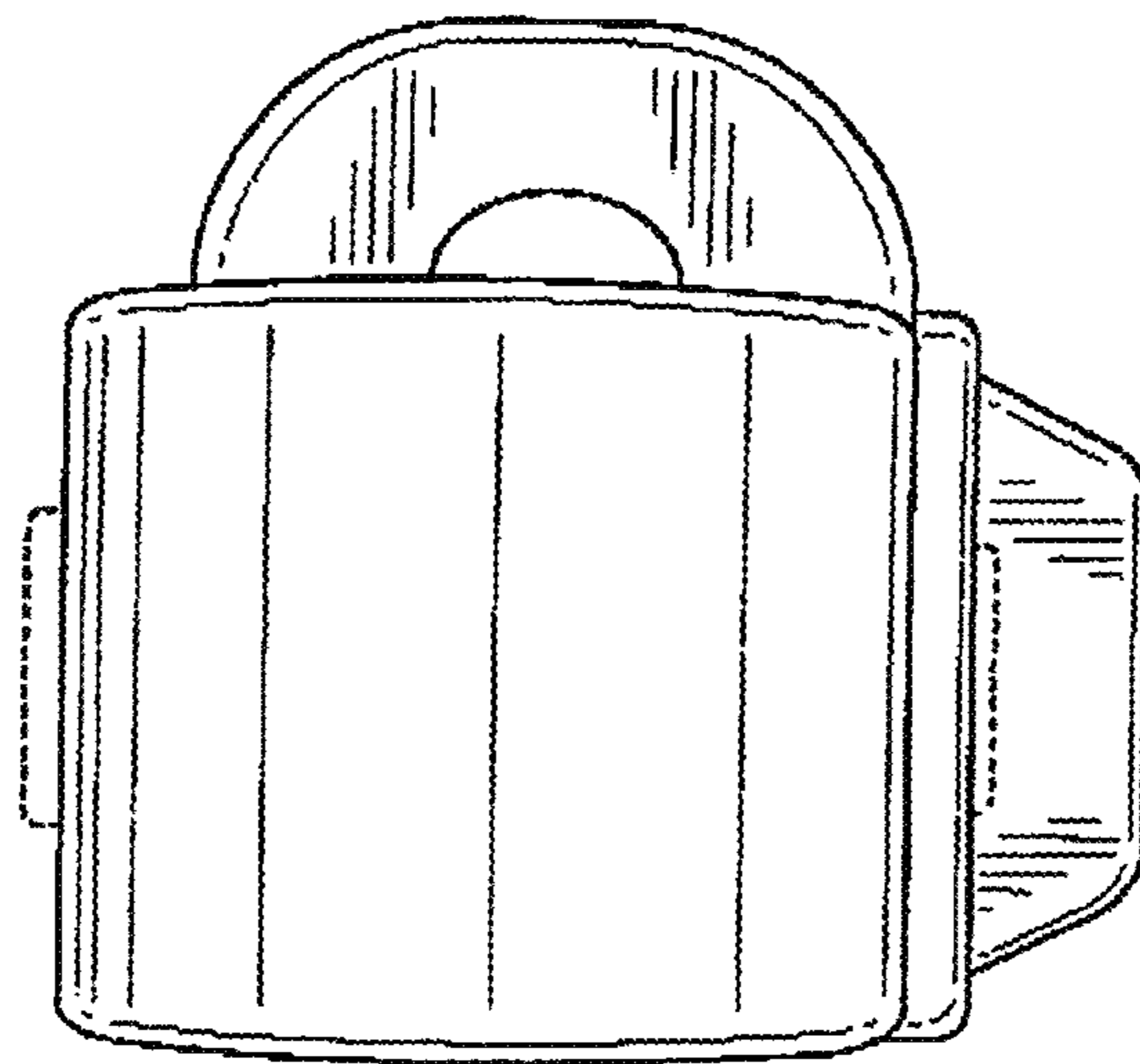


FIG. 13

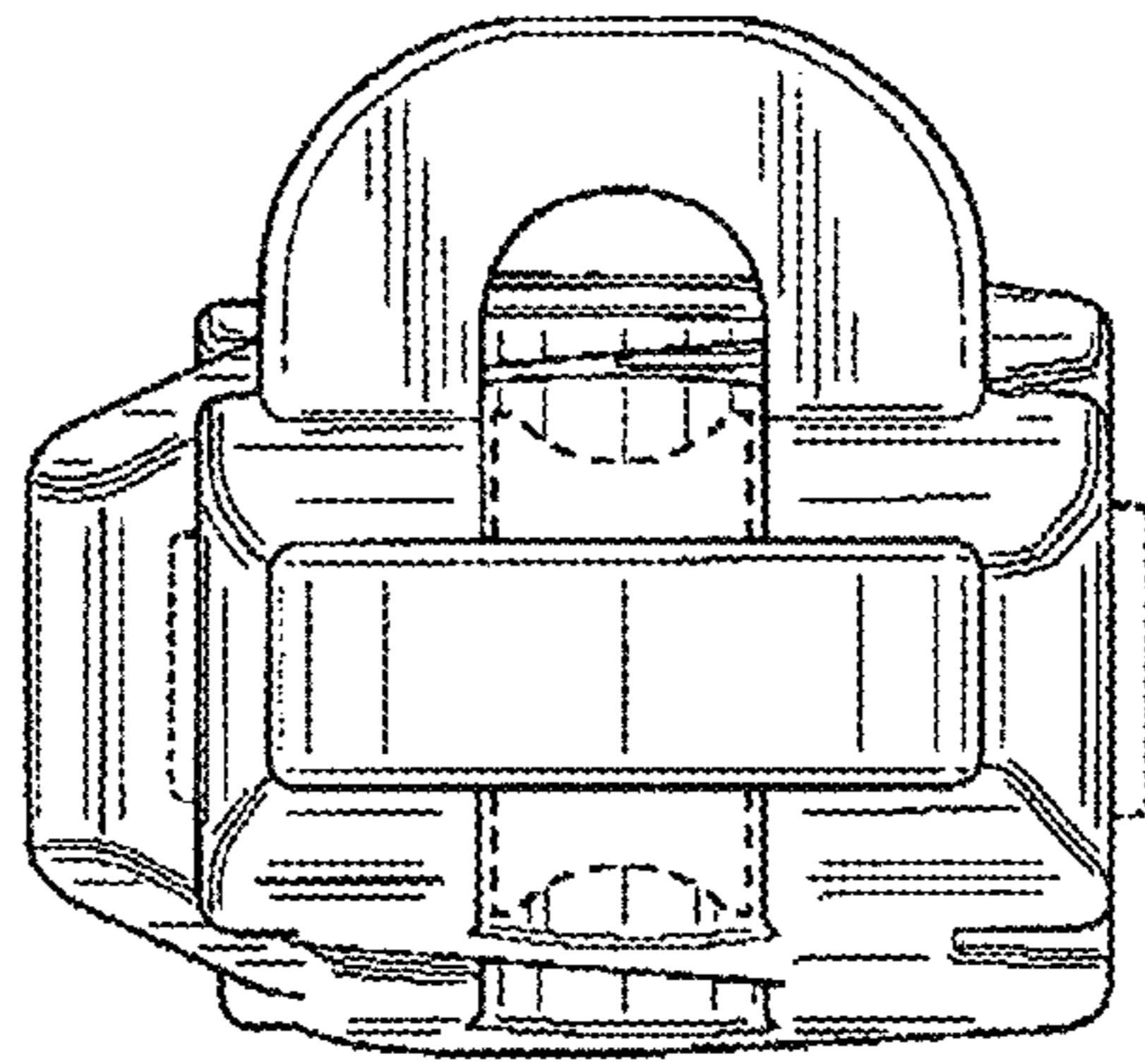


FIG. 14