

US00D797229S

(12) **United States Design Patent** (10) **Patent No.:** **US D797,229 S**  
**Huang** (45) **Date of Patent:** **\*\* Sep. 12, 2017**

(54) **TOY SLING SHOT**  
(71) Applicant: **MerchSource, LLC**, Irvine, CA (US)  
(72) Inventor: **David Huang**, Torrance, CA (US)  
(73) Assignee: **MerchSource, LLC**, Irvine, CA (US)  
(\*\*) Term: **15 Years**  
(21) Appl. No.: **29/530,807**  
(22) Filed: **Jun. 19, 2015**  
(51) **LOC (10) Cl.** ..... **22-01**  
(52) **U.S. Cl.**  
USPC ..... **D22/106**  
(58) **Field of Classification Search**  
USPC ..... D22/106  
CPC ..... F41B 3/02; F41B 7/08; F41B 3/005  
See application file for complete search history.

5,579,749 A 12/1996 Wilkinson  
5,803,067 A 9/1998 Ellenburg et al.  
5,836,839 A 11/1998 Kay  
5,996,565 A 12/1999 Whitmer  
7,823,571 B2 11/2010 Williamson et al.  
D728,053 S \* 4/2015 Li ..... D22/106  
9,395,141 B2 \* 7/2016 Cummings ..... F41B 5/0094  
D773,580 S \* 12/2016 Huang ..... D22/106  
2008/0156307 A1 7/2008 Myers  
2009/0301455 A1 12/2009 Yamashiro et al.  
2011/0232617 A1 9/2011 Raymond  
2013/0055994 A1 3/2013 Walterscheid  
2017/0064927 A1 \* 3/2017 Ren ..... A63H 33/18

\* cited by examiner

*Primary Examiner* — Michael A Pratt  
(74) *Attorney, Agent, or Firm* — Avyno Law P.C.

(57) **CLAIM**

I claim the ornamental design for a toy sling shot, as shown and described.

(56) **References Cited**

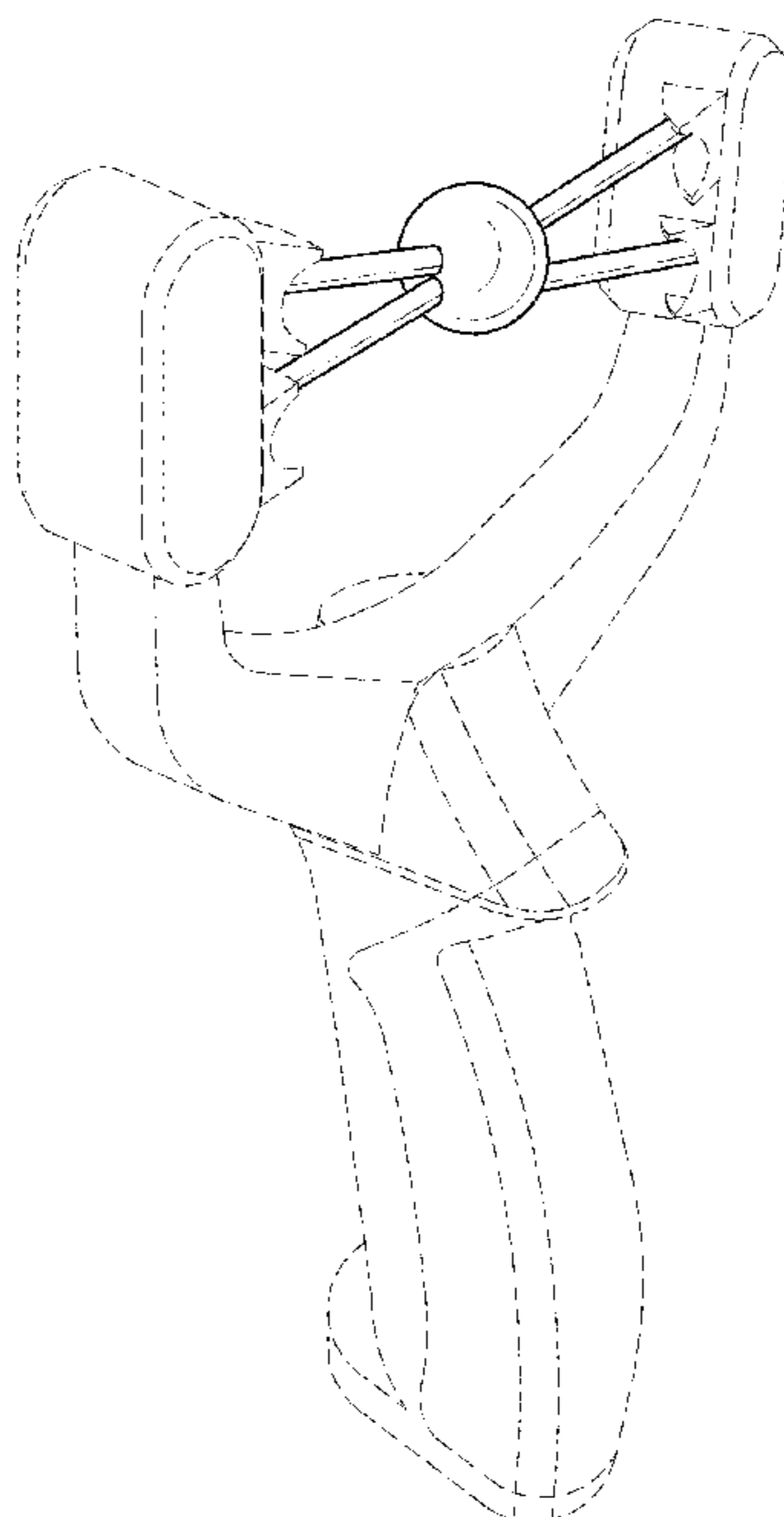
U.S. PATENT DOCUMENTS

1,170,948 A 2/1916 Achershaug  
1,345,561 A 7/1920 Smithwick  
D162,331 S \* 3/1951 Miller et al. .... 124/20.1  
2,715,895 A \* 8/1955 Loveless ..... F41B 3/02  
124/20.3  
4,250,861 A 2/1981 Ellenburg  
4,922,884 A 5/1990 Ford  
5,127,389 A 7/1992 Magnuson  
5,154,515 A 10/1992 Haynes  
5,190,021 A 3/1993 Hull et al.  
5,279,276 A \* 1/1994 Nagel ..... F41B 3/02  
124/20.1  
5,301,954 A 4/1994 Wotring  
D352,337 S \* 11/1994 Nagel ..... D22/106  
D353,182 S \* 12/1994 Rubin ..... D22/106  
5,427,084 A 6/1995 Arnold et al.

**DESCRIPTION**

FIG. 1 is a front perspective view of a toy sling shot.  
FIG. 2 is a rear perspective view of the toy sling shot of FIG. 1.  
FIG. 3 is a front view of the toy sling shot of FIG. 1.  
FIG. 4 is a rear view of the toy sling shot of FIG. 1.  
FIG. 5 is a side view of the left side of the toy sling shot of FIG. 1.  
FIG. 6 is a side view of the right side of the toy sling shot of FIG. 1.  
FIG. 7 is a top view of the toy sling shot of FIG. 1; and, FIG. 8 is a bottom view of the toy sling shot of FIG. 1.  
The dashed lines in various figures are for illustrative purposes only and form no part of the claimed design.

**1 Claim, 6 Drawing Sheets**



*FIG. 1*

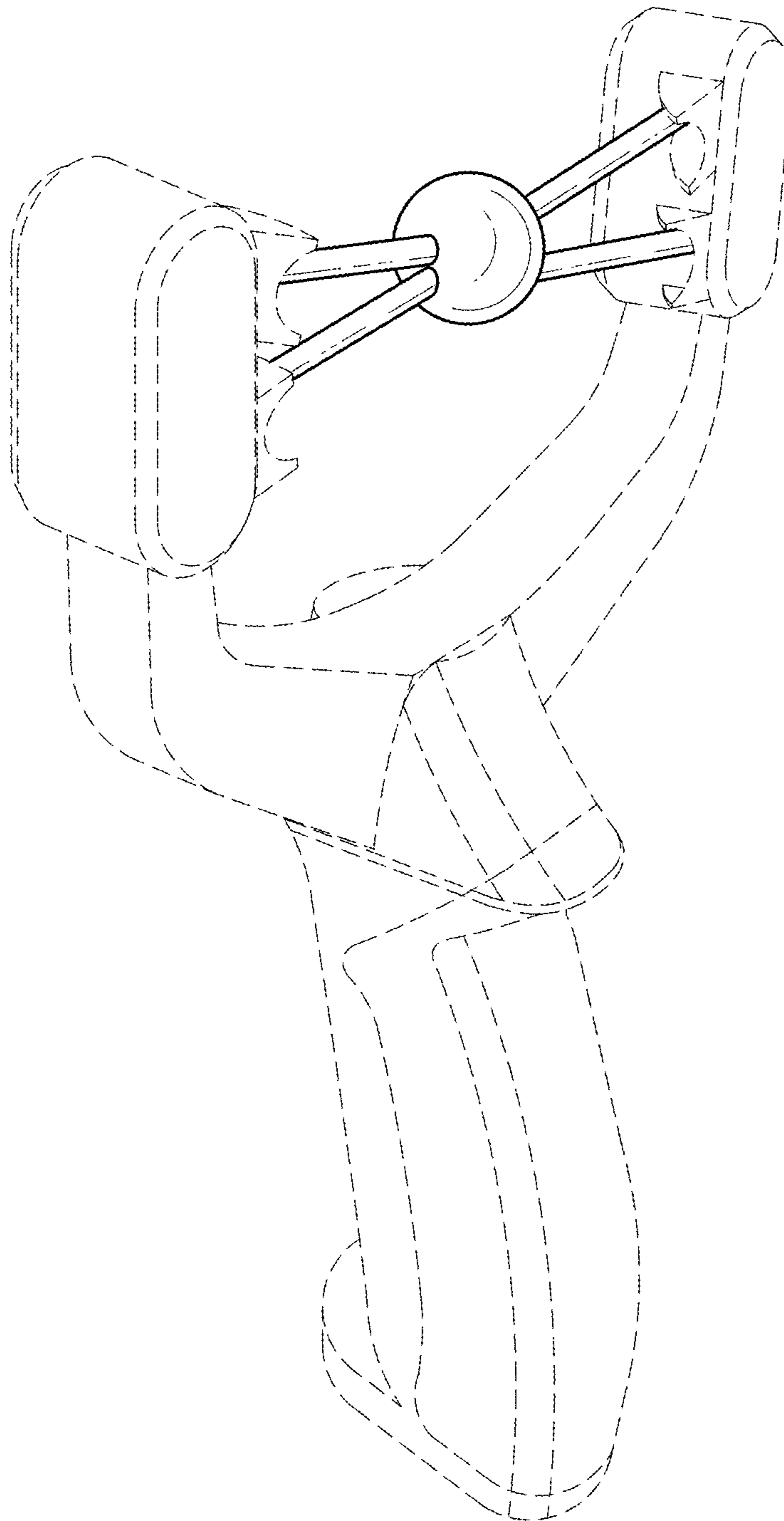
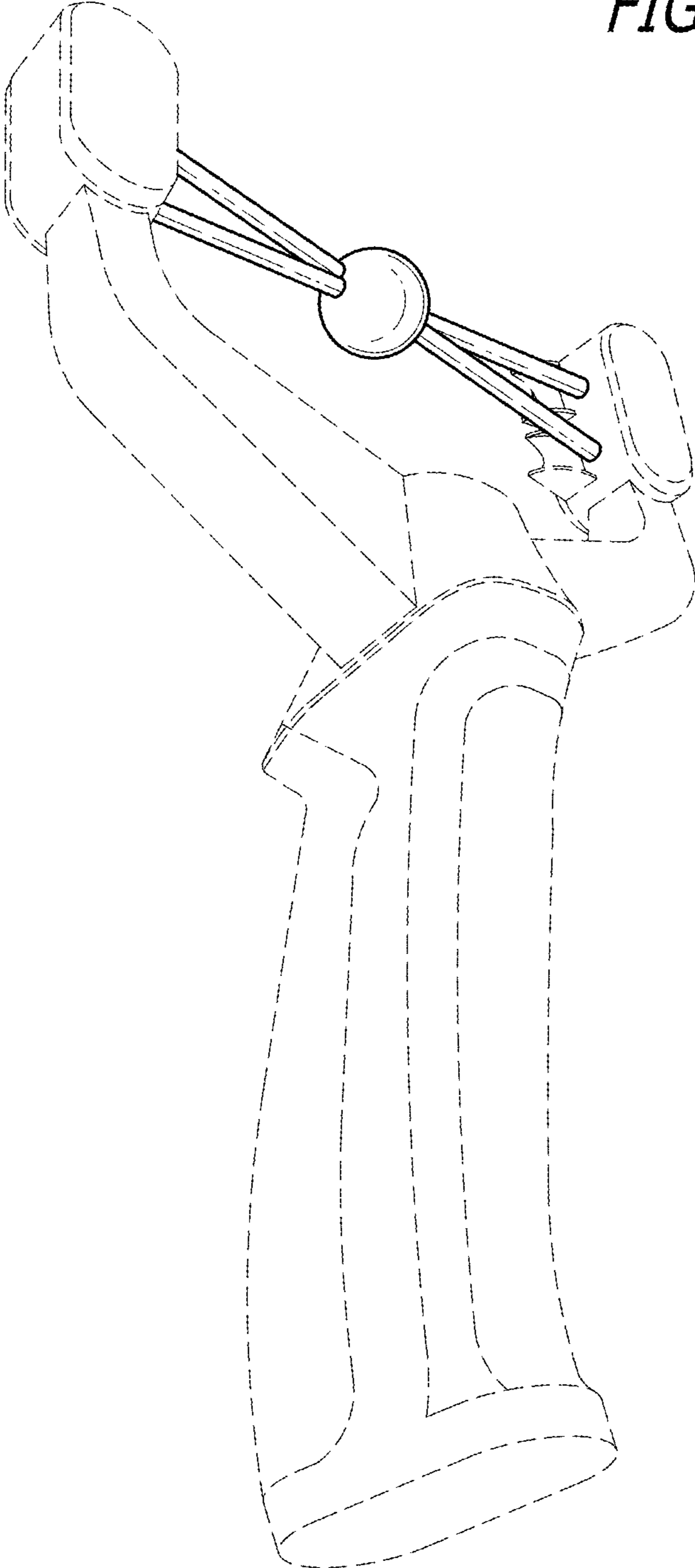
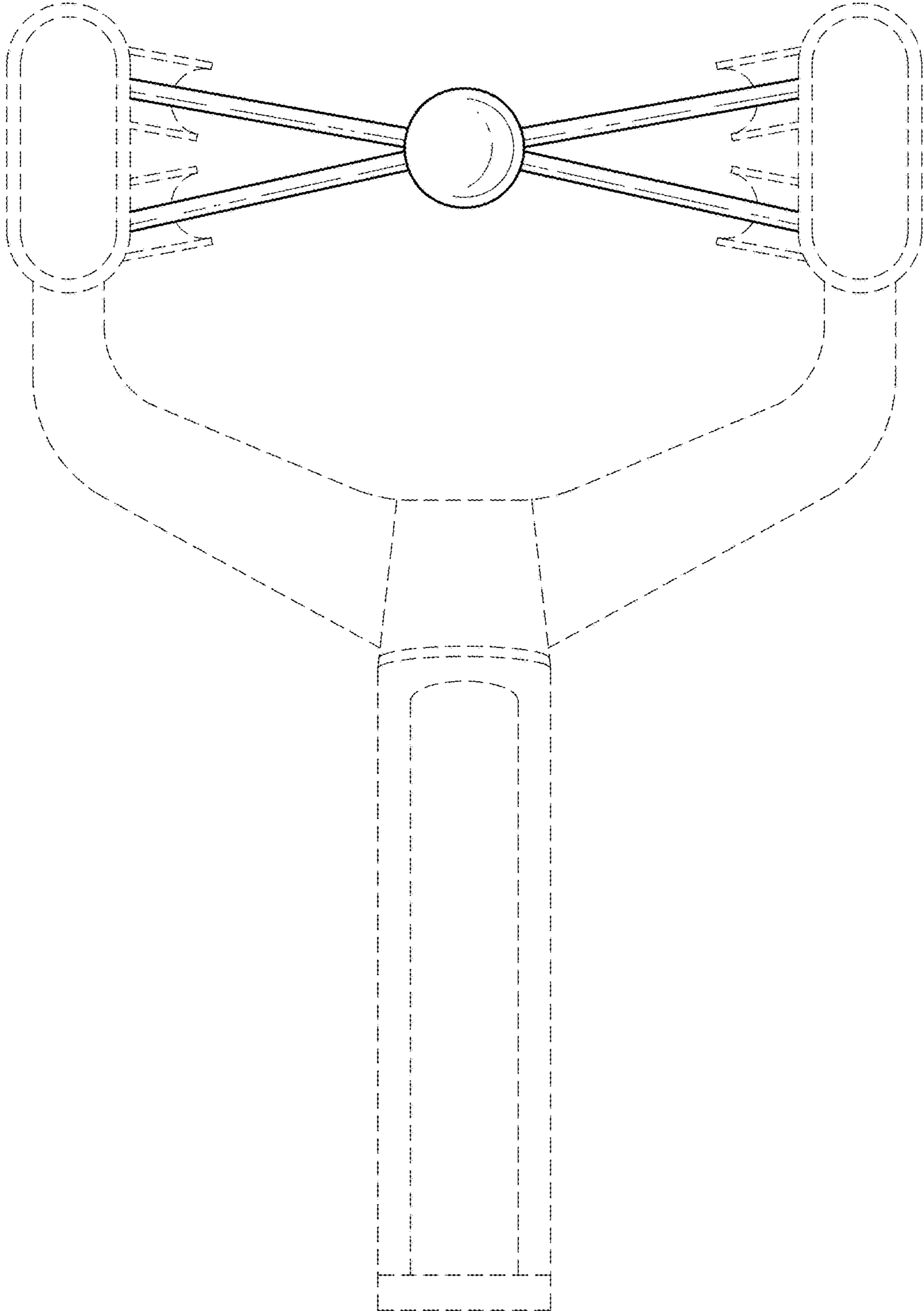


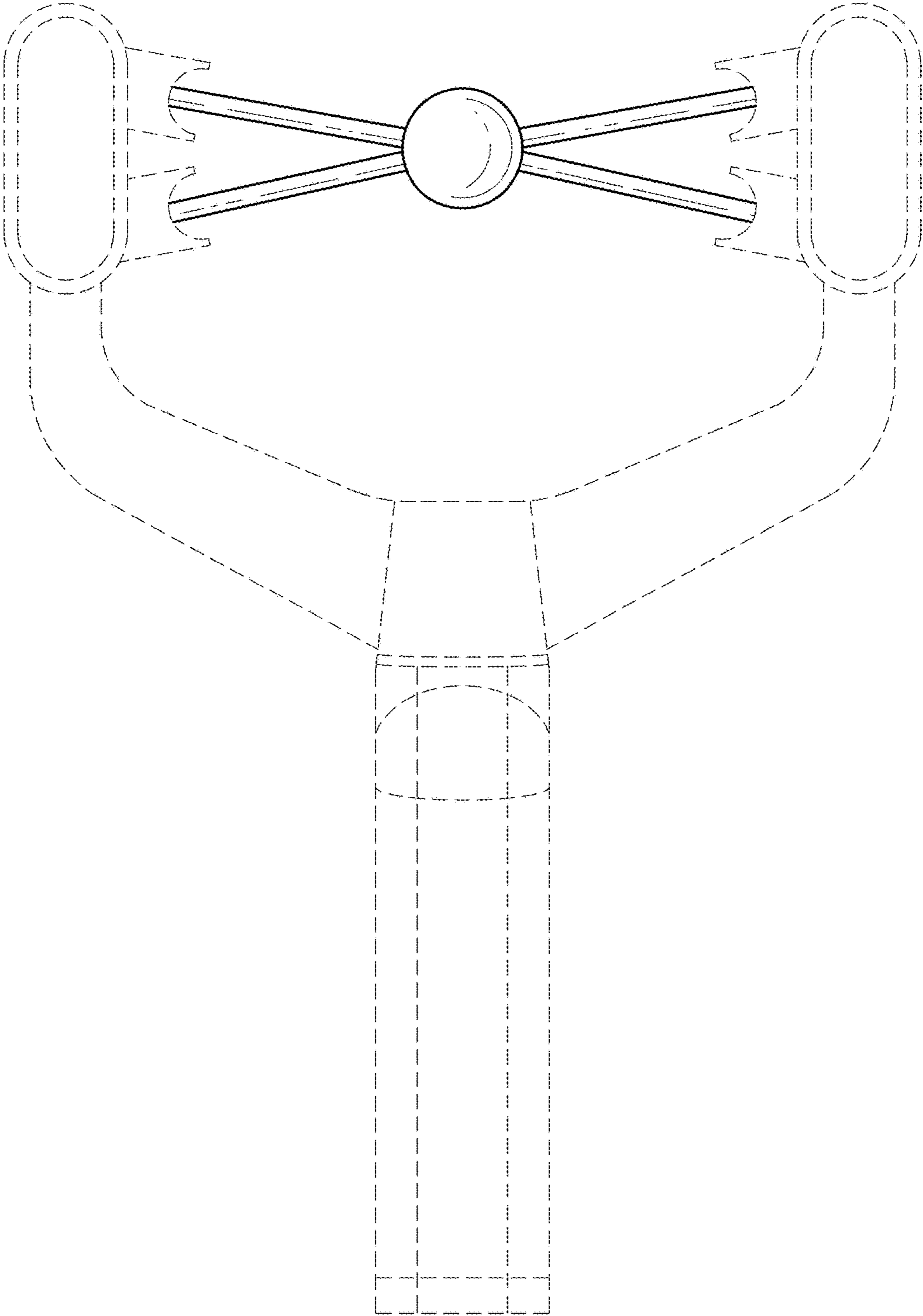
FIG. 2

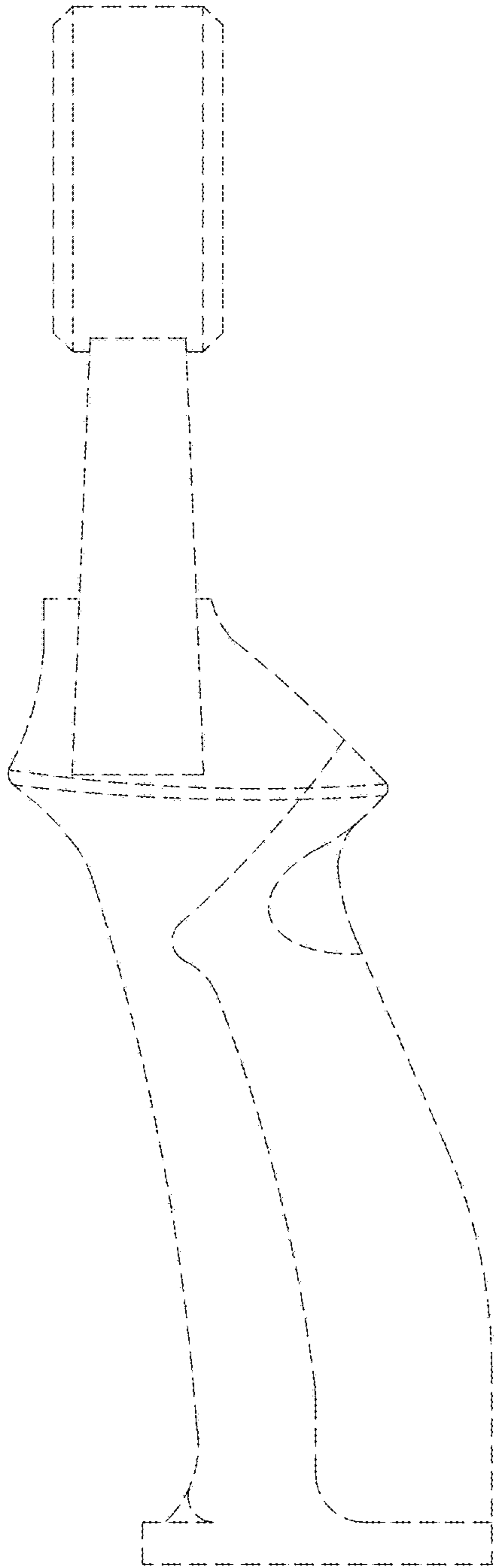


*FIG. 3*

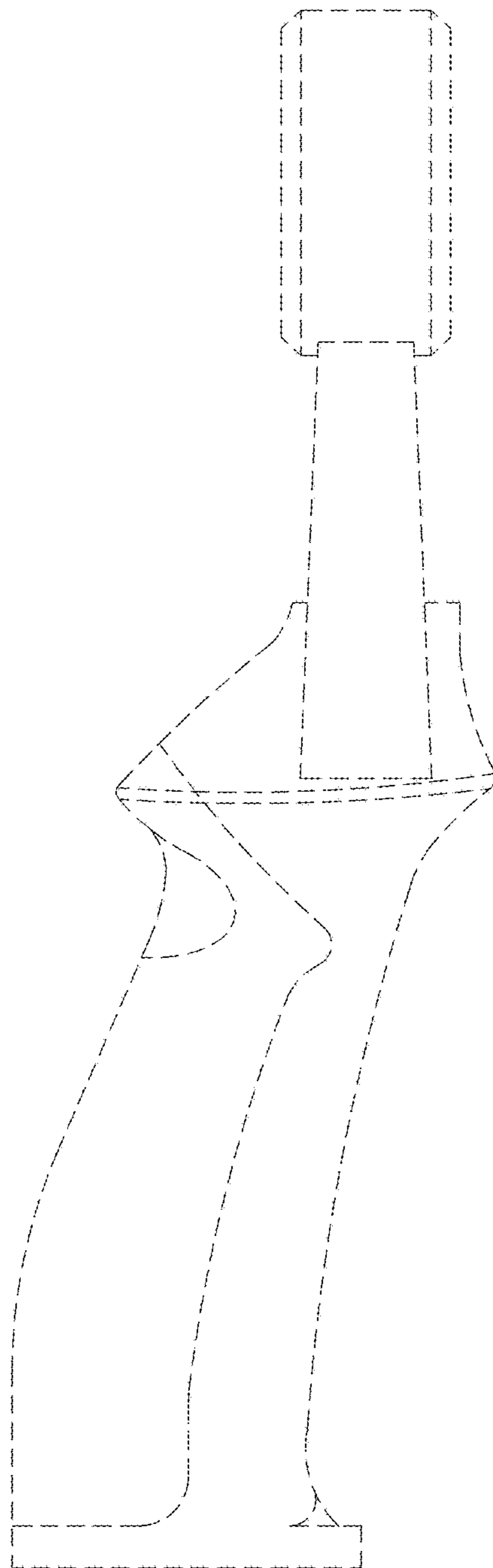


*FIG. 4*

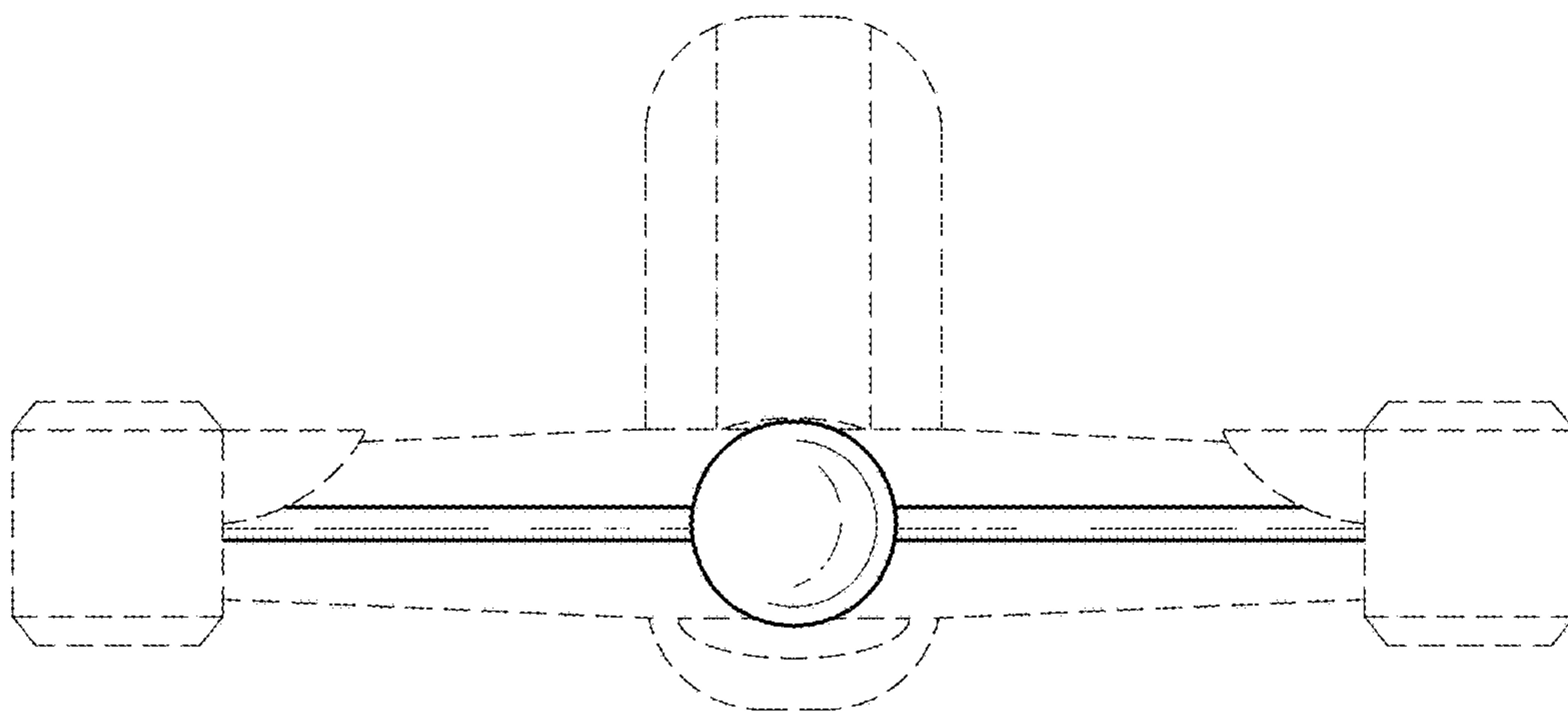




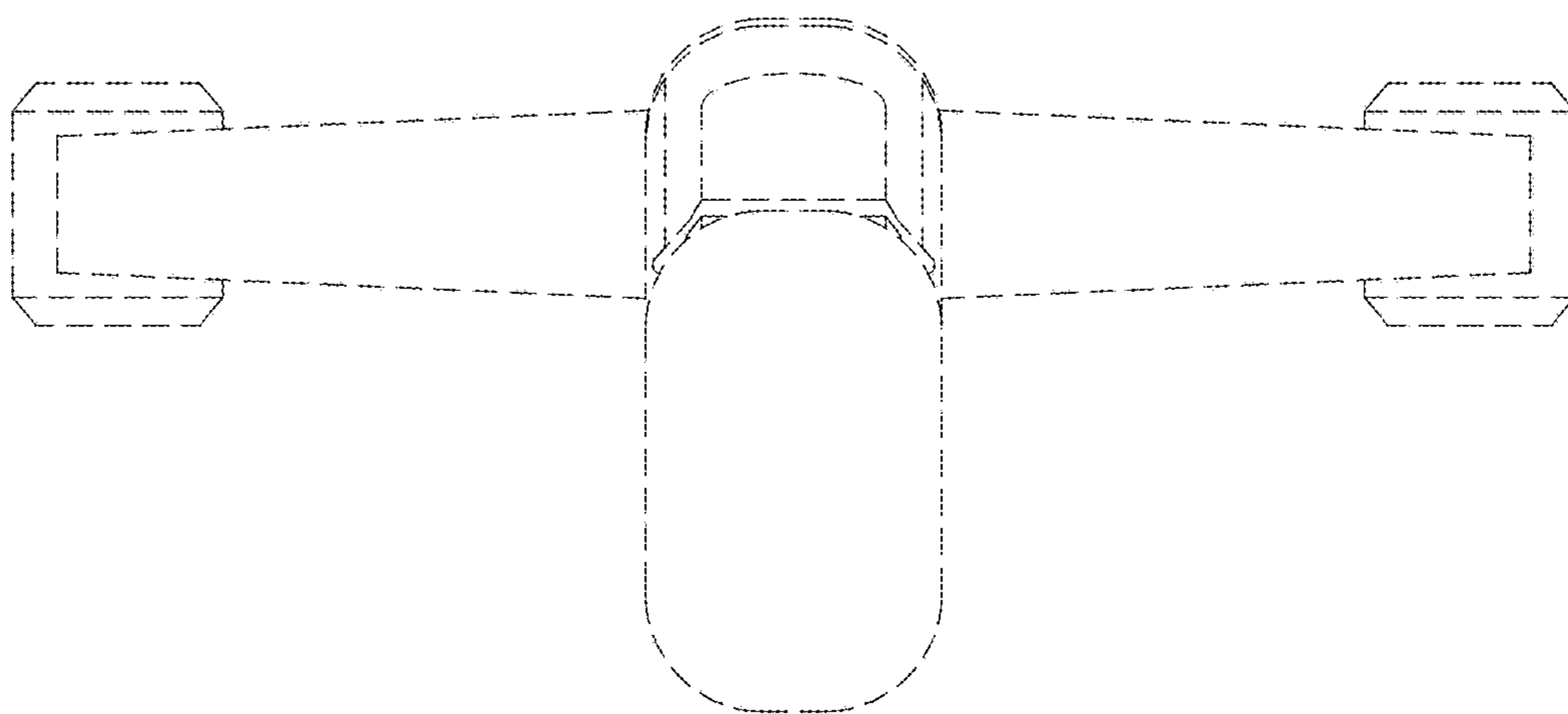
*FIG. 5*



*FIG. 6*



*FIG. 7*



*FIG. 8*